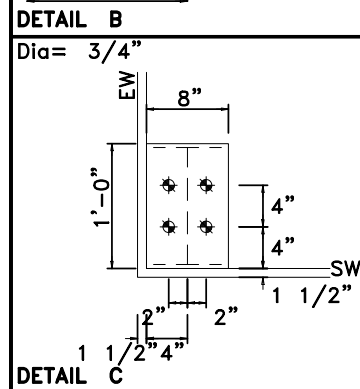
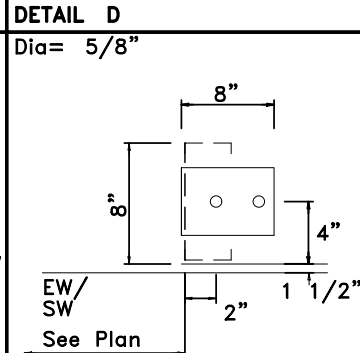
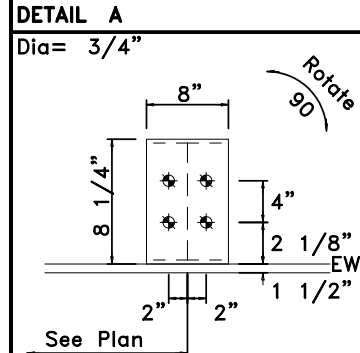
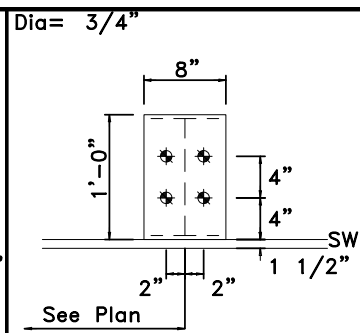
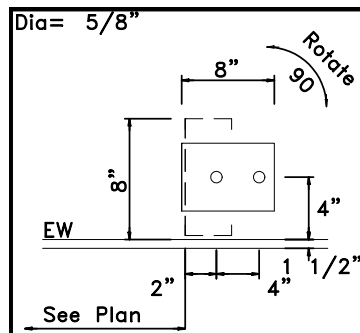
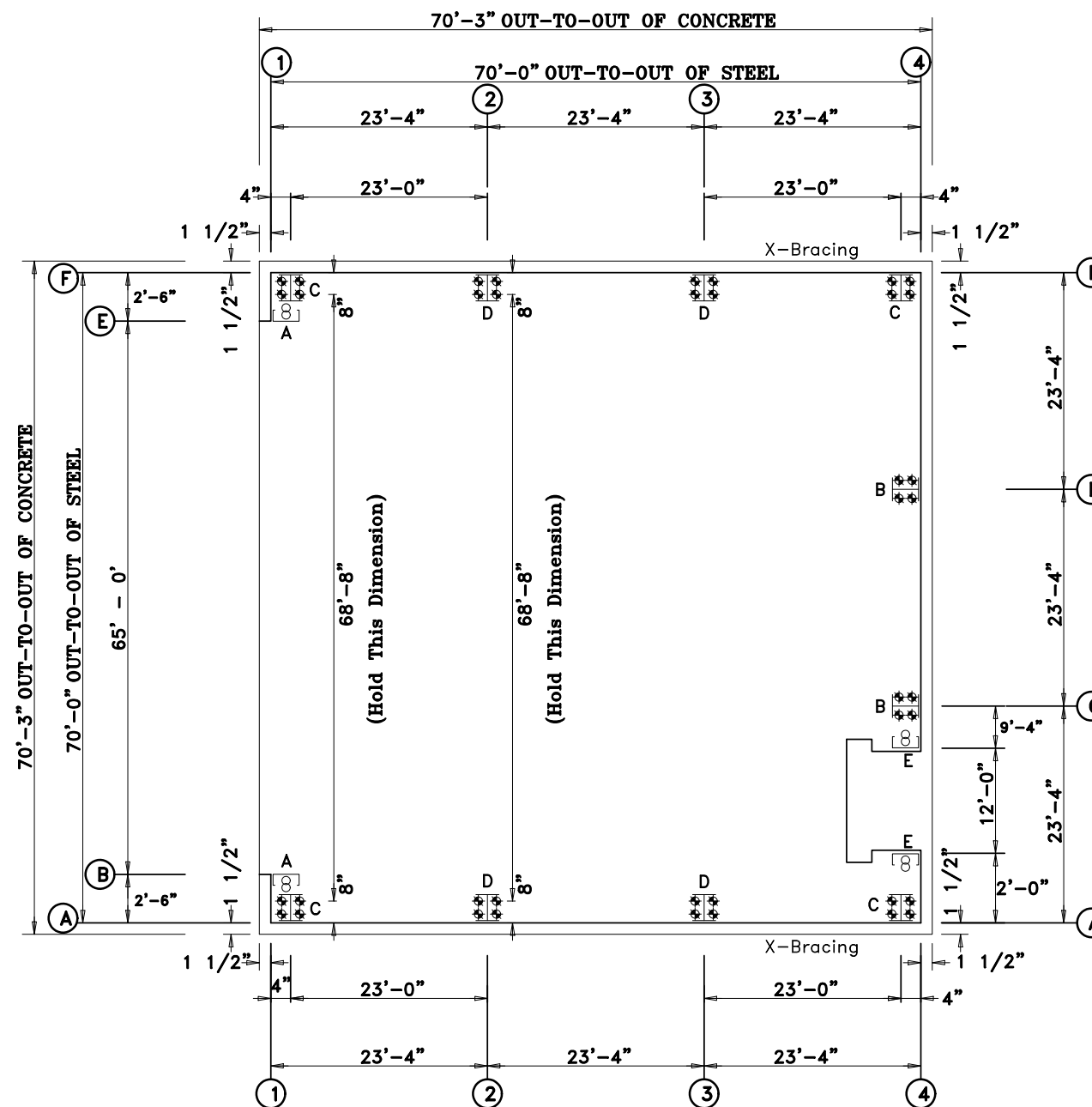


Standard Structures, Inc.

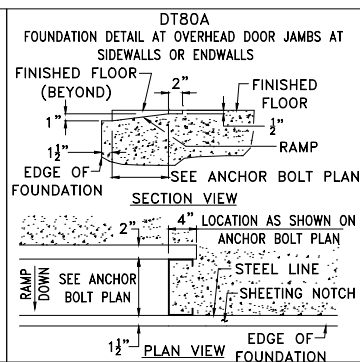
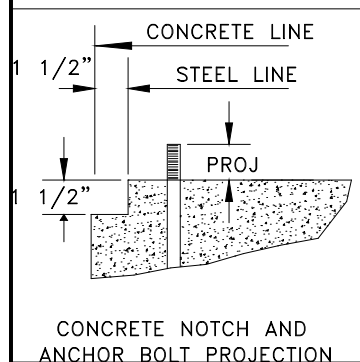
Job #25014
Final Design



ANCHOR BOLT SUMMARY					
Qty	Locate	Dia (in)	Type	Total Len (in)	Proj (in)
4	Jamb	5/8"	A307	12.0	1.50
4	Endwall	5/8"	A307	18.0	1.50
8	Endwall	3/4"	A307	18.0	2.00
32	Frame	3/4"	A307	18.0	2.00



ANCHOR BOLT PLAN
NOTE: All Base Plates @ 100'-0" (U.L.N.)



APPROVAL DRAWINGS

- APPROVED AS DRAWN
- APPROVED AS NOTED
- NOT APPROVED

____ INITIAL

Please Check And Approve All Dimensions
And Conditions. STANDARD STRUCTURES
Must Be Notified Of Any Changes.

SSI STANDARD STRUCTURES INC.
MANUFACTURER OF METAL BUILDINGS & COMPONENTS

P.O. BOX 1912
ODESSA, TX. 79760
1-800-240-0335



ACCREDITED™
Metal Building Systems
AC 472

APPROVAL & PERMIT

JOB NAME: Cozart Metal Building Systems

PROJECT NAME: Hernandez Hangar #2

JOB LOCATION: Cleburne, Texas 76033

DRAWING TITLE: ANCHOR BOLT PLAN

DATE: 3/19/25

DET:

JOB NO.: 25014

PG.: E-1

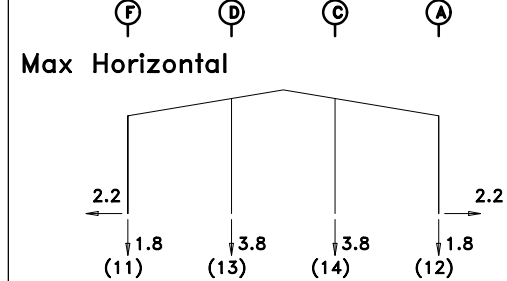
NOTES FOR REACTIONS

Building reactions are based on the following building data:

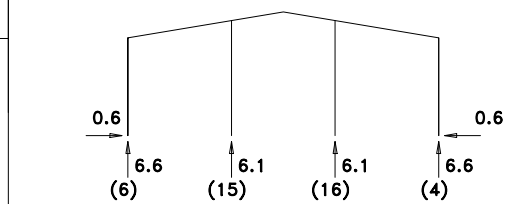
- Width (ft) = 70.0
- Length (ft) = 70.0
- Eave Height (ft) = 22.0
- Roof Slope (rise/12) = 2.00/2.00
- Roof Dead Load (psf) = 2.0
- Roof Live Load (psf) = 20.0
- Frame Live Load (psf) = 12.0
- Collateral Load (psf) = 3.0
- Snow Load (psf) = 3.5
- Minimum Snow (psf) = 5.0
- Wind Speed (mph) = 108.0
- Wind Code = 2018 IBC
- Exposure = C
- Closure = Enclosed
- Internal Wind Coeff = -0.18, +0.18
- Risk Category = II - Normal
- Importance - Seismic = 1.00
- Seismic Design Category = B
- Seismic Coeff (Sms) = 0.12

RIGID FRAME REACTIONS (k)

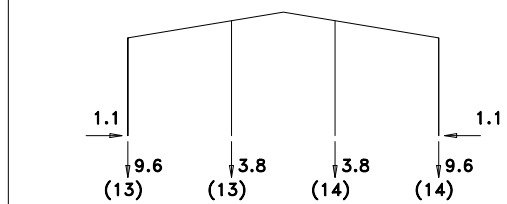
⊙ 4



Max +Vertical



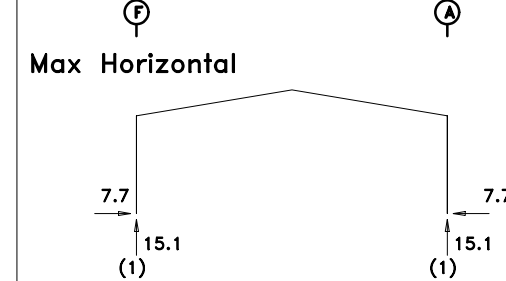
Max -Vertical



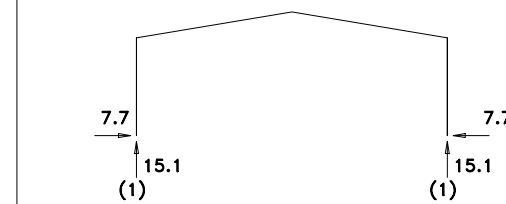
- (4) Dead+Collateral+0.75Live+0.45Wind_Long1R
- (6) Dead+Collateral+0.75Live+0.45Wind_Long2R
- (1) 0.6Dead+0.6Wind_Left2
- (2) 0.6Dead+0.6Wind_Right2
- (3) 0.6Dead+0.6Wind_Long1L
- (4) 0.6Dead+0.6Wind_Long2L
- (5) Dead+Collateral+F3PAT_LL_1
- (6) Dead+Collateral+F3PAT_LL_2

RIGID FRAME REACTIONS (k)

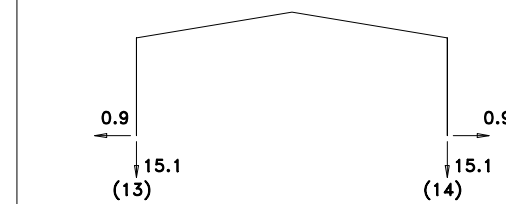
⊙ 2 3



Max +Vertical



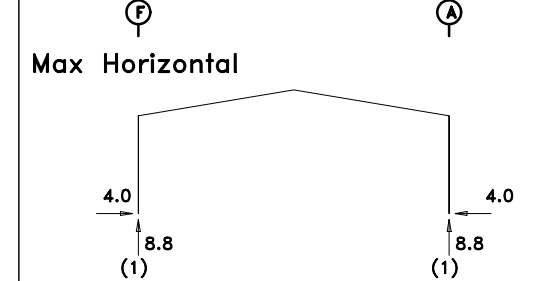
Max -Vertical



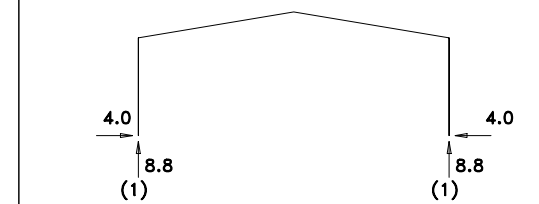
- (1) Dead+Collateral+Live
- (3) 0.6Dead+0.6Wind_Long1L
- (4) 0.6Dead+0.6Wind_Long2L

RIGID FRAME REACTIONS (k)

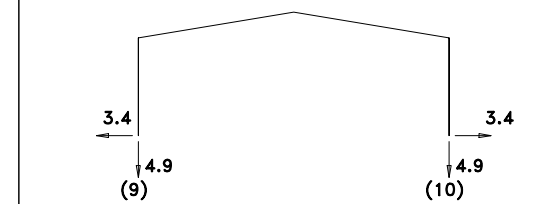
⊙ 1



Max +Vertical



Max -Vertical



- (1) Dead+Collateral+Live
- (9) 0.6Dead+0.6Wind_Left1
- (10) 0.6Dead+0.6Wind_Right1

BUILDING BRACING REACTIONS

Wall Loc	Line	Col Line	± Reactions(k)				Panel_Shear (lb/ft)		Note
			-0.6Wind Horz	-0.7Seismic Vert	-0.7Seismic Horz	-0.7Seismic Vert	Wind	Seis	
L_SW	1							(h)	
F_SW	A	3,4	8.9	7.8	0.42	0.36		(h)	
R_SW	4								
B_SW	F	4,3	8.9	7.8	0.42	0.36		(h)	

(h) Rigid frame at endwall

Reactions for seismic represent shear force, Eh

ENDWALL COLUMN REACTIONS(k)

Frame Line	Col Line	Max Horz	Max +Vert	Max -Vert	Vert	Horz	Load Id
1	B	0.2	0.1	0.0	0.0	0.2	(17)
1	E	0.0	0.0	0.0	0.0	0.0	(a)

(a) Load combinations do not produce a max for this direction
 (17) 0.6Dead+0.6Wind_Right2+0.6Wind_Suction
 (19) Dead+0.6Wind_Right2+0.6Wind_Suction

APPROVAL DRAWINGS

- APPROVED AS DRAWN
- APPROVED AS NOTED
- NOT APPROVED

____ INITIAL

Please Check And Approve All Dimensions And Conditions. STANDARD STRUCTURES Must Be Notified Of Any Changes.



MANUFACTURER OF METAL BUILDINGS & COMPONENTS

P.O. BOX 1912
 ODESSA, TX. 79760
 1-800-240-0335



ACCREDITED™
 Metal Building Systems
 AC 472

APPROVAL & PERMIT

JOB NAME: Cozart Metal Building Systems

PROJECT NAME: Hernandez Hangar #2

JOB LOCATION: Cleburne, Texas 76033

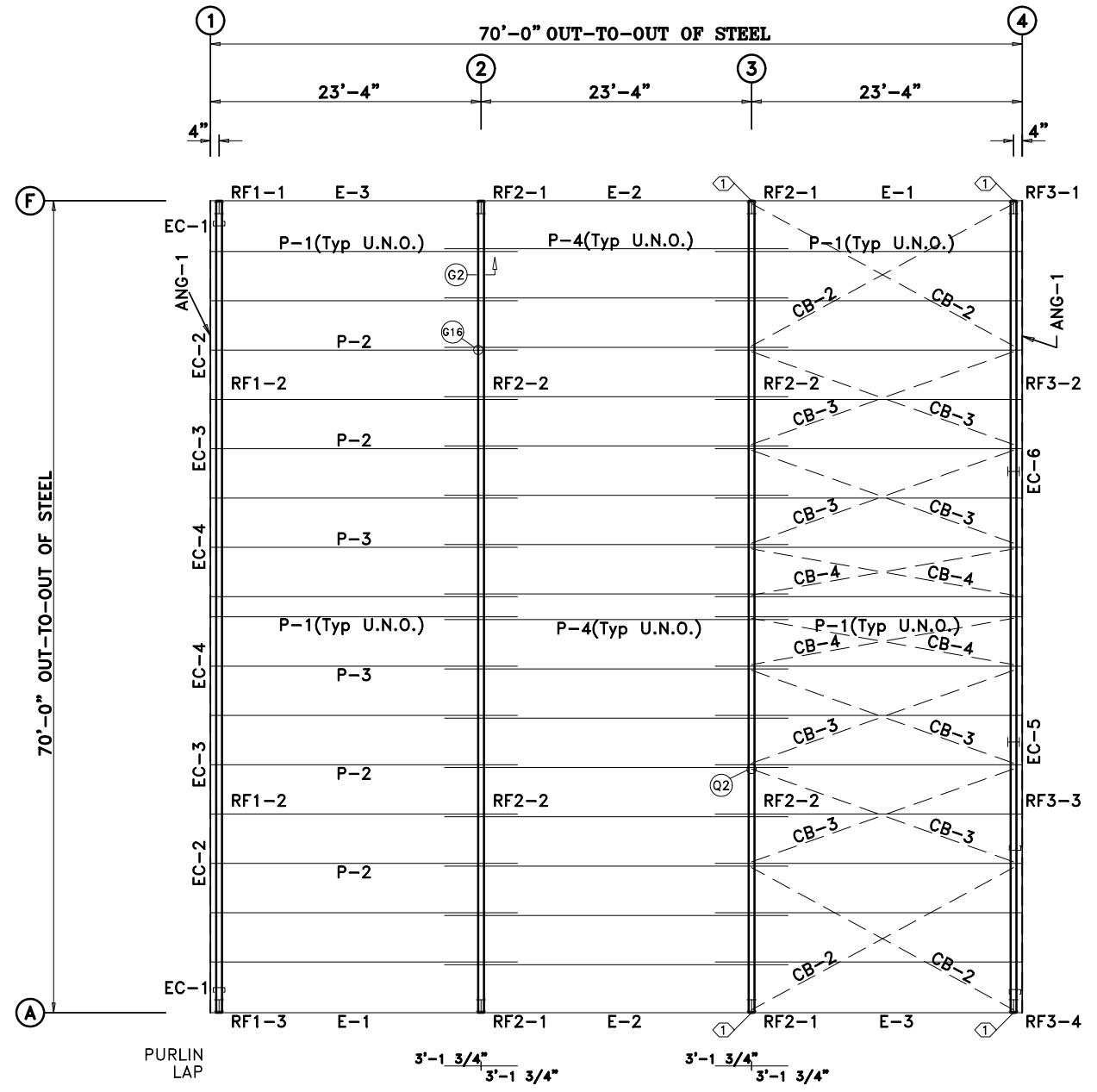
DRAWING TITLE: ANCHOR BOLT REACTIONS

DATE: 3/19/25

DET:

JOB NO.: 25014

PG.: E-2



ROOF FRAMING PLAN

MEMBER TABLE			
ROOF PLAN			
QUAN	MARK	PART	LENGTH
26	P-1	8x25Z16	26'-5 1/2"
4	P-2	8x25Z14	26'-5 1/2"
2	P-3	8x25Z12	26'-5 1/2"
16	P-4	8x25Z16	29'-7 1/2"
2	E-1	82LEDS12	23'-3 1/2"
2	E-2	82LEDS12	23'-3 1/2"
2	E-3	82LEDS12	23'-3 1/2"
4	CB-2	5/16_CBL	24'-6"
8	CB-3	5/16_CBL	22'-11"
4	CB-4	5/16_CBL	22'-0"

SPECIAL BOLTS					
ROOF PLAN					
ID	QUAN	TYPE	DIA	LENGTH	WASH
1	4	A325	1/2"	1 1/4"	0

APPROVAL DRAWINGS

APPROVED AS DRAWN
 APPROVED AS NOTED
 NOT APPROVED

____ INITIAL

Please Check And Approve All Dimensions And Conditions. STANDARD STRUCTURES Must Be Notified Of Any Changes.

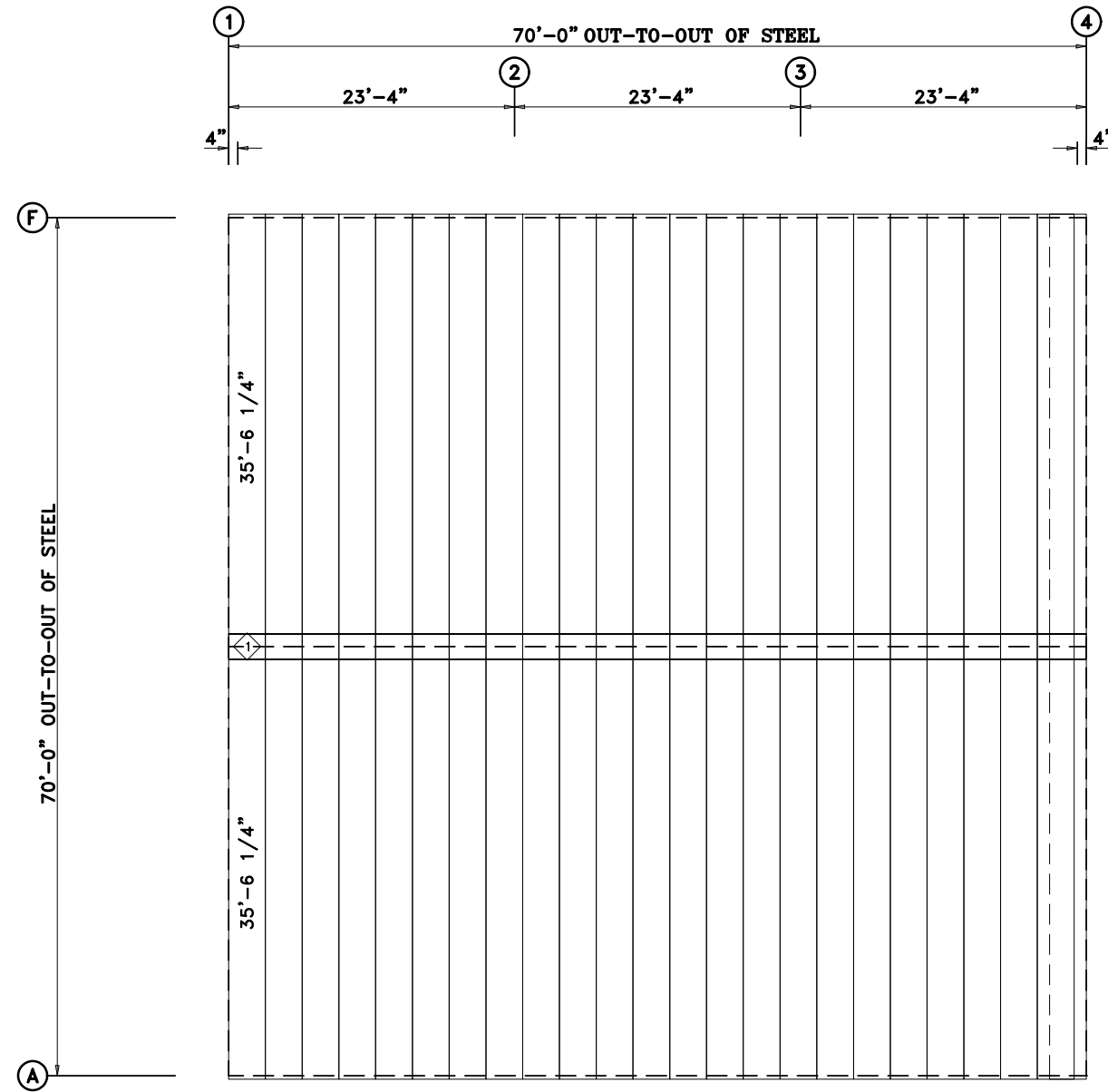
SSI STANDARD STRUCTURES INC.
 MANUFACTURER OF METAL BUILDINGS & COMPONENTS
 P.O. BOX 1912
 ODESSA, TX. 79760
 1-800-240-0335

IAS
 ACCREDITED™
 Metal Building Systems
 AC 472

APPROVAL & PERMIT

JOB NAME: Cozart Metal Building Systems
 PROJECT NAME: Hernandez Hangar #2
 JOB LOCATION: Cleburne, Texas 76033
 DRAWING TITLE: *ROOF FRAMING PLAN*
 DATE: 3/19/25 DET: JOB NO.: 25014 PG.: E-3

TRIM TABLE				
ROOF PLAN				
◇ID	QUAN	PART	LENGTH	DETAIL
1	24	PEAK 26R	3'-0"	TRIM #1



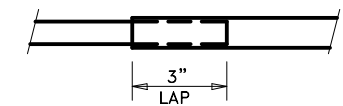
ROOF SHEETING PLAN
PANELS: 26 Ga. PBR - Need Color Roof

APPROVAL DRAWINGS	
<input type="checkbox"/> APPROVED AS DRAWN	____ INITIAL
<input type="checkbox"/> APPROVED AS NOTED	
<input type="checkbox"/> NOT APPROVED	
Please Check And Approve All Dimensions And Conditions. <u>STANDARD STRUCTURES</u> Must Be Notified Of Any Changes.	

SSI STANDARD STRUCTURES INC.
 MANUFACTURER OF METAL BUILDINGS & COMPONENTS
 P.O. BOX 1912
 ODESSA, TX. 79760
 1-800-240-0335

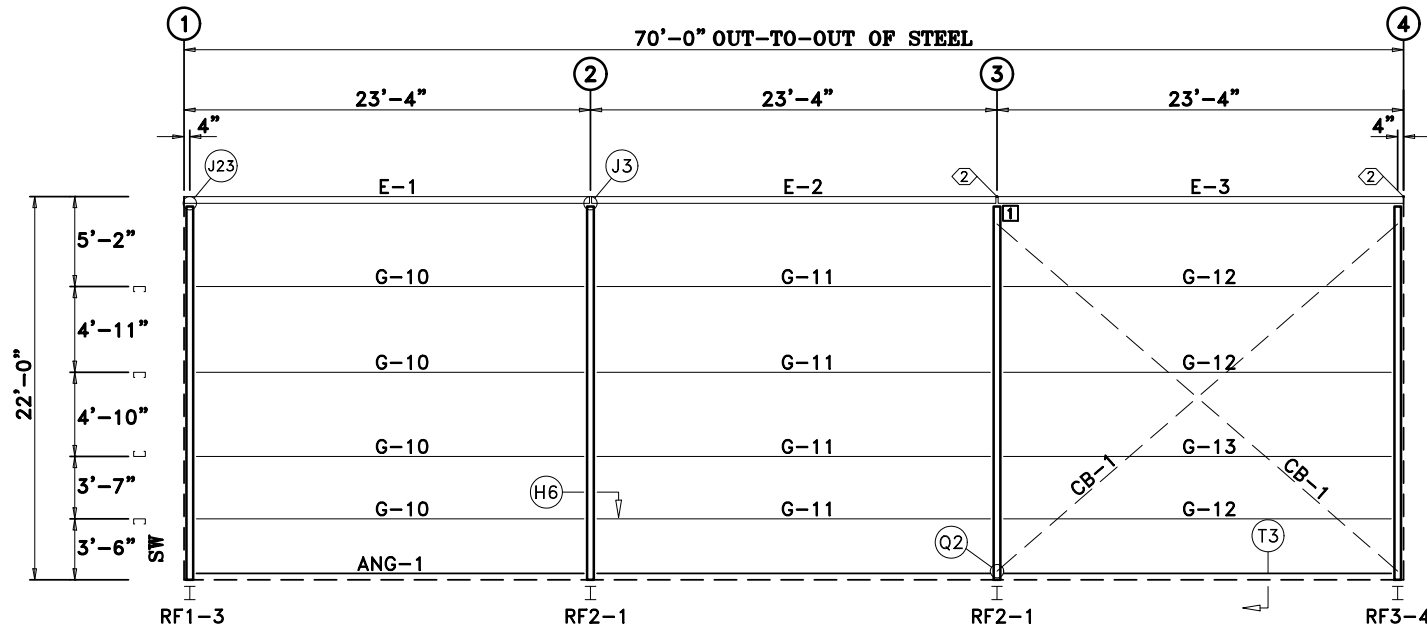
IAS
 ACCREDITED™
 Metal Building Systems
 AC 472

APPROVAL & PERMIT			
JOB NAME: Cozart Metal Building Systems			
PROJECT NAME: Hernandez Hangar #2			
JOB LOCATION: Cleburne, Texas 76033			
DRAWING TITLE: <i>ROOF FRAMING PLAN</i>			
DATE: 3/19/25	DET:	JOB NO.: 25014	PG.: E-4

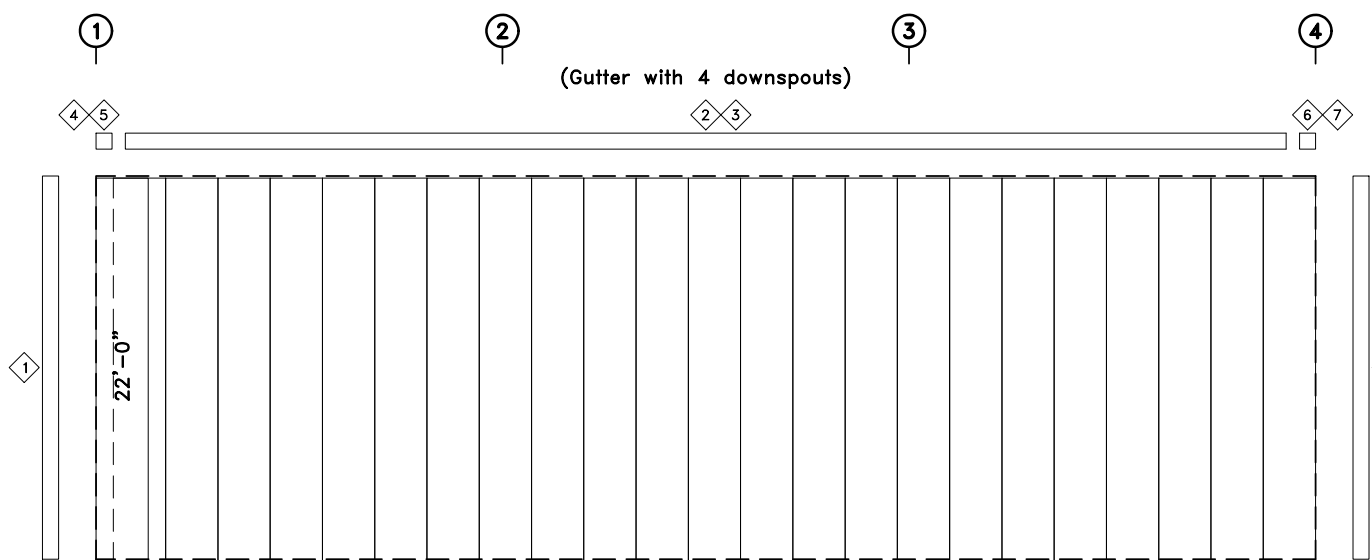


ALL TRIM LAPS ARE TO BE 3" LONG

NOTE: If Trim Lap Is More Than 3" Long, The Trim May Not Cover The Required Coverage Length.



SIDEWALL FRAMING: FRAME LINE A



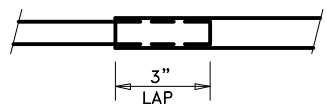
SIDEWALL SHEETING & TRIM: FRAME LINE A
 PANELS: 26 Ga. PBR - Need Color Walls

TRIM TABLE				
FRAME LINE A				
ID	QUAN	PART	LENGTH	DETAIL
1	2	CRNTR243	22'-1"	TRIM #2
2	3	GUTT243	23'-6"	TRIM #5
3	7	BACKSPLS	10'-3"	
4	1	SGUTENDL	6"	
5	1	SCRNBX-L	6"	TRIM #16
6	1	SGUTENDR	6"	TRIM #16
7	1	SCRNBX-R	6"	TRIM #16

MEMBER TABLE				
FRAME LINE A				
QUAN	MARK	PART	LENGTH	
1	E-1	82LEDS12	23'-3 1/2"	
1	E-2	82LEDS12	23'-3 1/2"	
1	E-3	82LEDS12	23'-3 1/2"	
4	G-10	8x25C13	22'-5 1/2"	
4	G-11	8x25C13	22'-9 1/2"	
3	G-12	8x25C13	22'-6 1/2"	
1	G-13	8x25C13	22'-6 1/2"	
2	CB-1	1/2_CBL	28'-6"	

SPECIAL BOLTS					
ID	QUAN	TYPE	DIA	LENGTH	WASH
2	4	A325	1/2"	1 1/4"	0

CONNECTION PLATES		
FRAME LINE A		
ID	QUAN	MARK/PART
1	1	EEP-2



ALL TRIM LAPS ARE TO BE 3" LONG

NOTE: If Trim Lap Is More Than 3" Long, The Trim May Not Cover The Required Coverage Length.

APPROVAL DRAWINGS

APPROVED AS DRAWN
 APPROVED AS NOTED
 NOT APPROVED

____ INITIAL

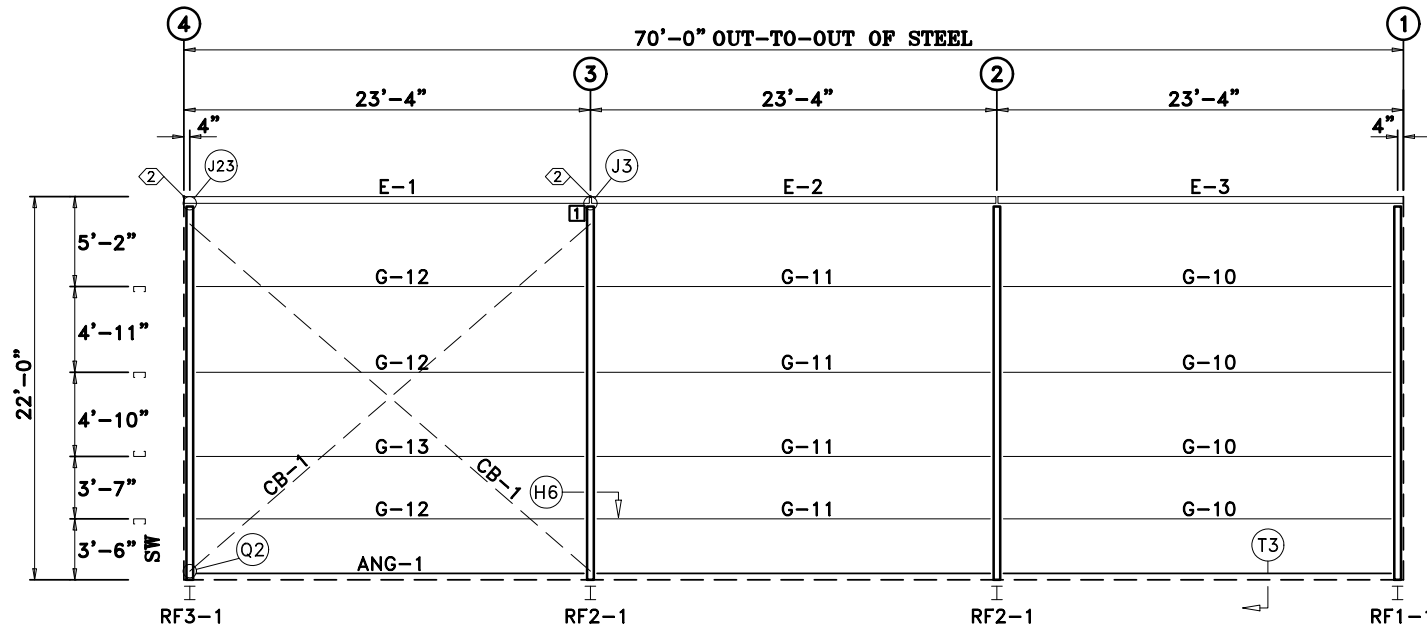
Please Check And Approve All Dimensions And Conditions. STANDARD STRUCTURES Must Be Notified Of Any Changes.

SSI STANDARD STRUCTURES INC.
 MANUFACTURER OF METAL BUILDINGS & COMPONENTS
 P.O. BOX 1912
 ODESSA, TX. 79760
 1-800-240-0335

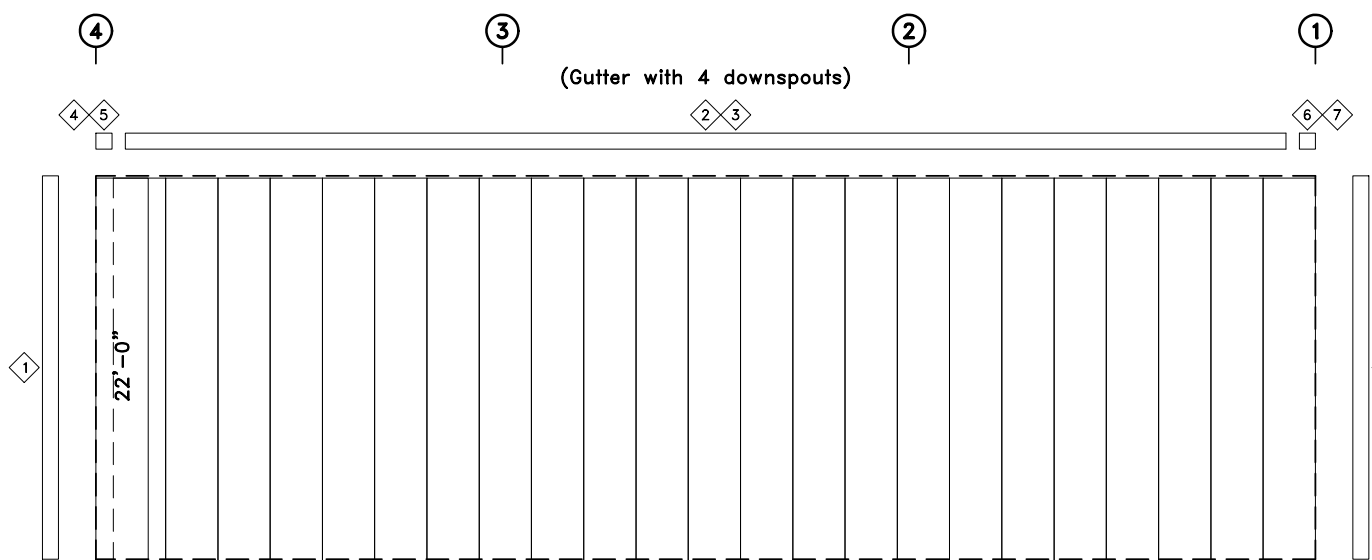
IAS
 ACCREDITED™
 Metal Building Systems
 AC 472

APPROVAL & PERMIT

JOB NAME: Cozart Metal Building Systems
 PROJECT NAME: Hernandez Hangar #2
 JOB LOCATION: Cleburne, Texas 76033
 DRAWING TITLE: *SIDEWALL DRAWING*
 DATE: 3/19/25 DET: JOB NO.: 25014 PG.: E-5



SIDEWALL FRAMING: FRAME LINE F



SIDEWALL SHEETING & TRIM: FRAME LINE F
 PANELS: 26 Ga. PBR - Need Color Walls

TRIM TABLE FRAME LINE F				
ID	QUAN	PART	LENGTH	DETAIL
1	2	CRNTR243	22'-1"	TRIM #2
2	3	GUTT243	23'-6"	TRIM #5
3	7	BACKSPLS	10'-3"	
4	1	SGUTENDL	6"	
5	1	SCRNBX-L	6"	TRIM #16
6	1	SGUTENDR	6"	TRIM #16
7	1	SCRNBX-R	6"	TRIM #16

MEMBER TABLE FRAME LINE F				
QUAN	MARK	PART	LENGTH	
1	E-1	82LEDS12	23'-3 1/2"	
1	E-2	82LEDS12	23'-3 1/2"	
1	E-3	82LEDS12	23'-3 1/2"	
4	G-10	8x25C13	22'-5 1/2"	
4	G-11	8x25C13	22'-9 1/2"	
3	G-12	8x25C13	22'-6 1/2"	
1	G-13	8x25C13	22'-6 1/2"	
2	CB-1	1/2_CBL	28'-6"	

SPECIAL BOLTS					
ID	QUAN	TYPE	DIA	LENGTH	WASH
2	4	A325	1/2"	1 1/4"	0

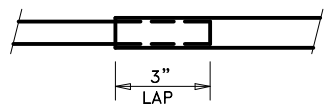
CONNECTION PLATES FRAME LINE F			
ID	QUAN	MARK/PART	
1	1	EEP-2	

APPROVAL DRAWINGS

- APPROVED AS DRAWN
- APPROVED AS NOTED
- NOT APPROVED

____ INITIAL

Please Check And Approve All Dimensions
 And Conditions. STANDARD STRUCTURES
 Must Be Notified Of Any Changes.



ALL TRIM LAPS ARE TO BE 3" LONG

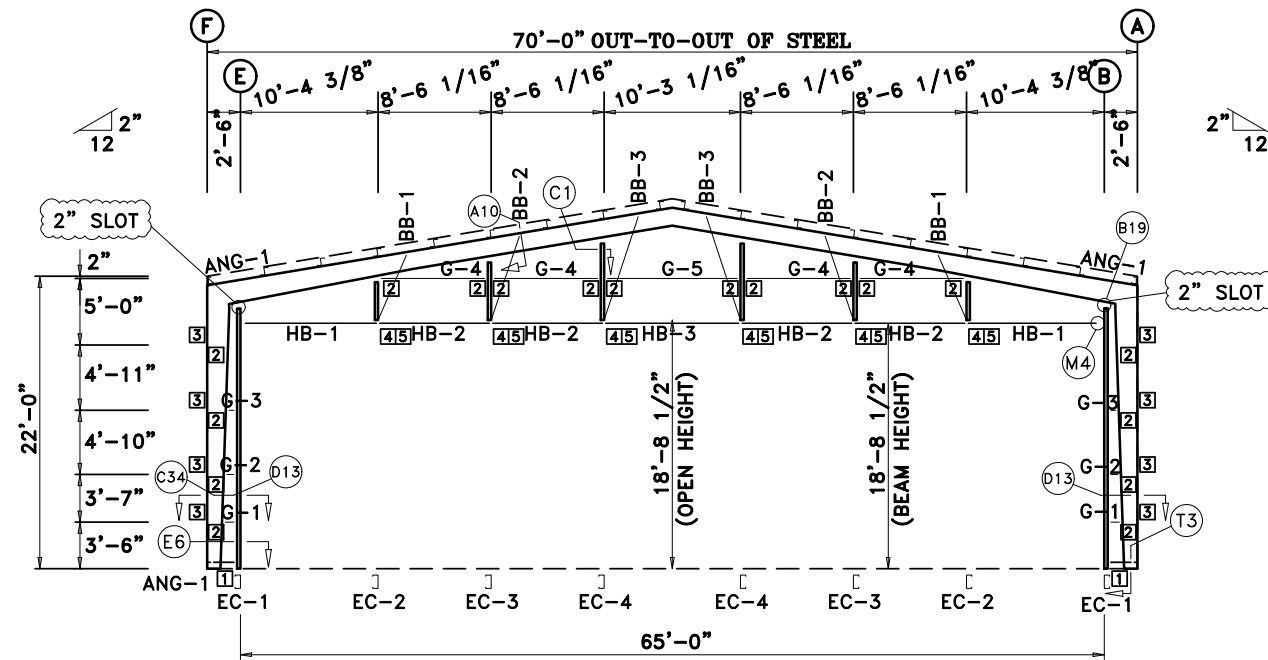
NOTE: If Trim Lap Is More Than 3" Long, The Trim
 May Not Cover The Required Coverage Length.

SSI STANDARD STRUCTURES INC.
 MANUFACTURER OF METAL BUILDINGS & COMPONENTS
 P.O. BOX 1912
 ODESSA, TX. 79760
 1-800-240-0335

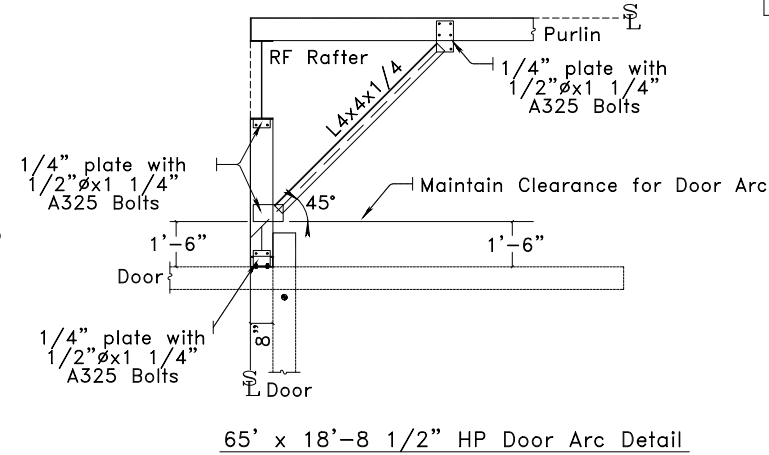
IAS
 ACCREDITED™
 Metal Building Systems
 AC 472

APPROVAL & PERMIT

JOB NAME: Cozart Metal Building Systems			
PROJECT NAME: Hernandez Hangar #2			
JOB LOCATION: Cleburne, Texas 76033			
DRAWING TITLE: <i>SIDEWALL DRAWING</i>			
DATE: 3/19/25	DET:	JOB NO.: 25014	PG.: E-6



ENDWALL FRAMING: FRAME LINE 1



65' x 18'-8 1/2" HP Door Arc Detail

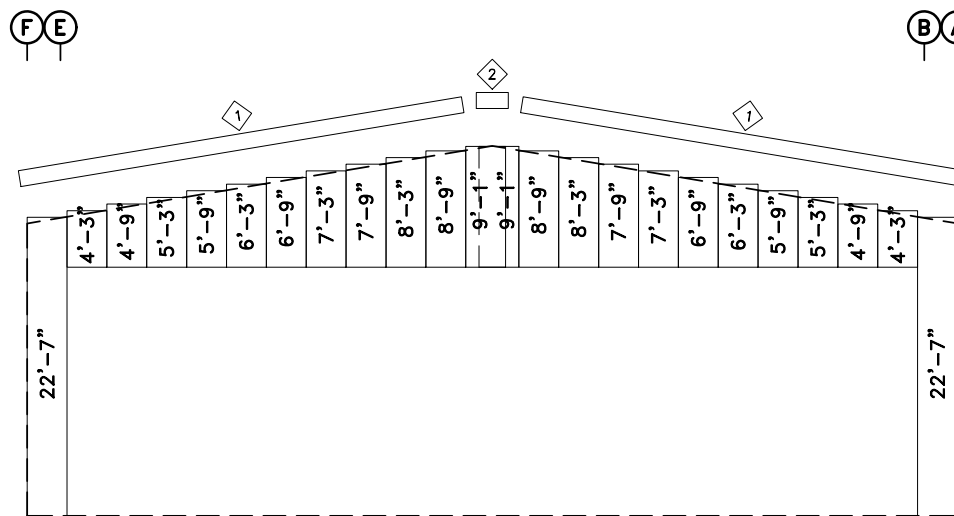
TRIM TABLE				
FRAME LINE 1				
ID	QUAN	PART	LENGTH	DETAIL
1	4	RAKER243	18'-2"	TRIM #3
2	1	PEAKBX-R	1'-2"	TRIM #15

BOLT TABLE				
FRAME LINE 1				
LOCATION	QUAN	TYPE	DIA	LENGTH
Columns/Raf	4	A325	1/2"	1 1/4"
Back Braces	1	A325	1/2"	1 1/4"

MEMBER TABLE				
FRAME LINE 1				
QUAN	MARK	PART	LENGTH	
2	HB-1	8x35C16	10'-0 3/8"	
4	HB-2	8x35C16	8'-2 1/16"	
1	HB-3	8x35C16	10'-2 9/16"	
2	BB-1	L4X4X1/4	TBD HOLD @ 45deg	
2	BB-2	L4X4X1/4	TBD HOLD @ 45deg	
2	BB-3	L4X4X1/4	TBD HOLD @ 45deg	
2	EC-1	8x35C16	19'-10 13/16"	
2	EC-2	8x35C16	3'-2 7/8"	
2	EC-3	8x35C16	4'-8 5/8"	
2	EC-4	8x35C16	6'-1 11/16"	
2	G-1	8x25C16	1'-0 5/16"	
2	G-2	8x25C16	10 7/8"	
2	G-3	8x25C16	8 7/8"	
4	G-4	8x25C16	8'-2 1/16"	
1	G-5	8x25C16	10'-2 9/16"	

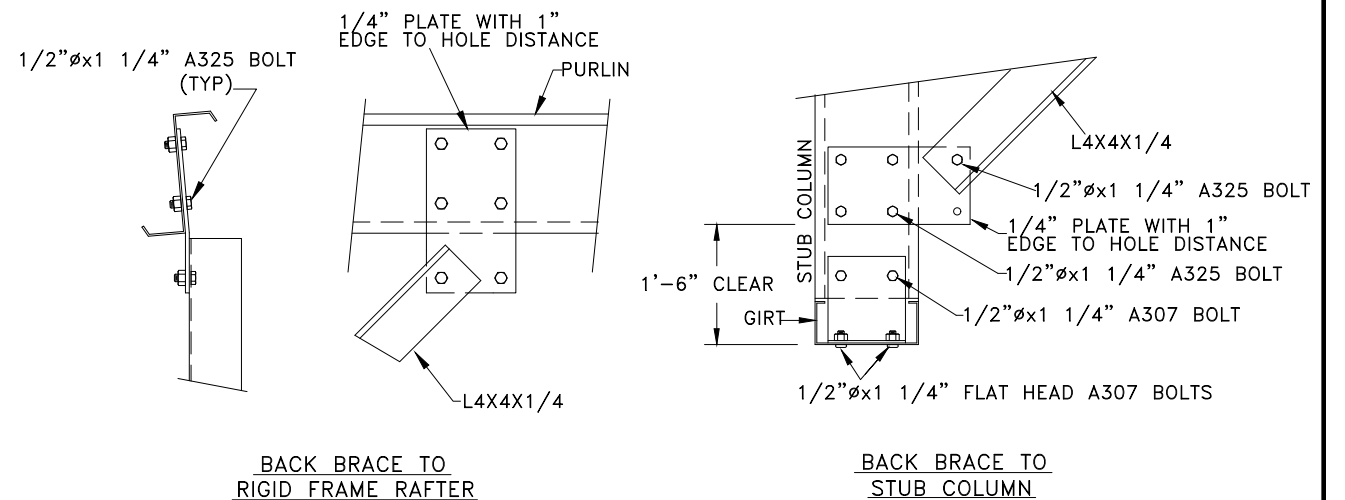
CONNECTION PLATES			
FRAME LINE 1			
ID	QUAN	MARK/PART	
1	2	C-104	
2	18	C-5	
3	8	SA-1	
4	6	r1	
5	6	r2	

QUANTITY = (22)



ENDWALL SHEETING & TRIM: FRAME LINE 1

PROVIDE HP DOOR SHEETING
PANELS: 26 Ga. PBR - Need Color Walls



APPROVAL DRAWINGS

- APPROVED AS DRAWN
- APPROVED AS NOTED
- NOT APPROVED

____ INITIAL

Please Check And Approve All Dimensions
And Conditions. STANDARD STRUCTURES
Must Be Notified Of Any Changes.

SSI STANDARD STRUCTURES INC.
MANUFACTURER OF METAL BUILDINGS & COMPONENTS

P.O. BOX 1912
ODESSA, TX. 79760
1-800-240-0335

IAS

ACCREDITED™
Metal Building Systems
AC 472

APPROVAL & PERMIT

JOB NAME: Cozart Metal Building Systems

PROJECT NAME: Hernandez Hangar #2

JOB LOCATION: Cleburne, Texas 76033

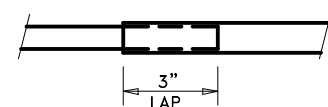
DRAWING TITLE: *ENDWALL DRAWING*

DATE: 3/19/25

DET:

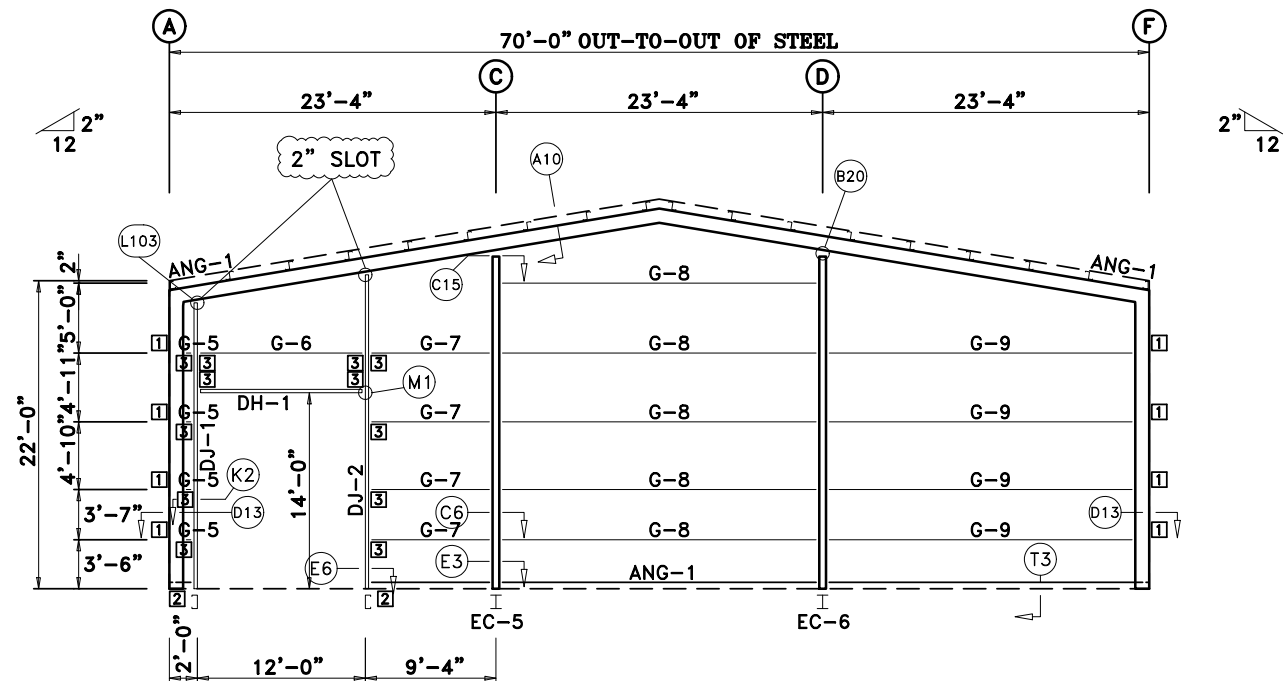
JOB NO.: 25014

PG.: E-7

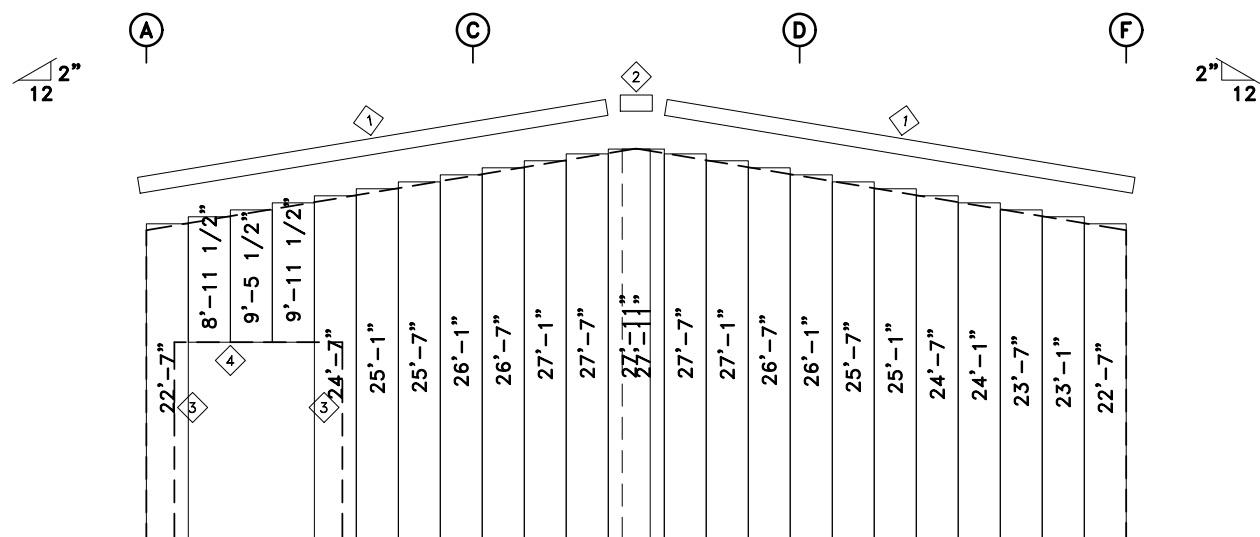


ALL TRIM LAPS ARE TO BE 3" LONG

NOTE: If Trim Lap Is More Than 3" Long, The Trim May Not Cover The Required Coverage Length.



ENDWALL FRAMING: FRAME LINE 4



ENDWALL SHEETING & TRIM: FRAME LINE 4

PANELS: 26 Ga. PBR - Need Color Walls

TRIM TABLE FRAME LINE 4				
ID	QUAN	PART	LENGTH	DETAIL
1	4	RAKER243	18'-2"	TRIM #3
2	1	PEAKBX-R	1'-2"	TRIM #15
3	2	JMBTR243	14'-2"	TRIM #6
4	1	HEADR243	12'-4"	TRIM #8

BOLT TABLE FRAME LINE 4				
LOCATION	QUAN	TYPE	DIA	LENGTH
Columns/Raf	4	A325	5/8"	1 1/4"
Jamb	2	A325	5/8"	1 1/2"

MEMBER TABLE FRAME LINE 4				
QUAN	MARK	PART	LENGTH	
1	EC-5	W8X15	24'-2 9/16"	
1	EC-6	W8X15	24'-2 9/16"	
1	DJ-1	8x35C14	20'-6 7/16"	
1	DJ-2	8x35C12	22'-6 7/16"	
1	DH-1	8x35C16	12'-0"	
4	G-5	8x25C16	7 7/8"	
1	G-6	8x25C16	11'-11 1/2"	
4	G-7	8x25C16	8'-10"	
5	G-8	8x25C13	22'-11 1/2"	
4	G-9	8x25C13	22'-1 3/8"	

CONNECTION PLATES FRAME LINE 4			
ID	QUAN	MARK/PART	
1	8	SA-1	
2	2	C-104	
3	12	C-5	

SSI STANDARD STRUCTURES INC.
MANUFACTURER OF METAL BUILDINGS & COMPONENTS
P.O. BOX 1912
ODESSA, TX. 79760
1-800-240-0335

IAS
ACCREDITED™
Metal Building Systems
AC 472

APPROVAL & PERMIT

JOB NAME: Cozart Metal Building Systems
PROJECT NAME: Hernandez Hangar #2
JOB LOCATION: Cleburne, Texas 76033
DRAWING TITLE: *ENDWALL DRAWING*
DATE: 3/19/25 DET: JOB NO.: 25014 PG.: E-8

APPROVAL DRAWINGS

APPROVED AS DRAWN
 APPROVED AS NOTED
 NOT APPROVED

____ INITIAL

Please Check And Approve All Dimensions And Conditions. STANDARD STRUCTURES Must Be Notified Of Any Changes.

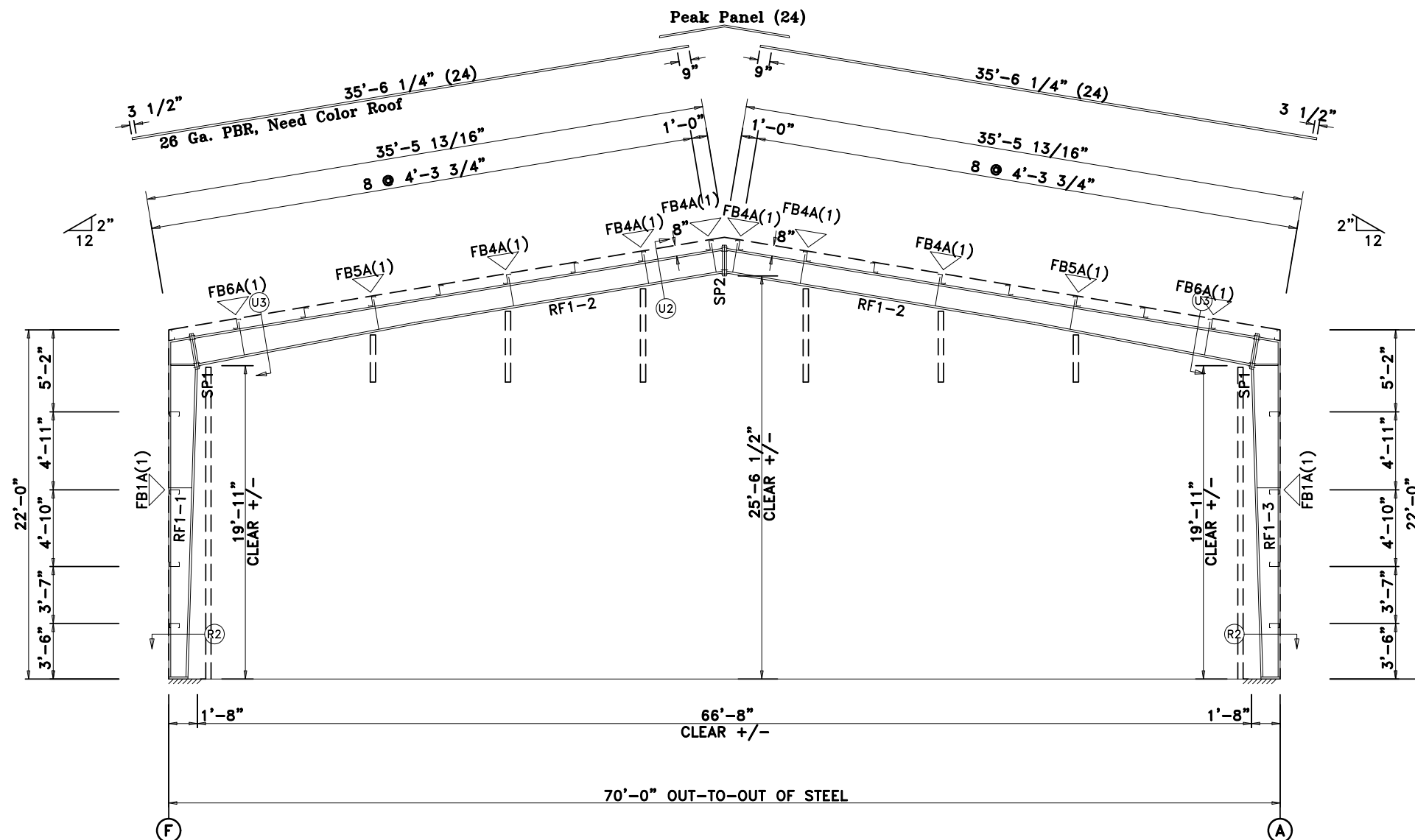
ALL TRIM LAPS ARE TO BE 3" LONG

NOTE: If Trim Lap Is More Than 3" Long, The Trim May Not Cover The Required Coverage Length.

SPLICE PLATE & BOLT TABLE									
Mark	Qty		Int	Type	Dia	Length	Width	Thick	Length
	Top	Bot							
SP1	4	4	0	A325	3/4"	2"	6"	1/2"	2'-2 1/2"
SP2	4	4	0	A325	5/8"	1 3/4"	6"	3/8"	1'-10 1/2"

MEMBER TABLE								
Mark	Web Depth		Web Plate Thick	Length	Outside Flange		Inside Flange	
	Start	End			W x Thk	x Length	W x Thk	x Length
RF1-1	11.5	19.5	0.188	233.9	6 x 1/4" x 255.3		6 x 1/4" x 235.5	
	19.5	19.5			6 x 1/4" x 16.2			
RF1-2	19.5	15.5	0.188	168.2	6 x 1/4" x 408.2		6 x 1/4" x 168.3	
	15.5	15.5			6 x 1/4" x 237.4			
RF1-3	19.5	19.5	0.188	24.0	6 x 1/4" x 16.2		6 x 1/4" x 235.5	
	19.5	11.5			6 x 1/4" x 255.3			

FLANGE BRACES: Both Sides(U.N.)
 FBxxA(1)
 A - F2X2X14g



RIGID FRAME SECTION: FRAME LINE 1

APPROVAL DRAWINGS

- APPROVED AS DRAWN
- APPROVED AS NOTED
- NOT APPROVED

____ INITIAL

Please Check And Approve All Dimensions
 And Conditions. STANDARD STRUCTURES
 Must Be Notified Of Any Changes.

SSI STANDARD STRUCTURES INC.
 MANUFACTURER OF METAL BUILDINGS & COMPONENTS

P.O. BOX 1912
 ODESSA, TX. 79760
 1-800-240-0335



ACCREDITED™
 Metal Building Systems
 AC 472

APPROVAL & PERMIT

JOB NAME: Cozart Metal Building Systems

PROJECT NAME: Hernandez Hangar #2

JOB LOCATION: Cleburne, Texas 76033

DRAWING TITLE: RIGID FRAME SECTION

DATE: 3/19/25

DET:

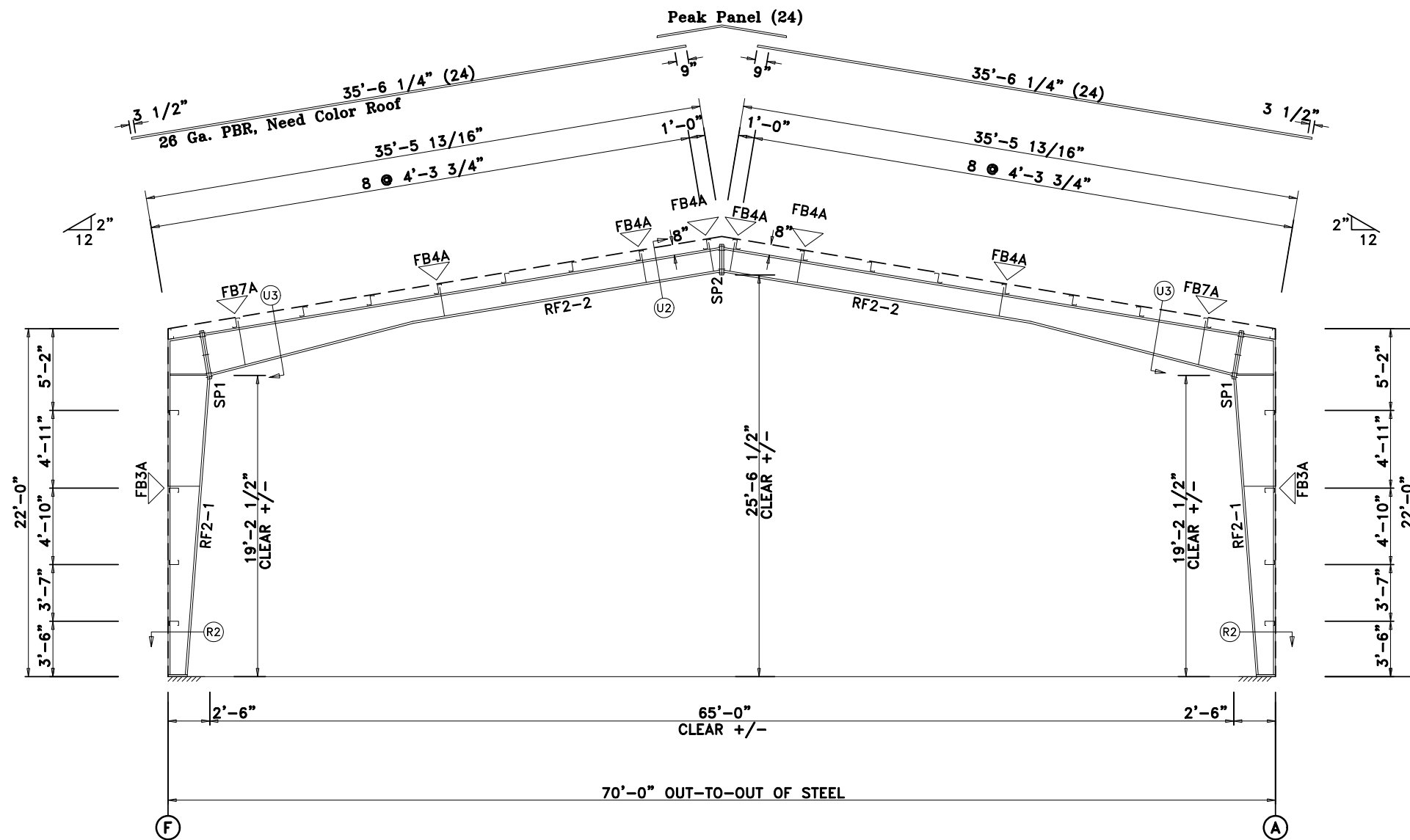
JOB NO.: 25014

PG.: E-9

SPLICE PLATE & BOLT TABLE									
Mark	Qty		Int	Type	Dia	Length	Width	Thick	Length
	Top	Bot							
SP1	4	4	2	A325	3/4"	2"	6"	1/2"	3'-0 1/2"
SP2	4	4	0	A325	5/8"	1 3/4"	6"	3/8"	1'-10 1/2"

MEMBER TABLE						
Mark	Web Depth		Web Plate		Outside Flange W x Thk x Length	Inside Flange W x Thk x Length
	Start	End	Thick	Length		
RF2-1	11.5	29.5	0.188	226.6	6 x 1/4" x 255.0	6 x 1/4" x 227.3
	29.5	24.1	0.188	32.5	6 x 1/4" x 24.6	
RF2-2	29.5	15.5	0.188	159.7	6 x 1/4" x 399.7	6 x 1/4" x 160.3
	15.5	15.5	0.188	240.0		6 x 1/4" x 237.4

FLANGE BRACES: Both Sides(U.N.)
 FBxxA(1)
 A - F2X2X14g



RIGID FRAME SECTION: FRAME LINE 2 3

APPROVAL DRAWINGS

- APPROVED AS DRAWN
- APPROVED AS NOTED
- NOT APPROVED

____ INITIAL

Please Check And Approve All Dimensions
 And Conditions. STANDARD STRUCTURES
 Must Be Notified Of Any Changes.

SSI STANDARD STRUCTURES INC.

MANUFACTURER OF METAL BUILDINGS & COMPONENTS

P.O. BOX 1912
 ODESSA, TX. 79760
 1-800-240-0335



ACCREDITED™
 Metal Building Systems
 AC 472

APPROVAL & PERMIT

JOB NAME: Cozart Metal Building Systems

PROJECT NAME: Hernandez Hangar #2

JOB LOCATION: Cleburne, Texas 76033

DRAWING TITLE: RIGID FRAME SECTION

DATE: 3/19/25

DET:

JOB NO.: 25014

PG.: E-10

