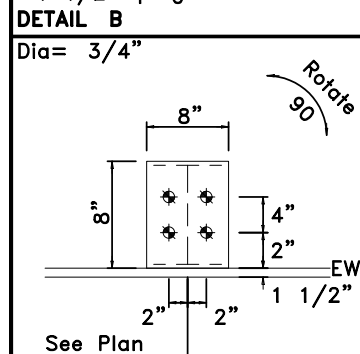
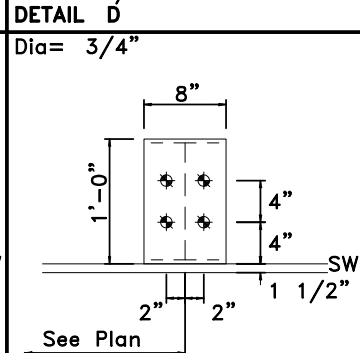
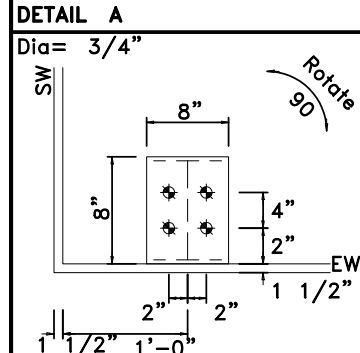
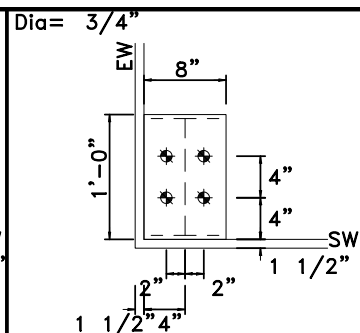
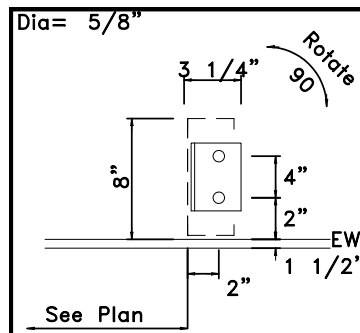
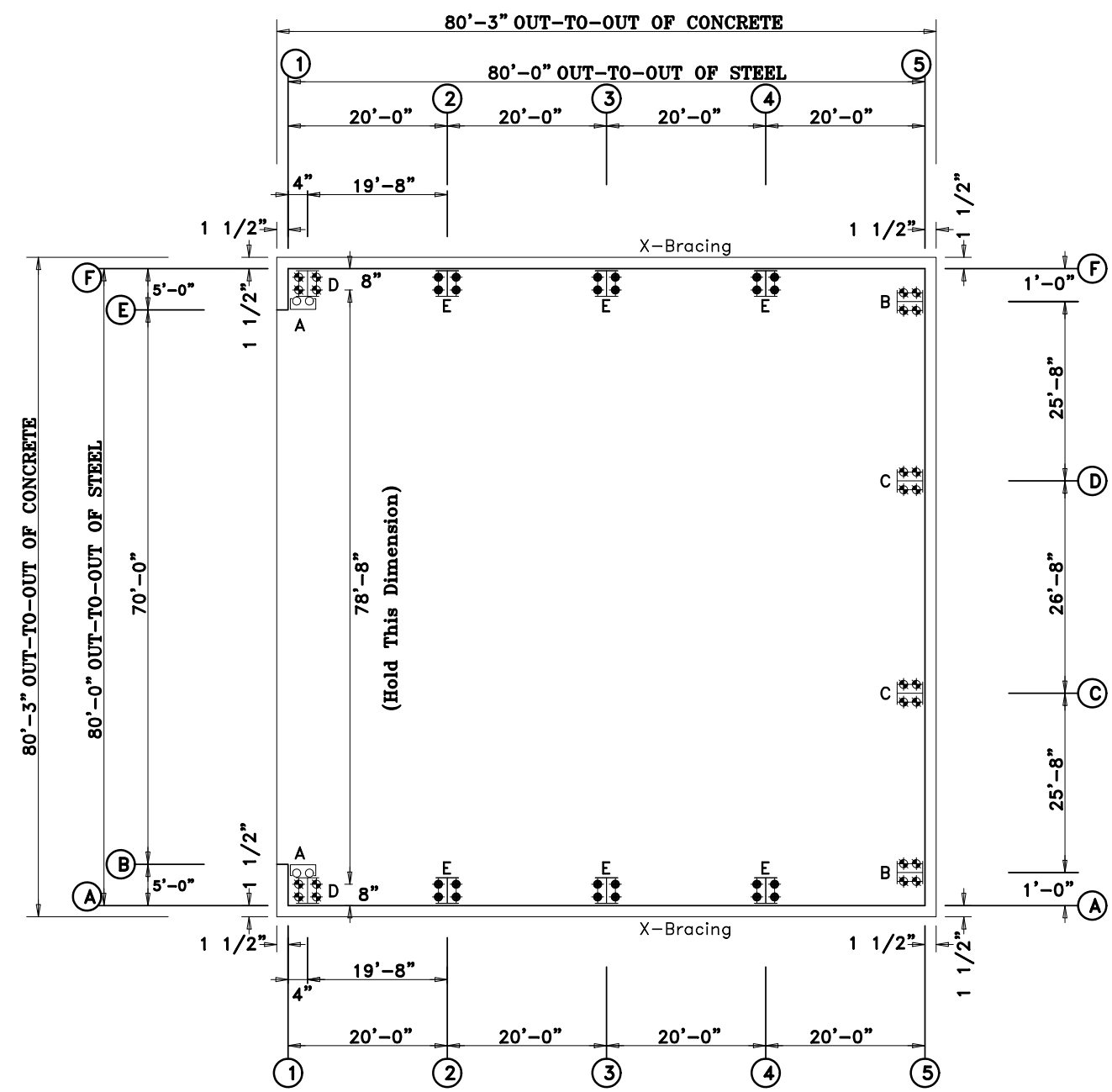


Standard Structures, Inc.

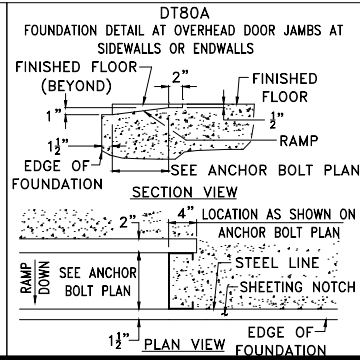
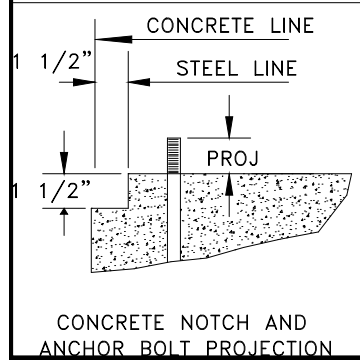
Job# 25016
Final Design



ANCHOR BOLT SUMMARY				
Qty	Locate	Dia (in)	Type	Proj (in)
4	Endwall	5/8"	A307	1.50
16	Endwall	3/4"	A307	2.00
8	Frame	3/4"	A307	2.00
24	Frame	1"	A307	2.50



ANCHOR BOLT PLAN
NOTE: All Base Plates @ 100'-0" (I.L.N.)



APPROVAL DRAWINGS

APPROVED AS DRAWN
 APPROVED AS NOTED
 NOT APPROVED

____ INITIAL

Please Check And Approve All Dimensions
 And Conditions. STANDARD STRUCTURES
 Must Be Notified Of Any Changes.

SSI STANDARD STRUCTURES INC.
 MANUFACTURER OF METAL BUILDINGS & COMPONENTS
 P.O. BOX 1912
 ODESSA, TX. 79760
 1-800-240-0335

IAS
 ACCREDITED™
 Metal Building Systems
 AC 472

APPROVAL & PERMIT

JOB NAME: Richard Suess			
PROJECT NAME: Norris Hangar			
JOB LOCATION: Berryville, AR 72616			
DRAWING TITLE: ANCHOR BOLT PLAN			
DATE: 3/26/25	DET:	JOB NO.: 25016	PG.: E-1

BUILDING BRACING REACTIONS

Wall Loc	Line	Col Line	± Reactions(k)				Panel Shear (lb/ft)		Note
			0.6Wind		Seismic		Wind	Seis	
L_EW	1								(h)
F_SW	A	3,4	7.7	6.4	1.4	1.2			
R_EW	5						27	7	
B_SW	F	4,3	7.7	6.4	1.4	1.2			

(h) Rigid frame at endwall

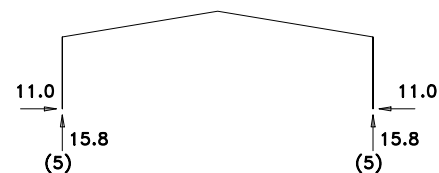
Reactions for seismic represent shear force, Eh

RIGID FRAME REACTIONS (k)

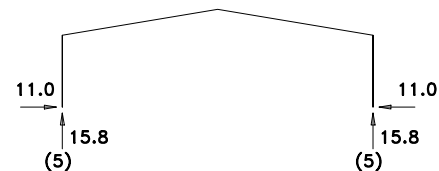
⊙ 2 3 4

⊙ F A

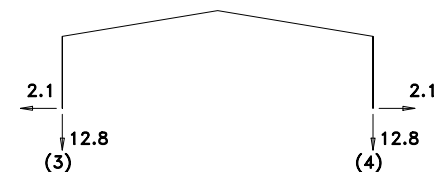
Max Horizontal



Max +Vertical



Max -Vertical



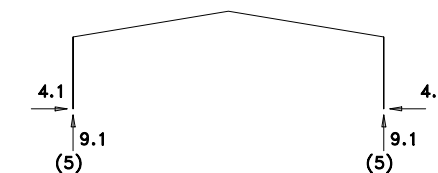
(3) 0.6Dead+0.6Wind_Long1L
 (4) 0.6Dead+0.6Wind_Long2L
 (5) Dead+Collateral+MIN_SNOW

RIGID FRAME REACTIONS (k)

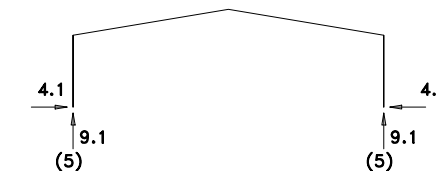
⊙ 1

⊙ F A

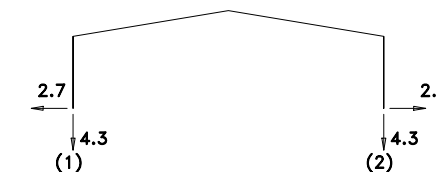
Max Horizontal



Max +Vertical



Max -Vertical



(1) 0.6Dead+0.6Wind_Left1
 (2) 0.6Dead+0.6Wind_Right1
 (5) Dead+Collateral+MIN_SNOW

NOTES FOR REACTIONS

Building reactions are based on the following building data:

- Width (ft) = 80.0
- Length (ft) = 80.0
- Eave Height (ft) = 18.5 / 18.5
- Roof Slope (rise/12) = 2.00 / 2.00
- Roof Dead Load (psf) = 2.0
- Roof Live Load (psf) = 20.0
- Frame Live Load (psf) = 12.0
- Collateral Load (psf) = 1.0
- Snow Load (psf) = 10.5
- Minimum Snow (psf) = 15.0
- Wind Speed (mph) = 107.0
- Wind Code = IBC 21
- Exposure = C
- Closure = Enclosed
- Internal Wind Coeff = -0.18, +0.18
- Risk Category = II - Normal
- Importance - Seismic = 1.00
- Seismic Design Category = C
- Seismic Coeff (Sms) = 0.32

ENDWALL COLUMN REACTIONS(k)

Frame Line	Col Line	Max Horz	Max +Vert	Max -Vert	Load Id
5	F	-9.0	7.7	-8.2	(7)
5	C	7.7	7.7	0.0	(13)
5	A	-8.2	-8.2	-9.0	(10)

(7) 0.6Dead+0.6Wind_Pressure+0.6Wind_Long2L
 (10) 0.6Dead+0.6Wind_Pressure+0.6Wind_Long1L
 (13) Dead+Collateral+E2PAT_LL_1

APPROVAL DRAWINGS

- APPROVED AS DRAWN
- APPROVED AS NOTED
- NOT APPROVED

____ INITIAL

Please Check And Approve All Dimensions And Conditions. STANDARD STRUCTURES Must Be Notified Of Any Changes.



MANUFACTURER OF METAL BUILDINGS & COMPONENTS

P.O. BOX 1912
 ODESSA, TX. 79760
 1-800-240-0335

APPROVAL & PERMIT

JOB NAME: Richard Suess
 PROJECT NAME: Norris Hangar

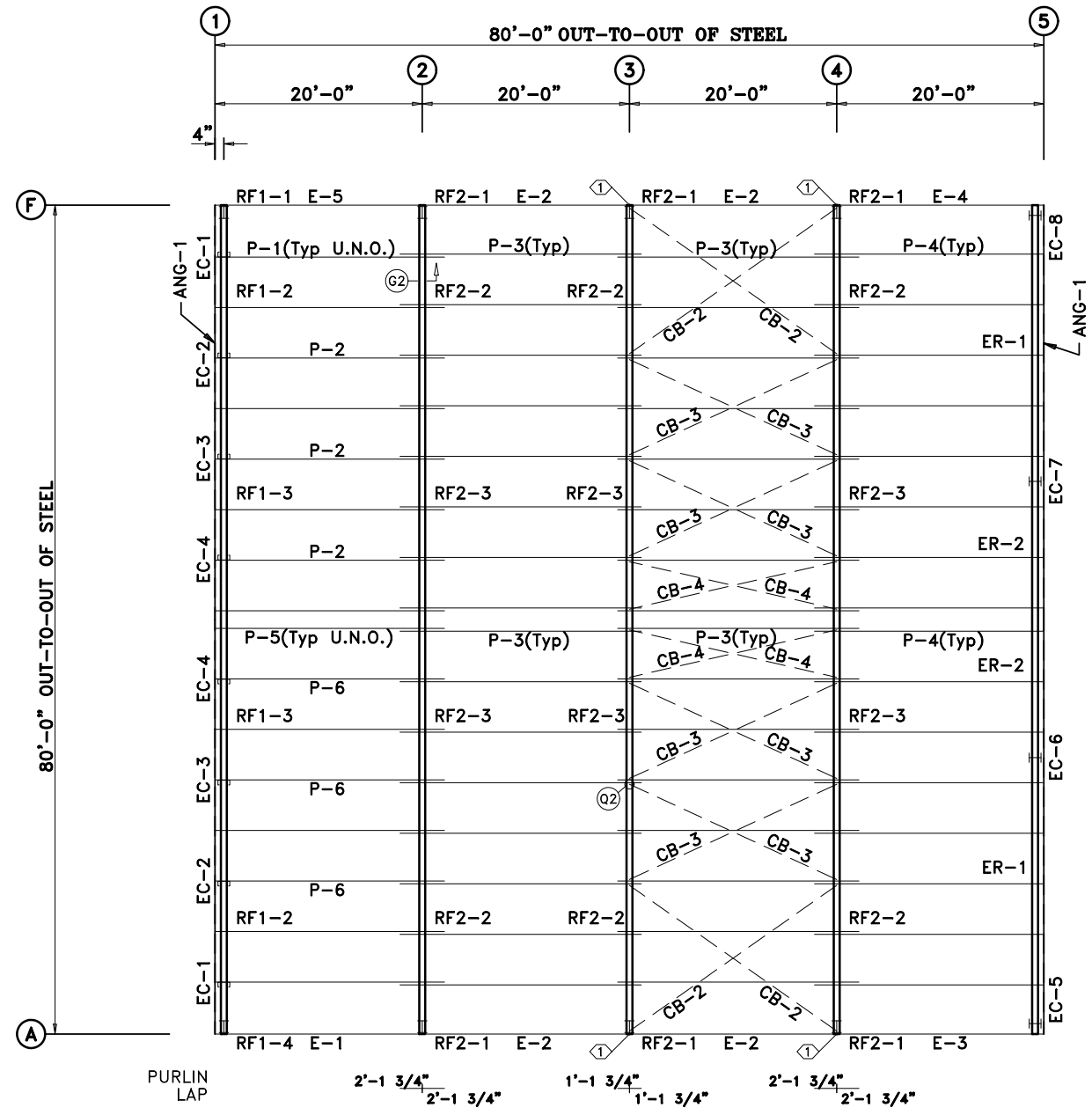
JOB LOCATION: Berryville, AR 72616

DRAWING TITLE: ANCHOR BOLT REACTIONS

DATE: 3/26/25 DET: JOB NO.: 25016 PG.: E-2



ACCREDITED™
 Metal Building Systems
 AC 472



ROOF FRAMING PLAN

MEMBER TABLE			
ROOF PLAN			
QUAN	MARK	PART	LENGTH
5	P-1	8x25Z16	22'-1 1/2"
3	P-2	8x25Z12	22'-1 1/2"
32	P-3	8x25Z16	23'-3 1/2"
16	P-4	8x25Z16	22'-1 1/2"
5	P-5	8x25Z16	22'-1 1/2"
3	P-6	8x25Z12	22'-1 1/2"
1	E-1	82LEDS14	19'-11 1/2"
4	E-2	82LEDS14	19'-11 1/2"
1	E-3	82LEDS14	19'-11 1/2"
1	E-4	82LEDS14	19'-11 1/2"
1	E-5	82LEDS14	19'-11 1/2"
4	CB-2	5/16_CBL	22'-5"
8	CB-3	5/16_CBL	20'-5"
4	CB-4	5/16_CBL	19'-0"

SPECIAL BOLTS					
ROOF PLAN					
ID	QUAN	TYPE	DIA	LENGTH	WASH
1	4	A325	1/2"	1 1/4"	0

APPROVAL DRAWINGS

APPROVED AS DRAWN

APPROVED AS NOTED

NOT APPROVED

____ INITIAL

Please Check And Approve All Dimensions
And Conditions. STANDARD STRUCTURES
Must Be Notified Of Any Changes.

SSI STANDARD STRUCTURES INC.
MANUFACTURER OF METAL BUILDINGS & COMPONENTS

P.O. BOX 1912
ODESSA, TX. 79760
1-800-240-0335

IAS
ACCREDITED™
Metal Building Systems
AC 472

APPROVAL & PERMIT

JOB NAME: Richard Suess

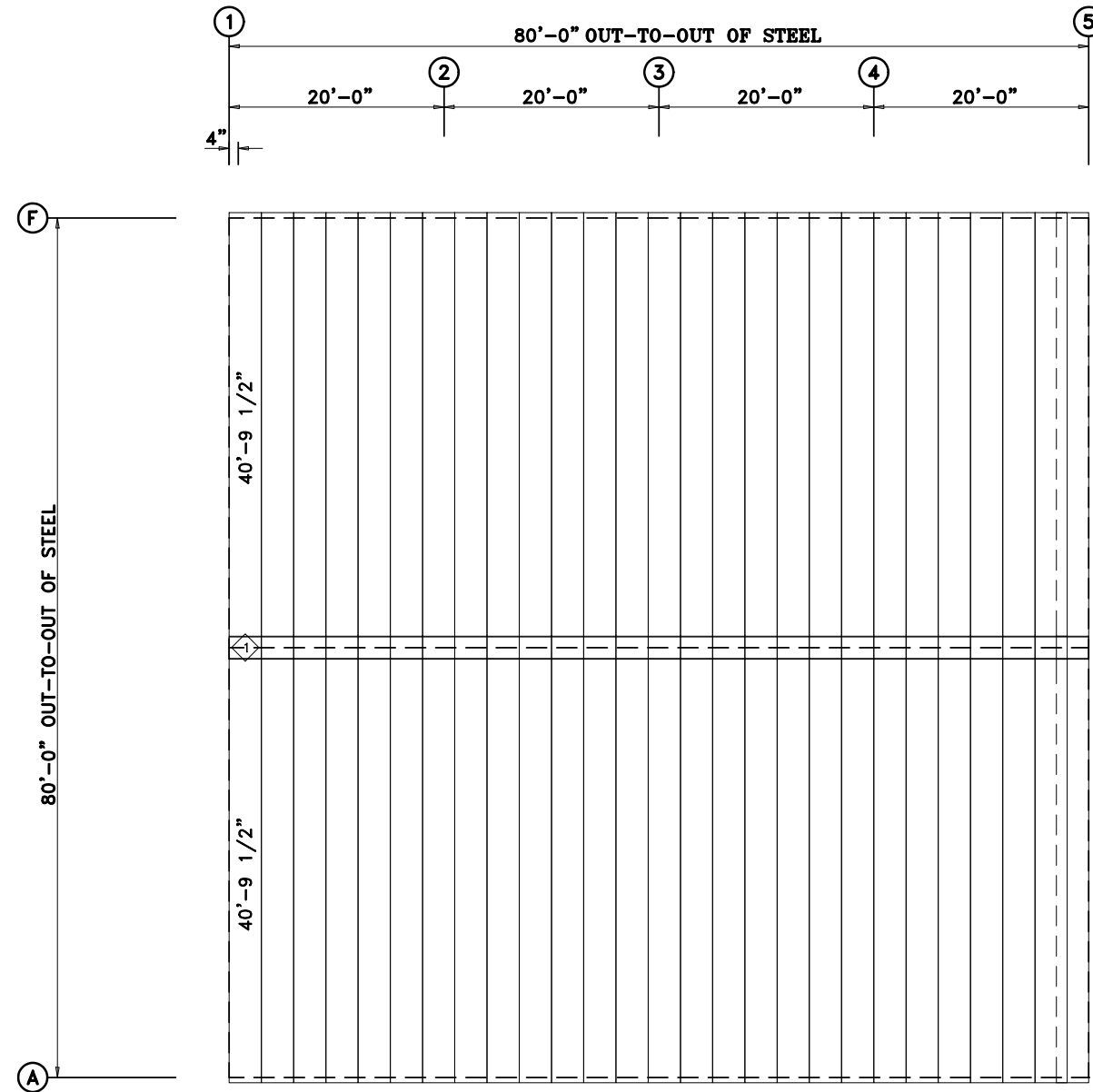
PROJECT NAME: Norris Hangar

JOB LOCATION: Berryville, AR 72616

DRAWING TITLE: ROOF FRAMING PLAN

DATE: 3/26/25 DET: JOB NO.: 25016 PG.: E-3

TRIM TABLE				
ROOF PLAN				
◇ID	QUAN	PART	LENGTH	DETAIL
1	27	PEAK 26R	3'-0"	TRIM #1



ROOF SHEETING PLAN

PANELS: 26 Ga. PBR - Polar White

APPROVAL DRAWINGS

- APPROVED AS DRAWN
- APPROVED AS NOTED
- NOT APPROVED

____ INITIAL

Please Check And Approve All Dimensions
And Conditions. STANDARD STRUCTURES
Must Be Notified Of Any Changes.

SSI STANDARD STRUCTURES INC.
MANUFACTURER OF METAL BUILDINGS & COMPONENTS

P.O. BOX 1912
ODESSA, TX. 79760
1-800-240-0335



ACCREDITED™
Metal Building Systems
AC 472

APPROVAL & PERMIT

JOB NAME: Richard Suess
PROJECT NAME: Norris Hangar

JOB LOCATION: Berryville, AR 72616

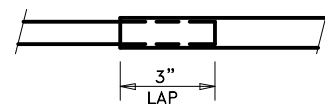
DRAWING TITLE: *ROOF FRAMING PLAN*

DATE: 3/26/25

DET:

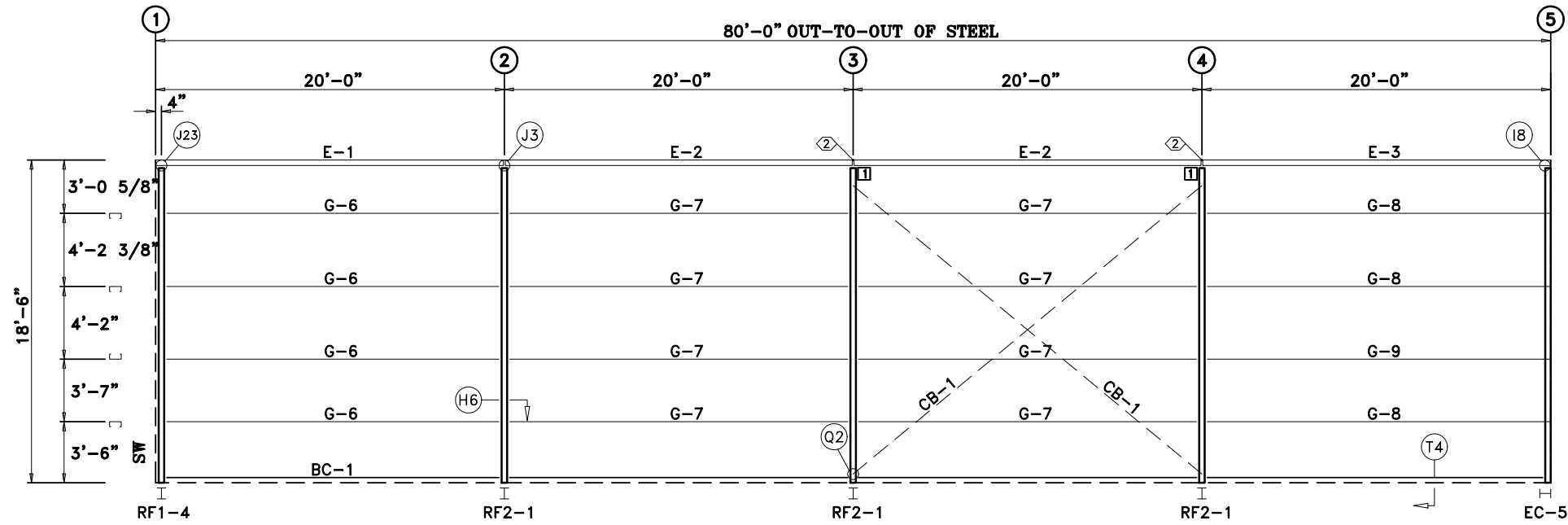
JOB NO.: 25016

PG.: E-4

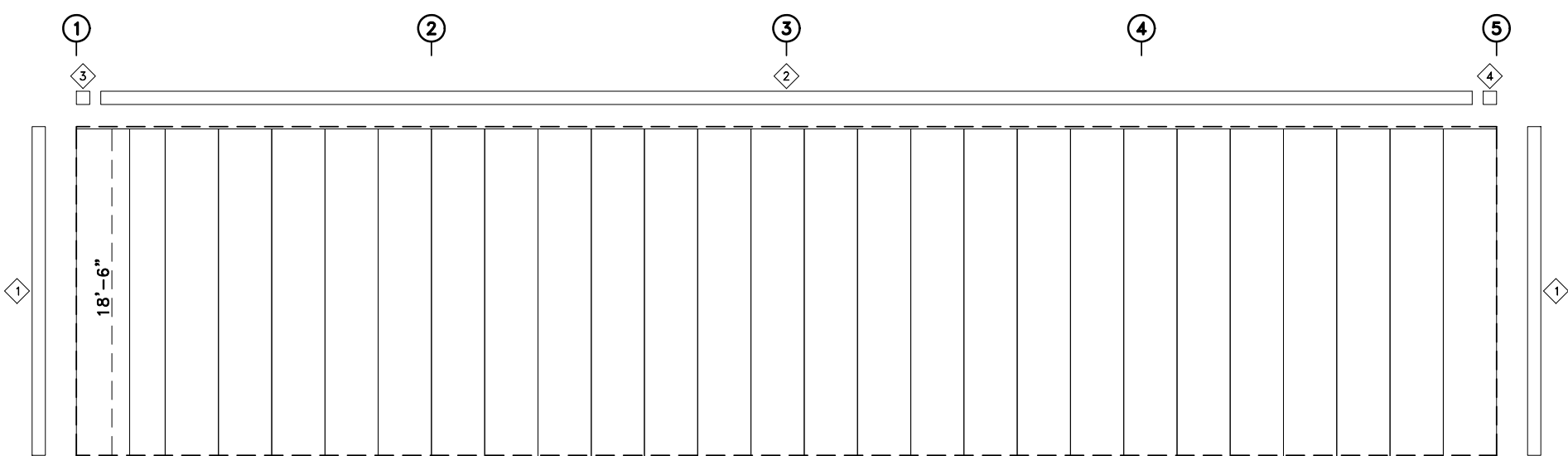


ALL TRIM LAPS ARE TO BE 3" LONG

NOTE: If Trim Lap Is More Than 3" Long, The Trim May Not Cover The Required Coverage Length.



SIDEWALL FRAMING: FRAME LINE A



SIDEWALL SHEETING & TRIM: FRAME LINE A
PANELS: 26 Ga. PBR - Ash Gray

TRIM TABLE				
FRAME LINE A				
ID	QUAN	PART	LENGTH	DETAIL
1	2	CRNTR243	18'-7"	TRIM #2
2	8	EAVR123	10'-3"	TRIM #4
3	1	RAKEECLH	6"	TRIM #17
4	1	RAKEECRH	6"	TRIM #17

MEMBER TABLE				
FRAME LINE A				
QUAN	MARK	PART	LENGTH	
1	E-1	82LEDS14	19'-11 1/2"	
2	E-2	82LEDS14	19'-11 1/2"	
1	E-3	82LEDS14	19'-11 1/2"	
4	G-6	8x25C16	19'-1 1/2"	
8	G-7	8x25C16	19'-5 1/2"	
3	G-8	8x25C16	19'-8 1/2"	
1	G-9	8x25C16	19'-8 1/2"	
2	CB-1	7/16_CBL	24'-1"	

SPECIAL BOLTS					
ID	QUAN	TYPE	DIA	LENGTH	WASH
2	4	A325	1/2"	1 1/4"	0

CONNECTION PLATES			
FRAME LINE A			
ID	QUAN	MARK/PART	
1	2	EEP-2	

APPROVAL DRAWINGS

- APPROVED AS DRAWN
- APPROVED AS NOTED
- NOT APPROVED

____ INITIAL

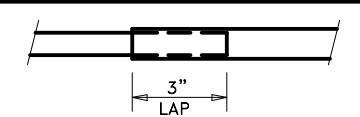
Please Check And Approve All Dimensions
And Conditions. STANDARD STRUCTURES
Must Be Notified Of Any Changes.

SSI STANDARD STRUCTURES INC.
MANUFACTURER OF METAL BUILDINGS & COMPONENTS
P.O. BOX 1912
ODESSA, TX. 79760
1-800-240-0335

IAS
ACCREDITED™
Metal Building Systems
AC 472

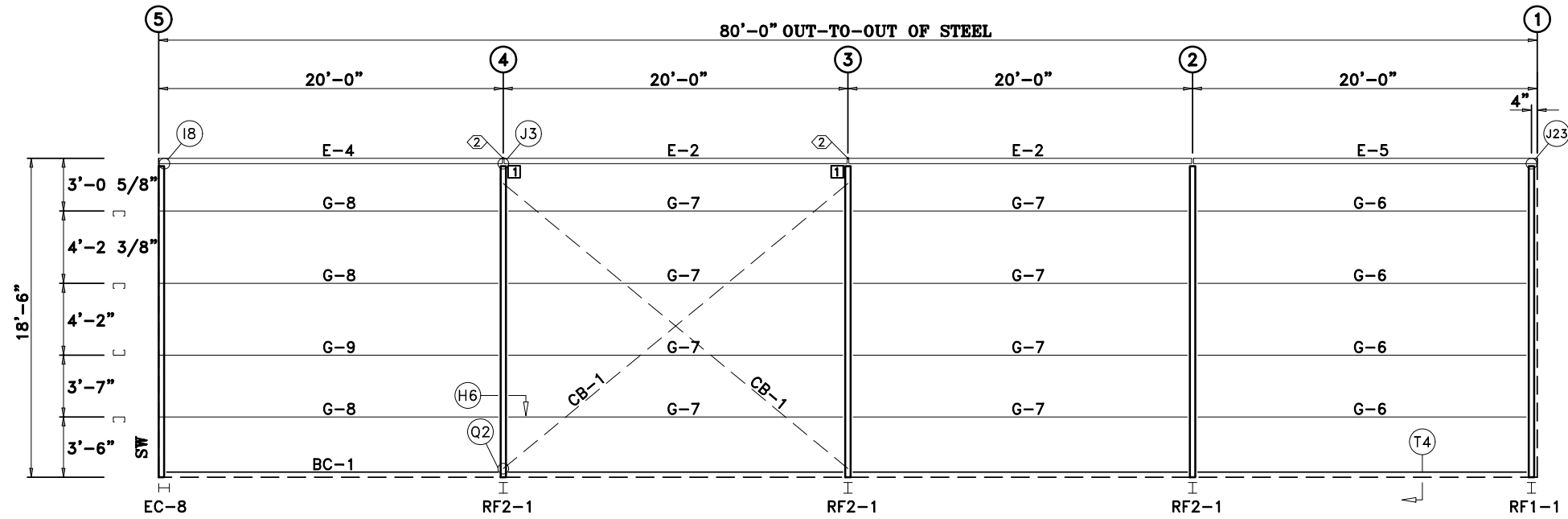
APPROVAL & PERMIT

JOB NAME: Richard Suess
PROJECT NAME: Norris Hangar
JOB LOCATION: Berryville, AR 72616
DRAWING TITLE: *SIDEWALL DRAWING*
DATE: 3/26/25 DET: JOB NO.: 25016 PG.: E-5

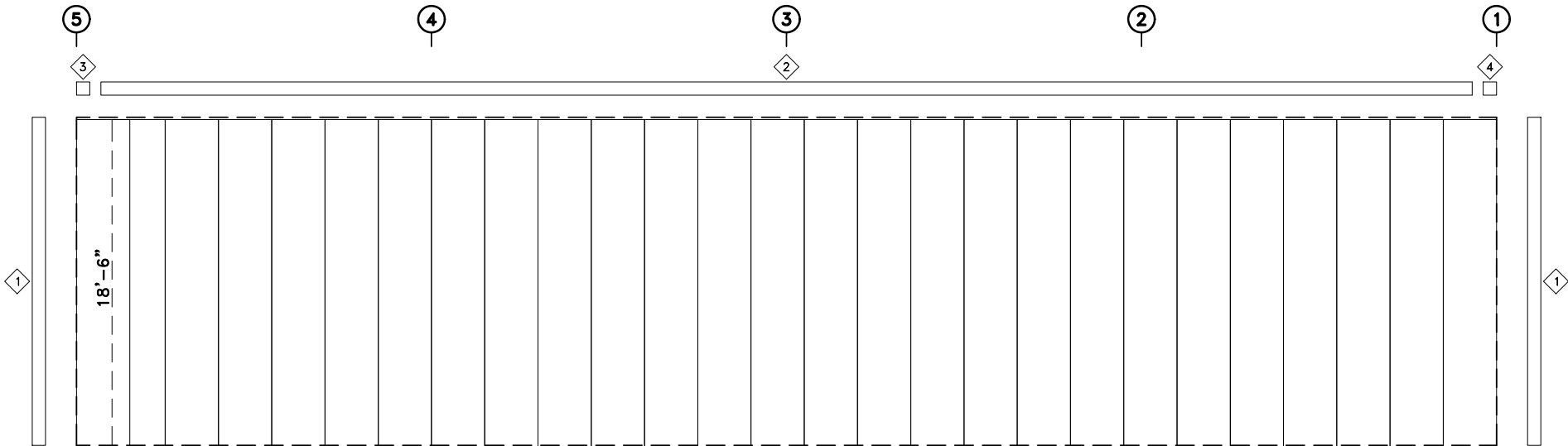


ALL TRIM LAPS ARE TO BE 3" LONG

NOTE: If Trim Lap Is More Than 3" Long, The Trim May Not Cover The Required Coverage Length.



SIDEWALL FRAMING: FRAME LINE F



SIDEWALL SHEETING & TRIM: FRAME LINE F
PANELS: 26 Ga. PBR - Ash Gray

TRIM TABLE				
FRAME LINE F				
ID	QUAN	PART	LENGTH	DETAIL
1	2	CRNTR243	18'-7"	TRIM #2
2	8	EAVR123	10'-3"	TRIM #4
3	1	RAKEECLH	6"	TRIM #17
4	1	RAKEECRH	6"	TRIM #17

MEMBER TABLE				
FRAME LINE F				
QUAN	MARK	PART	LENGTH	
2	E-2	82LEDS14	19'-11 1/2"	
1	E-4	82LEDS14	19'-11 1/2"	
1	E-5	82LEDS14	19'-11 1/2"	
4	G-6	8x25C16	19'-1 1/2"	
8	G-7	8x25C16	19'-5 1/2"	
3	G-8	8x25C16	19'-8 1/2"	
1	G-9	8x25C16	19'-8 1/2"	
2	CB-1	7/16_CBL	24'-1"	

SPECIAL BOLTS					
ID	QUAN	TYPE	DIA	LENGTH	WASH
2	4	A325	1/2"	1 1/4"	0

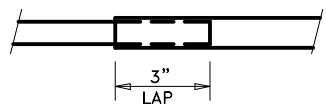
CONNECTION PLATES			
FRAME LINE F			
ID	QUAN	MARK/PART	
1	2	EEP-2	

APPROVAL DRAWINGS

- APPROVED AS DRAWN
- APPROVED AS NOTED
- NOT APPROVED

____ INITIAL

Please Check And Approve All Dimensions And Conditions. **STANDARD STRUCTURES** Must Be Notified Of Any Changes.



ALL TRIM LAPS ARE TO BE 3" LONG

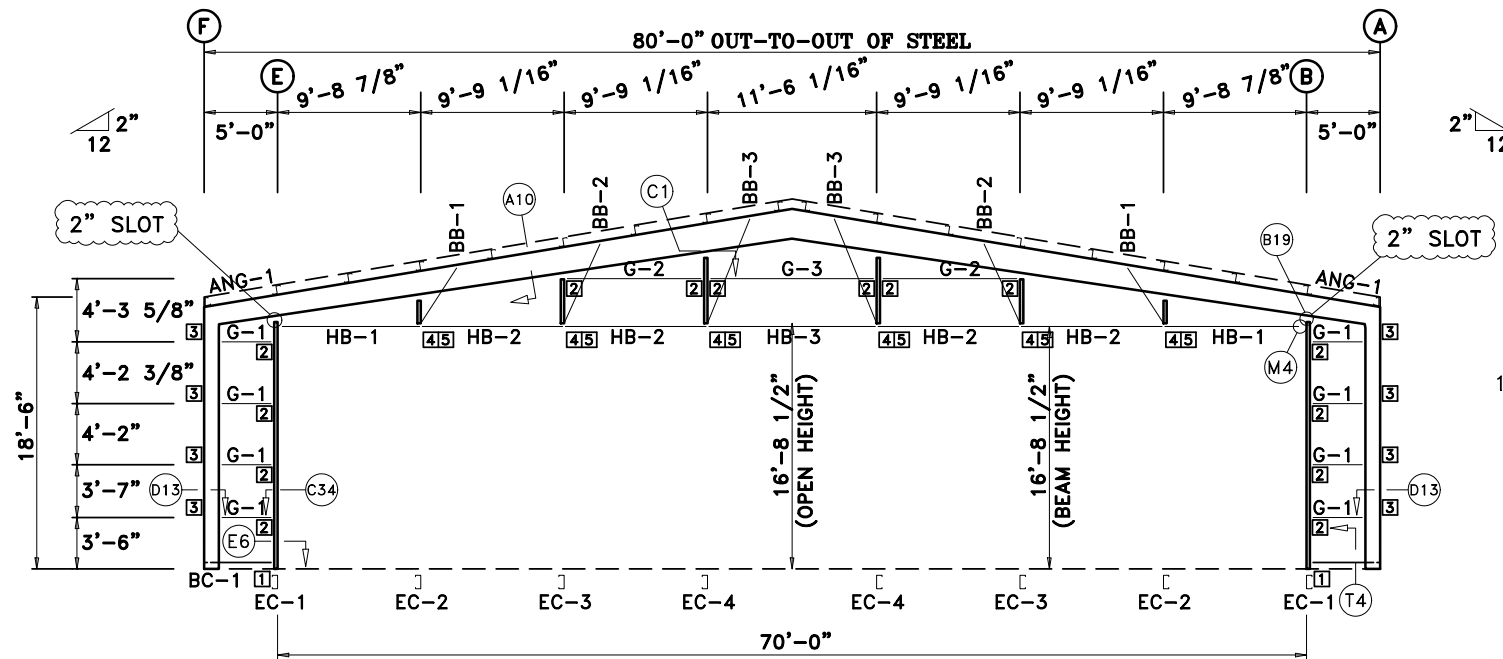
NOTE: If Trim Lap Is More Than 3" Long, The Trim May Not Cover The Required Coverage Length.

SSI STANDARD STRUCTURES INC.
MANUFACTURER OF METAL BUILDINGS & COMPONENTS
P.O. BOX 1912
ODESSA, TX. 79760
1-800-240-0335

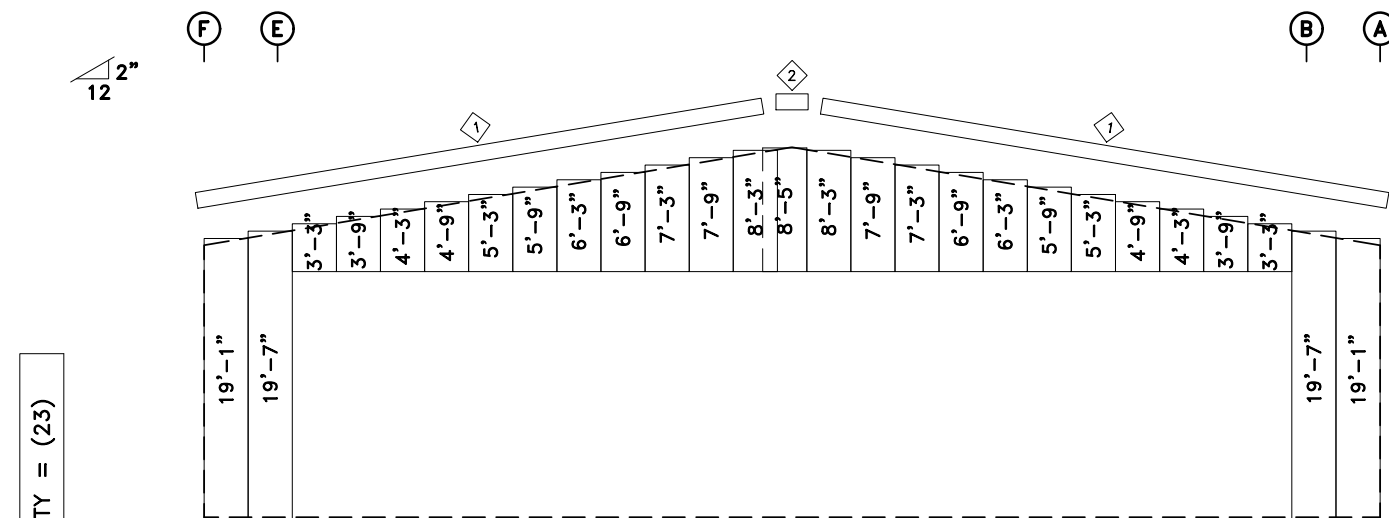
IAS
ACCREDITED™
Metal Building Systems
AC 472

APPROVAL & PERMIT

JOB NAME: Richard Suess
PROJECT NAME: Norris Hangar
JOB LOCATION: Berryville, AR 72616
DRAWING TITLE: *SIDEWALL DRAWING*
DATE: 3/26/25 DET: JOB NO.: 25016 PG.: E-6



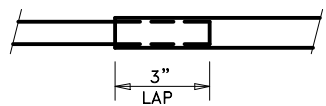
ENDWALL FRAMING: FRAME LINE 1



ENDWALL SHEETING & TRIM: FRAME LINE 1
PANELS: 26 Ga. PBR - Ash Gray

PROVIDE HP DOOR SHEETING
PANELS: 26 Ga. PBR - Ash Gray

QUANTITY = (23)



ALL TRIM LAPS ARE TO BE 3" LONG

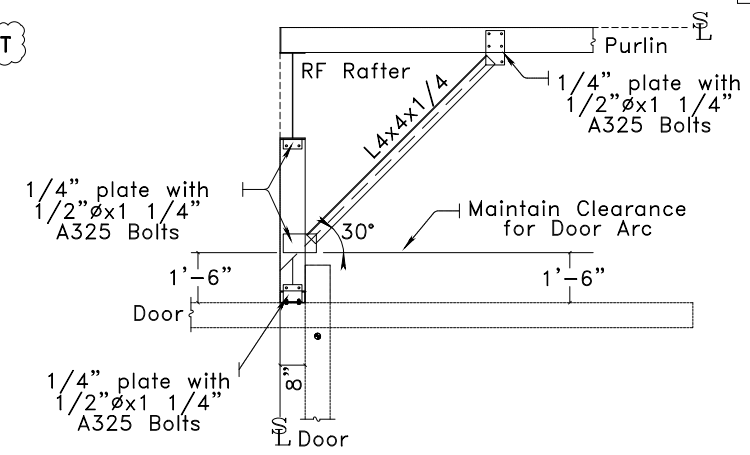
NOTE: If Trim Lap Is More Than 3" Long, The Trim May Not Cover The Required Coverage Length.

TRIM TABLE				
FRAME LINE 1				
ID	QUAN	PART	LENGTH	DETAIL
1	4	RAKER243	20'-8"	TRIM #3
2	1	PEAKBX-R	1'-2"	TRIM #15

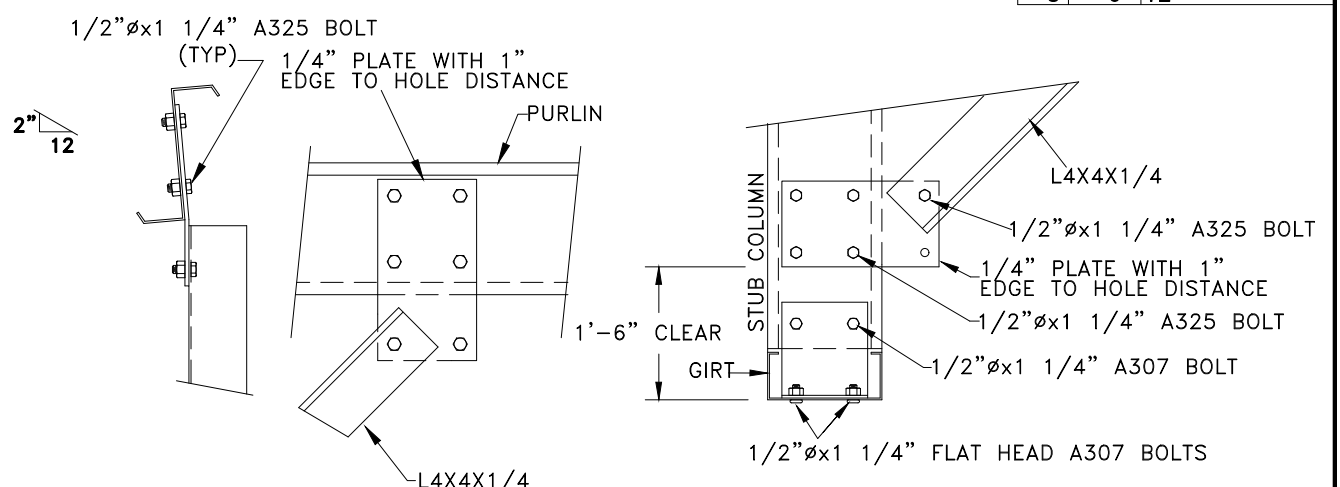
BOLT TABLE				
FRAME LINE 1				
LOCATION	QUAN	TYPE	DIA	LENGTH
Columns/Raf	4	A325	1/2"	1 1/4"
Back Braces	1	A325	1/2"	1 1/4"

MEMBER TABLE				
FRAME LINE 1				
QUAN	MARK	PART	LENGTH	
2	HB-1	8x35C16	9'-4 7/8"	
4	HB-2	8x35C16	9'-5 1/16"	
1	HB-3	8x35C16	11'-5 9/16"	
2	BB-1	L4X4X1/4	TBD Hold @ 30°	
2	BB-2	L4X4X1/4	TBD Hold @ 30°	
2	BB-3	L4X4X1/4	TBD Hold @ 30°	
2	EC-1	8x35C16	17'-1 5/8"	
2	EC-2	8x35C16	1'-10 9/16"	
2	EC-3	8x35C16	3'-4"	
2	EC-4	8x35C16	4'-9 1/2"	
8	G-1	8x25C16	3'-7 3/4"	
2	G-2	8x25C16	9'-5 1/16"	
1	G-3	8x25C16	11'-5 9/16"	

CONNECTION PLATES			
FRAME LINE 1			
ID	QUAN	MARK	PART
1	2	C-104	
2	14	C-5	
3	8	SA-1	
4	6	r1	
5	6	r2	



70' x 16'-8 1/2" HP Door Arc Detail



BACK BRACE TO RIGID FRAME RAFTER

BACK BRACE TO STUB COLUMN

APPROVAL DRAWINGS

- APPROVED AS DRAWN
- APPROVED AS NOTED
- NOT APPROVED

____ INITIAL

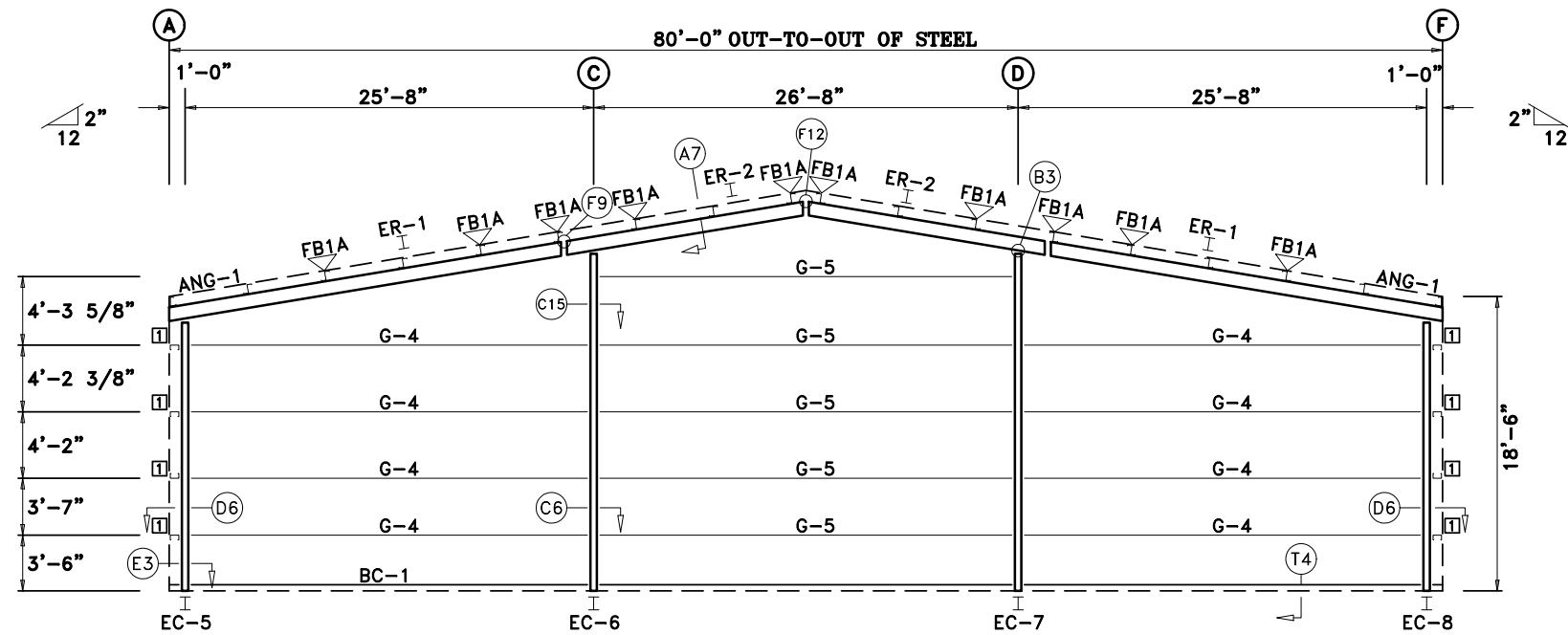
Please Check And Approve All Dimensions And Conditions. STANDARD STRUCTURES Must Be Notified Of Any Changes.

SSI STANDARD STRUCTURES INC.
MANUFACTURER OF METAL BUILDINGS & COMPONENTS
P.O. BOX 1912
ODESSA, TX. 79760
1-800-240-0335

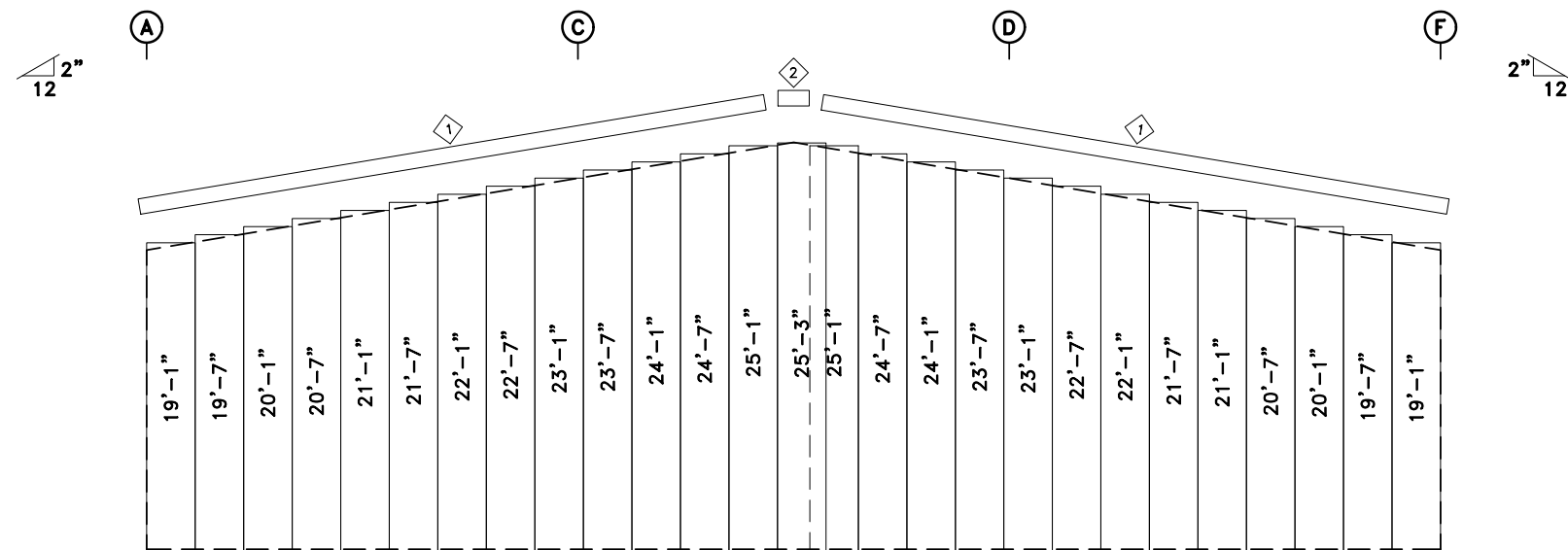
IAS
ACCREDITED™
Metal Building Systems
AC 472

APPROVAL & PERMIT

JOB NAME: Richard Suess
PROJECT NAME: Norris Hangar
JOB LOCATION: Berryville, AR 72616
DRAWING TITLE: ENDWALL DRAWING
DATE: 3/26/25 DET: JOB NO.: 25016 PG.: E-7



ENDWALL FRAMING: FRAME LINE 5



ENDWALL SHEETING & TRIM: FRAME LINE 5

PANELS: 26 Ga. PBR - Ash Gray

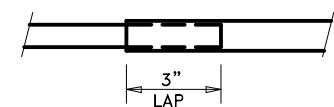
TRIM TABLE				
FRAME LINE 5				
ID	QUAN	PART	LENGTH	DETAIL
1	4	RAKER243	20'-8"	TRIM #3
2	1	PEAKBX-R	1'-2"	TRIM #15

BOLT TABLE				
FRAME LINE 5				
LOCATION	QUAN	TYPE	DIA	LENGTH
ER-1/ER-2	4	A325	5/8"	2"
ER-2/ER-2	4	A325	5/8"	2"
Columns/Raf	4	A325	3/4"	1 3/4"

MEMBER TABLE				
FRAME LINE 5				
QUAN	MARK	PART	LENGTH	
1	EC-5	W8X10	17'-4 1/4"	
1	EC-6	W8X10	21'-7 9/16"	
1	EC-7	W8X10	21'-7 9/16"	
1	EC-8	W8X10	17'-4 1/4"	
2	ER-1	W8X10	25'-4"	
2	ER-2	W8X10	15'-2 5/8"	
8	G-4	8x25C13	25'-3 1/2"	
5	G-5	8x25C13	26'-3 1/2"	

FLANGE BRACE TABLE				
FRAME LINE 5				
ID	QUAN	MARK	LENGTH	
1	10	FB1A	2'-5"	

CONNECTION PLATES				
FRAME LINE 5				
ID	QUAN	MARK/PART		
1	8	SA-1		



ALL TRIM LAPS ARE TO BE 3" LONG

NOTE: If Trim Lap Is More Than 3" Long, The Trim May Not Cover The Required Coverage Length.

APPROVAL DRAWINGS

- APPROVED AS DRAWN
- APPROVED AS NOTED
- NOT APPROVED

____ INITIAL

Please Check And Approve All Dimensions And Conditions. STANDARD STRUCTURES Must Be Notified Of Any Changes.

SSI STANDARD STRUCTURES INC.
MANUFACTURER OF METAL BUILDINGS & COMPONENTS

P.O. BOX 1912
ODESSA, TX. 79760
1-800-240-0335



ACCREDITED™
Metal Building Systems
AC 472

APPROVAL & PERMIT

JOB NAME: Richard Suess
PROJECT NAME: Norris Hangar

JOB LOCATION: Berryville, AR 72616

DRAWING TITLE: ENDWALL DRAWING

DATE: 3/26/25

DET:

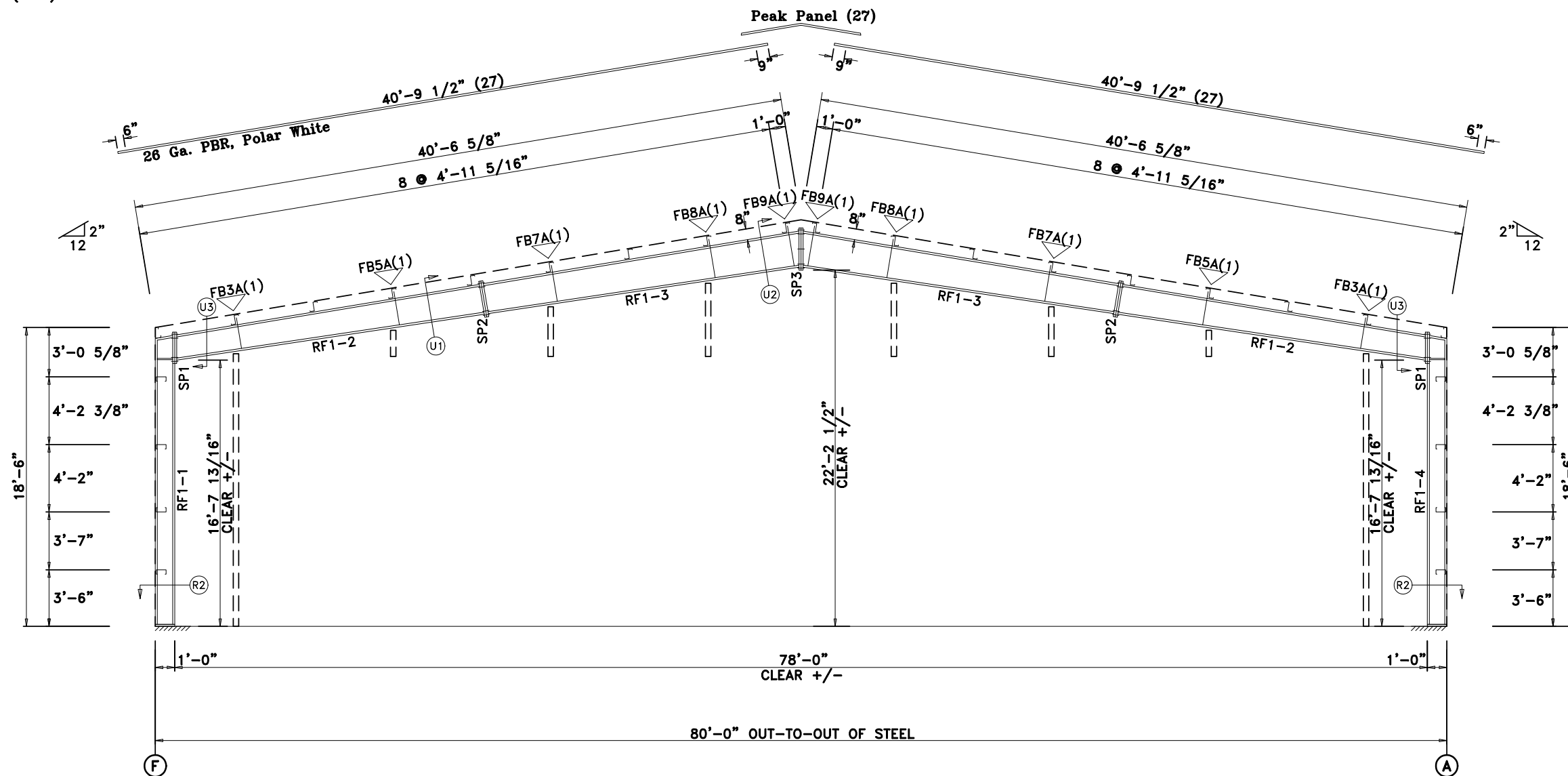
JOB NO.: 25016

PG.: E-8

SPLICE PLATE & BOLT TABLE									
Mark	Qty		Int	Type	Dia	Length	Width	Thick	Length
	Top	Bot							
SP1	4	4	0	A325	3/4"	2"	6"	1/2"	1'-10 1/2"
SP2	4	4	0	A325	5/8"	1 3/4"	6"	3/8"	2'-2 1/2"
SP3	4	4	2	A325	3/4"	2"	6"	1/2"	2'-6 1/2"

MEMBER TABLE								
Mark	Web Depth		Web Plate Thick	Length	Outside Flange		Inside Flange	
	Start	End			W x Thk x Length	W x Thk x Length		
RF1-1	11.4	11.4	0.188	180.0	6 x 1/4" x 213.3	6 x 5/16" x 196.2		
	11.4	11.4	0.250	35.2	6 x 1/4" x 11.8			
RF1-2	15.5	19.5	0.188	235.1	6 x 1/4" x 232.5	6 x 1/4" x 235.1		
RF1-3	19.5	23.5	0.188	240.0	6 x 1/4" x 240.0	6 x 1/4" x 236.1		
RF1-4	11.4	11.4	0.250	35.2	6 x 1/4" x 11.8	6 x 5/16" x 196.2		
	11.4	11.4	0.188	180.0	6 x 1/4" x 213.3			

▽ FLANGE BRACES: Both Sides(U.N.)
 FBxxA(1)
 A - F2X2X14g



RIGID FRAME SECTION: FRAME LINE 1

APPROVAL DRAWINGS

- APPROVED AS DRAWN
- APPROVED AS NOTED
- NOT APPROVED

____ INITIAL

Please Check And Approve All Dimensions
 And Conditions. STANDARD STRUCTURES
 Must Be Notified Of Any Changes.

SSI STANDARD STRUCTURES INC.

MANUFACTURER OF METAL BUILDINGS & COMPONENTS

P.O. BOX 1912
 ODESSA, TX. 79760
 1-800-240-0335



ACCREDITED™
 Metal Building Systems
 AC 472

APPROVAL & PERMIT

JOB NAME: Richard Suess
 PROJECT NAME: Norris Hangar

JOB LOCATION: Berryville, AR 72616

DRAWING TITLE: RIGID FRAME SECTION

DATE: 3/26/25

DET:

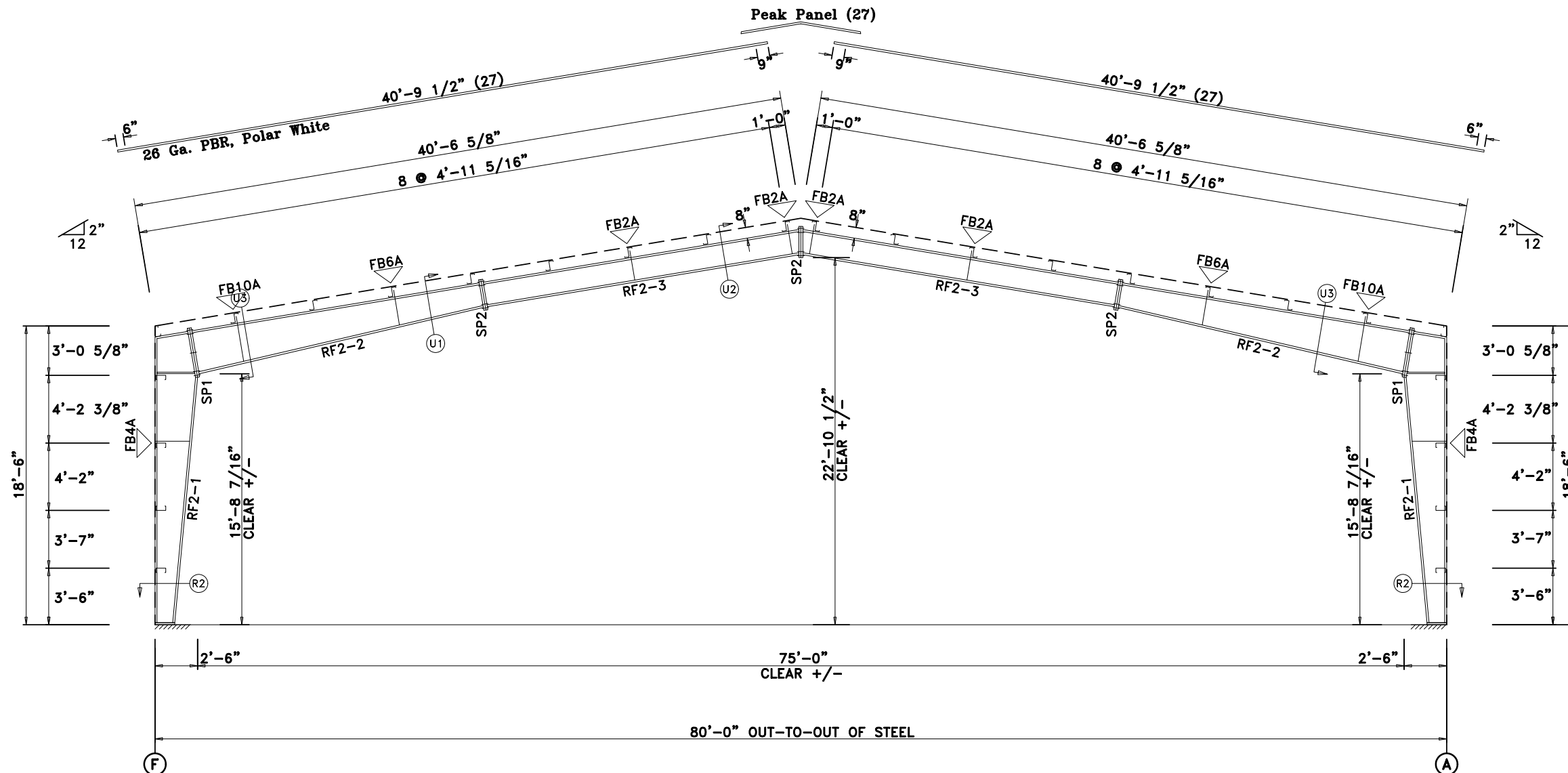
JOB NO.: 25016

PG.: E-9

SPLICE PLATE & BOLT TABLE									
Mark	Qty		Int	Type	Dia	Length	Width	Thick	Length
	Top	Bot							
SP1	4	4	2	A325	3/4"	2"	6"	1/2"	3'-0 1/2"
SP2	4	4	0	A325	5/8"	1 3/4"	6"	3/8"	1'-10 1/2"

MEMBER TABLE						
Mark	Web Depth		Web Plate		Outside Flange W x Thk x Length	Inside Flange W x Thk x Length
	Start	End	Thick	Length		
RF2-1	11.5	23.2	0.188	120.0	6 x 1/4" x 213.1	6 x 1/4" x 185.6
	23.2	29.5	0.250	97.2	6 x 1/4" x 24.6	
RF2-2	29.5	15.5	0.188	219.8	6 x 1/4" x 219.8	6 x 5/16" x 220.2
RF2-3	15.5	15.5	0.188	240.0	6 x 1/4" x 240.0	6 x 1/4" x 237.4

FLANGE BRACES: Both Sides(U.N.)
 FBxxA(1)
 A - F2X2X14g



RIGID FRAME SECTION: FRAME LINE 2 3 4

APPROVAL DRAWINGS

- APPROVED AS DRAWN
- APPROVED AS NOTED
- NOT APPROVED

____ INITIAL

Please Check And Approve All Dimensions
 And Conditions. STANDARD STRUCTURES
 Must Be Notified Of Any Changes.

SSI STANDARD STRUCTURES INC.
 MANUFACTURER OF METAL BUILDINGS & COMPONENTS
 P.O. BOX 1912
 ODESSA, TX. 79760
 1-800-240-0335

IAS
 ACCREDITED™
 Metal Building Systems
 AC 472

APPROVAL & PERMIT

JOB NAME: Richard Suess
 PROJECT NAME: Norris Hangar

JOB LOCATION: Berryville, AR 72616

DRAWING TITLE: RIGID FRAME SECTION

DATE: 3/26/25 DET: JOB NO.: 25016 PG.: E-10