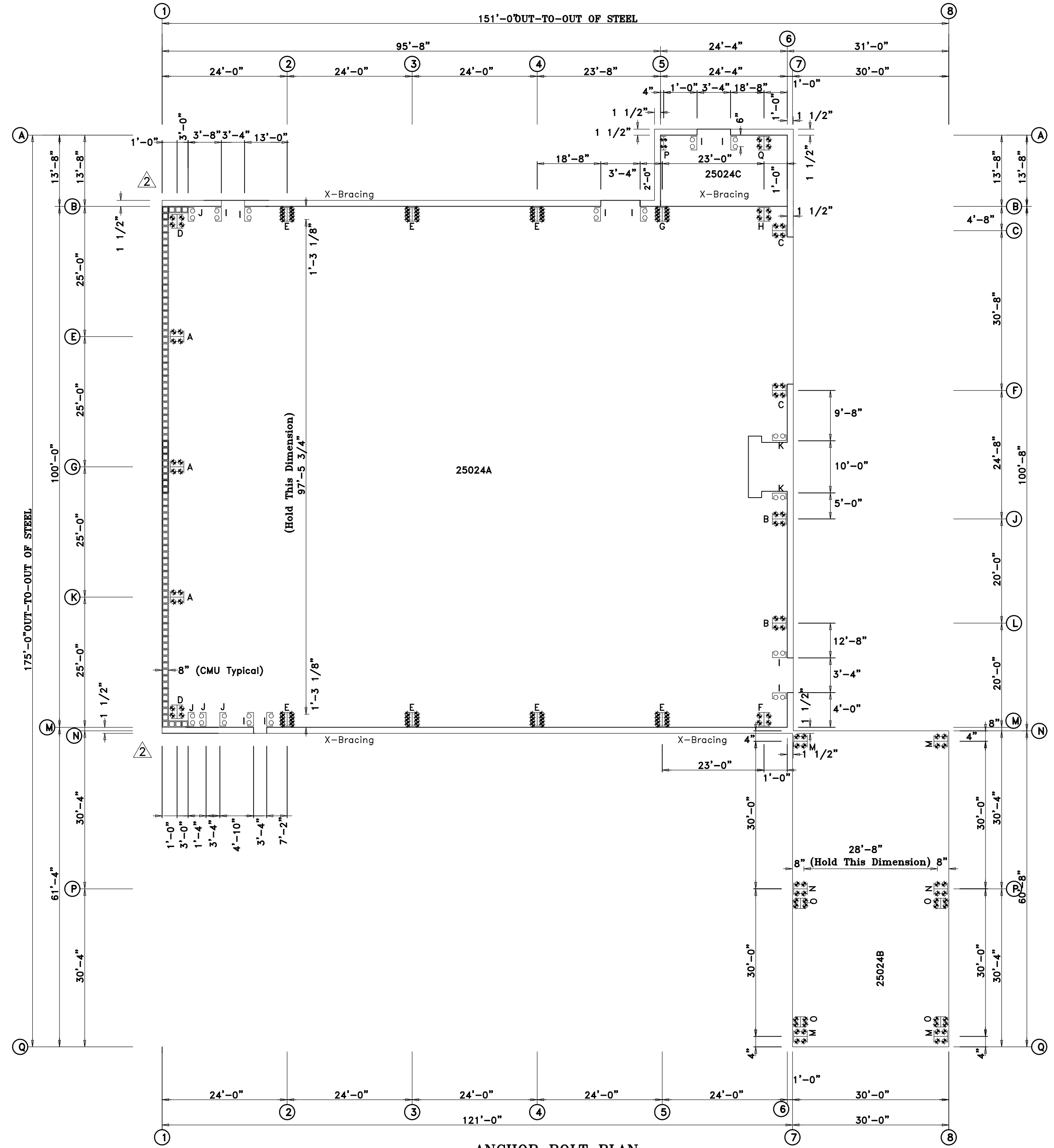
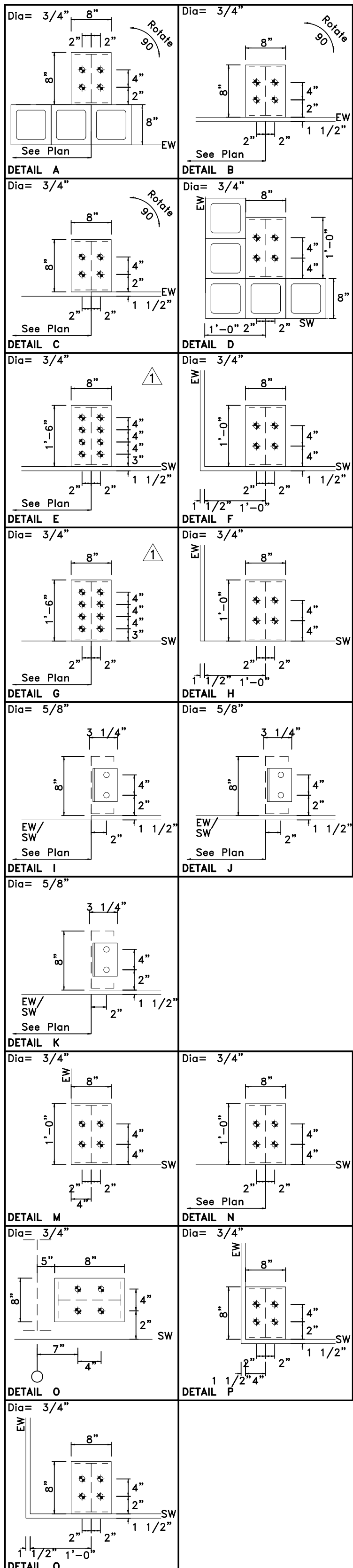


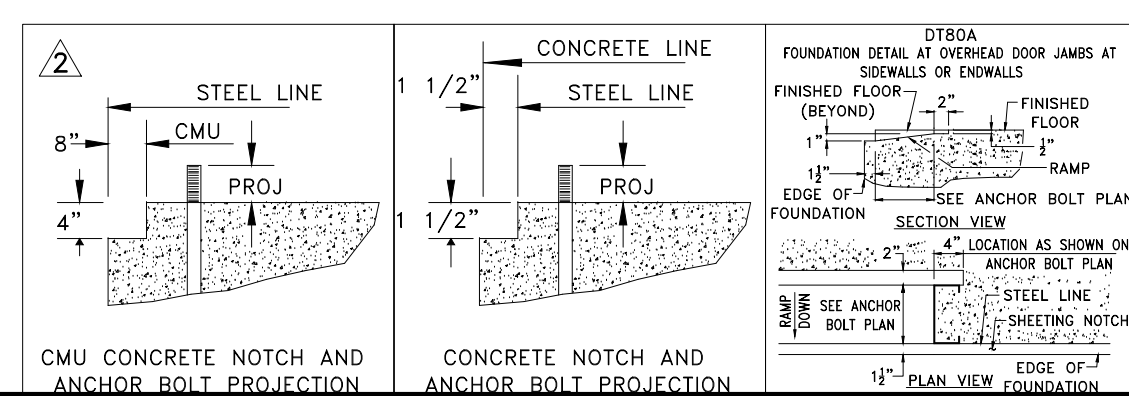
Standard Structures, Inc.

Job# 25024
Final Design

REV.	By	Date	Explanation
1	CH	6/16/26	Designer fixed rounding error
2	CH	6/16/26	Removed Veneer on CMU added 4" recess on slab.



ANCHOR BOLT PLAN
NOTE: All Base Plates @ 100'-0" (U.N.)



APPROVAL DRAWINGS

APPROVED AS DRAWN
 APPROVED AS NOTED
 NOT APPROVED

____ INITIAL

Please Check And Approve All Dimensions
And Conditions. STANDARD STRUCTURES
Must Be Notified Of Any Changes.

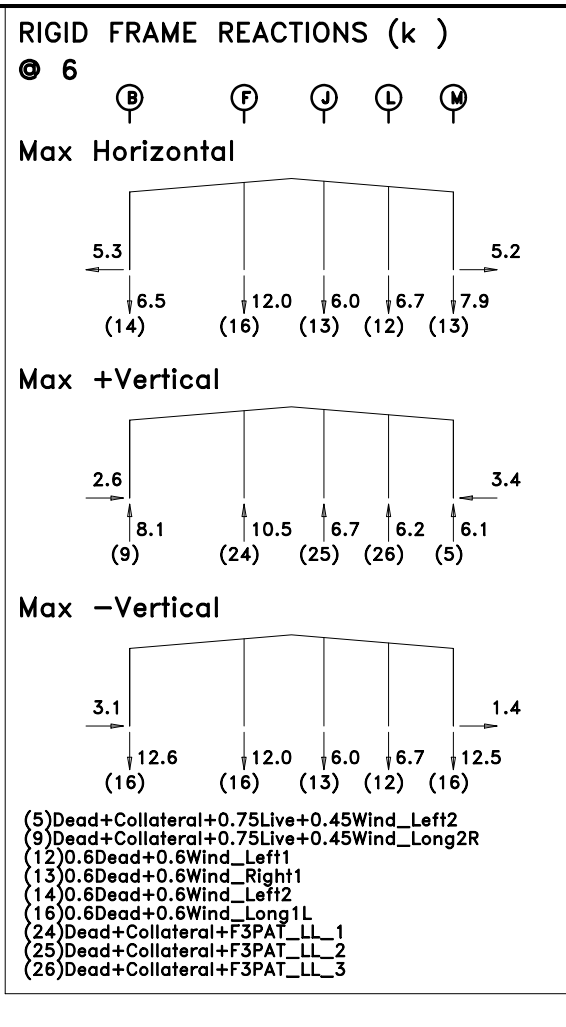
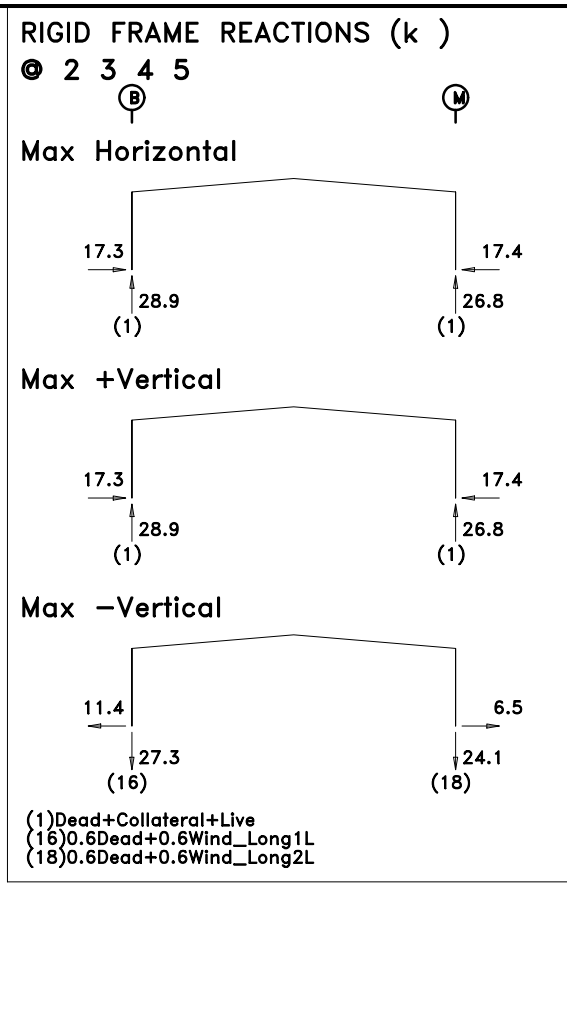
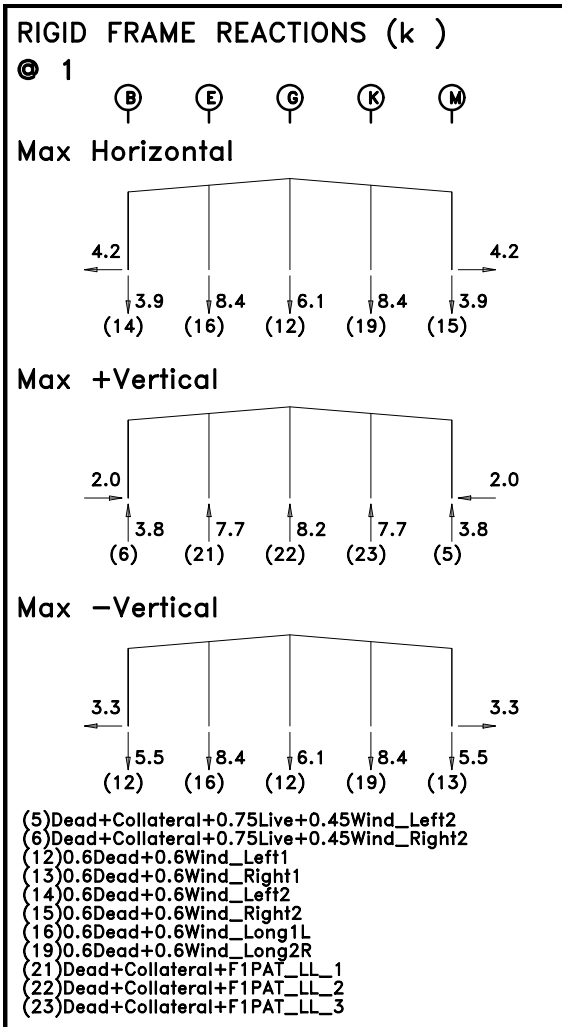
SSI STANDARD STRUCTURES INC.
MANUFACTURER OF METAL BUILDINGS & COMPONENTS

P.O. BOX 1912
ODESSA, TX. 79760
1-800-240-0335

IAS ACCREDITED™
Metal Building Systems
AC 472

APPROVAL & PERMIT

JOB NAME: Monomoy Construction Services
PROJECT NAME: Bartow
JOB LOCATION: Bartow, FL 33830
DRAWING TITLE: ANCHOR BOLT PLAN
DATE: 6/13/25 DET: _____ JOB NO.: 25024 PG.: E-1



ENDWALL COLUMN REACTIONS(k)

Frame Line	Col Line	Max Horz	Max Vert	Load Id
6	C	1.1	0.3	(35)
6	C	0.6	0.0	(20)
6	C	0.0	0.0	(a)

(a) Load combinations do not produce a max for this direction
 (20) 1.01Dead+1.01Collateral+0.53Seismic_Right
 (35) 0.6Dead+0.6Wind_Right2+0.6Wind_Suction

NOTES FOR REACTIONS BLDG A

Building reactions are based on the following building data:

- Width (ft) = 100.0
- Length (ft) = 120.0
- Eave Height (ft) = 24.0
- Roof Slope (rise/12) = 1.0
- Roof Dead Load (psf) = 2.8
- Roof Live Load (psf) = 20.0
- Frame Live Load (psf) = 12.0
- Collateral Load (psf) = 5.0
- Wind Speed (mph) = 140.0
- Wind Code = FBC 23
- Exposure = C
- Closure = Enclosed
- Internal Wind Coeff = -0.18, +0.18
- Risk Category = II - Normal
- Importance - Seismic = 1.00
- Seismic Design Category = A

ANCHOR BOLT SUMMARY

Qty	Locate	Dia (in)	Type	Total Len (in)	Proj (in)
28	Jamb	5/8"	A307	12.0	1.50
28	Endwall	3/4"	A307	18.0	2.00
80	Frame	3/4"	A307	18.0	2.00

BUILDING BRACING REACTIONS

Loc	Line	± Reactions(k)	Panel Shear (lb/ft)	Note		
		0.6Wind	Seismic			
		Horz	Vert			
L_EW	1	5.8	5.5	0.3	0.3	(h)
F_SW	M	5.8	5.7	0.3	0.3	
R_EW	6	8.1	7.9	0.4	0.4	(h)
B_SW	B	3.2	8.1	7.5	0.4	0.4

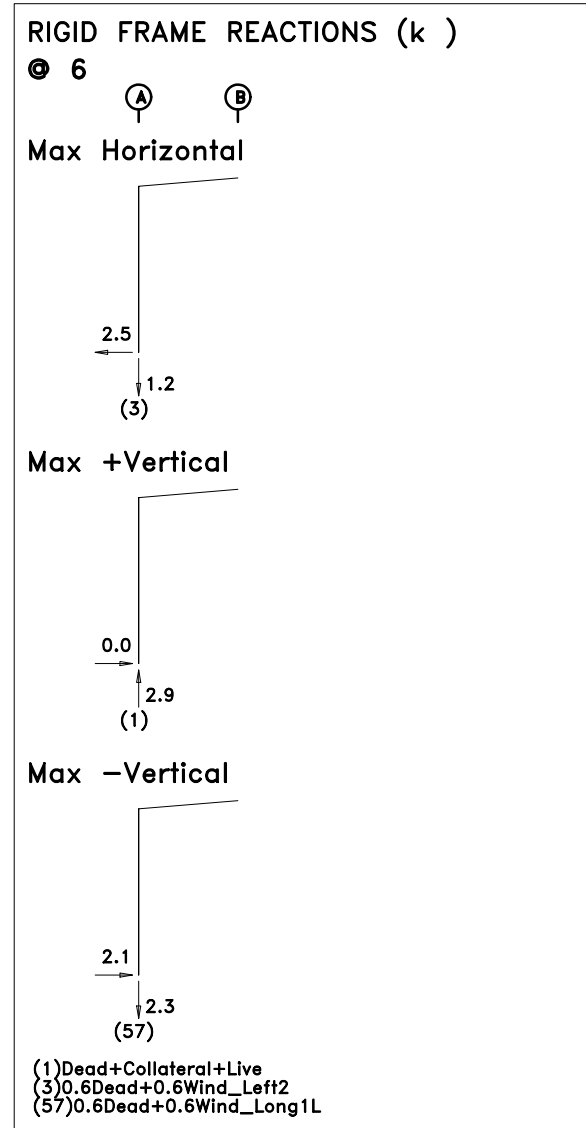
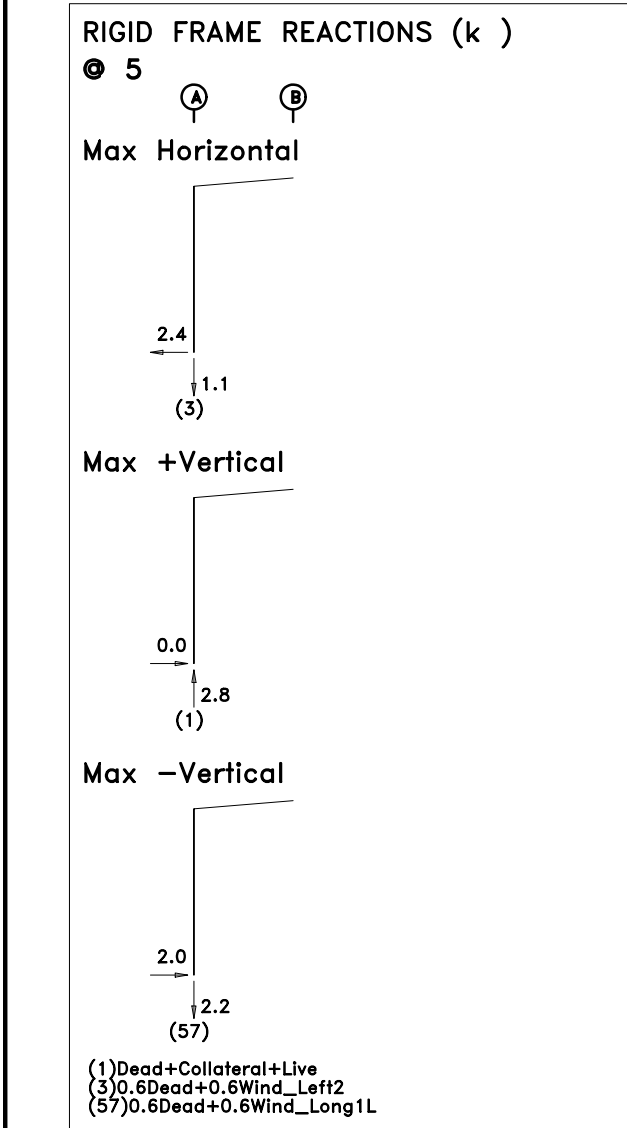
(h) Rigid frame at endwall

Reactions for seismic represent shear force, Eh

NOTES FOR REACTIONS BLDG C

Building reactions are based on the following building data:

- Width (ft) = 13.7
- Length (ft) = 24.3
- Eave Height (ft) = 22.9
- Roof Slope (rise/12) = 1.0
- Roof Dead Load (psf) = 4.0
- Roof Live Load (psf) = 20.0
- Frame Live Load (psf) = 12.0
- Collateral Load (psf) = 5.0
- Wind Speed (mph) = 140.0
- Wind Code = FBC 23
- Exposure = C
- Closure = Enclosed
- Internal Wind Coeff = -0.18, +0.18
- Risk Category = II - Normal
- Importance - Seismic = 1.00
- Seismic Design Category = A



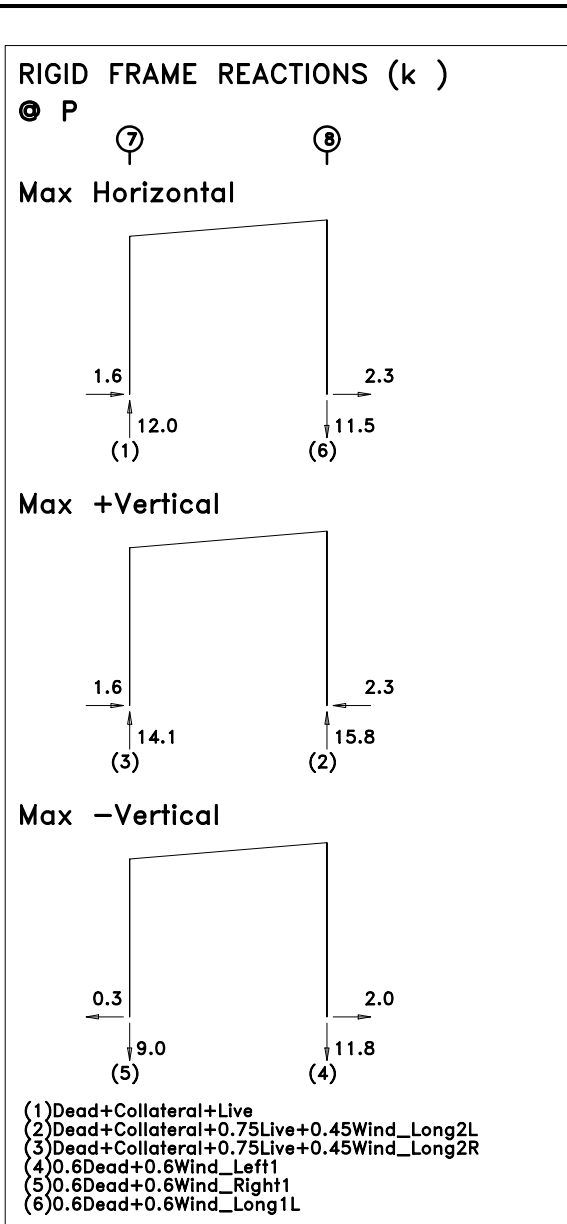
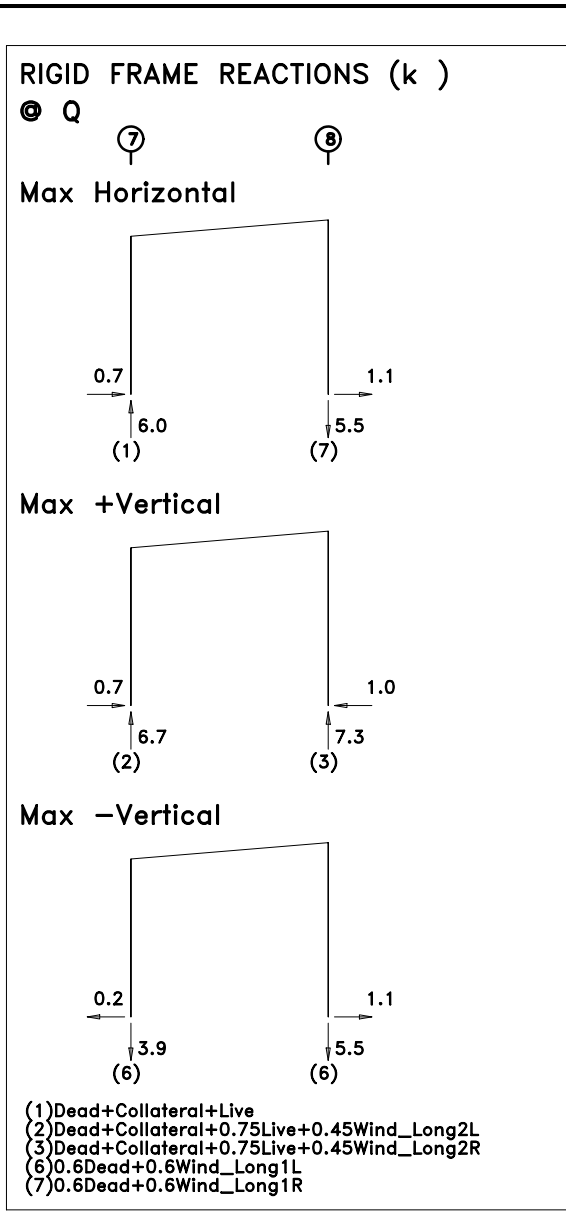
ANCHOR BOLT SUMMARY

Qty	Locate	Dia (in)	Type	Total Len (in)	Proj (in)
4	Jamb	5/8"	A307	12.0	1.50
8	Frame	3/4"	A307	18.0	2.00

BUILDING BRACING REACTIONS

Loc	Line	± Reactions(k)	Panel Shear (lb/ft)	Note
		0.6Wind	Seismic	
		Horz	Vert	
L_EW	5	Braced by building A		
F_SW	B	Braced by building A		
R_EW	6	Braced by building A		
B_SW	A	Torsional Bracing Used		

Reactions for seismic represent shear force, Eh

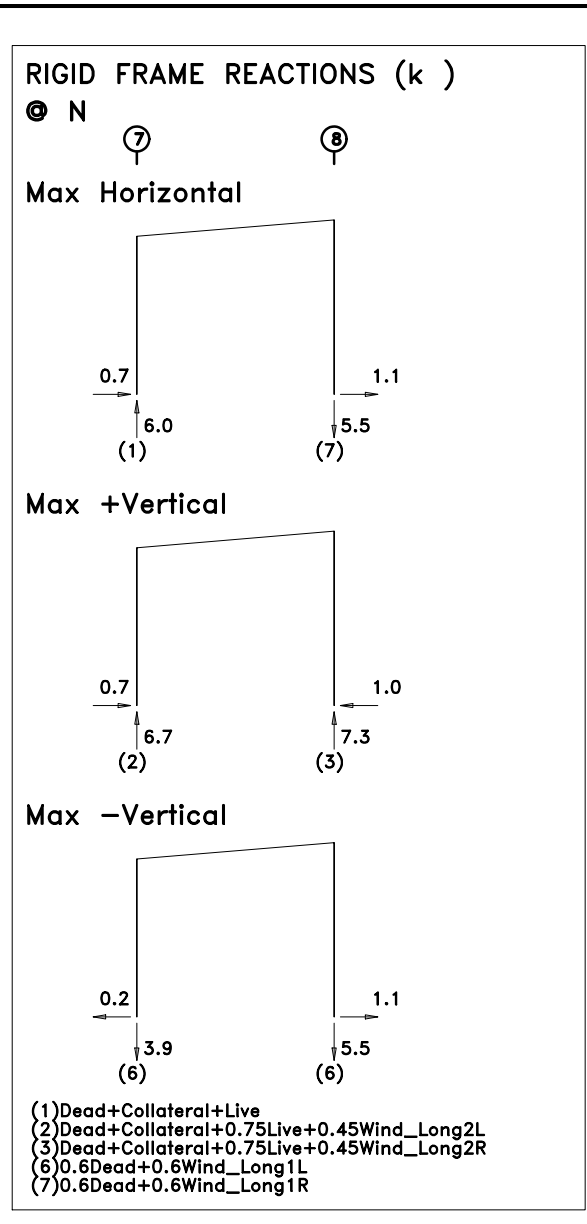


ANCHOR BOLT SUMMARY

Qty	Locate	Dia (in)	Type	Total Len (in)	Proj (in)
24	Frame	3/4"	A307	18.0	2.00
16	WindCol	3/4"	A307	18.0	2.00

WIND BENT REACTIONS

Wall Loc	Line	Col Line	0.6Wind Horz	± Reactions (k)	Seismic (k)
				Horz	Vert
F_SW	8	Q	2.9	4.9	0.1
F_SW	8	P	2.9	4.9	0.1
B_SW	7	P	2.8	4.1	0.1
B_SW	7	Q	2.8	4.1	0.1



BUILDING BRACING REACTIONS

Wall Loc	Col Line	± Reactions(k)	Panel Shear (lb/ft)	Note
		0.6Wind	Seismic	
		Horz	Vert	
L_EW	Q	Rigid frame at endwall		
F_SW	8	Q,P Wind bent in bay		
R_EW	N	Rigid frame at endwall		
B_SW	7	Q,P Wind bent in bay		

Reactions for seismic represent shear force, Eh

APPROVAL DRAWINGS

APPROVED AS DRAWN
 APPROVED AS NOTED
 NOT APPROVED

____ INITIAL

Please Check And Approve All Dimensions And Conditions. STANDARD STRUCTURES Must Be Notified Of Any Changes.

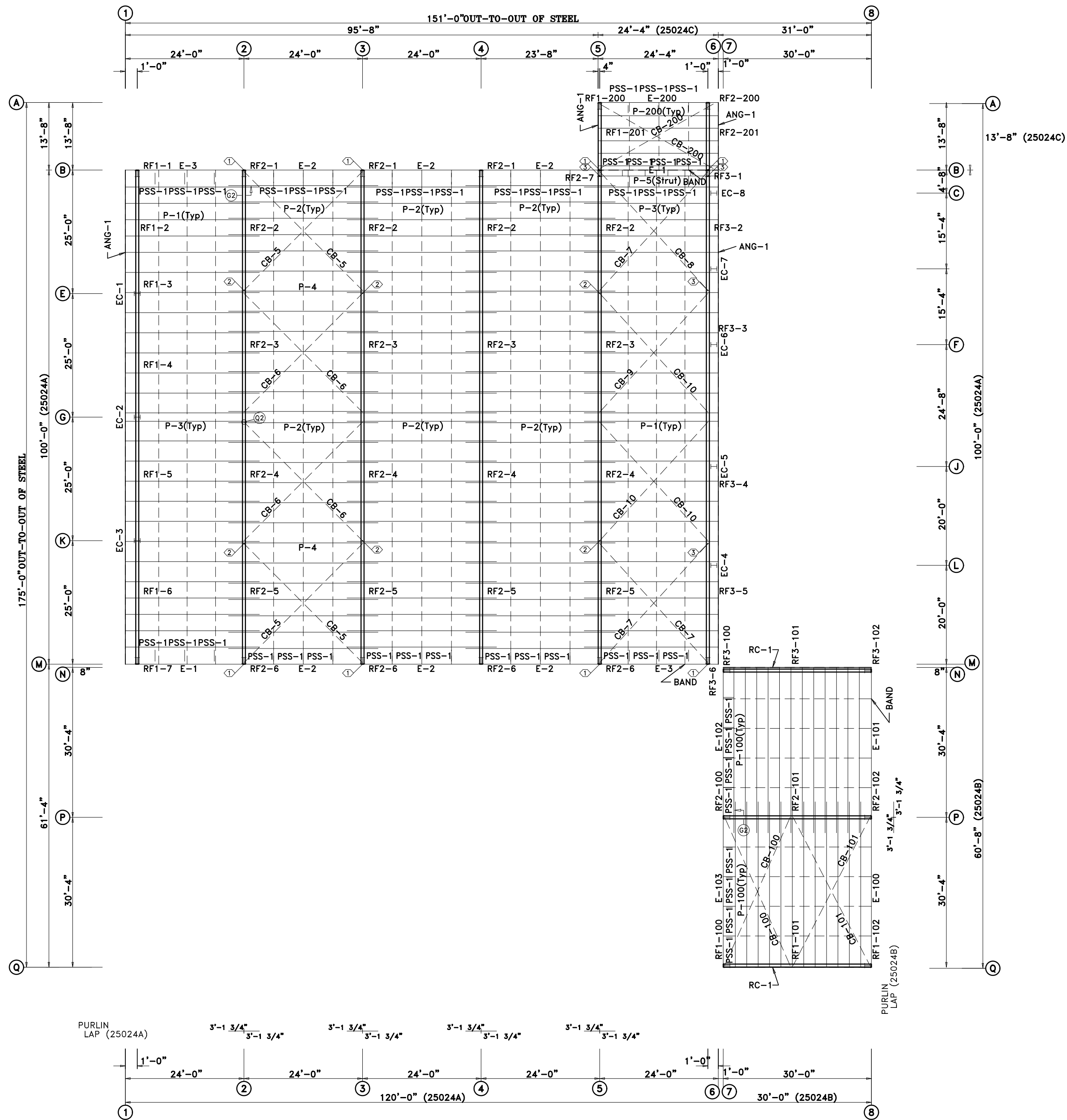
SSI STANDARD STRUCTURES INC.
 MANUFACTURER OF METAL BUILDINGS & COMPONENTS

P.O. BOX 1912
 ODESSA, TX. 79760
 1-800-240-0335

IAS
 ACCREDITED™
 Metal Building Systems
 AC 472

APPROVAL & PERMIT

JOB NAME: Monomy Construction Services
 PROJECT NAME: Bartow
 JOB LOCATION: Bartow, FL 33830
 DRAWING TITLE: ANCHOR BOLT REACTIONS
 DATE: 6/13/25 DET: JOB NO.: 25024 PG.: E-2



ROOF FRAMING PLAN

MEMBER TABLE				
ROOF PLAN				
QUAN	MARK	PART	LENGTH	
25024A				
26	P-1	8x25Z13	27'-1 1/2"	
76	P-2	8x25Z16	30'-3 1/2"	
26	P-3	8x25Z13	27'-1 1/2"	
1	P-4	8x25Z16	30'-3 1/2"	
2	P-5	8x25Z14	23'-7 1/2"	
2	E-1	8LEDS14	23'-11 1/2"	
6	E-2	8LEDS14	23'-11 1/2"	
2	E-3	8LEDS14	23'-11 1/2"	
4	CB-5	3/8_CBL	32'-0"	
4	CB-6	1/4_CBL	32'-6"	
3	CB-7	3/8_CBL	31'-4"	
1	CB-8	3/8_CBL	31'-7"	
1	CB-9	1/4_CBL	31'-7"	
3	CB-10	1/4_CBL	31'-10"	
34	PSS-1	8x35C16	3'-3 3/4"	
25024B				
24	P-100	8x25Z13	33'-5 1/2"	
1	E-100	8HEDS12	30'-3 1/2"	
1	E-101	8HEDS12	30'-3 1/2"	
1	E-102	8LEDS12	30'-3 1/2"	
1	E-103	8LEDS12	30'-3 1/2"	
2	CB-100	1/4_CBL	31'-4"	
2	CB-101	1/4_CBL	32'-4"	
8	PSS-1	8x35C16	2'-3 3/4"	
25024C				
5	P-200	8x25Z13	24'-3 1/2"	
1	E-200	8LEDS14	24'-3 1/2"	
2	CB-200	1/4_CBL	24'-8"	
3	PSS-1	8x35C16	2'-6 1/2"	

SPECIAL BOLTS					
ROOF PLAN					
ID	QUAN	TYPE	DIA	LENGTH	WASH
1	4	A325	1/2"	1 1/4"	0
2	2	A325	1/2"	1 1/4"	0
3	4	A307	1/2"	1 1/4"	0

APPROVAL DRAWINGS

- APPROVED AS DRAWN
- APPROVED AS NOTED
- NOT APPROVED

____ INITIAL

Please Check And Approve All Dimensions And Conditions. STANDARD STRUCTURES Must Be Notified Of Any Changes.

SSI STANDARD STRUCTURES INC.
 MANUFACTURER OF METAL BUILDINGS & COMPONENTS
 P.O. BOX 1912
 ODESSA, TX. 79760
 1-800-240-0335

IAS
 ACCREDITED™
 Metal Building Systems
 AC 472

APPROVAL & PERMIT

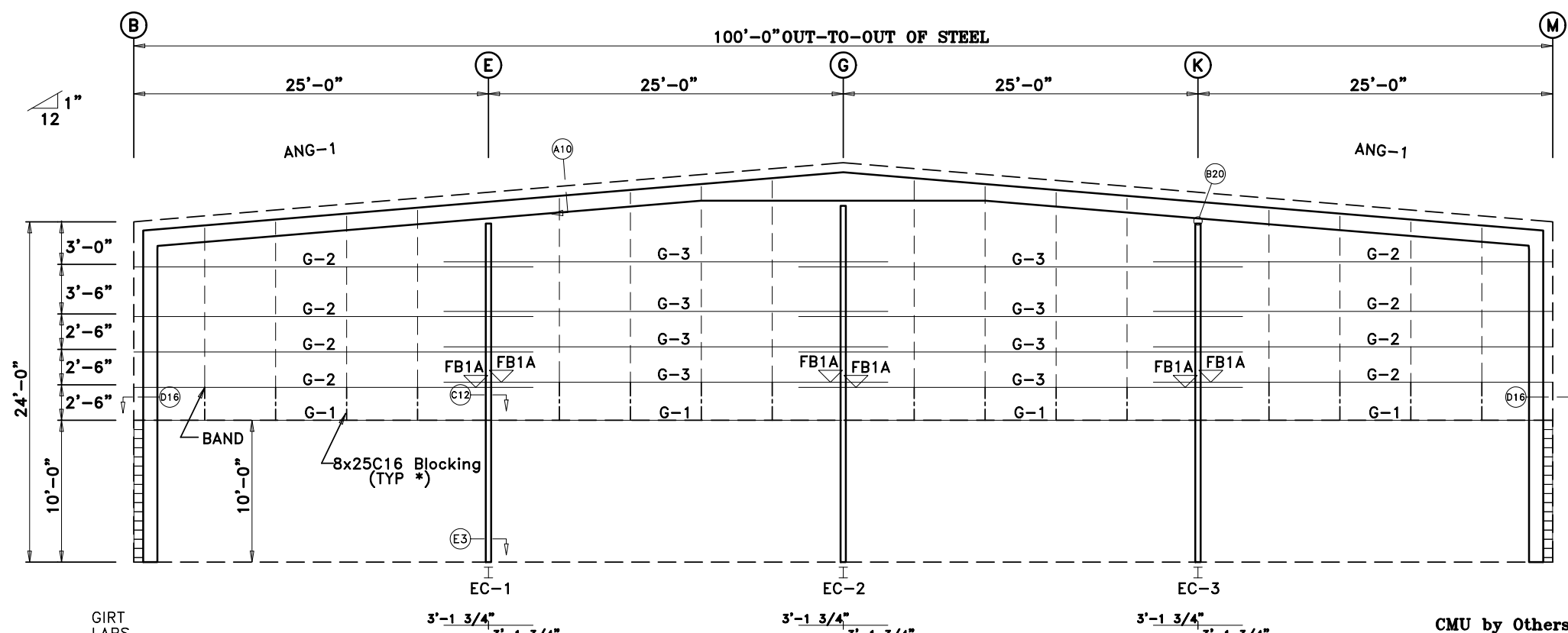
JOB NAME: Monomoy Construction Services
PROJECT NAME: Bartow
JOB LOCATION: Bartow, FL 33830
DRAWING TITLE: ROOF FRAMING PLAN
DATE: 6/13/25 DET: _____ JOB NO.: 25024 PG.: E-3

TRIM TABLE FRAME LINE 1				
ID	QUAN	PART	LENGTH	DETAIL
1	2	CRNTR243	14'-1"	TRIM_2
2	5	HEADR243	20'-3"	TRIM_8
3	6	RAKER243	17'-1"	TRIM_3
4	1	PEAKBX-R	1'-2"	TRIM_15

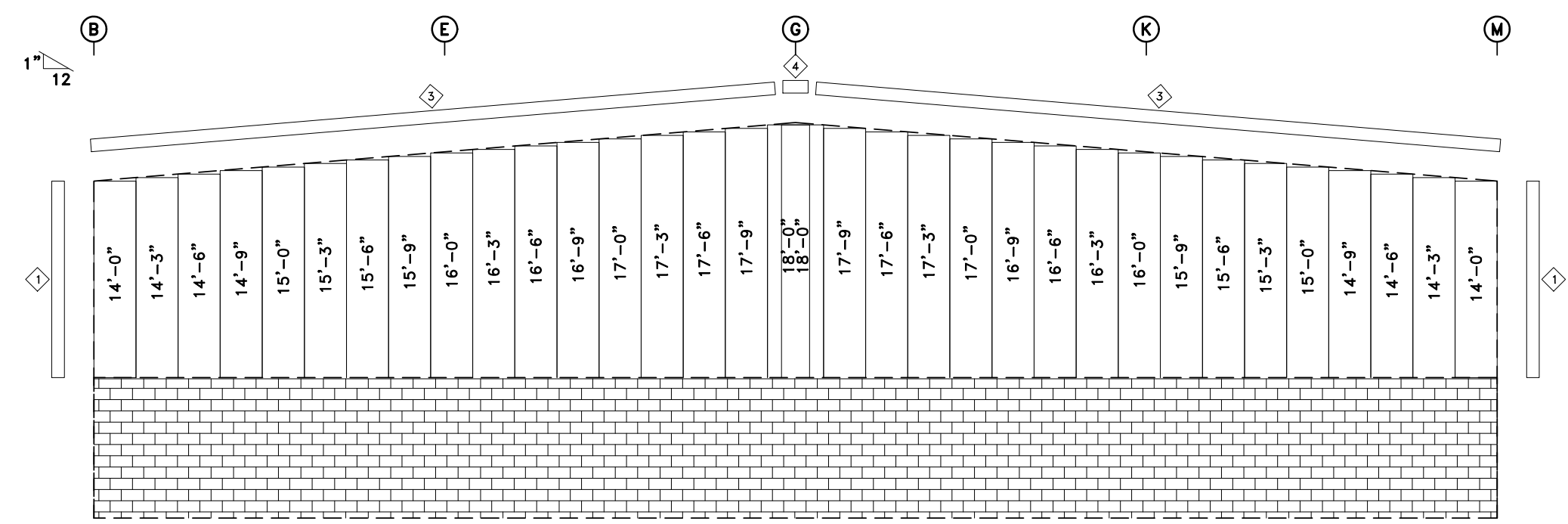
MEMBER TABLE FRAME LINE 1				
QUAN	MARK	PART	LENGTH	
1	EC-1	W8X24	24'-2 15/16"	
1	EC-2	W8X24	25'-5 5/8"	
1	EC-3	W8X24	24'-2 15/16"	
4	G-1	C8x11.5	24'-11 1/2"	
8	G-2	8x25Z16	28'-1 1/2"	
8	G-3	8x25Z16	31'-3 1/2"	

FLANGE BRACE TABLE FRAME LINE 1			
ID	QUAN	MARK	LENGTH
1	6	FB1A	2'-4 15/16"

BOLT TABLE FRAME LINE 1				
LOCATION	QUAN	TYPE	DIA	LENGTH
Columns/Raf	4	A325	3/4"	1 3/4"



ENDWALL FRAMING: FRAME LINE 1

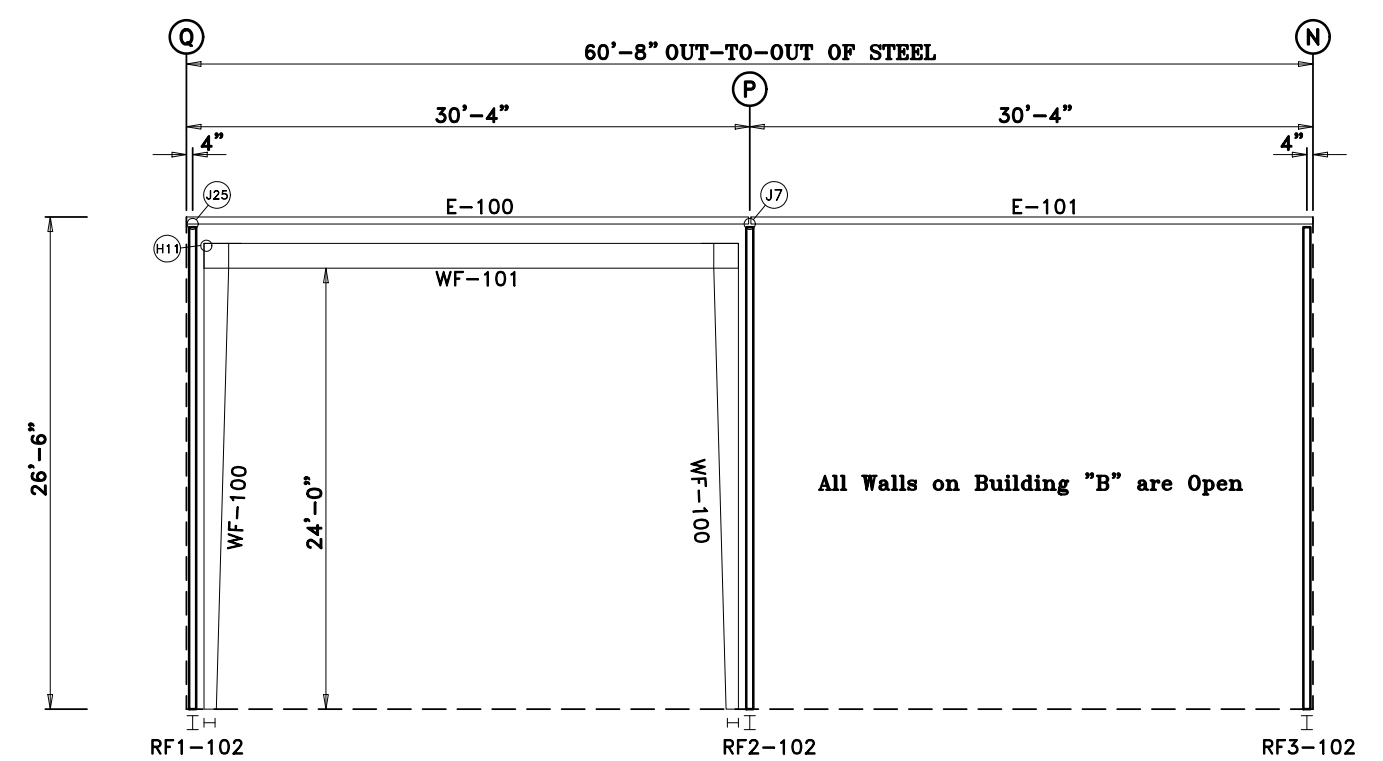


ENDWALL SHEETING & TRIM: FRAME LINE 1
PANELS: 26 Ga. PBR - Polar White

TRIM TABLE FRAME LINE 8				
ID	QUAN	PART	LENGTH	DETAIL
1	7	HECF-80-	10'-3"	TRIM_41
2	3	HSE243	20'-5"	TRIM_41
3	7	BACKSPLS	10'-3"	
4	1	HSCB-L	6"	
5	1	HSCB-R	6"	

BOLT TABLE FRAME LINE 8				
LOCATION	QUAN	TYPE	DIA	LENGTH
WF-100 - WF-101	8	A325	3/4"	2"
WF-100 - RF1-102	4	A325	3/4"	1 1/2"
WF-100 - RF2-102	4	A325	3/4"	1 1/2"

MEMBER TABLE FRAME LINE 8				
QUAN	MARK	PART	LENGTH	
2	WF-100	BEAM	25'-6"	
1	WF-101	W18843	26'-1 1/2"	
1	E-100	8HEDS12	30'-3 1/2"	
1	E-101	8HEDS12	30'-3 1/2"	

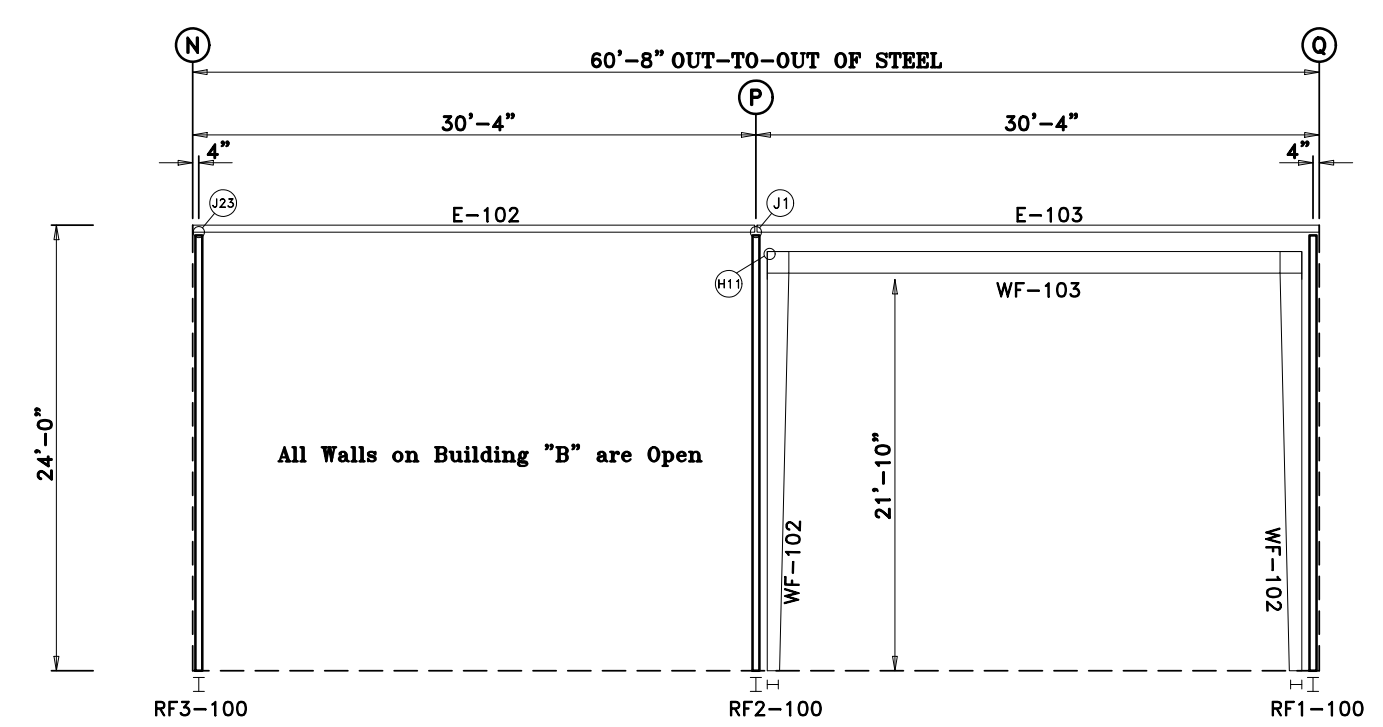


SIDEWALL FRAMING: FRAME LINE 8

TRIM TABLE FRAME LINE 7				
ID	QUAN	PART	LENGTH	DETAIL
1	3	GUTT243	20'-5"	TRIM_5
2	7	ECF-80-0	10'-3"	TRIM_36
3	1	SGUTENDL	6"	
4	1	SCRNBX-L	6"	TRIM_16
5	1	SGUTENDR	6"	TRIM_16
6	1	SCRNBX-R	6"	TRIM_16

BOLT TABLE FRAME LINE 7				
LOCATION	QUAN	TYPE	DIA	LENGTH
WF-102 - WF-103	8	A325	3/4"	2"
WF-102 - RF2-100	4	A325	3/4"	1 1/2"
WF-102 - RF1-100	4	A325	3/4"	1 1/2"

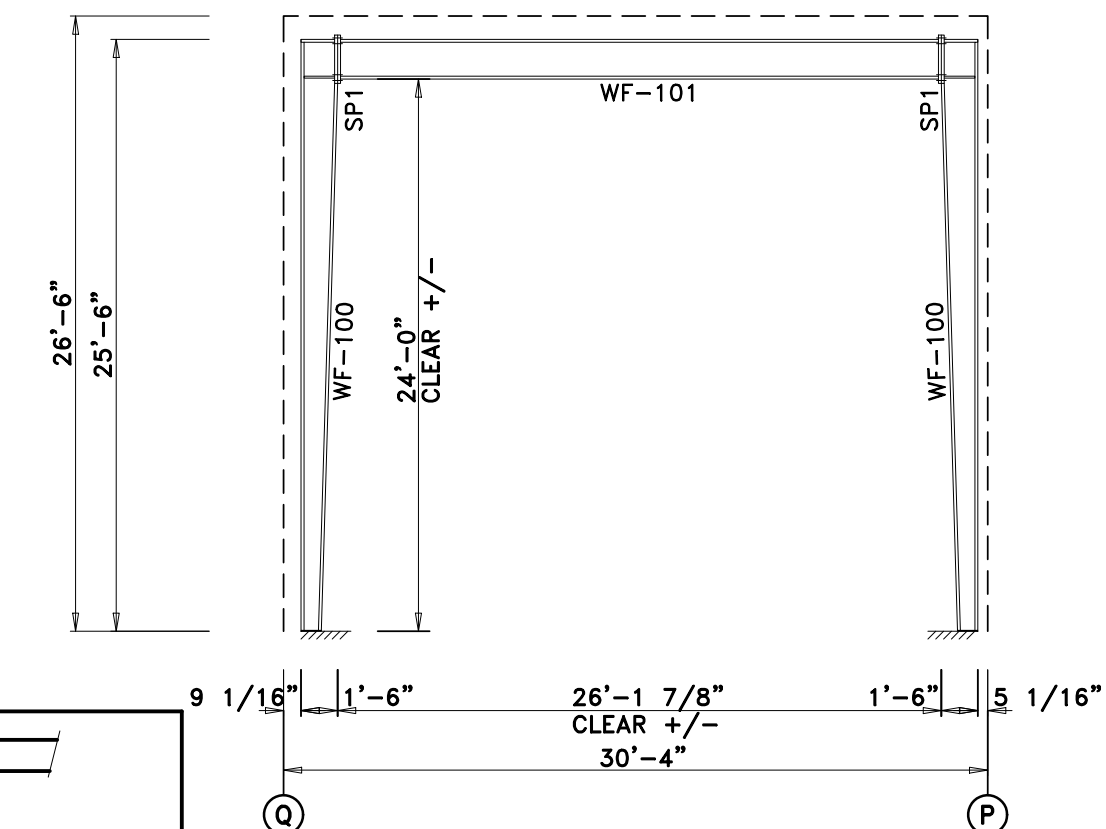
MEMBER TABLE FRAME LINE 7				
QUAN	MARK	PART	LENGTH	
2	WF-102	BEAM	23'-0"	
1	WF-103	W14853	26'-9 1/2"	
1	E-102	8LEDS12	30'-3 1/2"	
1	E-103	8LEDS12	30'-3 1/2"	



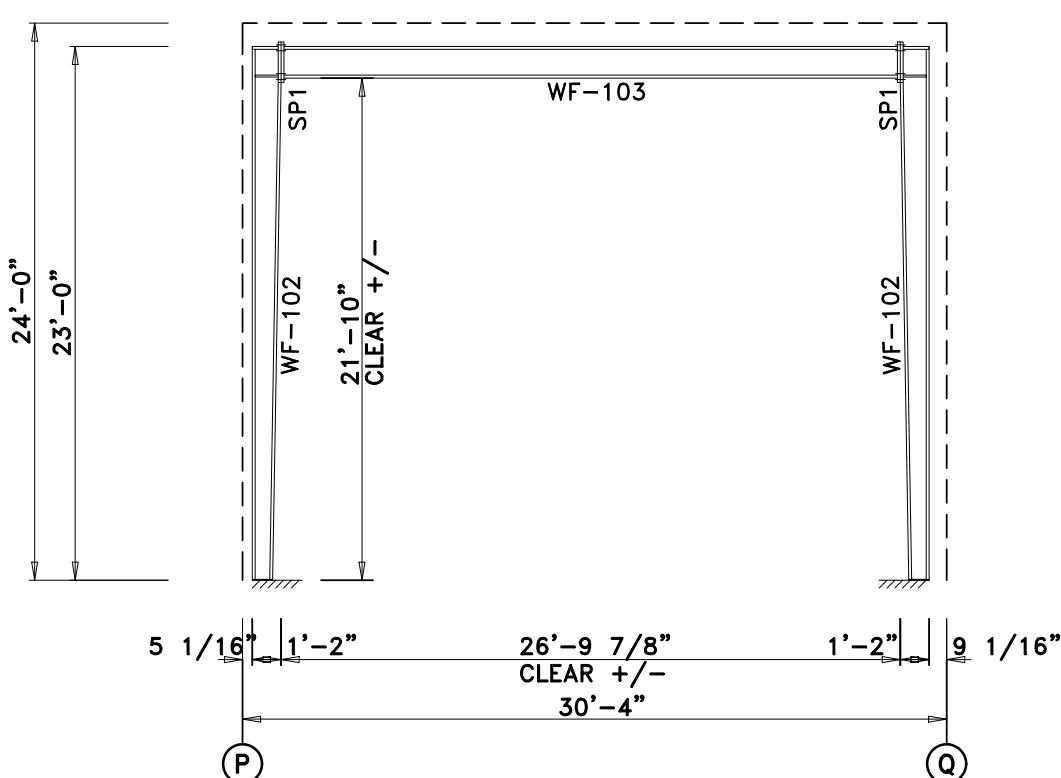
SIDEWALL FRAMING: FRAME LINE 7

MEMBER SIZE TABLE (in)						
MARK	WEB DEPTH	WEB PLATE	OUTSIDE FLANGE	INSIDE FLANGE	START/END	THICK
WF-100	7.5/17.4	0.188	306.0	8 x 5/16" x 306.0	8 x 5/16"	0.188
WF-101	17.5/17.5	0.188	313.5	8 x 1/4" x 313.5	8 x 1/4"	0.188

MEMBER SIZE TABLE (in)						
MARK	WEB DEPTH	WEB PLATE	OUTSIDE FLANGE	INSIDE FLANGE	START/END	THICK
WF-100	7.5/17.4	0.188	306.0	8 x 5/16" x 306.0	8 x 5/16"	0.188
WF-101	17.5/17.5	0.188	313.5	8 x 1/4" x 313.5	8 x 1/4"	0.188



WIND BENT ELEVATION: FRAME LINE 8



WIND BENT ELEVATION: FRAME LINE 7

ALL TRIM LAPS ARE TO BE 3" LONG

NOTE: If Trim Lap is More Than 3" Long, The Trim May Not Cover The Required Coverage Length.

APPROVAL DRAWINGS

APPROVED AS DRAWN
 APPROVED AS NOTED
 NOT APPROVED

____ INITIAL

Please Check And Approve All Dimensions And Conditions. STANDARD STRUCTURES Must Be Notified Of Any Changes.

SSI STANDARD STRUCTURES INC.
 MANUFACTURER OF METAL BUILDINGS & COMPONENTS

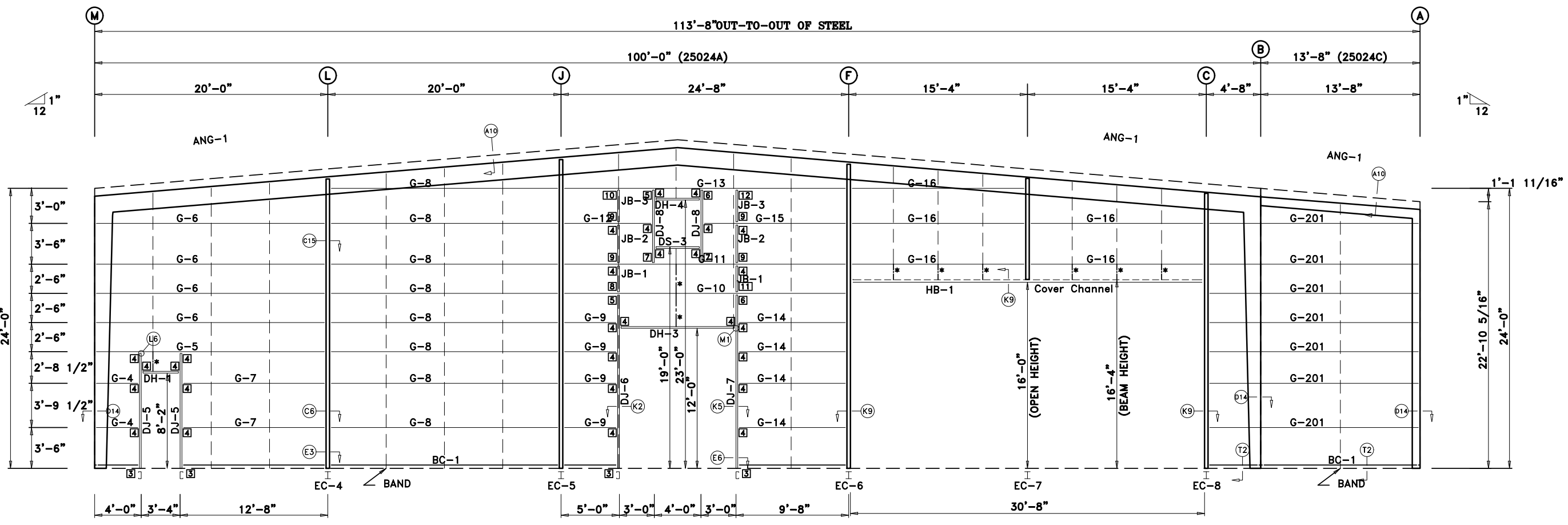
P.O. BOX 1912
 ODESSA, TX. 79760
 1-800-240-0335

IAS ACCREDITED™
 Metal Building Systems AC 472

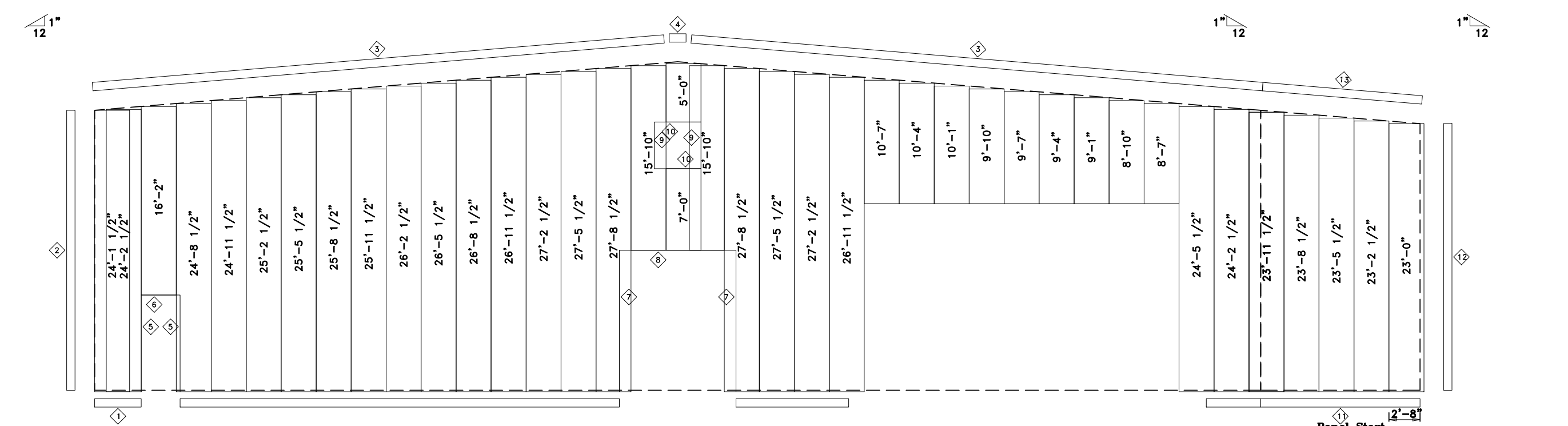
APPROVAL & PERMIT

JOB NAME: Monomoy Construction Services
 PROJECT NAME: Bartow
 JOB LOCATION: Bartow, FL 33830
 DRAWING TITLE: ENDWALL FRAMING
 DATE: 6/13/25 DET: JOB NO.: 25024 PG.: E-5

CONNECTION PLATES FRAME LINE 6		
ID	QUAN	MARK/PART
1	1	n1
2	7	r1
3	4	C-104
4	28	C-5
5	2	j3
6	2	j4
7	2	j2
8	1	f3
9	4	f4
10	1	j6
11	1	f5
12	1	j7



ENDWALL FRAMING: FRAME LINE 6



ENDWALL SHEETING & TRIM: FRAME LINE 6
PANELS: 26 Ga. PBR - Polar White

TRIM TABLE FRAME LINE 6				
ID	QUAN	PART	LENGTH	DETAIL
1	7	BASETRIM	10'-3"	
2	1	CRNTR243	24'-1"	TRIM_2
3	6	RAKER243	17'-1"	TRIM_3
4	1	PEAKBX-R	1'-2"	TRIM_15
5	2	JMBTR243	8'-4"	TRIM_6
6	1	HEADR243	3'-8"	TRIM_8
7	2	JMBTR243	12'-2"	TRIM_6
8	1	HEADR243	10'-4"	TRIM_8
9	2	JMBTR243	4'-2"	TRIM_6
10	2	HEADR243	4'-4"	TRIM_8
11	2	BASETRIM	10'-3"	
12	1	CRNTR243	23'-0"	TRIM_2
13	1	RAKER243	14'-3"	TRIM_3

BOLT TABLE FRAME LINE 6				
LOCATION	QUAN	TYPE	DIA	LENGTH
25024A				
EC-4/FRAME	4	A325	3/4"	1 3/4"
EC-5/FRAME	4	A325	3/4"	1 3/4"
EC-6/FRAME	4	A325	3/4"	1 3/4"
EC-7/FRAME	8	A325	1/2"	1 1/4"
EC-8/FRAME	2	A325	1/2"	1 1/4"

MEMBER TABLE FRAME LINE 6			
QUAN	MARK	PART	LENGTH
25024A			
1	HB-1	W8X18	30'-1"
1	EC-4	W8X24	24'-8 15/16"
1	EC-5	W8X24	26'-4 15/16"
1	EC-6	W8X24	24'-9 1/4"
1	EC-7	W8X13	8'-8 15/16"
1	EC-8	W8X24	23'-5 5/8"
2	DJ-5	8x35C16	9'-8 1/4"
1	DJ-6	8x35C14	14'-8 1/4"
1	DJ-7	8x35C13	14'-8 1/4"
2	DJ-8	8x35C16	5'-10 1/2"
1	DH-1	8x35C16	3'-4"
1	DH-3	8x35C16	10'-0"
1	DH-4	8x35C16	4'-0"
1	DS-3	8x35C16	4'-0"
2	G-4	8x25Z13	3'-8"
1	G-5	8x25Z13	19'-8 1/4"
4	G-6	8x25Z13	19'-8 1/4"
2	G-7	8x25Z13	12'-0 3/4"
8	G-8	8x25Z16	4'-4 3/4"
4	G-9	8x25Z12	4'-4 3/4"
1	G-10	8x70D13	24'-1"
1	G-11	8x25Z12	24'-1"
1	G-12	8x25Z12	7'-4 3/4"
1	G-13	8x70D14	24'-1"
4	G-14	8x25Z12	9'-0 3/4"
1	G-15	8x25Z12	12'-0 3/4"
5	G-16	8x25Z16	14'-10 1/4"
2	JB-1	8x35C16	1'-10 1/2"
2	JB-2	8x35C16	2'-10 1/2"
2	JB-3	8x35C16	2'-4 1/2"
25024C			
7	G-201	8x25Z16	TBD

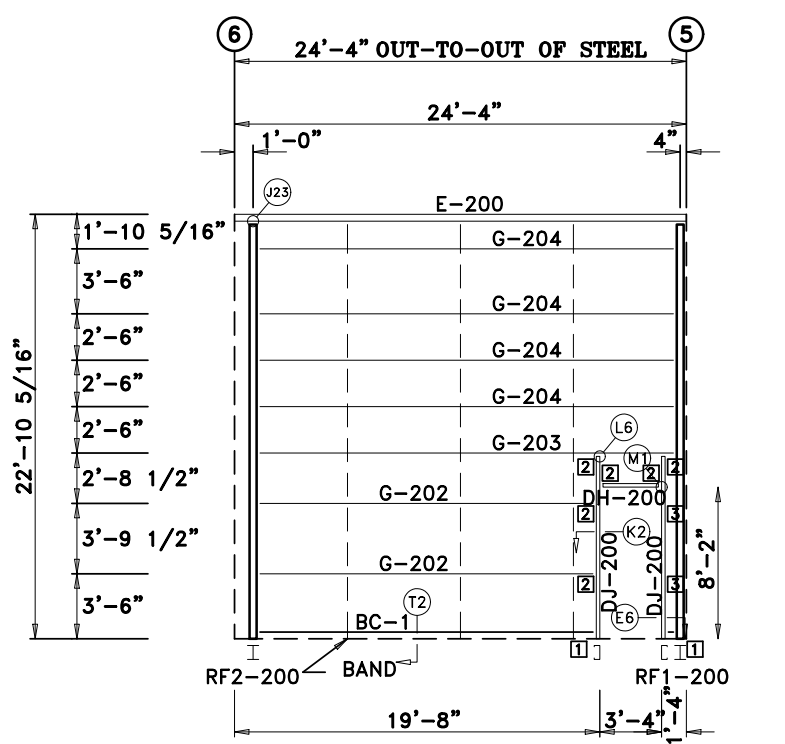
MEMBER TABLE FRAME LINE A			
QUAN	MARK	PART	LENGTH
2	DJ-200	8x35C16	9'-8 1/4"
1	DH-200	8x35C16	3'-4"
1	E-200	BLEDSD14	24'-3 1/2"
2	G-202	8x25Z13	18'-2"
1	G-203	8x25Z13	22'-7 1/2"
4	G-204	8x25Z13	22'-7 1/2"

CONNECTION PLATES FRAME LINE A		
ID	QUAN	MARK/PART
1	2	C-104
2	6	C-5
3	2	b201

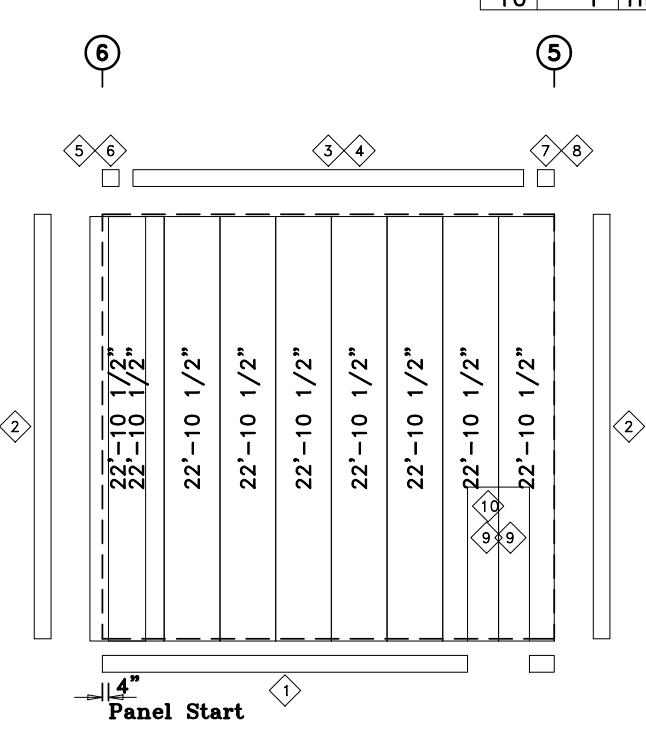
TRIM TABLE FRAME LINE A			
ID	QUAN	PART	LENGTH
1	3	BASETRIM	10'-3"
2	2	CRNTR243	23'-0"
3	1	GUTT243	24'-4"
4	3	BACKSPLS	10'-3"
5	1	SGUTENDL	6"
6	1	SCRNBX-L	6"
7	1	SGUTENDR	6"
8	1	SCRNBX-R	6"
9	1	JMBTR243	8'-4"
10	2	HEADR243	3'-8"

TRIM TABLE FRAME LINE 5			
ID	QUAN	PART	LENGTH
1	2	BASETRIM	10'-3"
2	1	CRNTR243	23'-0"
3	1	RAKER243	14'-3"

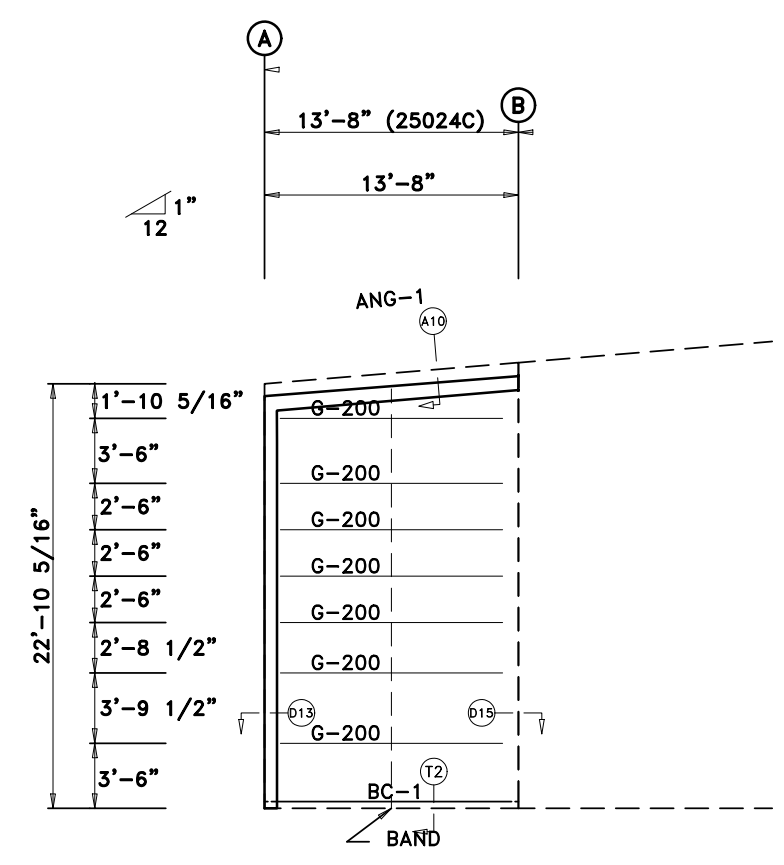
MEMBER TABLE FRAME LINE 6			
QUAN	MARK	PART	LENGTH
7	G-200	8x25Z16	12'-11 3/4"



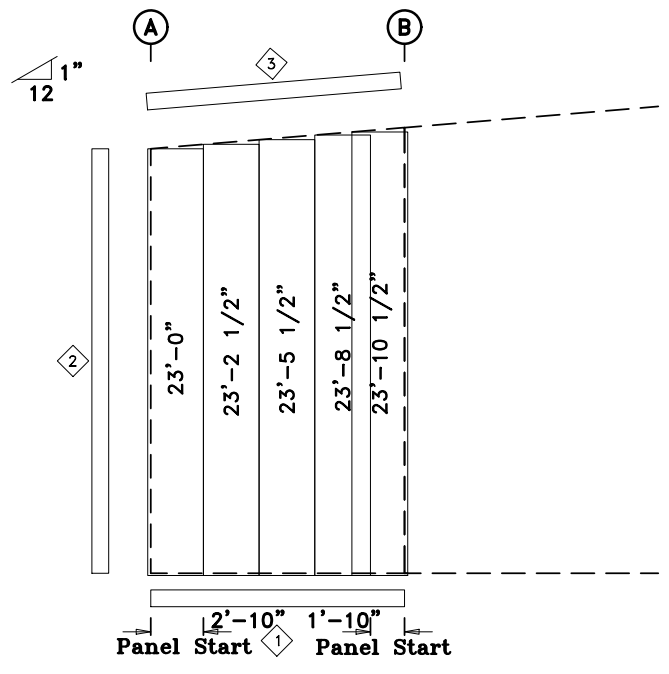
SIDEWALL FRAMING: FRAME LINE A



SIDEWALL SHEETING & TRIM: FRAME LINE A
PANELS: 26 Ga. PBR - Polar White



SIDEWALL FRAMING: FRAME LINE 5



ENDWALL SHEETING & TRIM: FRAME LINE 5
PANELS: 26 Ga. PBR - Polar White

APPROVAL DRAWINGS

APPROVED AS DRAWN
 APPROVED AS NOTED
 NOT APPROVED

____ INITIAL

Please Check And Approve All Dimensions
 And Conditions. STANDARD STRUCTURES
 Must Be Notified Of Any Changes.

SSI STANDARD STRUCTURES INC.
 MANUFACTURER OF METAL BUILDINGS & COMPONENTS

P.O. BOX 1912
 ODESSA, TX. 79760
 1-800-240-0335

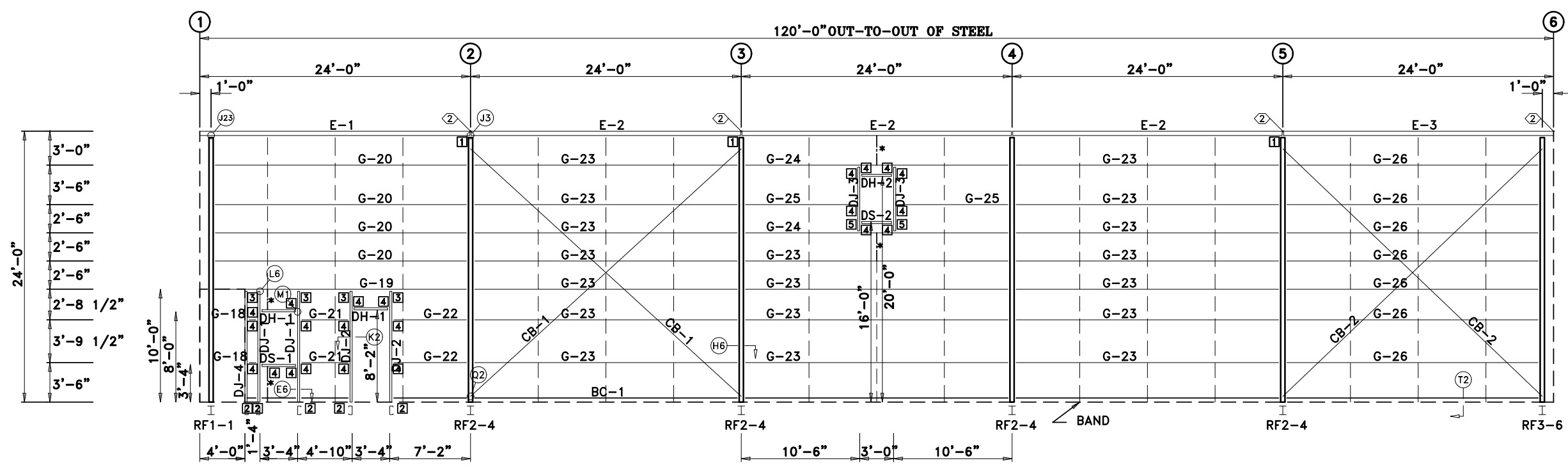
IAS
 ACCREDITED™
 Metal Building Systems
 AC 472

APPROVAL & PERMIT

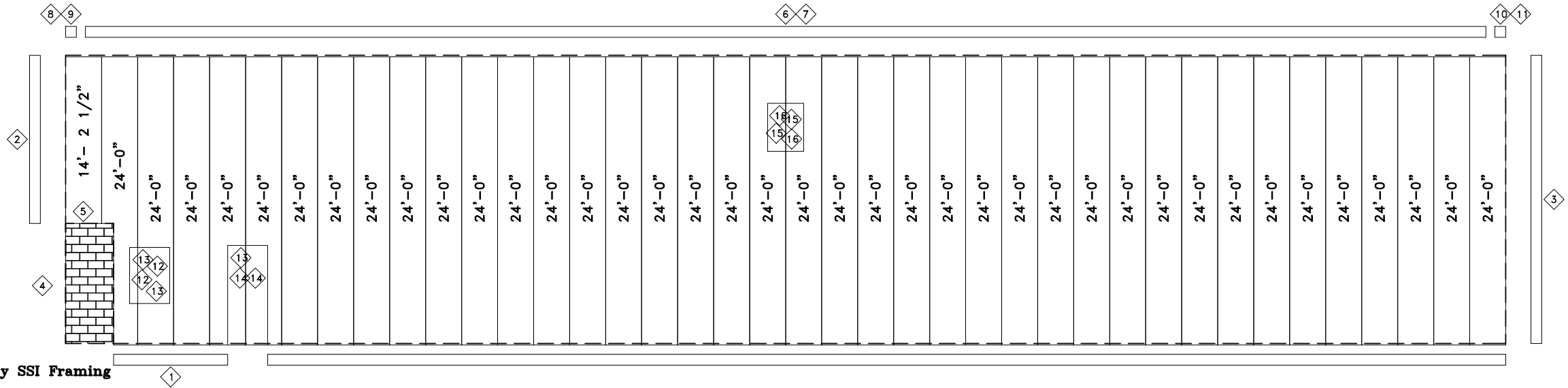
JOB NAME: Monomoy Construction Services
 PROJECT NAME: Bartow
 JOB LOCATION: Bartow, FL 33830
 DRAWING TITLE: ENDWALL FRAMING
 DATE: 6/13/25 DET: JOB NO.: 25024 PG.: E-6

ALL TRIM LAPS ARE TO BE 3" LONG

NOTE: If Trim Lap Is More Than 3" Long, The Trim May Not Cover The Required Coverage Length.



SIDEWALL FRAMING: FRAME LINE M



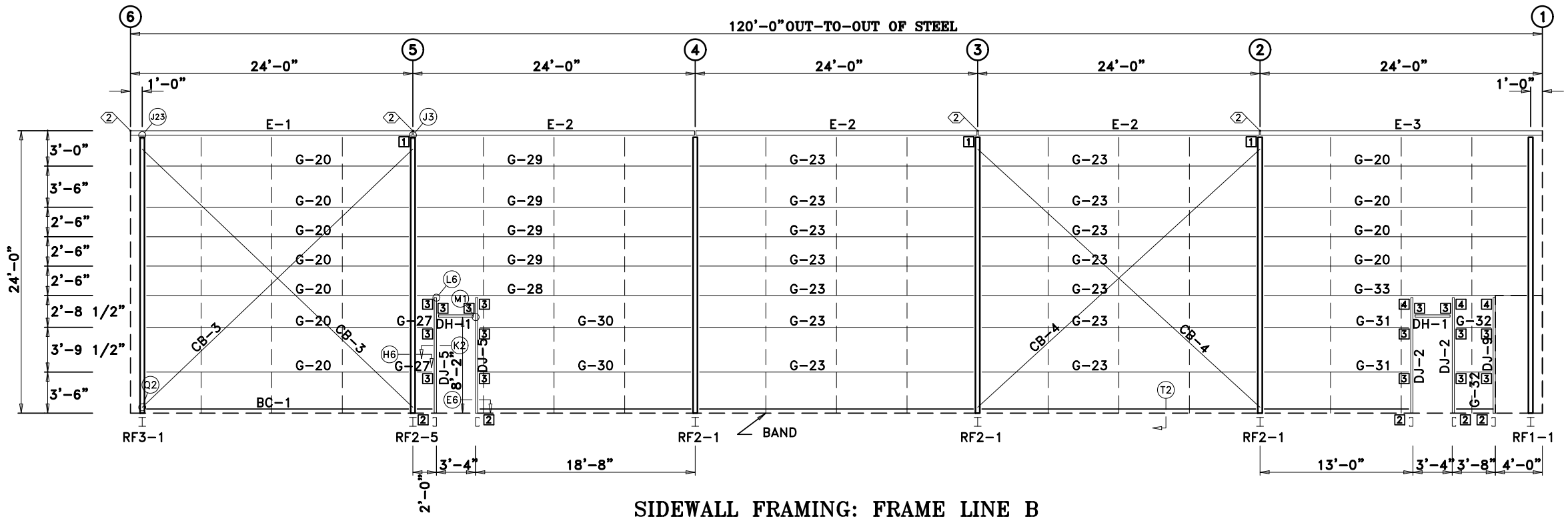
SIDEWALL SHEETING & TRIM: FRAME LINE M
PANELS: 26 Ga. PBR - Polar White

TRIM TABLE					
FRAME LINE M	ID	QUAN	PART	LENGTH	DETAIL
1	12		BASETRIM	10'-3"	
2	1		CRNTR243	14'-1"	TRIM_2
3	1		CRNTR243	24'-1"	TRIM_2
4	1		JMBTR243	10'-2"	TRIM_6
5	1		HEADR243	4'-4"	TRIM_8
6	5		JMBTR243	8'-4"	TRIM_6
7	12		BACKSPLS	10'-3"	TRIM_5
8	1		SGUTENDL	6"	
9	1		SCRNBX-L	6"	TRIM_16
10	1		SGUTENDR	6"	TRIM_16
11	1		SCRNBX-R	6"	TRIM_16
12	2		JMBTR243	5'-0"	TRIM_6
13	3		HEADR243	3'-8"	TRIM_8
14	2		JMBTR243	8'-4"	TRIM_6
15	2		JMBTR243	4'-2"	TRIM_6
16	2		HEADR243	3'-4"	TRIM_8

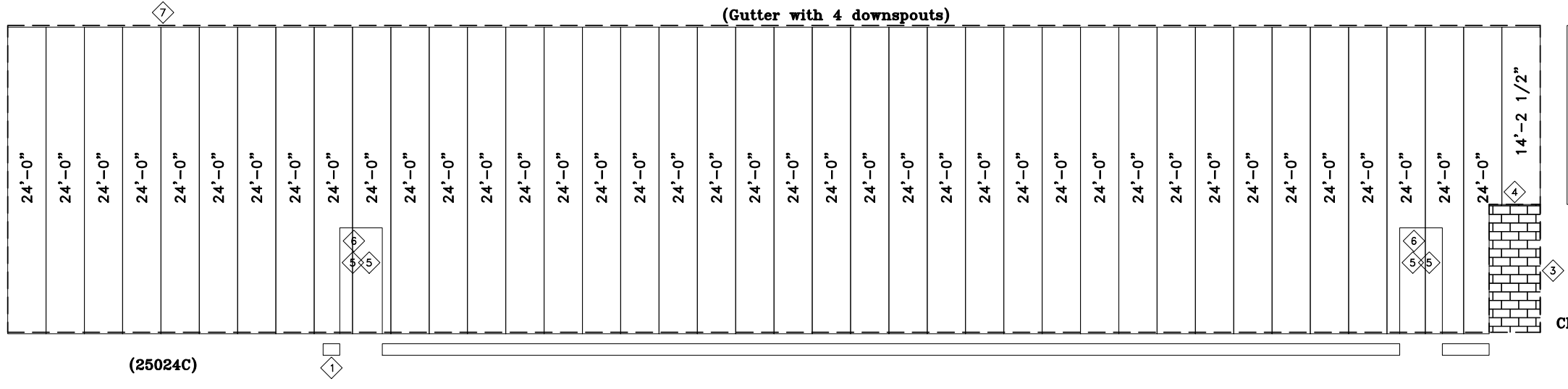
MEMBER TABLE				
FRAME LINE M	QUAN	MARK	PART	LENGTH
2	DJ-1	8x35C16	8x35C16	9'-11 3/4"
2	DJ-2	8x35C16	8x35C16	9'-11 3/4"
2	DJ-3	8x35C16	8x35C16	5'-4 1/2"
1	DJ-4	8x35C16	8x35C16	9'-11 3/4"
2	DH-1	8x35C16	8x35C16	3'-4"
1	DH-2	8x35C16	8x35C16	3'-0"
1	DS-1	8x35C16	8x35C16	3'-4"
1	DS-2	8x35C16	8x35C16	3'-0"
1	E-1	8LEDS14	8LEDS14	23'-11 1/2"
3	E-2	8LEDS14	8LEDS14	23'-11 1/2"
1	E-3	8LEDS14	8LEDS14	23'-11 1/2"
2	G-18	8x25Z14	8x25Z14	8 1/2"
1	G-19	C8x11.5	C8x11.5	22'-4 1/2"
4	G-20	8x25Z14	8x25Z14	22'-4 1/2"
2	G-21	8x25Z14	8x25Z14	4'-2 1/2"
2	G-22	8x25Z14	8x25Z14	6'-2 1/2"
18	G-23	8x25Z13	8x25Z13	23'-3 1/2"
2	G-24	8x25Z13	8x25Z13	23'-3 1/2"
2	G-25	8x25Z13	8x25Z13	9'-10"
7	G-26	8x25Z13	8x25Z13	22'-4 1/2"
2	CB-1	7/16_CBL	7/16_CBL	30'-9"
2	CB-2	7/16_CBL	7/16_CBL	30'-0"

SPECIAL BOLTS					
ID	QUAN	TYPE	DIA	LENGTH	WASH
2	4	A325	1/2"	1 1/4"	0

CONNECTION PLATES				
FRAME LINE M	ID	QUAN	MARK/PART	
1	3		ECP-2	
2	5		C-104	
3	5		J1	
4	24		C-5	
5	2		f2	



SIDEWALL FRAMING: FRAME LINE B



SIDEWALL SHEETING & TRIM: FRAME LINE B
PANELS: 26 Ga. PBR - Polar White
(25024C) PANELS: 26 Ga. PBR - Polar White

TRIM TABLE					
FRAME LINE B	ID	QUAN	PART	LENGTH	DETAIL
1	12		BASETRIM	10'-3"	
2	1		CRNTR243	14'-1"	TRIM_2
3	1		JMBTR243	10'-2"	TRIM_6
4	1		HEADR243	4'-4"	TRIM_8
5	4		JMBTR243	8'-4"	TRIM_6
6	2		HEADR243	3'-8"	TRIM_8
7	3		EAVR123	10'-3"	TRIM_57

MEMBER TABLE				
FRAME LINE B	QUAN	MARK	PART	LENGTH
2	DJ-2	8x35C16	8x35C16	9'-11 3/4"
2	DJ-5	8x35C16	8x35C16	9'-8 1/4"
1	DJ-9	8x35C16	8x35C16	9'-11 3/4"
2	DH-1	8x35C16	8x35C16	3'-4"
1	E-1	8LEDS14	8LEDS14	23'-11 1/2"
3	E-2	8LEDS14	8LEDS14	23'-11 1/2"
1	E-3	8LEDS14	8LEDS14	23'-11 1/2"
11	G-20	8x25Z14	8x25Z14	22'-4 1/2"
14	G-23	8x25Z13	8x25Z13	23'-3 1/2"
2	G-27	8x25Z12	8x25Z12	1'-4"
1	G-28	8x25Z12	8x25Z12	23'-3 1/2"
4	G-29	8x25Z12	8x25Z12	23'-3 1/2"
2	G-30	8x25Z12	8x25Z12	18'-0"
2	G-31	8x25Z14	8x25Z14	12'-0"
2	G-32	8x25Z14	8x25Z14	3'-0 1/2"
1	G-33	C8x11.5	C8x11.5	22'-4 1/2"
2	CB-3	1/2_CBL	1/2_CBL	29'-10"
2	CB-4	1/2_CBL	1/2_CBL	30'-7"

SPECIAL BOLTS					
ID	QUAN	TYPE	DIA	LENGTH	WASH
2	4	A325	1/2"	1 1/4"	0

CONNECTION PLATES				
FRAME LINE B	ID	QUAN	MARK/PART	
1	3		ECP-2	
2	5		C-104	
3	16		C-5	
4	3		J1	

ALL TRIM LAPS ARE TO BE 3" LONG
NOTE: If Trim Lap is More Than 3" Long, The Trim May Not Cover The Required Coverage Length.

APPROVAL DRAWINGS

APPROVED AS DRAWN
 APPROVED AS NOTED
 NOT APPROVED

____ INITIAL

Please Check And Approve All Dimensions And Conditions. STANDARD STRUCTURES Must Be Notified Of Any Changes.

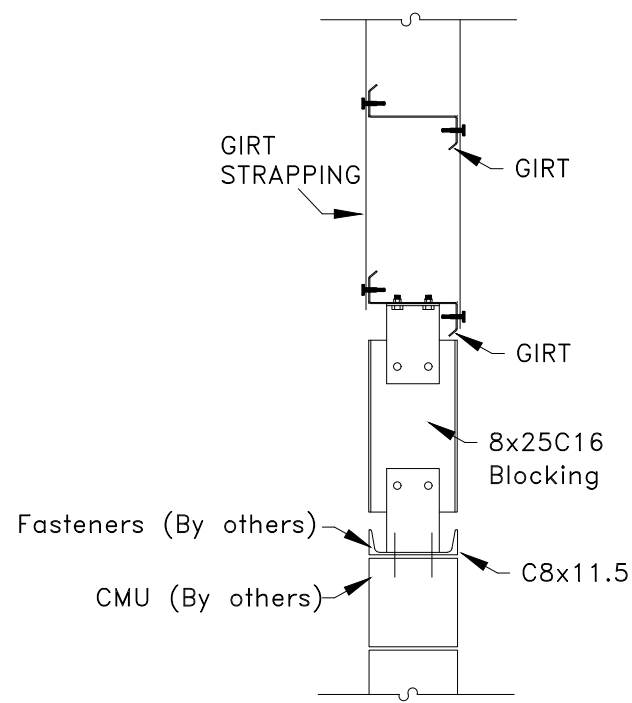
SSI STANDARD STRUCTURES INC.
MANUFACTURER OF METAL BUILDINGS & COMPONENTS

P.O. BOX 1912
ODESSA, TX. 79760
1-800-240-0335

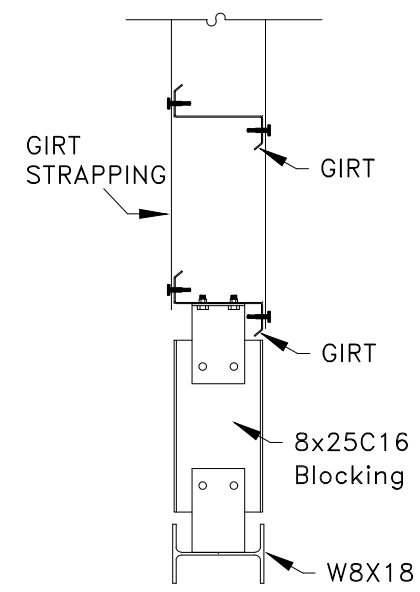
IAS ACCREDITED
Metal Building Systems
AC 472

APPROVAL & PERMIT

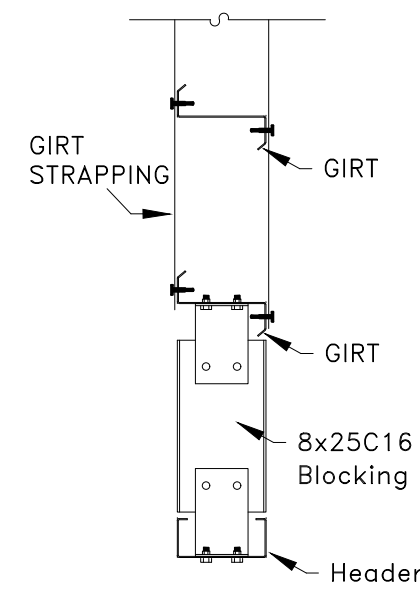
JOB NAME: Monomoy Construction Services
 PROJECT NAME: Bartow
 JOB LOCATION: Bartow, FL 33830
 DRAWING TITLE: SIDEWALL FRAMING
 DATE: 6/13/25 DET: _____ JOB NO.: 25024 PG.: E-7



Blocking & Strapping Detail
above CMU

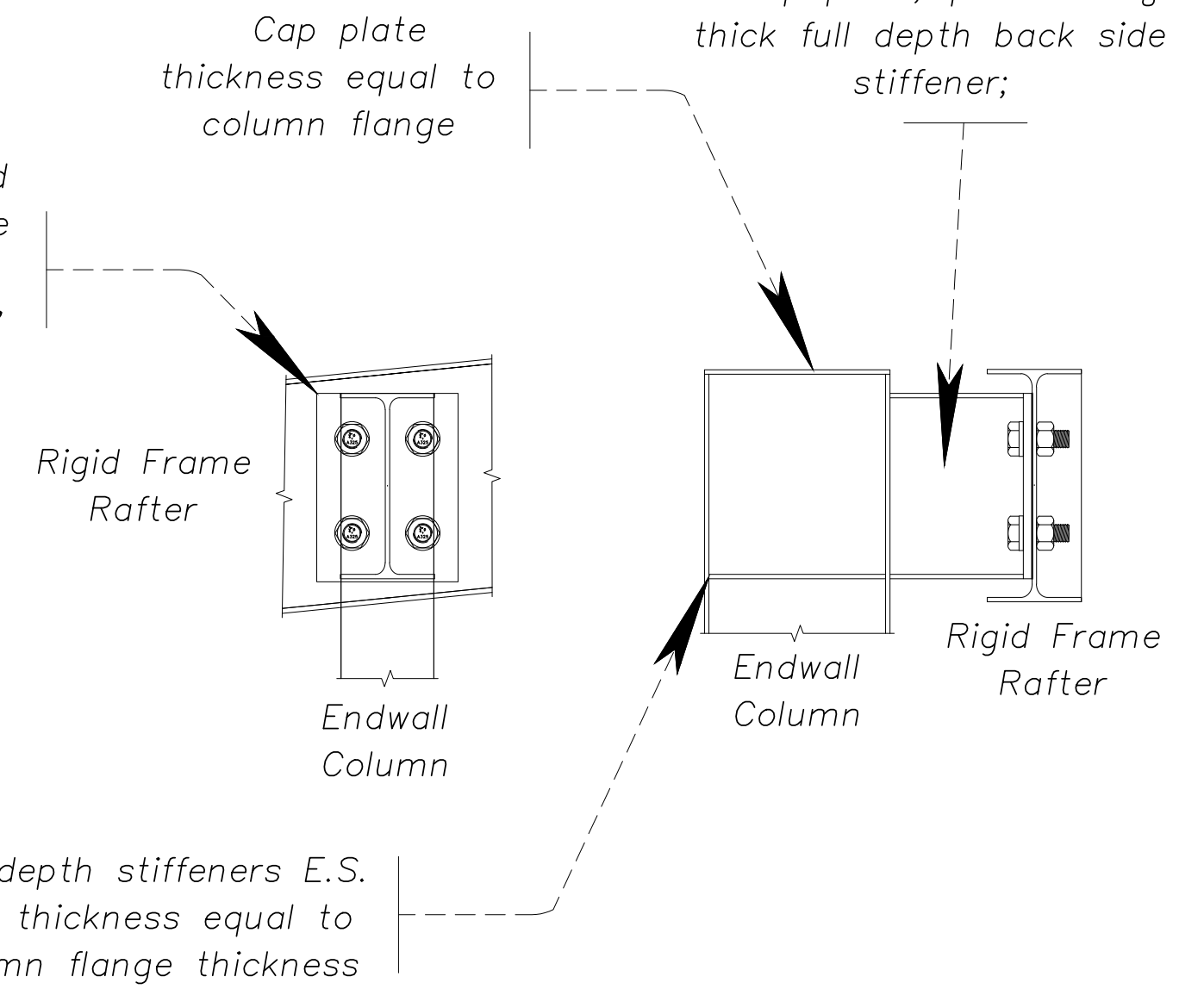


Blocking & Strapping Detail
above door opening

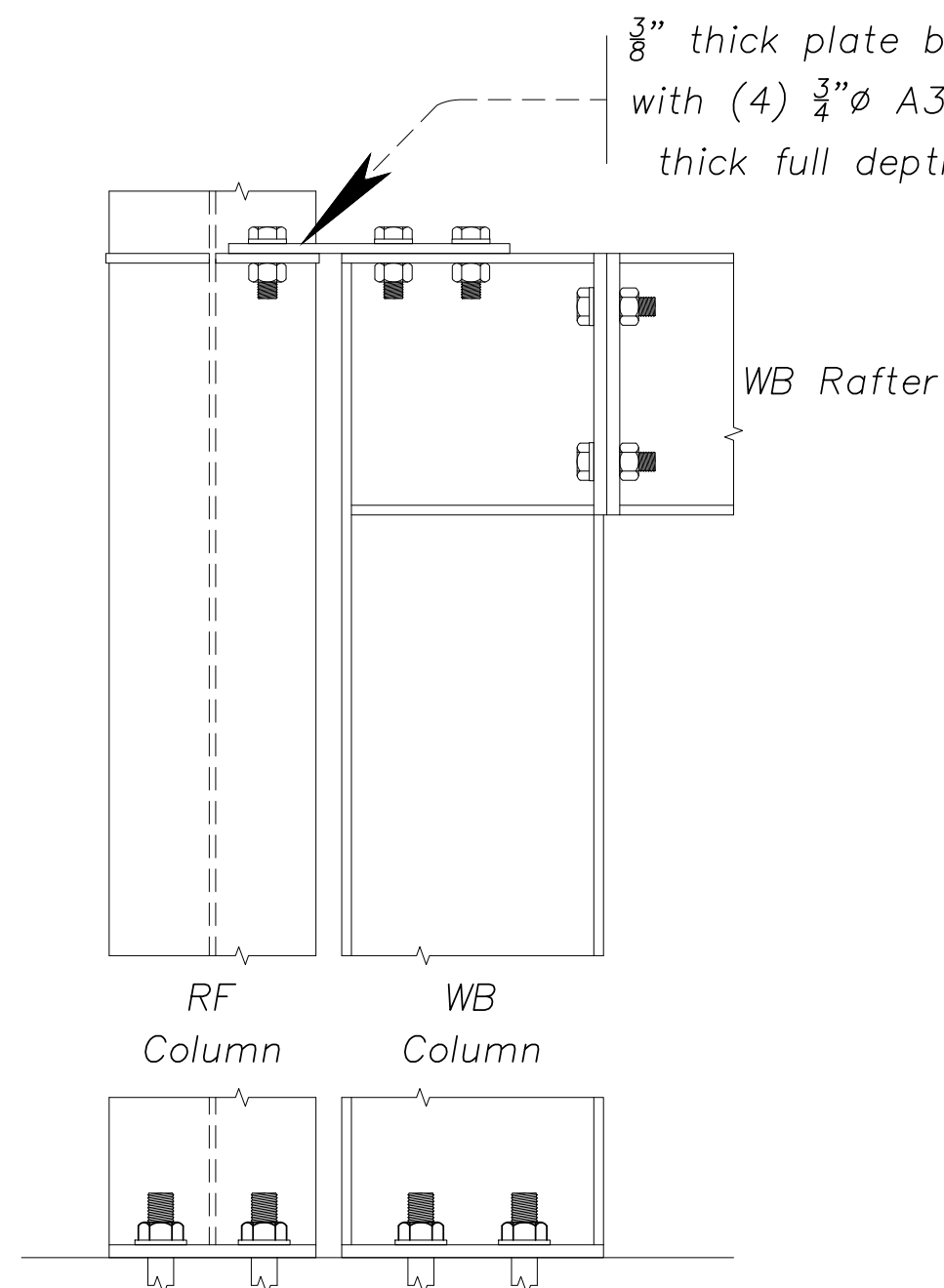


Blocking & Strapping Detail
above header

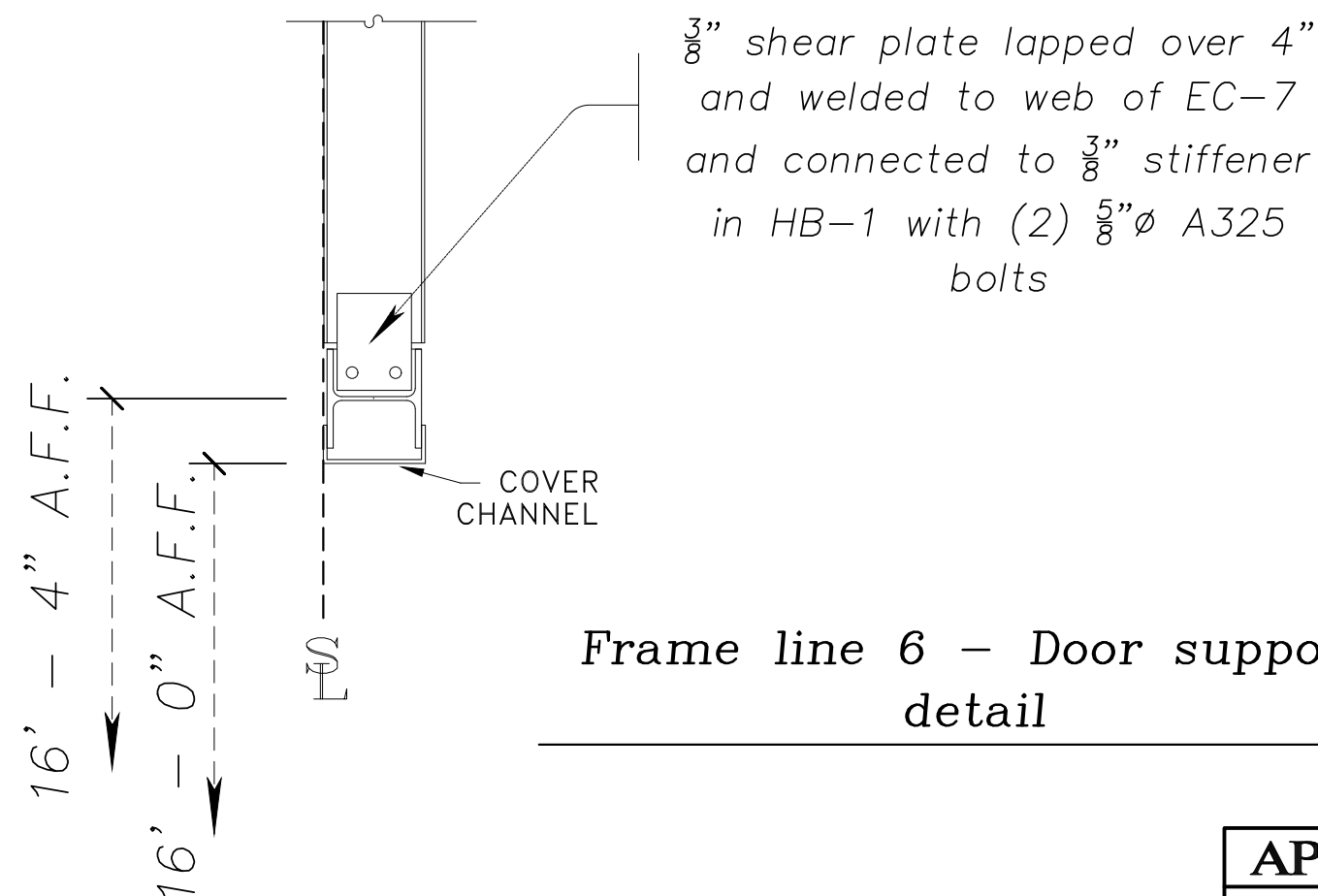
Bracket to be located
in the top half of the
rafter; use (4) $\frac{3}{4}$ " ϕ
A325 bolts with a 3"
gage and 4" pitch



Frame line 6 - End wall column
to rafter detail



Wind Bent Connection



Frame line 6 - Door support
detail

$\frac{3}{8}$ " shear plate
lapped over 4" and
welded to web of
HB-1 and connected
to $\frac{3}{8}$ " stiffener in
EC-6/8 with (2) $\frac{5}{8}$ " ϕ
A325 bolts

APPROVAL DRAWINGS

- APPROVED AS DRAWN
- APPROVED AS NOTED
- NOT APPROVED

____ INITIAL

Please Check And Approve All Dimensions
And Conditions. STANDARD STRUCTURES
Must Be Notified Of Any Changes.

SSI STANDARD STRUCTURES INC.
MANUFACTURER OF METAL BUILDINGS & COMPONENTS
P.O. BOX 1912
ODESSA, TX. 79760
1-800-240-0335

IAS
ACCREDITED
Metal Building Systems
AC 472

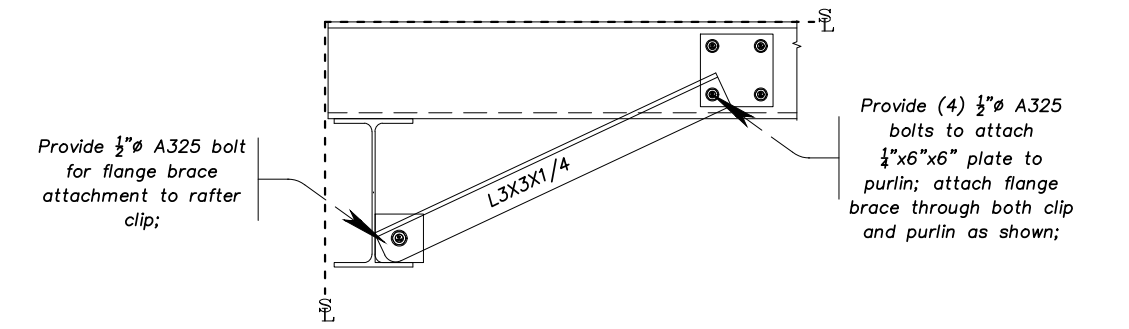
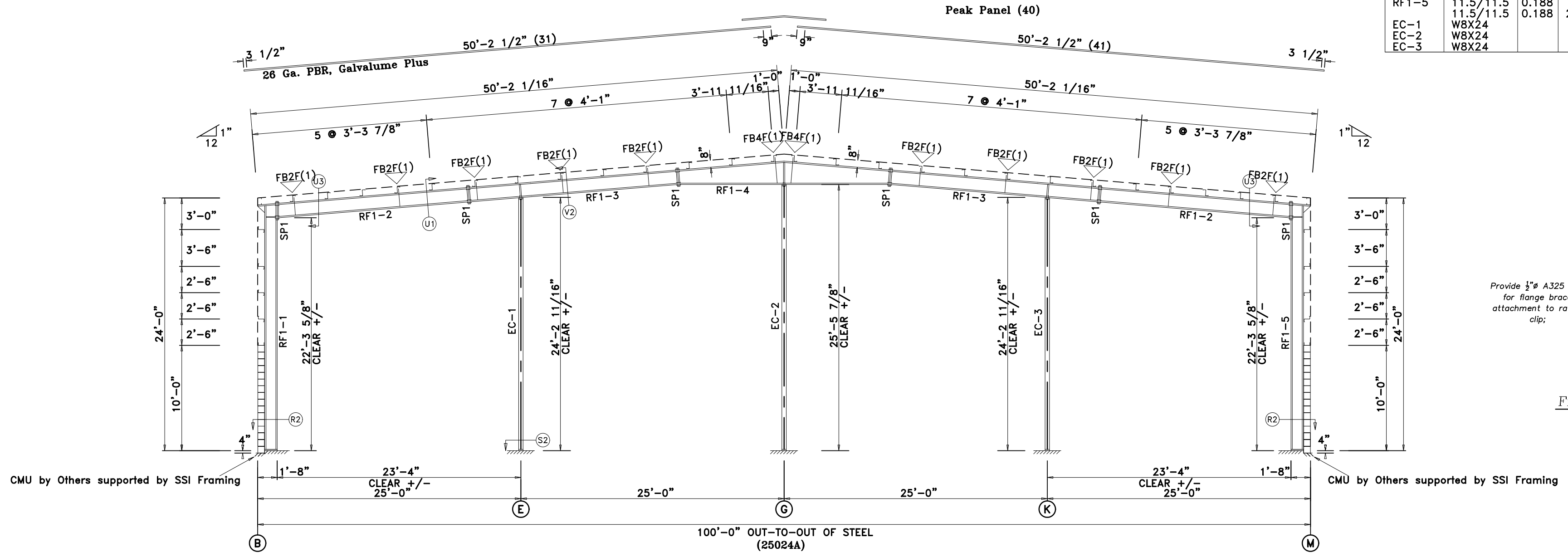
APPROVAL & PERMIT

JOB NAME: Monomoy Construction Services
PROJECT NAME: Bartow
JOB LOCATION: Bartow, FL 33830
DRAWING TITLE: DETAIL DRAWINGS
DATE: 6/13/25 DET: _____ JOB NO.: 25024 PG.: E-8

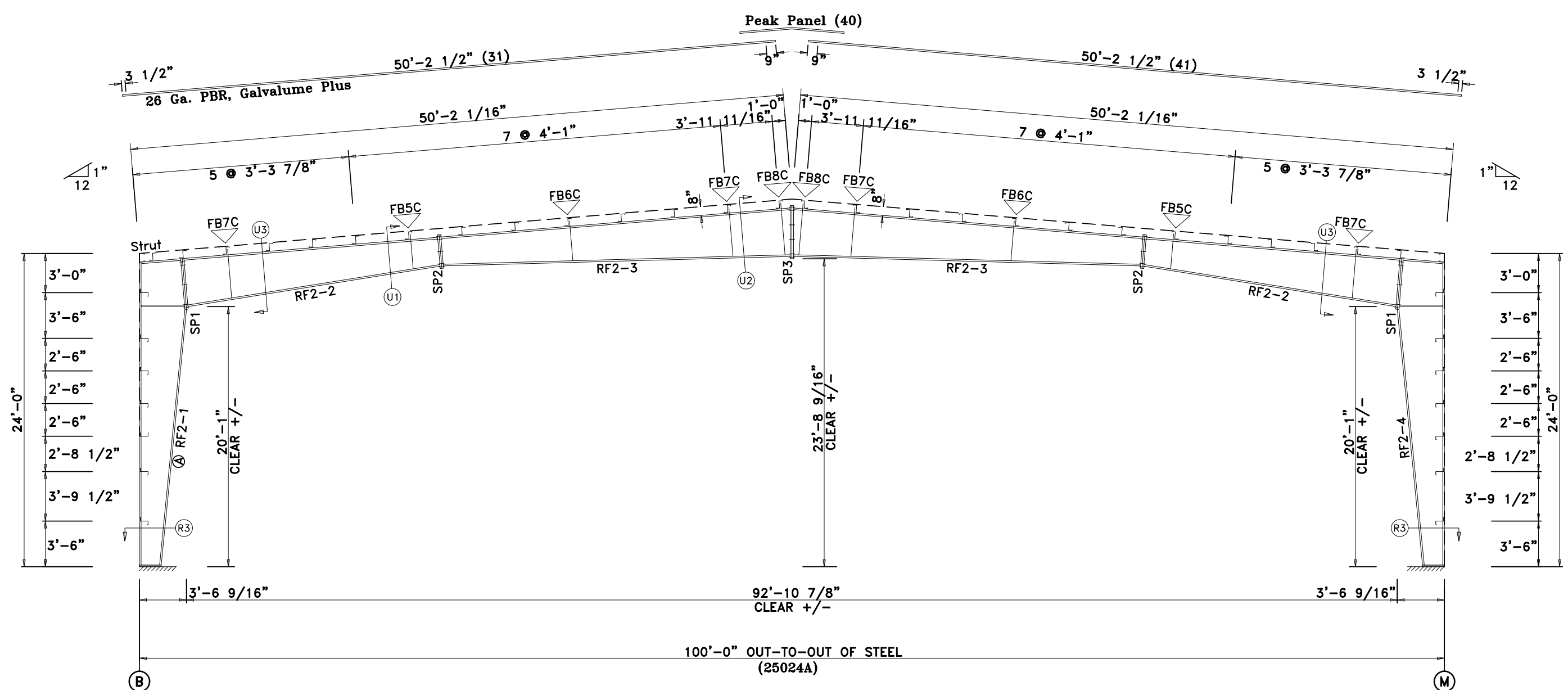
SPLICE PLATE & BOLT TABLE										CAP PLATE BOLTS				
Mark	Qty Top	Qty Bot	Int	Type	Dia	Length	Width	Thick	Length	Mark	Qty	Type	Dia	Length
SP1	4	4	0	A325	5/8"	1 3/4"	6"	3/8"	1'-8 1/2"	EC-1	4	A325	3/4"	2"
										EC-2	4	A325	3/4"	2"
										EC-3	4	A325	3/4"	2"

FLANGE BRACES: Both Sides(U.N.)
 FBxxF(1)
 F - L3x3x1/4

MEMBER TABLE										
Mark	Web Depth		Web Plate		Outside Flange			Inside Flange		
	Start/End	Thick	Length	W x Thk	x Length	W x Thk	x Length	W x Thk	x Length	
RF1-1	11.5/11.5	0.188	240.0	6 x 1/4"	x 280.0	6 x 1/4"	x 264.0			
RF1-2	11.5/11.5	0.188	41.0	6 x 1/4"	x 19.8	6 x 1/4"	x 19.8			
RF1-3	13.5/13.5	0.188	220.9	6 x 1/4"	x 219.7	6 x 1/4"	x 220.9			
RF1-4	13.5/13.5	0.188	238.7	6 x 1/4"	x 238.7	6 x 1/4"	x 54.8			
RF1-5	13.5/13.5	0.188	238.7	6 x 1/4"	x 238.7	6 x 1/4"	x 167.8			
EC-1	11.5/11.5	0.188	41.0	6 x 1/4"	x 121.6	6 x 1/4"	x 116.0			
EC-2	11.5/11.5	0.188	41.0	6 x 1/4"	x 19.8	6 x 1/4"	x 116.0			
EC-3	11.5/11.5	0.188	240.0	6 x 1/4"	x 280.0	6 x 1/4"	x 264.0			
EC-1	W8X24									
EC-2	W8X24									
EC-3	W8X24									



RIGID FRAME SECTION: FRAME LINE 1



MEMBER TABLE										
Mark	Web Depth		Web Plate		Outside Flange			Inside Flange		
	Start/End	Thick	Length	W x Thk	x Length	W x Thk	x Length	W x Thk	x Length	
RF2-1	16.9/41.5	0.250	236.6	8 x 5/16"	x 279.2	8 x 3/4"	x 237.8			
RF2-2	41.5/37.7	0.250	45.7	8 x 5/16"	x 38.1	8 x 5/8"	x 237.3			
RF2-3	23.5/28.3	0.188	84.5	8 x 5/16"	x 324.5	8 x 5/16"	x 321.5			
RF2-4	28.3/41.5	0.188	240.0	8 x 5/16"	x 38.1	8 x 3/4"	x 237.8			
	37.7/41.5	0.250	45.7	8 x 5/16"	x 38.1	8 x 3/4"	x 237.8			
	41.5/16.9	0.250	236.6	8 x 5/16"	x 279.2					

SPLICE PLATE & BOLT TABLE									
Mark	Qty Top	Qty Bot	Int	Type	Dia	Length	Width	Thick	Length
SP1	4	4	2	A325	1"	2 3/4"	8"	3/4"	3'-10"
SP2	4	4	2	A325	5/8"	1 3/4"	8"	3/8"	2'-6 1/2"
SP3	4	4	4	A325	3/4"	2"	8"	1/2"	4'-0 1/2"

ALTERNATE MEMBER			
Frame Line	OID	Mark	
5	A	RF2-5	

FLANGE BRACES: Both Sides(U.N.)
 FBxxC(1)
 C - F2X2X1/8

RIGID FRAME SECTION: FRAME LINE 2 3 4

APPROVAL DRAWINGS

APPROVED AS DRAWN
 APPROVED AS NOTED
 NOT APPROVED

____ INITIAL

Please Check And Approve All Dimensions And Conditions. STANDARD STRUCTURES Must Be Notified Of Any Changes.

SSI STANDARD STRUCTURES INC.
 MANUFACTURER OF METAL BUILDINGS & COMPONENTS

P.O. BOX 1912
 ODESSA, TX. 79760
 1-800-240-0335

IAS
 ACCREDITED™
 Metal Building Systems
 AC 472

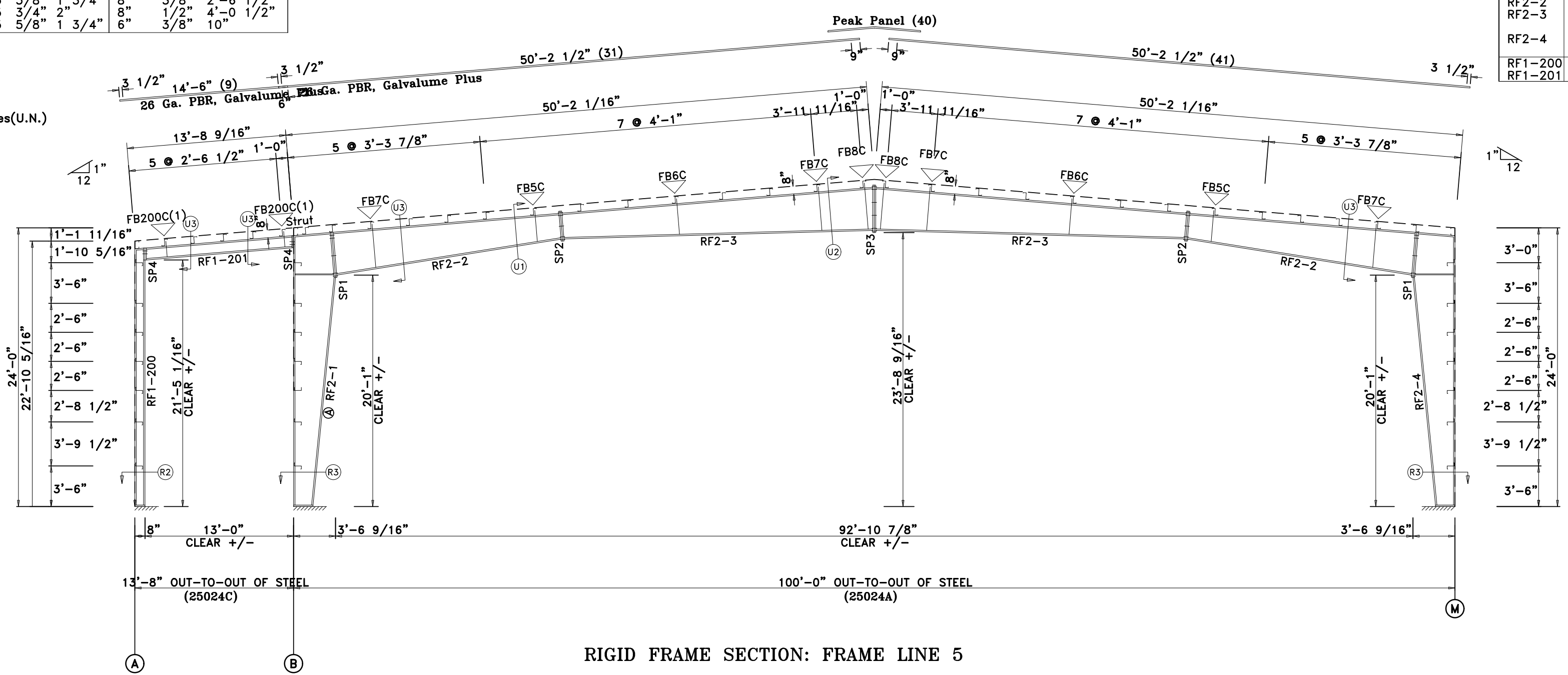
APPROVAL & PERMIT

JOB NAME: Monomoy Construction Services
 PROJECT NAME: Bartow
 JOB LOCATION: Bartow, FL 33830
 DRAWING TITLE: RIGID FRAME SECTION
 DATE: 6/13/25 DET: _____ JOB NO.: 25024 PG.: E-9

SPLICE PLATE & BOLT TABLE									
Mark	Qty Top	Qty Bot	Int	Type	Dia	Length	Width	Thick	Length
SP1	4	4	2	A325	1"	2 3/4"	8"	3/8"	3'-10"
SP2	4	4	2	A325	5/8"	1 3/4"	8"	3/8"	2'-6 1/2"
SP3	4	4	4	A325	3/4"	2"	8"	3/8"	4'-0 1/2"
SP4	4	0	0	A325	5/8"	1 3/4"	6"	3/8"	10"

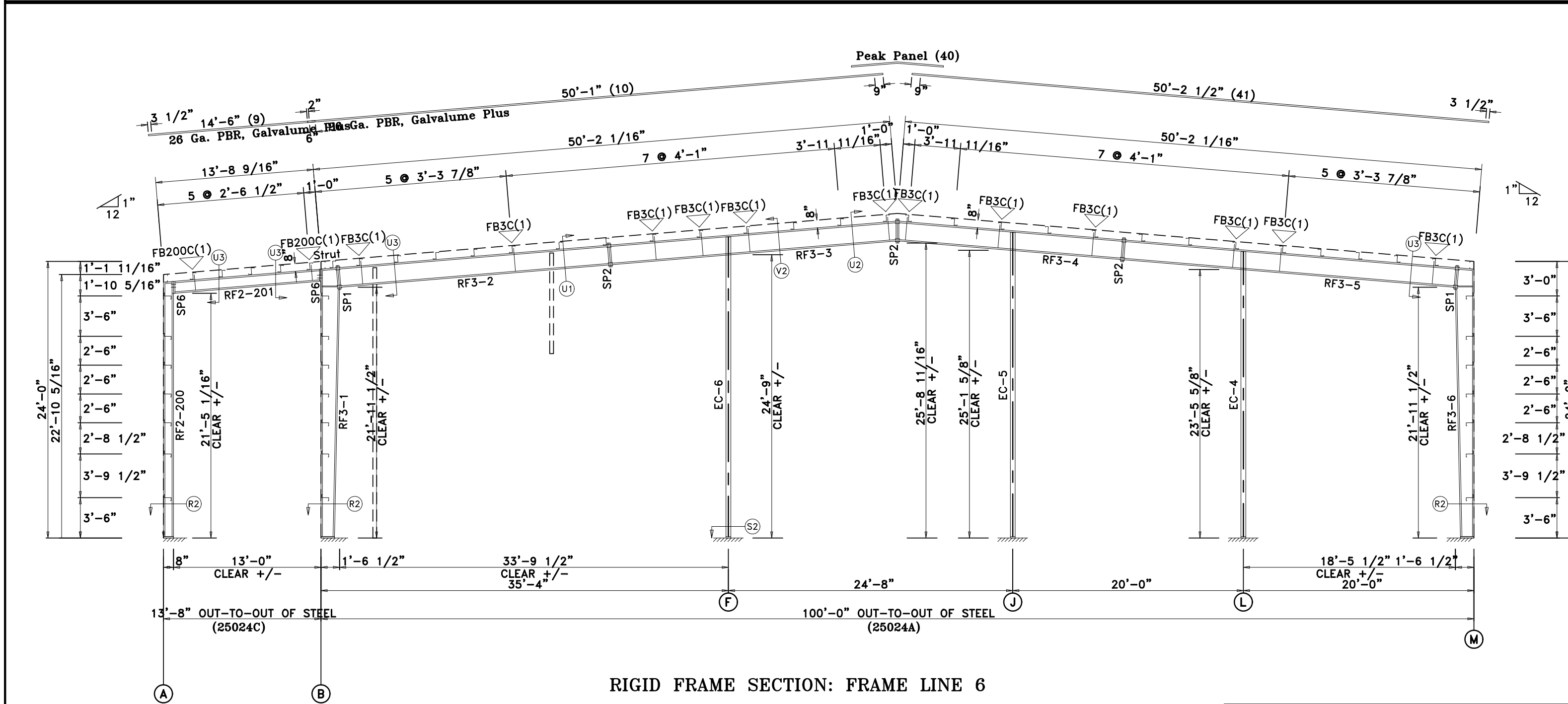
ALTERNATE MEMBER		
Frame Line	OID	Mark
5	A	RF2-5

FLANGE BRACES: Both Sides(U.N.)
 FBxxC(1)
 C - F2X2X1/8



MEMBER TABLE									
Mark	Web Depth Start/End	Web Thick	Web Plate Length	Outside Flange W x Thk x Length	Inside Flange W x Thk x Length				
RF2-1	16.9/41.5	0.188	236.6	8 x 5/16" x 279.2	8 x 3/4" x 237.8				
RF2-2	41.5/37.7	0.250	45.7	8 x 5/16" x 38.1	8 x 5/8" x 237.3				
RF2-3	41.5/23.5	0.188	236.7	8 x 5/16" x 236.7	8 x 5/16" x 321.5				
RF2-4	23.5/28.3	0.188	84.5	8 x 5/16" x 324.5					
	28.3/41.5	0.188	240.0						
	37.7/41.5	0.250	45.7	8 x 5/16" x 38.1	8 x 3/4" x 237.8				
RF1-200	41.5/16.9	0.188	236.6	8 x 5/16" x 279.2					
RF1-201	WBX13								
	W10X12								

RIGID FRAME SECTION: FRAME LINE 5



SPLICE PLATE & BOLT TABLE										CAP PLATE BOLTS				
Mark	Qty Top	Qty Bot	Int	Type	Dia	Length	Width	Thick	Length	Mark	Qty	Type	Dia	Length
SP1	4	4	0	A325	3/4"	2 1/4"	6"	5/8"	2'-0 1/2"	EC-6	4	A325	3/4"	2"
SP2	4	4	0	A325	5/8"	1 3/4"	6"	3/8"	2'-0 1/2"	EC-5	4	A325	3/4"	2"
SP6	4	0	0	A325	5/8"	1 3/4"	6"	3/8"	10"	EC-4	4	A325	3/4"	2"

FLANGE BRACES: Both Sides(U.N.)
 FBxxC(1)
 C - F2X2X1/8

MEMBER TABLE									
Mark	Web Depth Start/End	Web Thick	Web Plate Length	Outside Flange W x Thk x Length	Inside Flange W x Thk x Length				
RF3-1	11.0/17.0	0.188	240.0	6 x 3/8" x 279.2	6 x 5/8" x 259.8				
RF3-2	17.0/17.5	0.188	40.6	6 x 1/4" x 16.2					
	17.5/17.5	0.188	46.3	6 x 1/4" x 286.3	6 x 1/4" x 286.3				
RF3-3	17.5/17.5	0.188	240.0		6 x 1/4" x 115.5				
	17.5/17.5	0.188	57.2	6 x 1/4" x 297.2	6 x 1/4" x 164.2				
RF3-4	17.5/17.5	0.188	240.0	6 x 1/4" x 235.8	6 x 1/4" x 108.0				
	17.5/17.5	0.188	235.8		6 x 1/4" x 110.2				
RF3-5	17.5/17.5	0.188	240.0	6 x 1/4" x 347.7	6 x 1/4" x 113.7				
	17.5/17.5	0.188	107.7		6 x 1/4" x 217.8				
RF3-6	17.5/17.0	0.188	40.6	6 x 1/4" x 16.2	6 x 5/8" x 259.8				
	17.0/11.0	0.188	240.0	6 x 3/8" x 279.2					
EC-6	WBX24								
EC-5	WBX24								
EC-4	WBX24								
RF2-200	WBX13								
RF2-201	W10X12								

RIGID FRAME SECTION: FRAME LINE 6

APPROVAL DRAWINGS

- APPROVED AS DRAWN
- APPROVED AS NOTED
- NOT APPROVED

____ INITIAL

Please Check And Approve All Dimensions And Conditions. STANDARD STRUCTURES Must Be Notified Of Any Changes.

MANUFACTURER OF METAL BUILDINGS & COMPONENTS

P.O. BOX 1912
 ODESSA, TX. 79760
 1-800-240-0335

ACCREDITED
 Metal Building Systems
 AC 472

APPROVAL & PERMIT

JOB NAME: Monomoy Construction Services

PROJECT NAME: Bartow

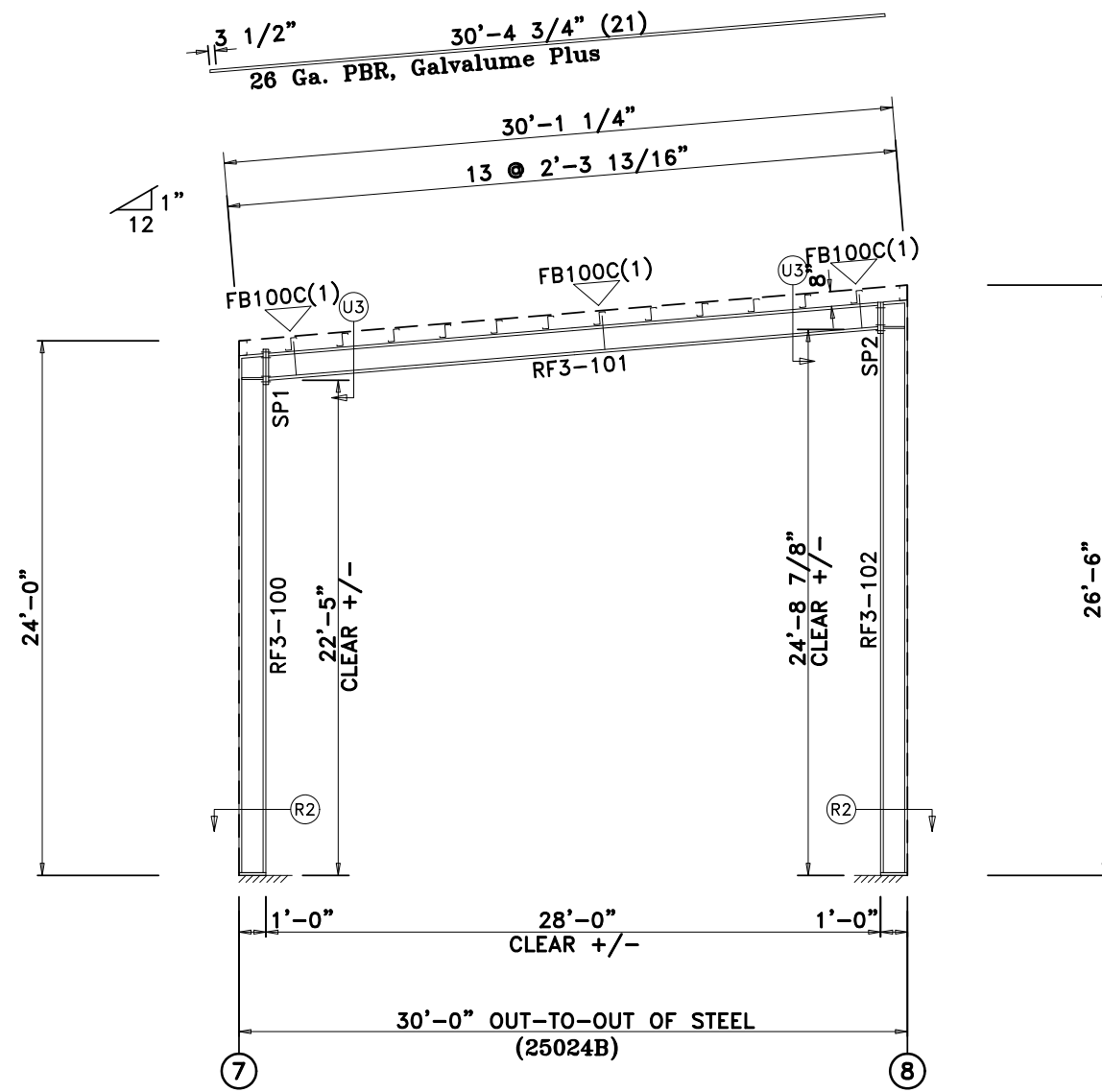
JOB LOCATION: Bartow, FL 33830

DRAWING TITLE: RIGID FRAME SECTION

DATE: 6/13/25 DET: _____ JOB NO.: 25024 PG.: E-10

SPLICE PLATE & BOLT TABLE										
Mark	Qty	Top	Bot	Int	Type	Dia	Length	Width	Thick	Length
SP1	4	4	0		A325	5/8"	1 3/4"	8"	3/8"	1'-6 1/2"
SP2	2	4	0		A325	3/4"	2 1/4"	8"	5/8"	1'-3"

FLANGE BRACES: Both Sides(U.N.)
 FBxC(1)
 C - F2X2X1/8

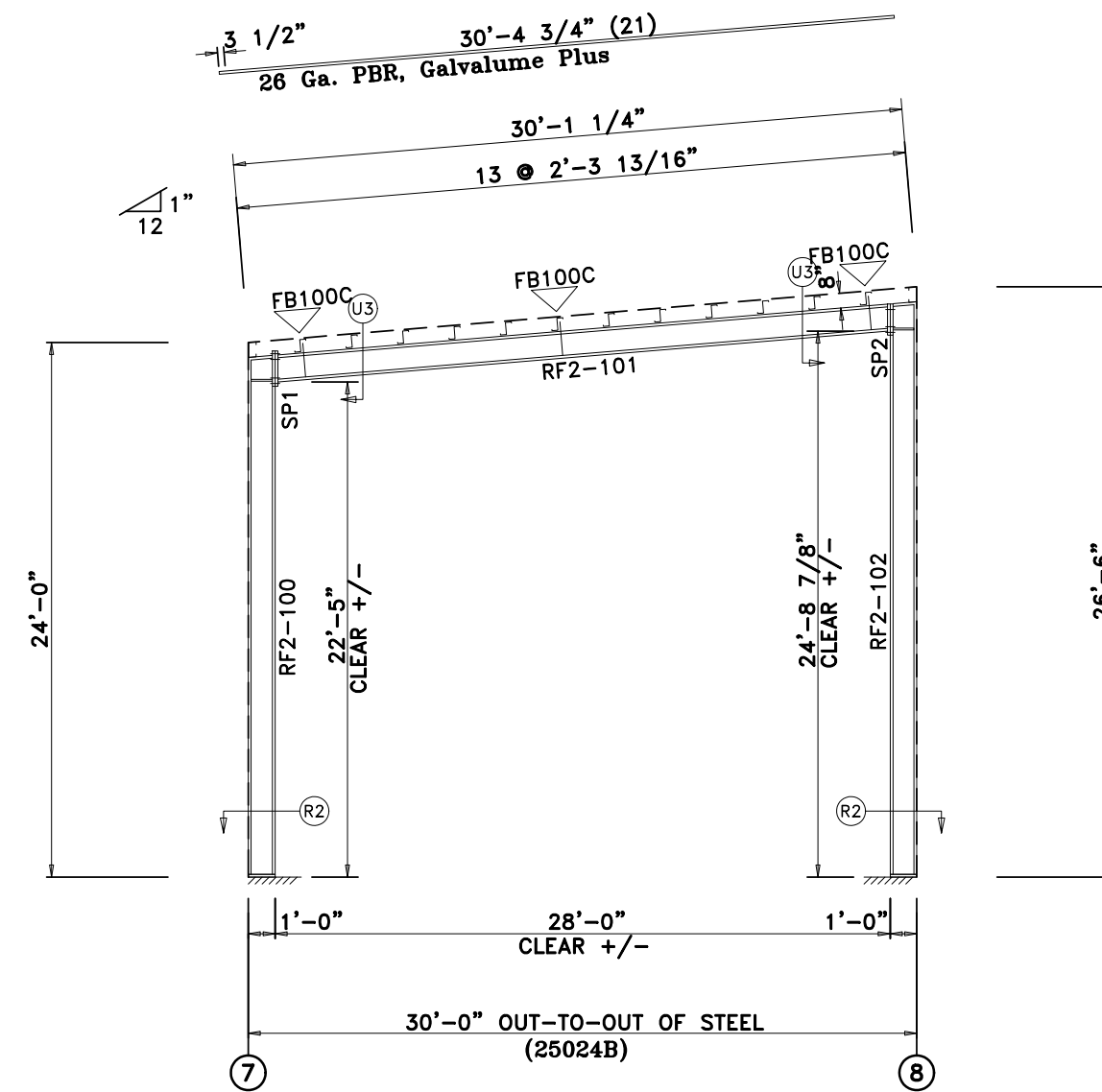


RIGID FRAME SECTION: FRAME LINE N

MEMBER TABLE										
Mark	Web Depth		Web Plate		Outside Flange			Inside Flange		
	Start	End	Thick	Length	W x Thk	x Length	W x Thk	x Length		
RF3-100	11.5	11.5	0.188	240.0	8 x 1/4"	x 279.3	8 x 1/4"	x 265.3		
RF3-101	11.5	11.5	0.188	40.3	8 x 1/4"	x 11.8	6 x 1/4"	x 335.6		
RF3-102	11.5	11.5	0.188	96.6	8 x 1/4"	x 11.8	6 x 1/4"	x 335.6		
				240.0						
				69.3	8 x 1/4"	x 11.8	8 x 1/4"	x 293.6		
				240.0	8 x 1/4"	x 309.3				

SPLICE PLATE & BOLT TABLE										
Mark	Qty	Top	Bot	Int	Type	Dia	Length	Width	Thick	Length
SP1	4	4	0		A325	5/8"	1 3/4"	8"	3/8"	1'-6 1/2"
SP2	2	4	0		A325	3/4"	2 3/4"	8"	3/4"	1'-3 1/2"

FLANGE BRACES: Both Sides(U.N.)
 FBxC(1)
 C - F2X2X1/8

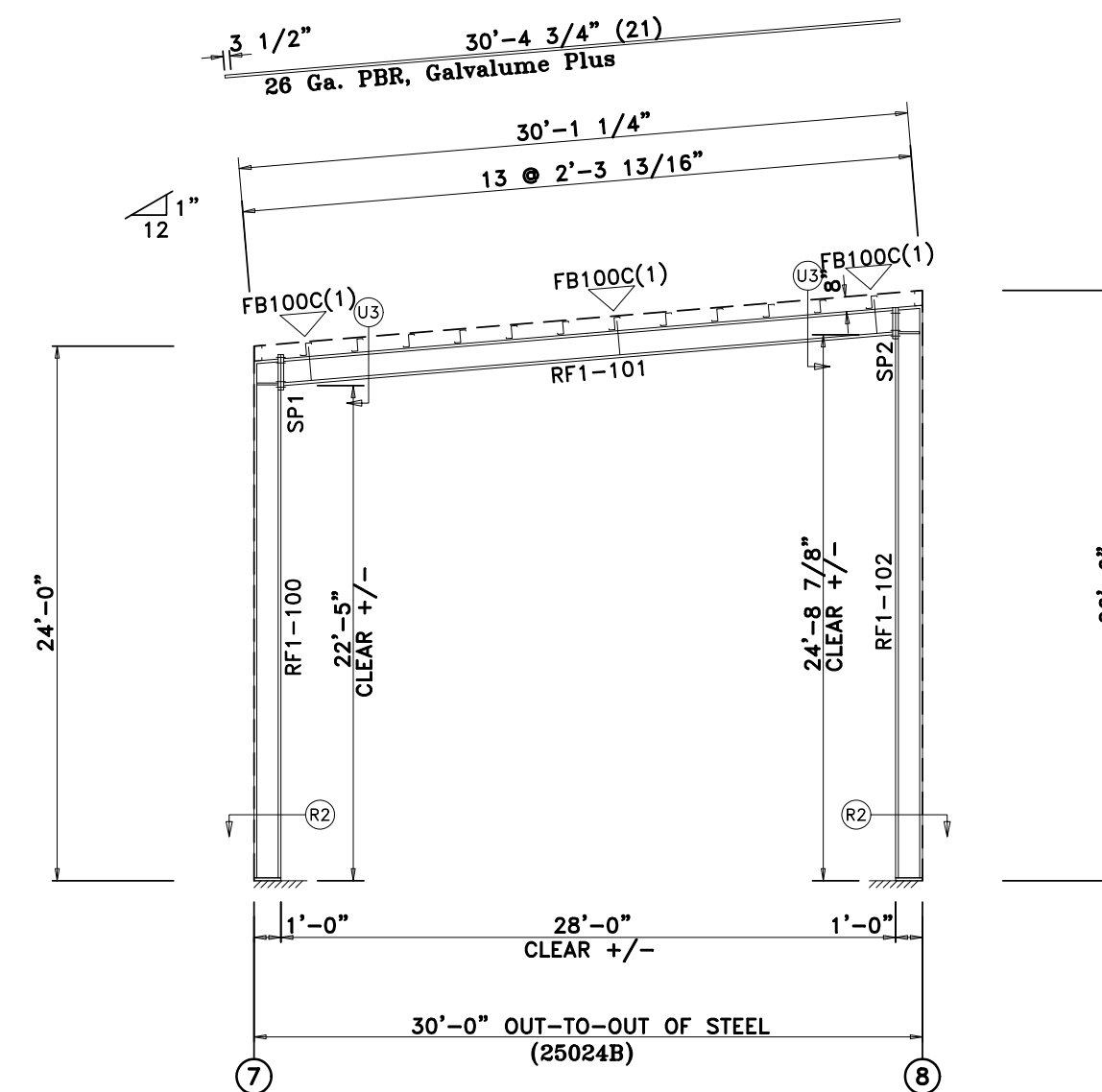


RIGID FRAME SECTION: FRAME LINE P

MEMBER TABLE										
Mark	Web Depth		Web Plate		Outside Flange			Inside Flange		
	Start	End	Thick	Length	W x Thk	x Length	W x Thk	x Length		
RF2-100	11.5	11.5	0.188	240.0	8 x 1/4"	x 279.2	8 x 1/4"	x 265.2		
RF2-101	11.5	11.5	0.188	40.2	8 x 1/4"	x 11.8	6 x 1/4"	x 335.6		
RF2-102	11.5	11.5	0.188	96.6	8 x 1/4"	x 11.8	6 x 1/4"	x 335.6		
				240.0						
				45.2	8 x 1/4"	x 11.5	8 x 1/2"	x 293.0		
				240.0	8 x 1/4"	x 309.2				

SPLICE PLATE & BOLT TABLE										
Mark	Qty	Top	Bot	Int	Type	Dia	Length	Width	Thick	Length
SP1	4	4	0		A325	5/8"	1 3/4"	8"	3/8"	1'-6 1/2"
SP2	2	4	0		A325	3/4"	2 1/4"	8"	5/8"	1'-3"

FLANGE BRACES: Both Sides(U.N.)
 FBxC(1)
 C - F2X2X1/8



RIGID FRAME SECTION: FRAME LINE Q

MEMBER TABLE										
Mark	Web Depth		Web Plate		Outside Flange			Inside Flange		
	Start	End	Thick	Length	W x Thk	x Length	W x Thk	x Length		
RF1-100	11.5	11.5	0.188	240.0	8 x 1/4"	x 279.3	8 x 1/4"	x 265.3		
RF1-101	11.5	11.5	0.188	40.3	8 x 1/4"	x 11.8	6 x 1/4"	x 335.6		
RF1-102	11.5	11.5	0.188	96.6	8 x 1/4"	x 11.8	6 x 1/4"	x 335.6		
				240.0						
				69.3	8 x 1/4"	x 11.8	8 x 1/4"	x 293.6		
				240.0	8 x 1/4"	x 309.3				

APPROVAL DRAWINGS

- APPROVED AS DRAWN
- APPROVED AS NOTED
- NOT APPROVED

____ INITIAL

Please Check And Approve All Dimensions
 And Conditions. STANDARD STRUCTURES
 Must Be Notified Of Any Changes.

SSI STANDARD STRUCTURES INC.
 MANUFACTURER OF METAL BUILDINGS & COMPONENTS

P.O. BOX 1912
 ODESSA, TX. 79760
 1-800-240-0335

APPROVAL & PERMIT

IAS

ACCREDITED
 Metal Building Systems
 AC 472

JOB NAME: Monomoy Construction Services

PROJECT NAME: Bartow

JOB LOCATION: Bartow, FL 33830

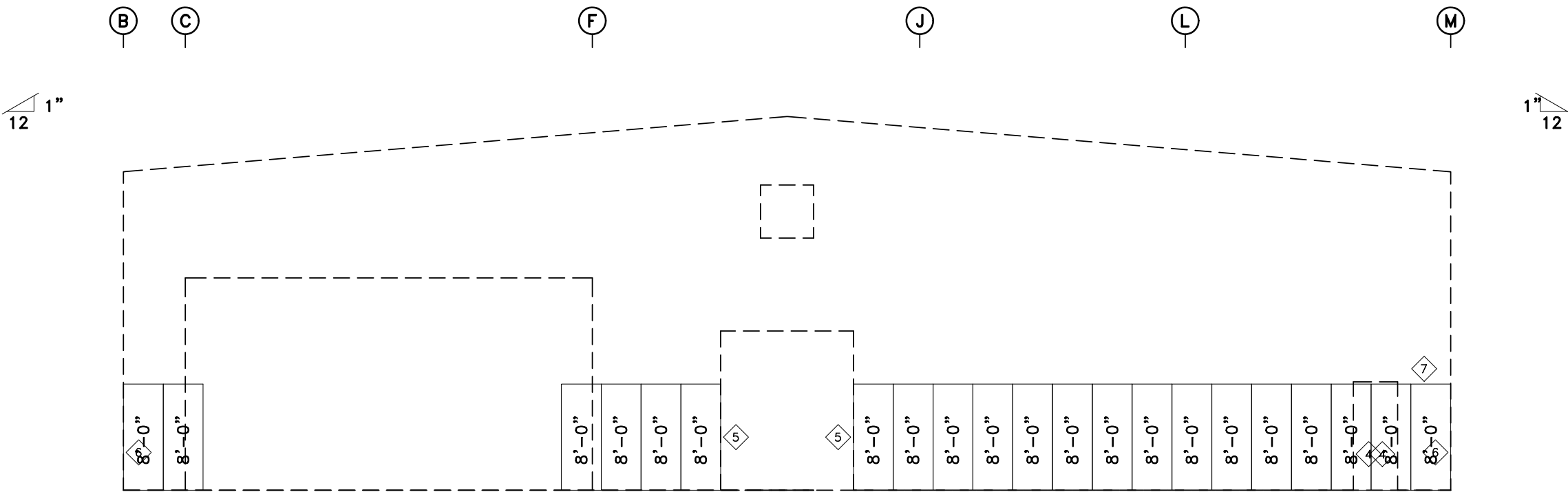
DRAWING TITLE: RIGID FRAME SECTION

DATE: 6/13/25 DET: _____ JOB NO.: 25024

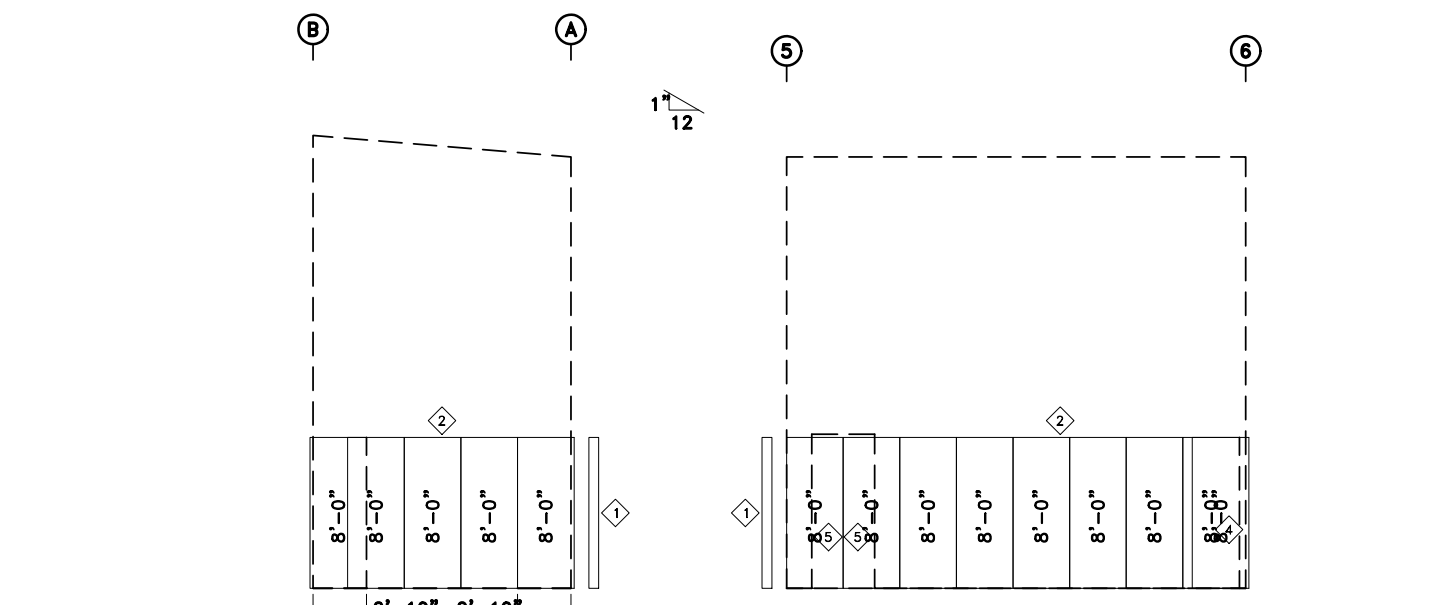
PG.: E-11

TRIM TABLE				
FRAME LINE M 6 B				
ID	QUAN	PART	LENGTH	DETAIL
1	1	3X3ISANG	8'-0"	TRIM_80
2	1	HEADM243	8'-0"	TRIM_781
3	5	HEADM243	20'-3"	TRIM_10
4	1	JMBTM243	8'-0"	TRIM_82
5	1	JMBTM243	8'-2"	TRIM_82
6	1	HEADM243	8'-4"	TRIM_8
7	4	HEADM243	20'-3"	TRIM_10

TRIM TABLE				
FRAME LINE 5 6 A				
ID	QUAN	PART	LENGTH	DETAIL
1	1	IA4X4W/H	8'-0"	TRIM_80
2	1	HEADM243	20'-3"	TRIM_10
3	1	HEADM243	8'-4"	TRIM_8
4	1	HEADM243	8'-0"	TRIM_781
5	1	JMBTM243	8'-0"	TRIM_82

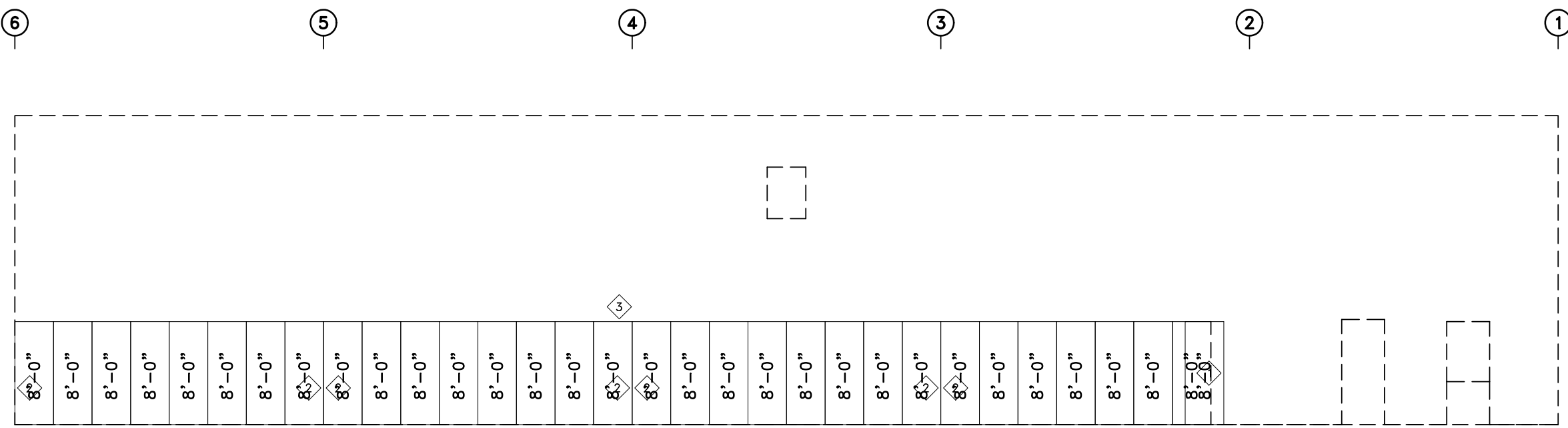


ENDWALL LINER SHEETING & TRIM: FRAME LINE 6
 PANELS: 26 Ga. RPBM - Need Color Walls
 (As Viewed From Inside Of Building)

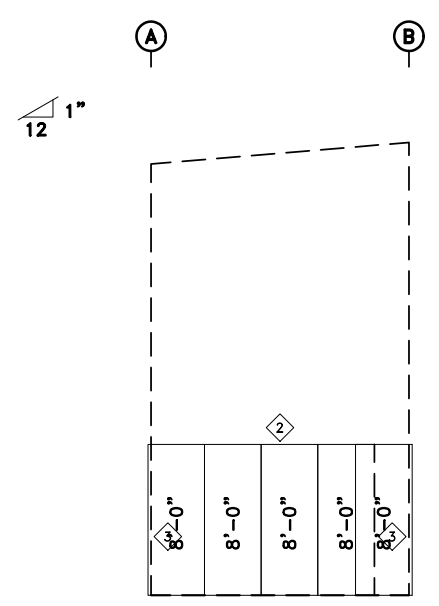


ENDWALL LINER SHEETING & TRIM: FRAME LINE 5
 PANELS: 26 Ga. RPBM - Need Color Walls
 (As Viewed From Inside Of Building)

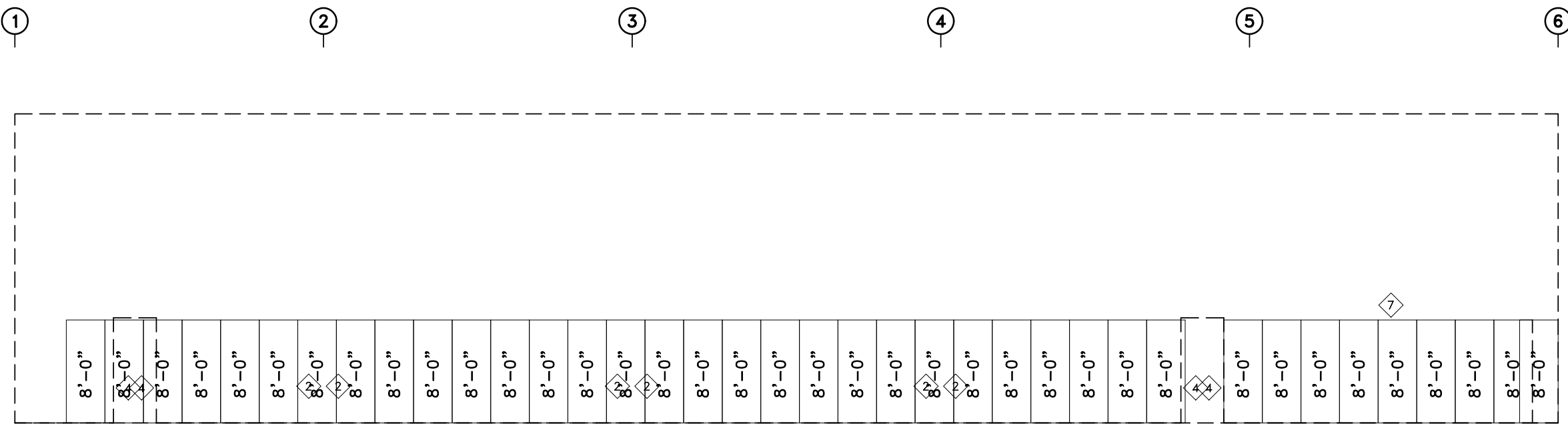
ENDWALL LINER SHEETING & TRIM: FRAME LINE A
 PANELS: 26 Ga. RPBM - Need Color Walls
 (As Viewed From Inside Of Building)



SIDEWALL LINER SHEETING & TRIM: FRAME LINE M
 PANELS: 26 Ga. RPBM - Need Color Walls
 (As Viewed From Inside Of Building)



ENDWALL LINER SHEETING & TRIM: FRAME LINE 6
 PANELS: 26 Ga. RPBM - Need Color Walls
 (As Viewed From Inside Of Building)



SIDEWALL LINER SHEETING & TRIM: FRAME LINE B
 PANELS: 26 Ga. RPBM - Need Color Walls
 (As Viewed From Inside Of Building)

ALL TRIM LAPS ARE TO BE 3" LONG
 NOTE: If Trim Lap is More Than 3" Long, The Trim May Not Cover The Required Coverage Length.

APPROVAL DRAWINGS

APPROVED AS DRAWN
 APPROVED AS NOTED
 NOT APPROVED

____ INITIAL

Please Check And Approve All Dimensions And Conditions. STANDARD STRUCTURES Must Be Notified Of Any Changes.

SSI STANDARD STRUCTURES INC.
 MANUFACTURER OF METAL BUILDINGS & COMPONENTS
 P.O. BOX 1912
 ODESSA, TX. 79760
 1-800-240-0335

IAS
 ACCREDITED
 Metal Building Systems
 AC 472

APPROVAL & PERMIT

JOB NAME: Monomoy Construction Services
 PROJECT NAME: Bartow
 JOB LOCATION: Bartow, FL 33830
 DRAWING TITLE: LINER DRAWING
 DATE: 6/13/25 DET: JOB NO.: 25024 PG.: E-12