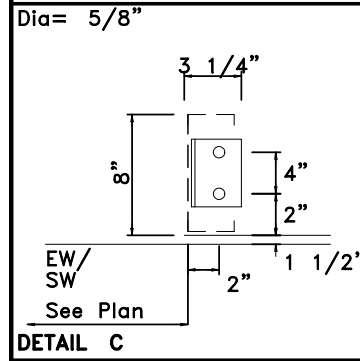
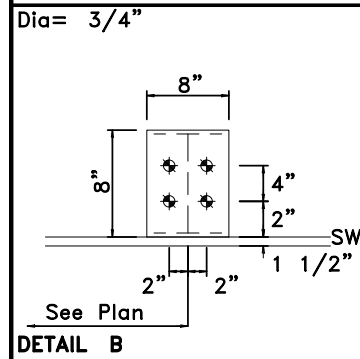
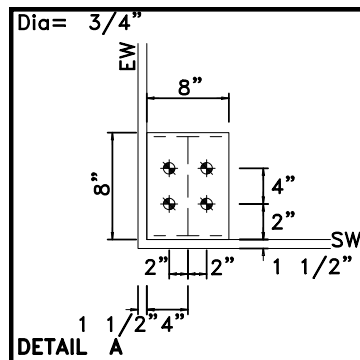




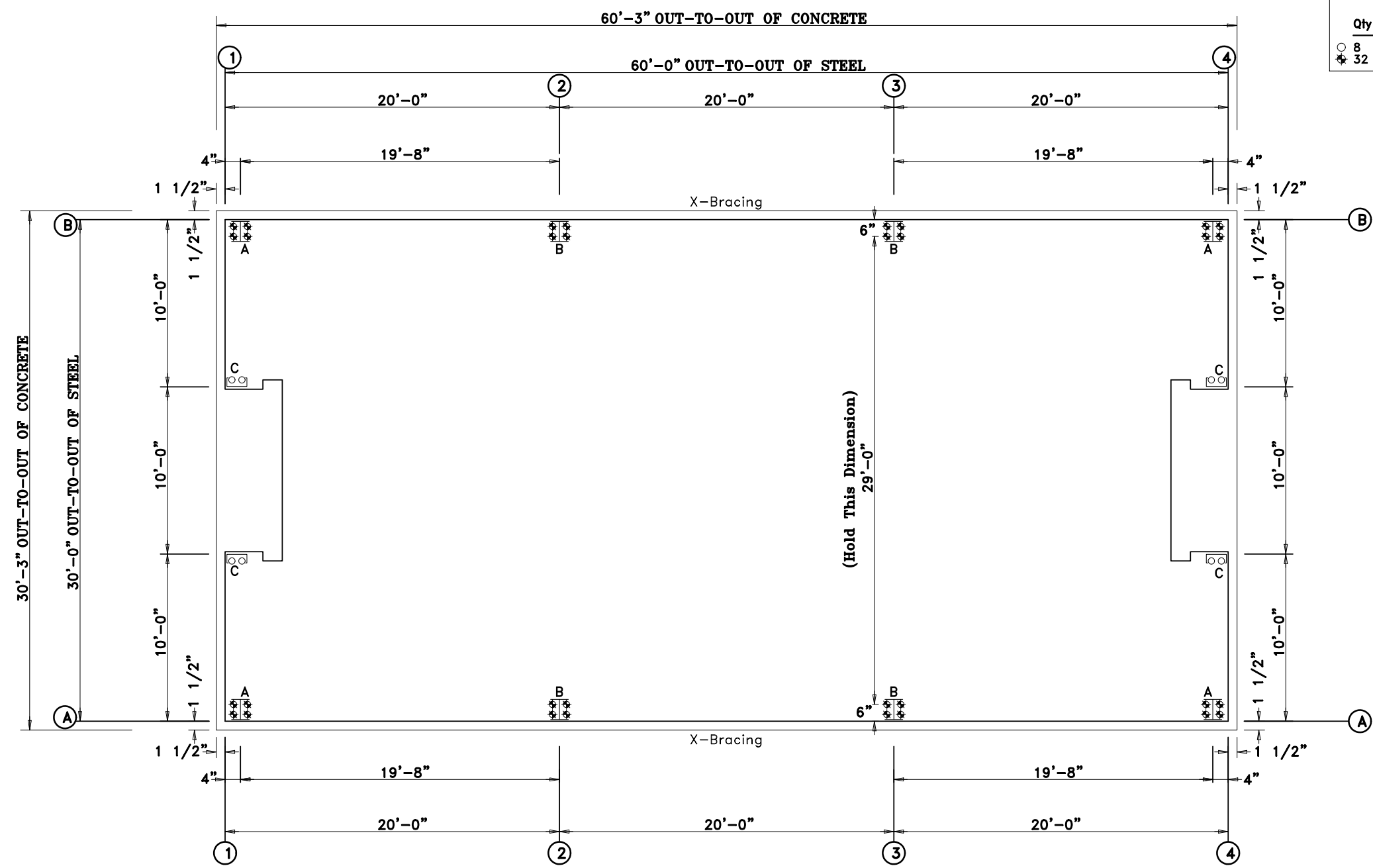
Standard Structures, Inc.

Job #25028
Final Design

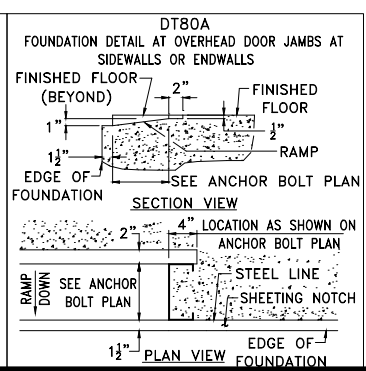
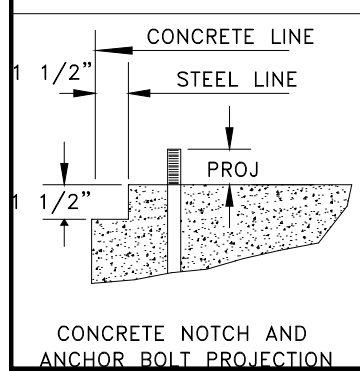


ANCHOR BOLT SUMMARY

Qty	Locate	Dia (in)	Type	Proj (in)
8	Jamb	5/8"	A307	1.50
32	Frame	3/4"	A307	2.00



ANCHOR BOLT PLAN
 NOTE: All Base Plates @ 100'-0" (I.L.N.)



APPROVAL DRAWINGS

APPROVED AS DRAWN

APPROVED AS NOTED

NOT APPROVED

____ INITIAL

Please Check And Approve All Dimensions And Conditions. STANDARD STRUCTURES Must Be Notified Of Any Changes.

SSI STANDARD STRUCTURES INC.
 MANUFACTURER OF METAL BUILDINGS & COMPONENTS

P.O. BOX 1912
 ODESSA, TX. 79760
 1-800-240-0335

IAS
 ACCREDITED™
 Metal Building Systems
 AC 472

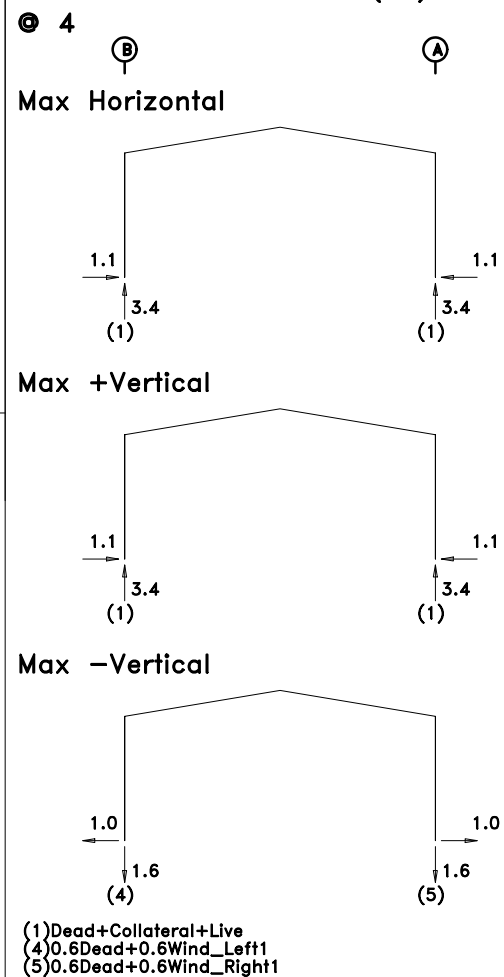
APPROVAL & PERMIT

JOB NAME: NC Sturgeon			
PROJECT NAME: Midland Shooters			
JOB LOCATION: Midland, TX 79706			
DRAWING TITLE: ANCHOR BOLT PLAN			
DATE: 4/ 1/25	DET:	JOB NO.: 25028	PG.: E-1

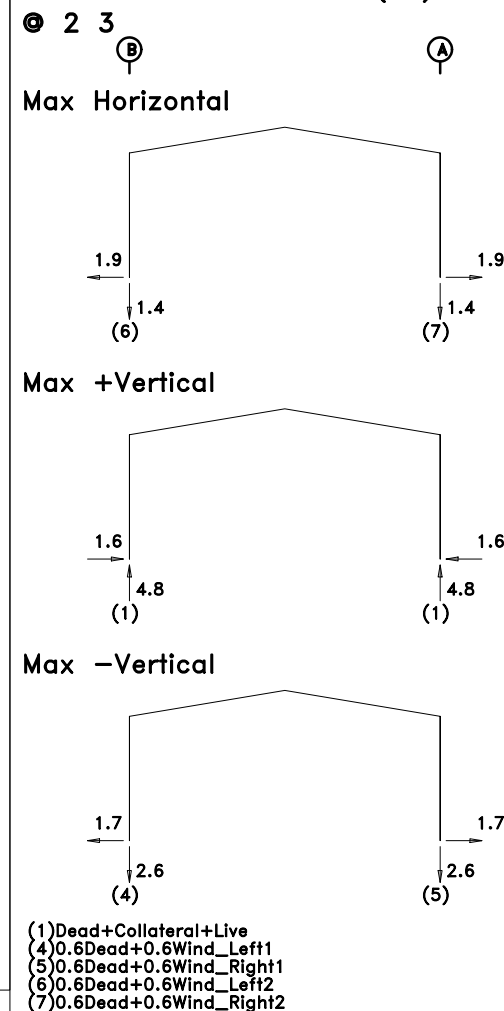
NOTES FOR REACTIONS

Building reactions are based on the following building data:
 Width (ft) = 30.0
 Length (ft) = 60.0
 Eave Height (ft) = 12.0
 Roof Slope (rise/12) = 2.00/2.00
 Roof Dead Load (psf) = 2.0
 Roof Live Load (psf) = 20.0
 Frame Live Load Min (psf) = 12.0
 Max (psf) = 17.9
 Collateral Load (psf) = 1.0
 Snow Load (psf) = 3.5
 Minimum Snow (psf) = 5.0
 Wind Speed (mph) = 106.0
 Wind Code = 2018 IBC
 Exposure = C
 Closure = Enclosed
 Internal Wind Coeff = -0.18, +0.18
 Risk Category = II - Normal
 Importance - Seismic = 1.00
 Seismic Design Category = A

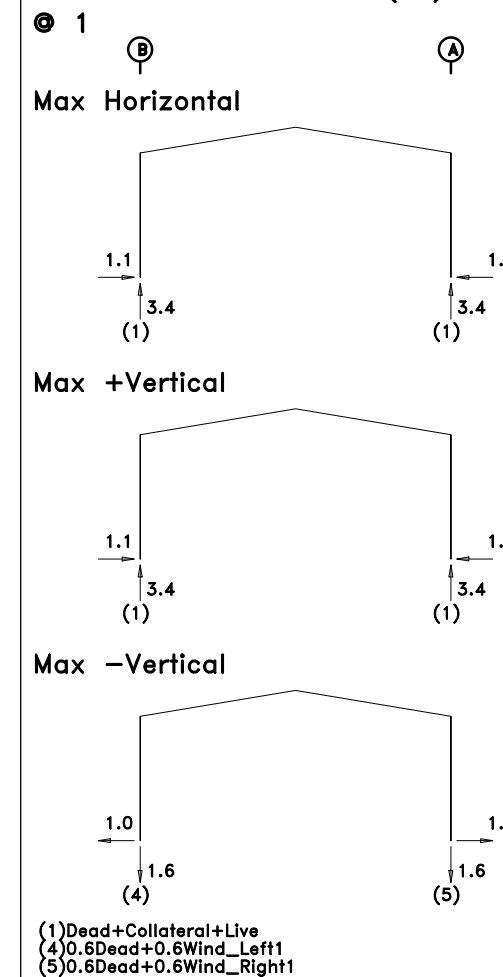
RIGID FRAME REACTIONS (k)



RIGID FRAME REACTIONS (k)



RIGID FRAME REACTIONS (k)



BUILDING BRACING REACTIONS

Wall Loc	Line	Col Line	± Reactions(k)		Seismic		Panel_Shear (lb/ft)	Note
			0.6Wind Horz	0.6Wind Vert	Horz	Vert		
L_EW	1							(h)
F_SW	A	2,3	1.0	0.5	0.1	0.1		(h)
R_EW	4							
B_SW	B	3,2	1.0	0.5	0.1	0.1		

(h) Rigid frame at endwall

Reactions for seismic represent shear force, Eh
 Reaction values shown are unfactored

APPROVAL DRAWINGS

- APPROVED AS DRAWN
- APPROVED AS NOTED
- NOT APPROVED

____ INITIAL

Please Check And Approve All Dimensions
 And Conditions. STANDARD STRUCTURES
 Must Be Notified Of Any Changes.

SSI STANDARD STRUCTURES INC.

MANUFACTURER OF METAL BUILDINGS & COMPONENTS

P.O. BOX 1912
 ODESSA, TX. 79760
 1-800-240-0335

APPROVAL & PERMIT

JOB NAME: NC Sturgeon
 PROJECT NAME: Midland Shooters

JOB LOCATION: Midland, TX 79706

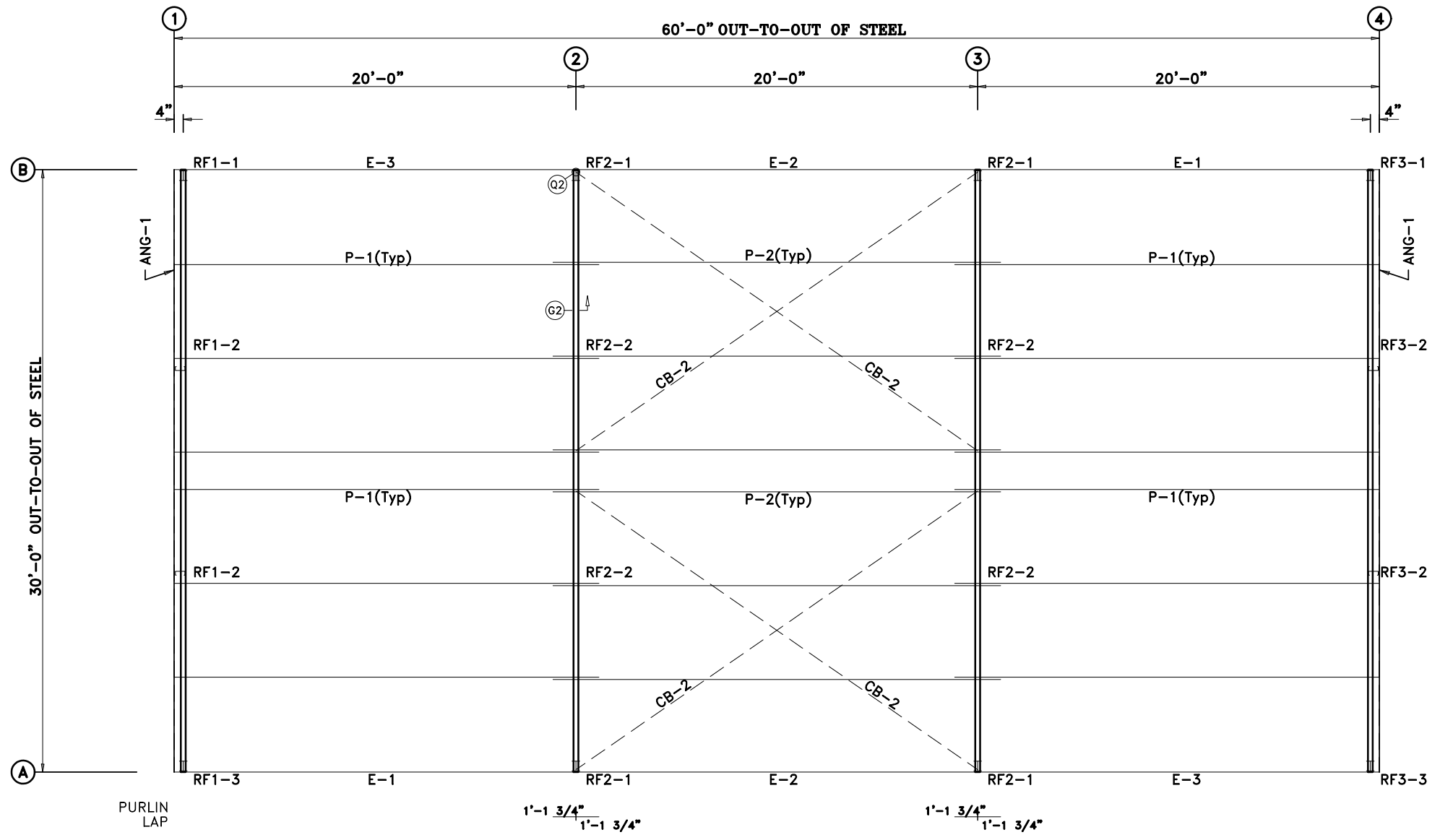
DRAWING TITLE: ANCHOR BOLT REACTIONS

DATE: 4/ 1/25 DET: JOB NO.: 25028 PG.: E-2



ACCREDITED™
 Metal Building Systems
 AC 472

MEMBER TABLE			
ROOF PLAN			
QUAN	MARK	PART	LENGTH
12	P-1	8x25Z16	21'-1 1/2"
6	P-2	8x25Z16	22'-3 1/2"
2	E-1	82LEDS14	19'-11 1/2"
2	E-2	82LEDS14	19'-11 1/2"
2	E-3	82LEDS14	19'-11 1/2"
4	CB-2	1/4_CBL	22'-8"



ROOF FRAMING PLAN

APPROVAL DRAWINGS

APPROVED AS DRAWN
 APPROVED AS NOTED
 NOT APPROVED

_____ INITIAL

Please Check And Approve All Dimensions
And Conditions. STANDARD STRUCTURES
Must Be Notified Of Any Changes.

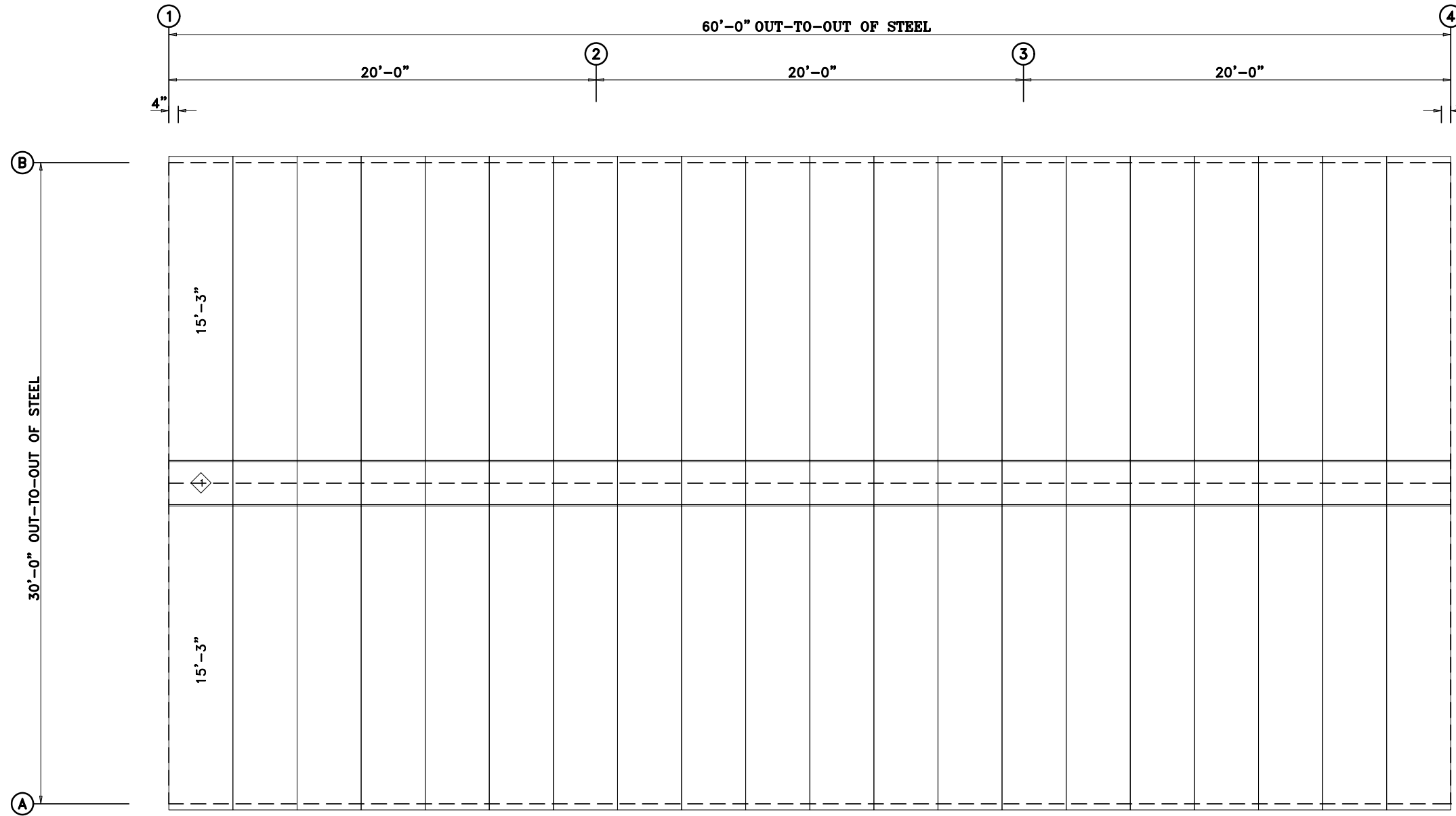
SSI STANDARD STRUCTURES INC.
 MANUFACTURER OF METAL BUILDINGS & COMPONENTS
 P.O. BOX 1912
 ODESSA, TX. 79760
 1-800-240-0335

IAS
 ACCREDITED™
 Metal Building Systems
 AC 472

APPROVAL & PERMIT

JOB NAME: NC Sturgeon
 PROJECT NAME: Midland Shooters
 JOB LOCATION: Midland, TX 79706
 DRAWING TITLE: ROOF FRAMING PLAN
 DATE: 4/ 3/25 DET: _____ JOB NO.: 25028 PG.: E-3

TRIM TABLE				
ROOF PLAN				
◇ID	QUAN	PART	LENGTH	DETAIL
1	20	PEAK 26R	3'-0"	TRIM #1



ROOF SHEETING PLAN
PANELS: 26 Ga. PBR - Polar White

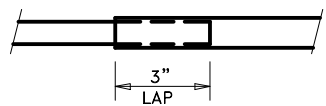
APPROVAL DRAWINGS	
<input type="checkbox"/>	APPROVED AS DRAWN
<input type="checkbox"/>	APPROVED AS NOTED
<input type="checkbox"/>	NOT APPROVED
____ INITIAL	
Please Check And Approve All Dimensions And Conditions. <u>STANDARD STRUCTURES</u> Must Be Notified Of Any Changes.	

SSI STANDARD STRUCTURES INC.
 MANUFACTURER OF METAL BUILDINGS & COMPONENTS
 P.O. BOX 1912
 ODESSA, TX. 79760
 1-800-240-0335

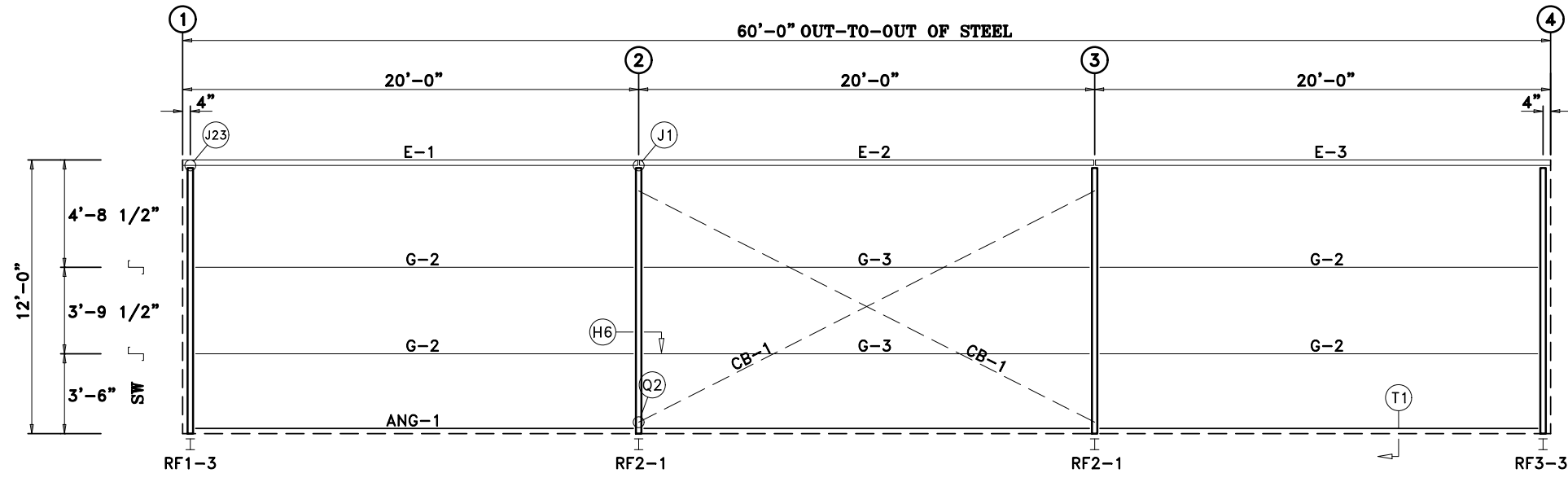
IAS
 ACCREDITED™
 Metal Building Systems
 AC 472

APPROVAL & PERMIT

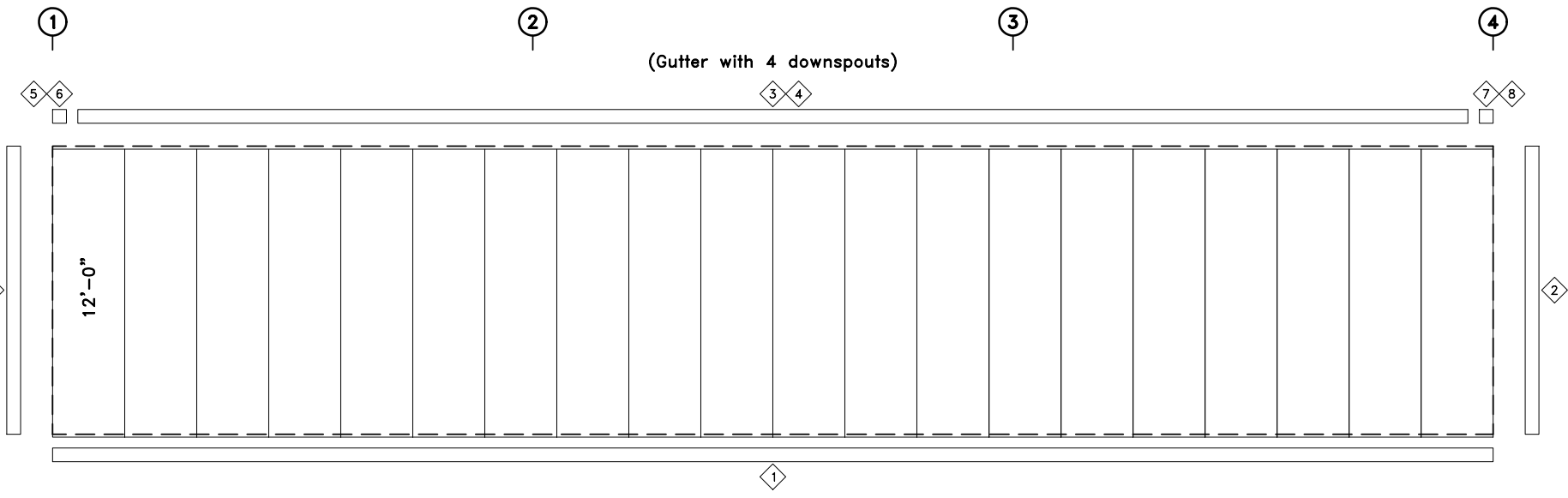
JOB NAME: NC Sturgeon
 PROJECT NAME: Midland Shooters
 JOB LOCATION: Midland, TX 79706
 DRAWING TITLE: *ROOF FRAMING PLAN*
 DATE: 4/ 1/25 DET: JOB NO.: 25028 PG.: E-4



ALL TRIM LAPS ARE TO BE 3" LONG
 NOTE: If Trim Lap Is More Than 3" Long, The Trim May Not Cover The Required Coverage Length.



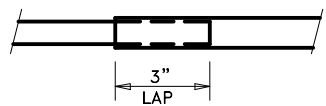
SIDEWALL FRAMING: FRAME LINE A



SIDEWALL SHEETING & TRIM: FRAME LINE A
 PANELS: 26 Ga. PBR - Ash Gray

TRIM TABLE				
FRAME LINE A				
ID	QUAN	PART	LENGTH	DETAIL
1	6	BASETRIM	10'-3"	
2	2	CRNTR243	12'-1"	TRIM #2
3	3	GUTT243	20'-2"	TRIM #5
4	6	BACKSPLS	10'-3"	
5	1	SGUTENDL	6"	
6	1	SCRNBX-L	6"	TRIM #16
7	1	SGUTENDR	6"	TRIM #16
8	1	SCRNBX-R	6"	TRIM #16

MEMBER TABLE				
FRAME LINE A				
QUAN	MARK	PART	LENGTH	
1	E-1	82LEDS14	19'-11 1/2"	
1	E-2	82LEDS14	19'-11 1/2"	
1	E-3	82LEDS14	19'-11 1/2"	
4	G-2	8x25Z16	19'-3 9/16"	
2	G-3	8x25Z16	19'-7 9/16"	
2	CB-1	1/4_CBL	21'-2"	



ALL TRIM LAPS ARE TO BE 3" LONG

NOTE: If Trim Lap Is More Than 3" Long, The Trim May Not Cover The Required Coverage Length.

APPROVAL DRAWINGS

- APPROVED AS DRAWN
- APPROVED AS NOTED
- NOT APPROVED

____ INITIAL

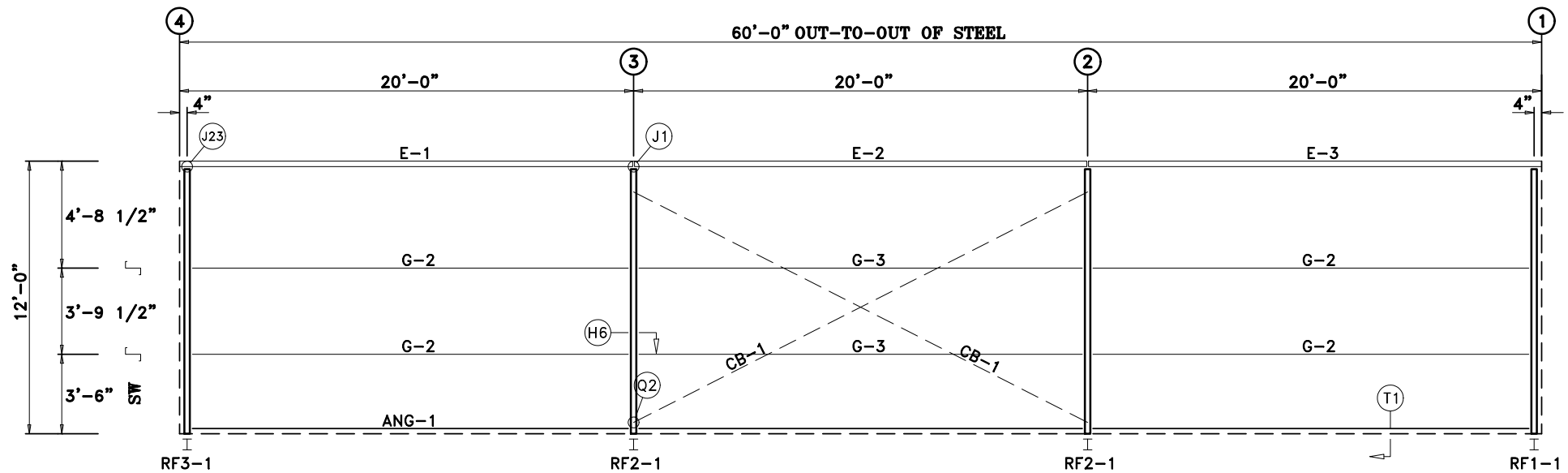
Please Check And Approve All Dimensions And Conditions. STANDARD STRUCTURES Must Be Notified Of Any Changes.

SSI STANDARD STRUCTURES INC.
 MANUFACTURER OF METAL BUILDINGS & COMPONENTS
 P.O. BOX 1912
 ODESSA, TX. 79760
 1-800-240-0335

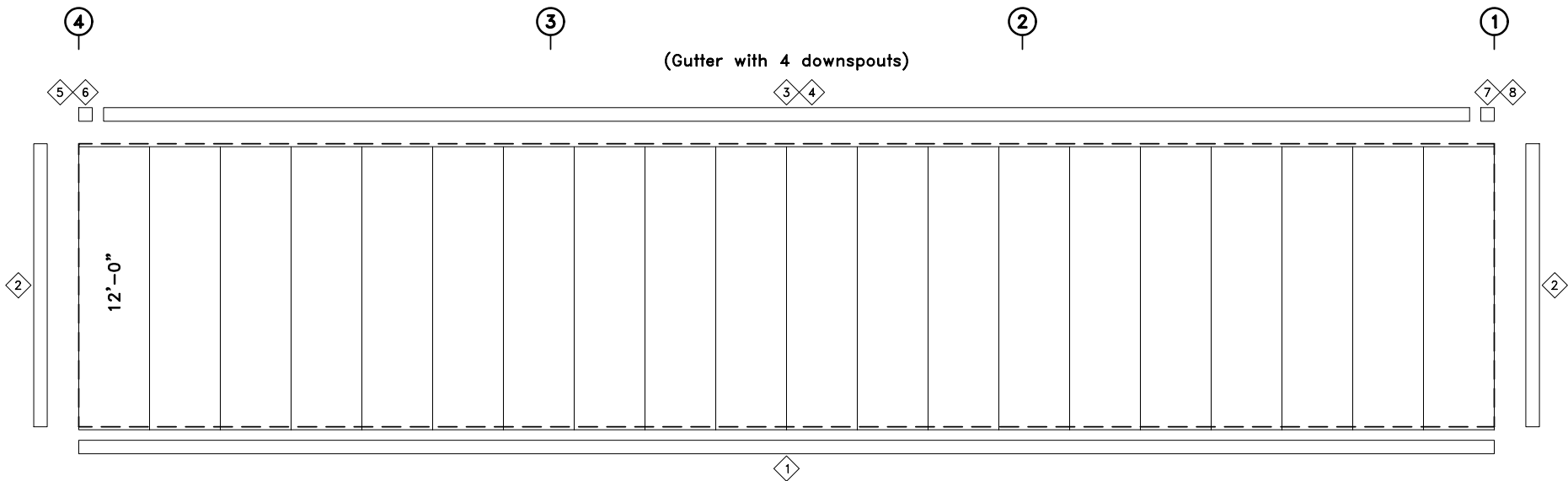
IAS
 ACCREDITED™
 Metal Building Systems
 AC 472

APPROVAL & PERMIT

JOB NAME: NC Sturgeon
 PROJECT NAME: Midland Shooters
 JOB LOCATION: Midland, TX 79706
 DRAWING TITLE: *SIDEWALL DRAWING*
 DATE: 4/ 1/25 DET: JOB NO.: 25028 PG.: E-5



SIDEWALL FRAMING: FRAME LINE B



SIDEWALL SHEETING & TRIM: FRAME LINE B

PANELS: 26 Ga. PBR - Ash Gray

TRIM TABLE				
FRAME LINE B				
ID	QUAN	PART	LENGTH	DETAIL
1	6	BASETRIM	10'-3"	
2	2	CRNTR243	12'-1"	TRIM #2
3	3	GUTT243	20'-2"	TRIM #5
4	6	BACKSPLS	10'-3"	
5	1	SGUTENDL	6"	
6	1	SCRNBX-L	6"	TRIM #16
7	1	SGUTENDR	6"	TRIM #16
8	1	SCRNBX-R	6"	TRIM #16

MEMBER TABLE				
FRAME LINE B				
QUAN	MARK	PART	LENGTH	
1	E-1	82LEDS14	19'-11 1/2"	
1	E-2	82LEDS14	19'-11 1/2"	
1	E-3	82LEDS14	19'-11 1/2"	
4	G-2	8x25Z16	19'-3 9/16"	
2	G-3	8x25Z16	19'-7 9/16"	
2	CB-1	1/4_CBL	21'-2"	

APPROVAL DRAWINGS

- APPROVED AS DRAWN
- APPROVED AS NOTED
- NOT APPROVED

____ INITIAL

Please Check And Approve All Dimensions
And Conditions. STANDARD STRUCTURES
Must Be Notified Of Any Changes.

SSI STANDARD STRUCTURES INC.

MANUFACTURER OF METAL BUILDINGS & COMPONENTS

P.O. BOX 1912
ODESSA, TX. 79760
1-800-240-0335

IAS

ACCREDITED™
Metal Building Systems
AC 472

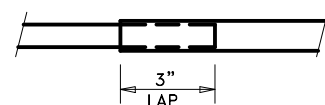
APPROVAL & PERMIT

JOB NAME: NC Sturgeon
PROJECT NAME: Midland Shooters

JOB LOCATION: Midland, TX 79706

DRAWING TITLE: *SIDEWALL DRAWING*

DATE: 4/ 1/25 DET: JOB NO.: 25028 PG.: E-6



ALL TRIM LAPS ARE TO BE 3" LONG

NOTE: If Trim Lap Is More Than 3" Long, The Trim May Not Cover The Required Coverage Length.

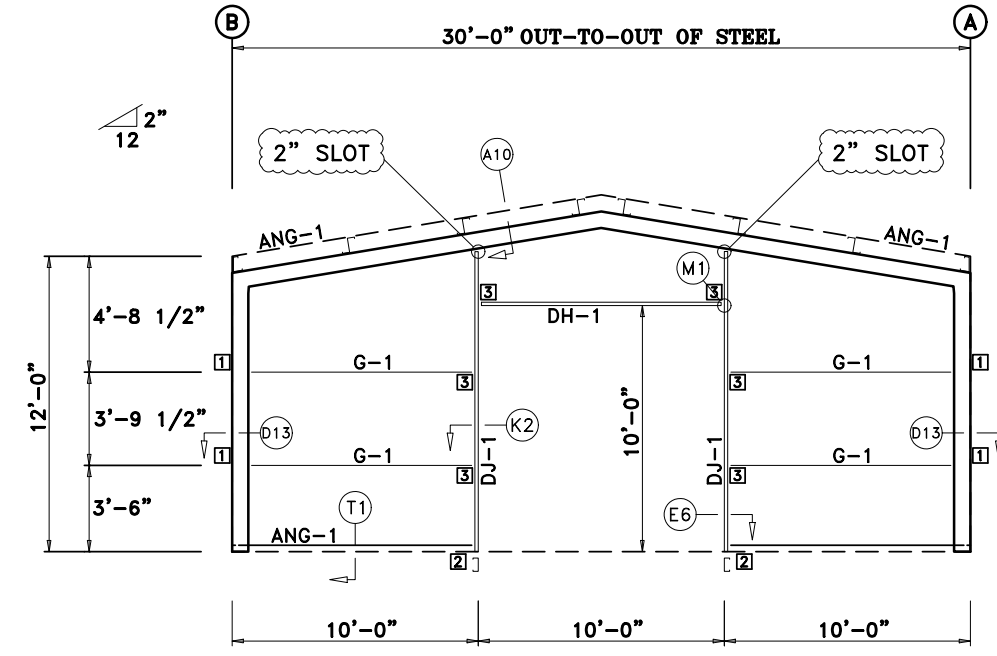
For jamb to rafter connection; provide 3/8" thick knife plate with 2" slots and (2) 1/2" dia. A325 bolts located in the center of the slots. Provide hardened washers and double nuts.

TRIM TABLE				
FRAME LINE 1				
ID	QUAN	PART	LENGTH	DETAIL
1	2	BASETRIM	10'-3"	
2	2	RAKER243	15'-9"	TRIM #3
3	1	PEAKBX-R	1'-2"	TRIM #15
4	2	JMBTR243	10'-2"	TRIM #6
5	1	HEADR243	10'-4"	TRIM #8

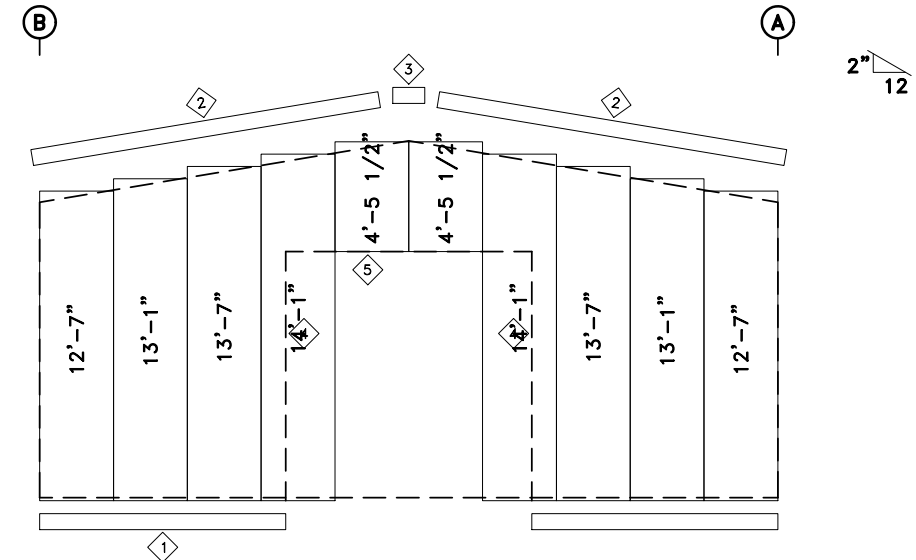
BOLT TABLE				
FRAME LINE 1				
LOCATION	QUAN	TYPE	DIA	LENGTH
Jamb	2	A325	5/8"	1 1/2"

MEMBER TABLE				
FRAME LINE 1				
QUAN	MARK	PART	LENGTH	
2	DJ-1	8x35C16	12'-2 5/8"	
1	DH-1	8x35C16	10'-0"	
4	G-1	8x25Z16	8'-11 7/8"	

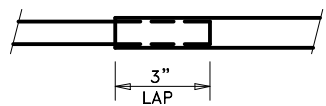
CONNECTION PLATES			
FRAME LINE 1			
ID	QUAN	MARK/PART	
2	2	C-104	
3	6	C-5	



ENDWALL FRAMING: FRAME LINE 1



ENDWALL SHEETING & TRIM: FRAME LINE 1
PANELS: 26 Ga. PBR - Ash Gray



ALL TRIM LAPS ARE TO BE 3" LONG

NOTE: If Trim Lap Is More Than 3" Long, The Trim May Not Cover The Required Coverage Length.

APPROVAL DRAWINGS

APPROVED AS DRAWN
 APPROVED AS NOTED
 NOT APPROVED

____ INITIAL

Please Check And Approve All Dimensions And Conditions. STANDARD STRUCTURES Must Be Notified Of Any Changes.

SSI STANDARD STRUCTURES INC.
 MANUFACTURER OF METAL BUILDINGS & COMPONENTS
 P.O. BOX 1912
 ODESSA, TX. 79760
 1-800-240-0335

IAS
 ACCREDITED™
 Metal Building Systems
 AC 472

APPROVAL & PERMIT

JOB NAME: NC Sturgeon
 PROJECT NAME: Midland Shooters
 JOB LOCATION: Midland, TX 79706
 DRAWING TITLE: **ENDWALL DRAWING**
 DATE: 4/ 1/25 DET: JOB NO.: 25028 PG.: E-7

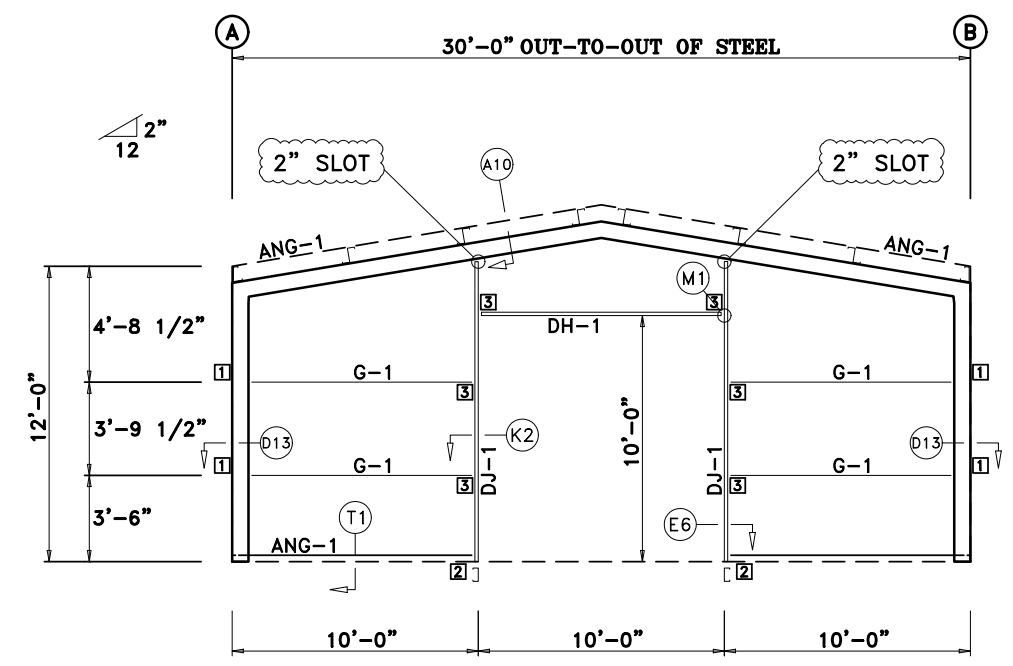
For jamb to rafter connection; provide 3/8" thick knife plate with 2" slots and (2) 1/2" dia. A325 bolts located in the center of the slots. Provide hardened washers and double nuts.

TRIM TABLE				
FRAME LINE 4				
ID	QUAN	PART	LENGTH	DETAIL
1	2	BASETRIM	10'-3"	
2	2	RAKER243	15'-9"	TRIM #3
3	1	PEAKBX-R	1'-2"	TRIM #15
4	2	JMBTR243	10'-2"	TRIM #6
5	1	HEADR243	10'-4"	TRIM #8

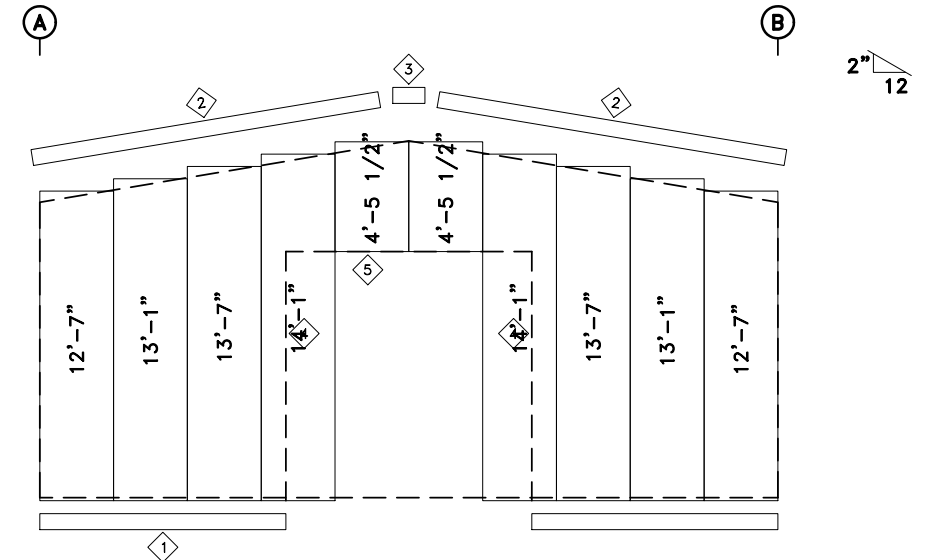
BOLT TABLE				
FRAME LINE 4				
LOCATION	QUAN	TYPE	DIA	LENGTH
Jamb	6	A325	5/8"	1 1/2"

MEMBER TABLE				
FRAME LINE 4				
QUAN	MARK	PART	LENGTH	
2	DJ-1	8x35C16	12'-2 5/8"	
1	DH-1	8x35C16	10'-0"	
4	G-1	8x25Z16	8'-11 7/8"	

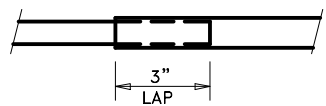
CONNECTION PLATES			
FRAME LINE 1			
ID	QUAN	MARK/PART	
2	2	C-104	
3	6	C-5	



ENDWALL FRAMING: FRAME LINE 4



ENDWALL SHEETING & TRIM: FRAME LINE 4
PANELS: 26 Ga. PBR - Ash Gray



ALL TRIM LAPS ARE TO BE 3" LONG

NOTE: If Trim Lap Is More Than 3" Long, The Trim May Not Cover The Required Coverage Length.

APPROVAL DRAWINGS

- APPROVED AS DRAWN
- APPROVED AS NOTED
- NOT APPROVED

____ INITIAL

Please Check And Approve All Dimensions And Conditions. STANDARD STRUCTURES Must Be Notified Of Any Changes.

SSI STANDARD STRUCTURES INC.
MANUFACTURER OF METAL BUILDINGS & COMPONENTS
P.O. BOX 1912
ODESSA, TX. 79760
1-800-240-0335

IAS
ACCREDITED™
Metal Building Systems
AC 472

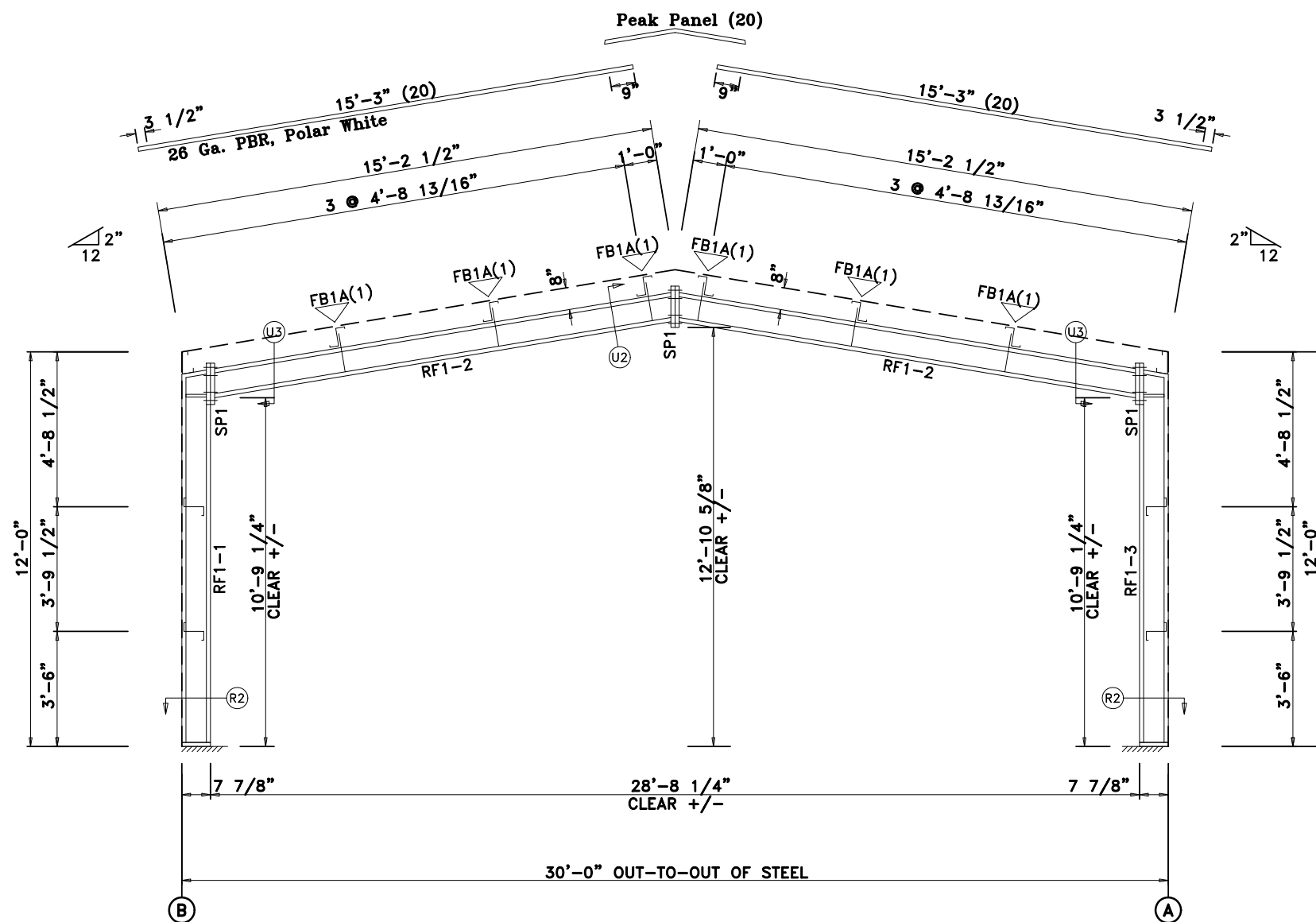
APPROVAL & PERMIT

JOB NAME: NC Sturgeon
PROJECT NAME: Midland Shooters
JOB LOCATION: Midland, TX 79706
DRAWING TITLE: *ENDWALL DRAWING*
DATE: 4/ 1/25 DET: JOB NO.: 25028 PG.: E-8

SPLICE PLATE & BOLT TABLE									
Mark	Qty		Int	Type	Dia	Length	Width	Thick	Length
	Top	Bot							
SP1	4	4	0	A325	5/8"	1 3/4"	6"	3/8"	1'-2 1/2"

MEMBER SIZE TABLE		
MARK	MEMBER	LENGTH
RF1-1	W8X10	11'-3 7/8"
RF1-2	W8X10	14'-6 5/16"
RF1-3	W8X10	11'-3 7/8"

▽ FLANGE BRACES: Both Sides(U.N.)
 FBxxA(1)
 A - F2X2X14g



RIGID FRAME SECTION: FRAME LINE 1

APPROVAL DRAWINGS

- APPROVED AS DRAWN
- APPROVED AS NOTED
- NOT APPROVED

____ INITIAL

Please Check And Approve All Dimensions
 And Conditions. STANDARD STRUCTURES
 Must Be Notified Of Any Changes.

SSI STANDARD STRUCTURES INC.
 MANUFACTURER OF METAL BUILDINGS & COMPONENTS

P.O. BOX 1912
 ODESSA, TX. 79760
 1-800-240-0335



ACCREDITED™
 Metal Building Systems
 AC 472

APPROVAL & PERMIT

JOB NAME: NC Sturgeon
 PROJECT NAME: Midland Shooters

JOB LOCATION: Midland, TX 79706

DRAWING TITLE: RIGID FRAME SECTION

DATE: 4/ 3/25

DET:

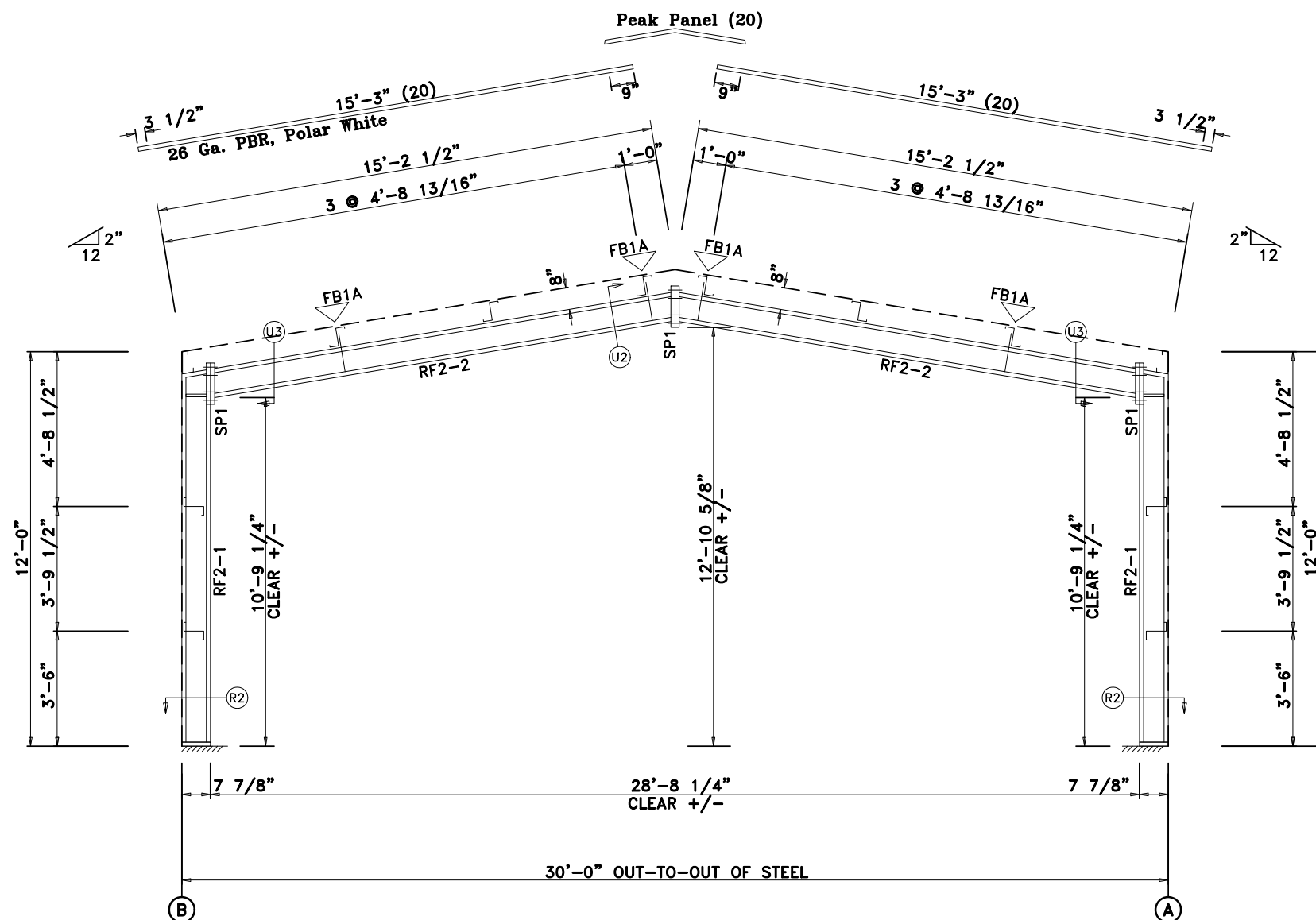
JOB NO.: 25028

PG.: E-9

SPLICE PLATE & BOLT TABLE									
Mark	Qty		Int	Type	Dia	Length	Width	Thick	Length
	Top	Bot							
SP1	4	4	0	A325	5/8"	1 3/4"	6"	3/8"	1'-2 1/2"

MEMBER SIZE TABLE		
MARK	MEMBER	LENGTH
RF2-1	W8X10	11'-3 7/8"
RF2-2	W8X10	14'-6 5/16"

▽ FLANGE BRACES: Both Sides(U.N.)
 FBxxA(1)
 A - F2X2X14g



RIGID FRAME SECTION: FRAME LINE 2 3

APPROVAL DRAWINGS

- APPROVED AS DRAWN
- APPROVED AS NOTED
- NOT APPROVED

____ INITIAL

Please Check And Approve All Dimensions
 And Conditions. STANDARD STRUCTURES
 Must Be Notified Of Any Changes.

SSI STANDARD STRUCTURES INC.
 MANUFACTURER OF METAL BUILDINGS & COMPONENTS

P.O. BOX 1912
 ODESSA, TX. 79760
 1-800-240-0335



ACCREDITED™
 Metal Building Systems
 AC 472

APPROVAL & PERMIT

JOB NAME: NC Sturgeon
 PROJECT NAME: Midland Shooters

JOB LOCATION: Midland, TX 79706

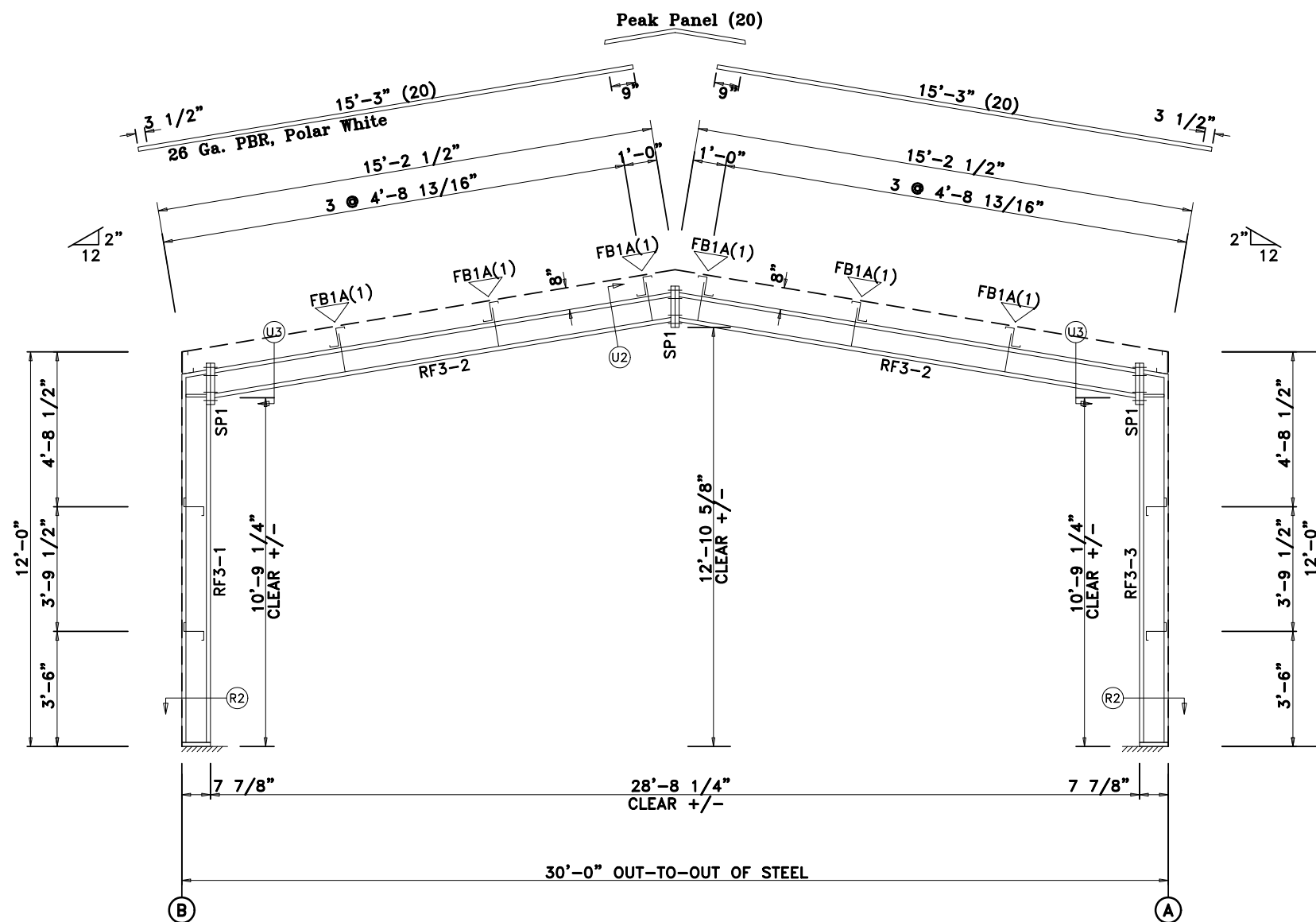
DRAWING TITLE: RIGID FRAME SECTION

DATE: 4/ 3/25 DET: JOB NO.: 25028 PG.: E-10

SPLICE PLATE & BOLT TABLE									
Mark	Qty		Int	Type	Dia	Length	Width	Thick	Length
	Top	Bot							
SP1	4	4	0	A325	5/8"	1 3/4"	6"	3/8"	1'-2 1/2"

MEMBER SIZE TABLE		
MARK	MEMBER	LENGTH
RF3-1	W8X10	11'-3 7/8"
RF3-2	W8X10	14'-6 5/16"
RF3-3	W8X10	11'-3 7/8"

▽ FLANGE BRACES: Both Sides(U.N.)
 FBxxA(1)
 A - F2X2X14g



RIGID FRAME SECTION: FRAME LINE 4

APPROVAL DRAWINGS

- APPROVED AS DRAWN
- APPROVED AS NOTED
- NOT APPROVED

____ INITIAL

Please Check And Approve All Dimensions
 And Conditions. STANDARD STRUCTURES
 Must Be Notified Of Any Changes.

SSI STANDARD STRUCTURES INC.
 MANUFACTURER OF METAL BUILDINGS & COMPONENTS

P.O. BOX 1912
 ODESSA, TX. 79760
 1-800-240-0335



ACCREDITED™
 Metal Building Systems
 AC 472

APPROVAL & PERMIT

JOB NAME: NC Sturgeon
 PROJECT NAME: Midland Shooters

JOB LOCATION: Midland, TX 79706

DRAWING TITLE: RIGID FRAME SECTION

DATE: 4/ 3/25

DET:

JOB NO.: 25028

PG.: E-11