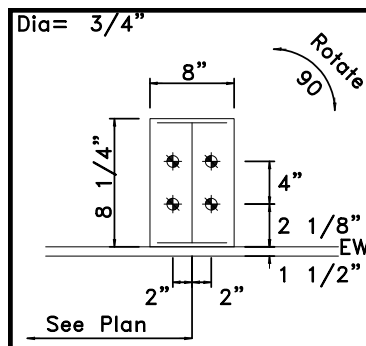
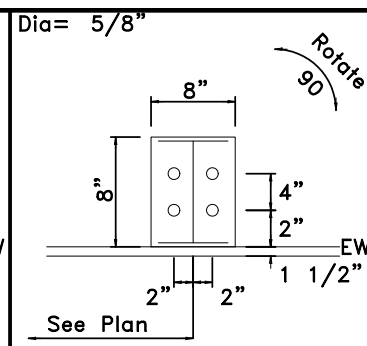


Standard Structures, Inc.

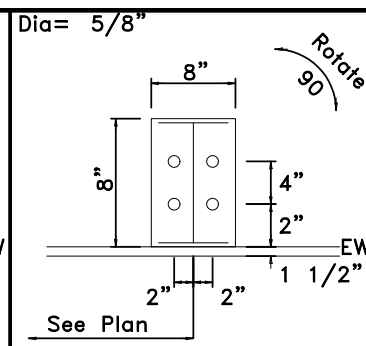
Job# 25046
Final Design



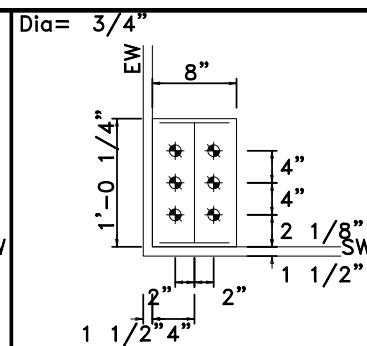
DETAIL A



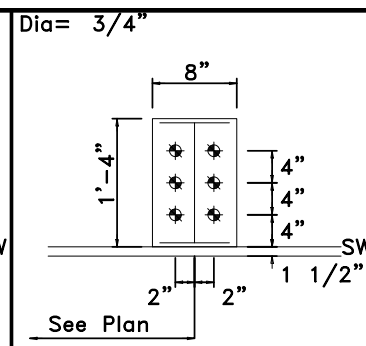
DETAIL B



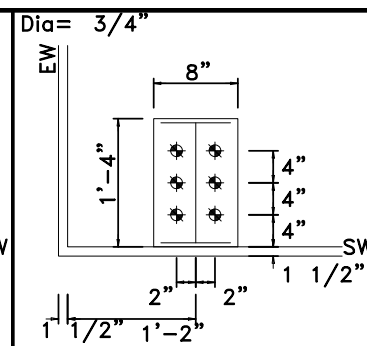
DETAIL C



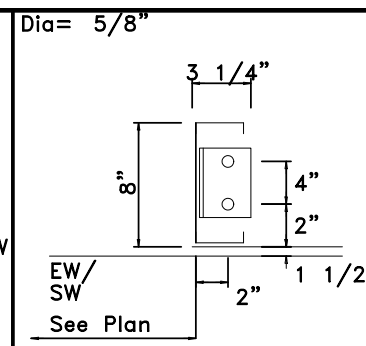
DETAIL D



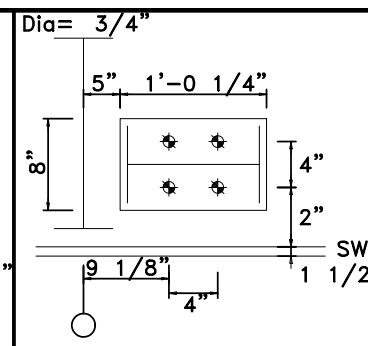
DETAIL E



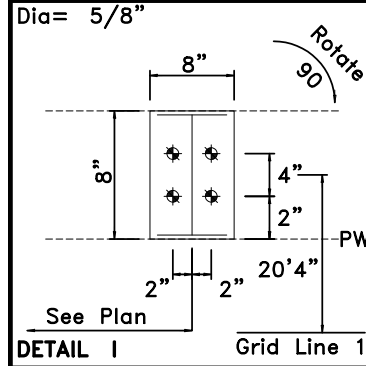
DETAIL F



DETAIL G



DETAIL H



DETAIL I

Grid Line 1

APPROVAL DRAWINGS

- APPROVED AS DRAWN
- APPROVED AS NOTED
- NOT APPROVED

____ INITIAL

Please Check And Approve All Dimensions
And Conditions. STANDARD STRUCTURES
Must Be Notified Of Any Changes.

SSI STANDARD STRUCTURES INC.
MANUFACTURER OF METAL BUILDINGS & COMPONENTS

P.O. BOX 1912
ODESSA, TX. 79760
1-800-240-0335



ACCREDITED™
Metal Building Systems
AC 472

APPROVAL & PERMIT

JOB NAME: JWS

PROJECT NAME: JWS

JOB LOCATION: Odessa, TX 79763

DRAWING TITLE: ANCHOR BOLT DETAILS

DATE: 6/30/25

DET:

JOB NO.: 25046

PG.: E-2

NOTES FOR REACTIONS

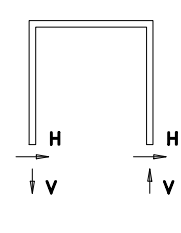
Building reactions are based on the following building data:

Width	(ft)	=	60.0
Length	(ft)	=	160.0
Eave Height	(ft)	=	28.0
Roof Slope	(rise/12)	=	1.00 / 12.00
Roof Dead Load	(psf)	=	2.0
Roof Live Load	(psf)	=	20.0
Frame Live Load	(psf)	=	12.0
Collateral Load	(psf)	=	1.0
Snow Load	(psf)	=	3.5
Minimum Snow	(psf)	=	5.0
Wind Speed	(mph)	=	115.0
Wind Code		=	IBC 2018
Exposure		=	C
Closure		=	Enclosed
Internal Wind Coeff		=	-0.18, +0.18
Risk Category		=	II - Normal
Importance - Seismic		=	1.00
Seismic Design Category		=	B
Seismic Coeff (Sms)		=	0.24

BUILDING BRACING REACTIONS

Wall Loc	Line	Col Line	± Reactions(k)			
			0.6Wind		Seismic	
			Horz	Vert	Horz	Vert
L_EW	1		Rigid frame at endwall			
F_SW	A	4,5	0.0	1.1	0.0	0.8
		6,7	0.0	1.1	0.0	0.8
R_EW	9		Rigid frame at endwall			
B_SW	J	7,6	0.0	1.1	0.0	0.8
		5,4	0.0	1.1	0.0	0.8

WIND BENT REACTIONS

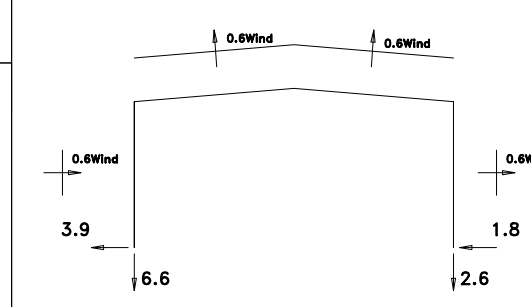
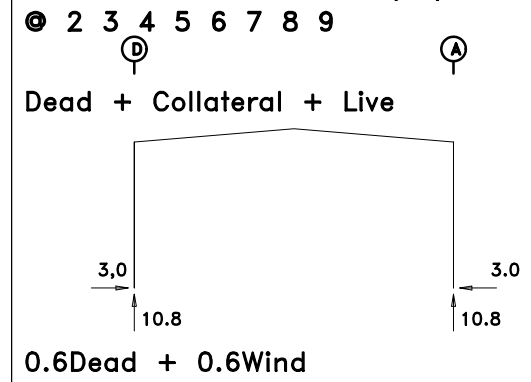


Wall Loc	Line	Col Line	± Reactions			
			Crane+0.3Wind(k)		Seismic(k)	
			Horz	Vert	Horz	Vert
F_SW	A	4	2.0	3.8	0.8	1.4
F_SW	A	5	2.0	3.8	0.8	1.4
F_SW	A	6	2.0	3.8	0.8	1.4
F_SW	A	7	2.0	3.8	0.8	1.4
B_SW	J	7	2.0	3.8	0.8	1.4
B_SW	J	6	2.0	3.8	0.8	1.4
B_SW	J	5	2.0	3.8	0.8	1.4
B_SW	J	4	2.0	3.8	0.8	1.4

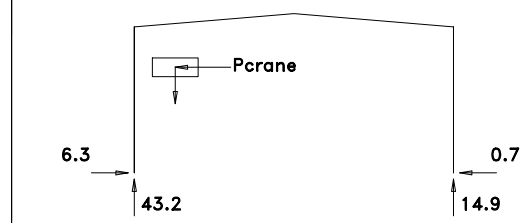
PARTITION WALL COLUMN MAXIMUM REACTION

Part Id	Orient	--Max(k)--	
		Dead	0.6Wind
Vert	Horz		
1	Trans.	0.3	0.6

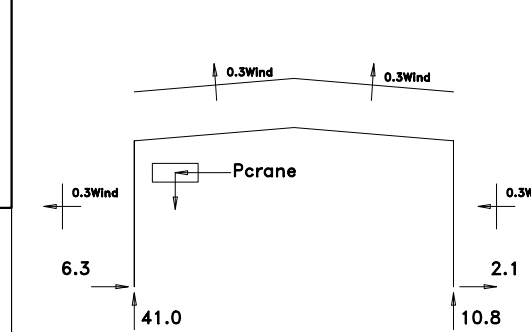
RIGID FRAME REACTIONS (k)



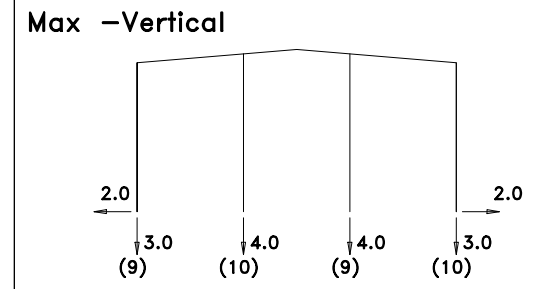
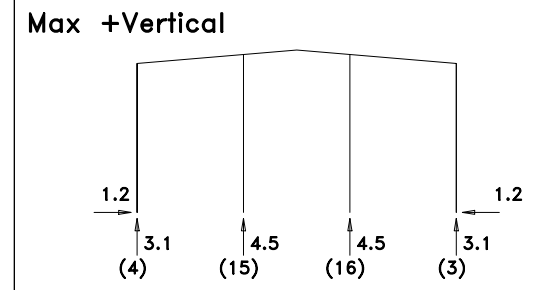
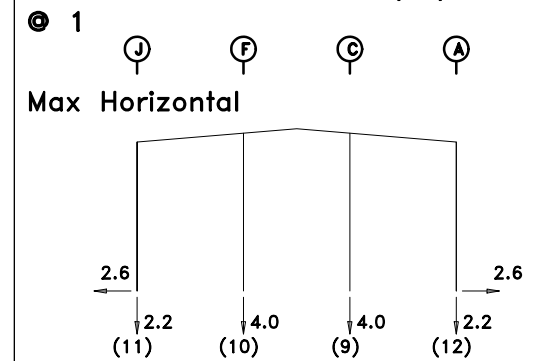
Dead+Collateral+0.75Snow+Crane



Dead+Collateral+0.3Wind+Crane



RIGID FRAME REACTIONS (k)



- (3) Dead+Collateral+0.75Live+0.45Wind_Left2
- (4) Dead+Collateral+0.75Live+0.45Wind_Right2
- (9) 0.6Dead+0.6Wind_Left1
- (10) 0.6Dead+0.6Wind_Right1
- (11) 0.6Dead+0.6Wind_Left2
- (12) 0.6Dead+0.6Wind_Right2
- (15) Dead+Collateral+F1PAT_LL_1
- (16) Dead+Collateral+F1PAT_LL_2

APPROVAL DRAWINGS

- APPROVED AS DRAWN
- APPROVED AS NOTED
- NOT APPROVED

____ INITIAL

Please Check And Approve All Dimensions And Conditions. STANDARD STRUCTURES Must Be Notified Of Any Changes.

SSI STANDARD STRUCTURES INC.
MANUFACTURER OF METAL BUILDINGS & COMPONENTS

P.O. BOX 1912
ODESSA, TX. 79760
1-800-240-0335



ACCREDITED™
Metal Building Systems
AC 472

APPROVAL & PERMIT

JOB NAME: JWS

PROJECT NAME: JWS

JOB LOCATION: Odessa, TX 79763

DRAWING TITLE: ANCHOR BOLT REACTIONS

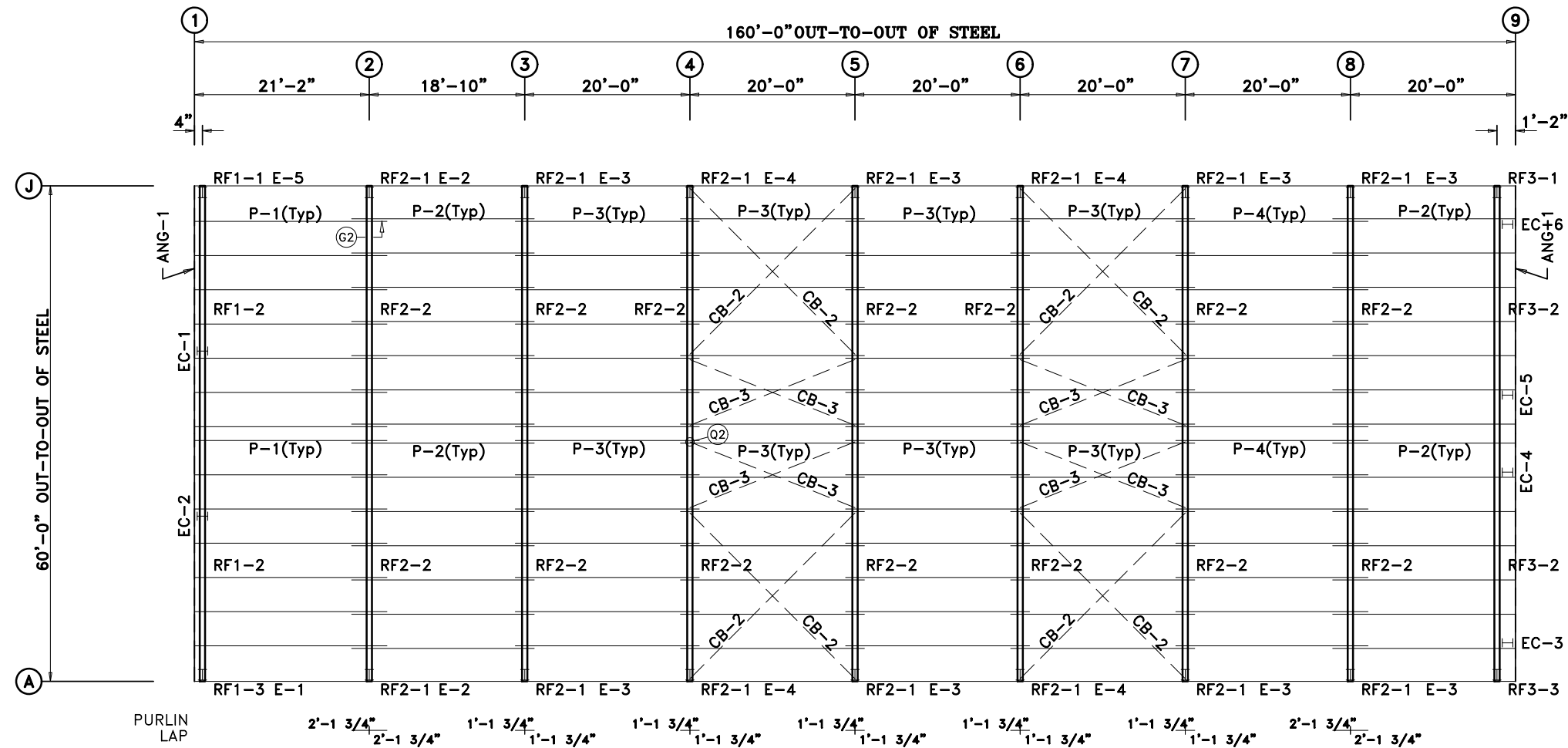
DATE: 6/30/25

DET:

JOB NO.: 25046

PG.: E-3

MEMBER TABLE			
ROOF PLAN			
QUAN	MARK	PART	LENGTH
14	P-1	8x25Z14	23'-3 1/2"
28	P-2	8x25Z16	22'-1 1/2"
56	P-3	8x25Z16	22'-3 1/2"
14	P-4	8x25Z16	23'-3 1/2"
1	E-1	8LEDS14	21'-1 1/2"
2	E-2	8LEDS14	18'-9 1/2"
8	E-3	8LEDS14	19'-11 1/2"
4	E-4	8LEDS14	19'-11 1/2"
1	E-5	8LEDS14	21'-1 1/2"
8	CB-2	1/2_CBL	26'-1"
8	CB-3	1/2_CBL	29'-3"



ROOF FRAMING PLAN

APPROVAL DRAWINGS

- APPROVED AS DRAWN
- APPROVED AS NOTED
- NOT APPROVED

____ INITIAL

Please Check And Approve All Dimensions
And Conditions. STANDARD STRUCTURES
Must Be Notified Of Any Changes.

SSI STANDARD STRUCTURES INC.
MANUFACTURER OF METAL BUILDINGS & COMPONENTS

P.O. BOX 1912
ODESSA, TX. 79760
1-800-240-0335



ACCREDITED™
Metal Building Systems
AC 472

APPROVAL & PERMIT

JOB NAME: JWS

PROJECT NAME: JWS

JOB LOCATION: Odessa, TX 79763

DRAWING TITLE: *ROOF FRAMING PLAN*

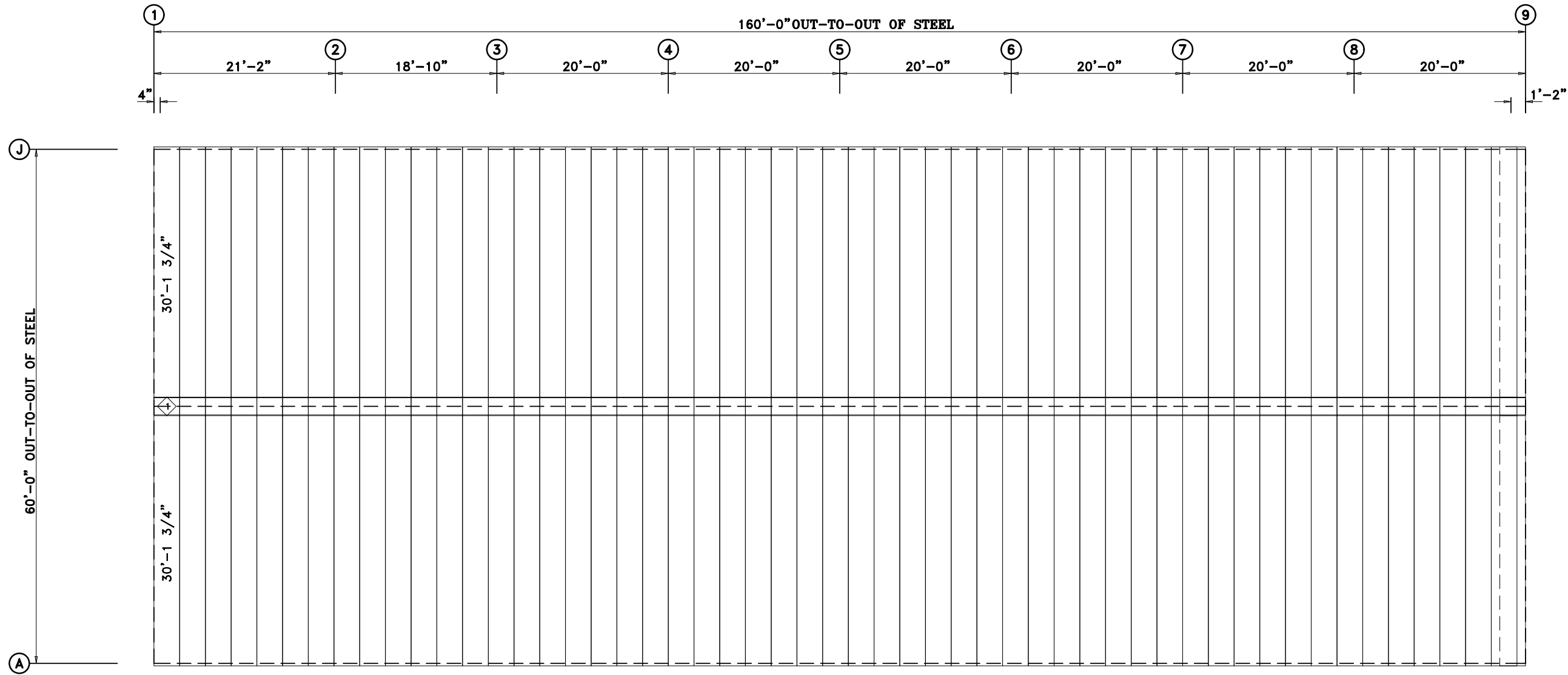
DATE: 7/ 1/25

DET:

JOB NO.: 25046

PG.: E-4

TRIM TABLE				
ROOF PLAN				
◇ID	QUAN	PART	LENGTH	DETAIL
1	54	PEAK 26R	3'-0"	TRIM #1



ROOF SHEETING PLAN
PANELS: 26 Ga. PBR - Galvalume Plus

APPROVAL DRAWINGS	
<input type="checkbox"/>	APPROVED AS DRAWN
<input type="checkbox"/>	APPROVED AS NOTED
<input type="checkbox"/>	NOT APPROVED
____ INITIAL	
Please Check And Approve All Dimensions And Conditions. <u>STANDARD STRUCTURES</u> Must Be Notified Of Any Changes.	



SSI STANDARD STRUCTURES INC.
 MANUFACTURER OF METAL BUILDINGS & COMPONENTS
 P.O. BOX 1912
 ODESSA, TX. 79760
 1-800-240-0335

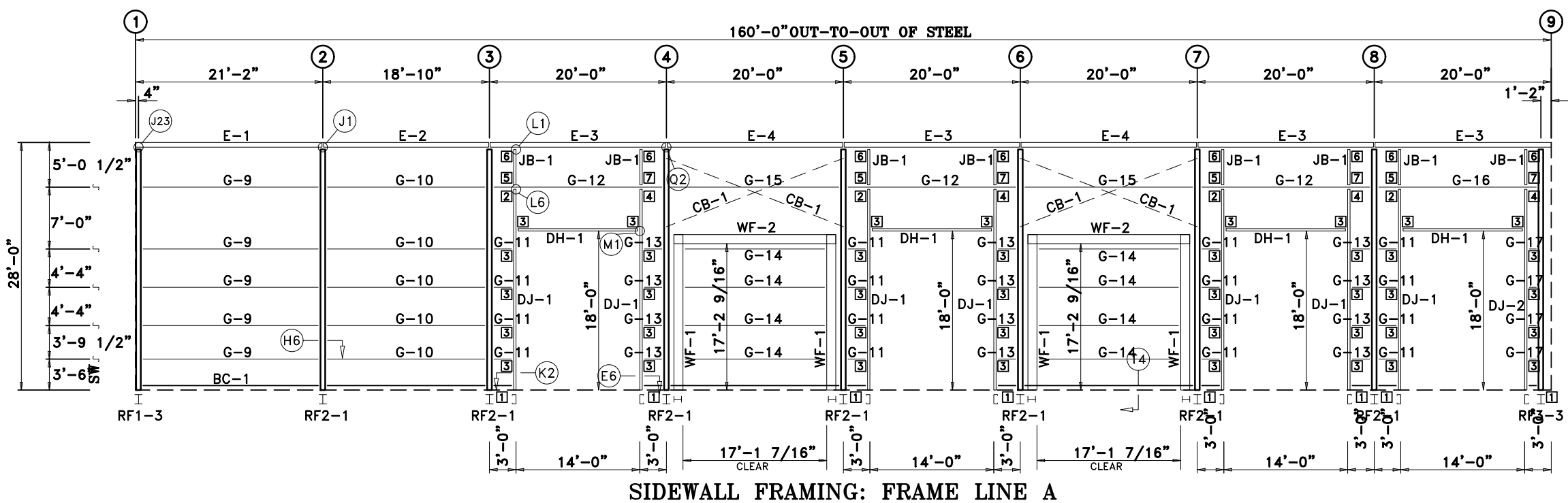
IAS
 ACCREDITED™
 Metal Building Systems
 AC 472

APPROVAL & PERMIT

JOB NAME: JWS
PROJECT NAME: JWS
JOB LOCATION: Odessa, TX 79763
DRAWING TITLE: <i>ROOF FRAMING PLAN</i>
DATE: 6/30/25
DET:
JOB NO.: 25046
PG.: E-5

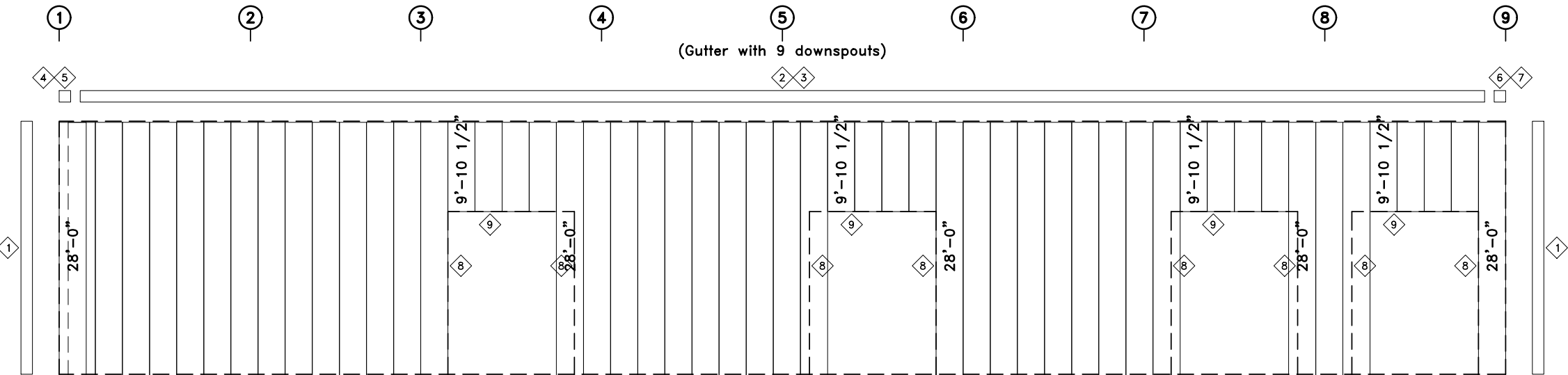
ALL TRIM LAPS ARE TO BE 3" LONG

NOTE: If Trim Lap Is More Than 3" Long, The Trim May Not Cover The Required Coverage Length.



SIDEWALL FRAMING: FRAME LINE A

(Gutter with 9 downspouts)



SIDEWALL SHEETING & TRIM: FRAME LINE A

PANELS: 26 Ga. PBR - Ash Gray

TRIM TABLE				
FRAME LINE A				
ID	QUAN	PART	LENGTH	DETAIL
1	4	CRNTR243	14'-2"	TRIM #2
2	7	GUTT243	23'-1"	TRIM #5
3	16	BACKSPLS	10'-3"	
4	1	SGUTENDL	6"	
5	1	SCRNBX-L	6"	TRIM #16
6	1	SGUTENDR	6"	TRIM #16
7	1	SCRNBX-R	6"	TRIM #16
8	8	JMBTR243	18'-2"	TRIM #6
9	4	HEADR243	14'-4"	TRIM #8

BOLT TABLE				
FRAME LINE A				
LOCATION	QUAN	TYPE	DIA	LENGTH
WF-1 - WF-2	8	A325	3/4"	2"
WF-1 - RF2-1	4	A325	3/4"	1 1/2"

MEMBER TABLE				
FRAME LINE A				
QUAN	MARK	PART	LENGTH	
4	WF-1	W12X26	18'-2 13/16"	
2	WF-2	W12X26	17'-1 3/16"	
7	DJ-1	8x35C13	22'-7 3/4"	
1	DJ-2	8x35C12	22'-7 3/4"	
4	DH-1	8x35C16	14'-0"	
1	E-1	8LEDS14	21'-1 1/2"	
1	E-2	8LEDS14	18'-9 1/2"	
4	E-3	8LEDS14	19'-11 1/2"	
2	E-4	8LEDS14	19'-11 1/2"	
5	G-9	8x25Z13	20'-2 1/4"	
5	G-10	8x25Z14	18'-1 1/2"	
16	G-11	8x25Z16	2'-4"	
3	G-12	8x70D16	19'-3 1/2"	
12	G-13	8x25Z16	2'-4"	
8	G-14	8x25Z14	17'-0 7/16"	
2	G-15	8x25Z14	19'-3 1/2"	
1	G-16	8x70D16	18'-1 1/2"	
4	G-17	8x25Z16	1'-2"	
4	CB-1	0.75_ROD	22'-7"	
8	JB-1	8x35C16	4'-0 1/2"	

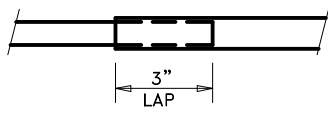
CONNECTION PLATES			
FRAME LINE A			
ID	QUAN	MARK/PART	
1	8	C-104	
2	4	j1	
3	40	C-5	
4	4	j2	
5	4	f2	
6	8	C-11-8	
7	4	f3	

APPROVAL DRAWINGS

- APPROVED AS DRAWN
- APPROVED AS NOTED
- NOT APPROVED

____ INITIAL

Please Check And Approve All Dimensions And Conditions. STANDARD STRUCTURES Must Be Notified Of Any Changes.



ALL TRIM LAPS ARE TO BE 3" LONG

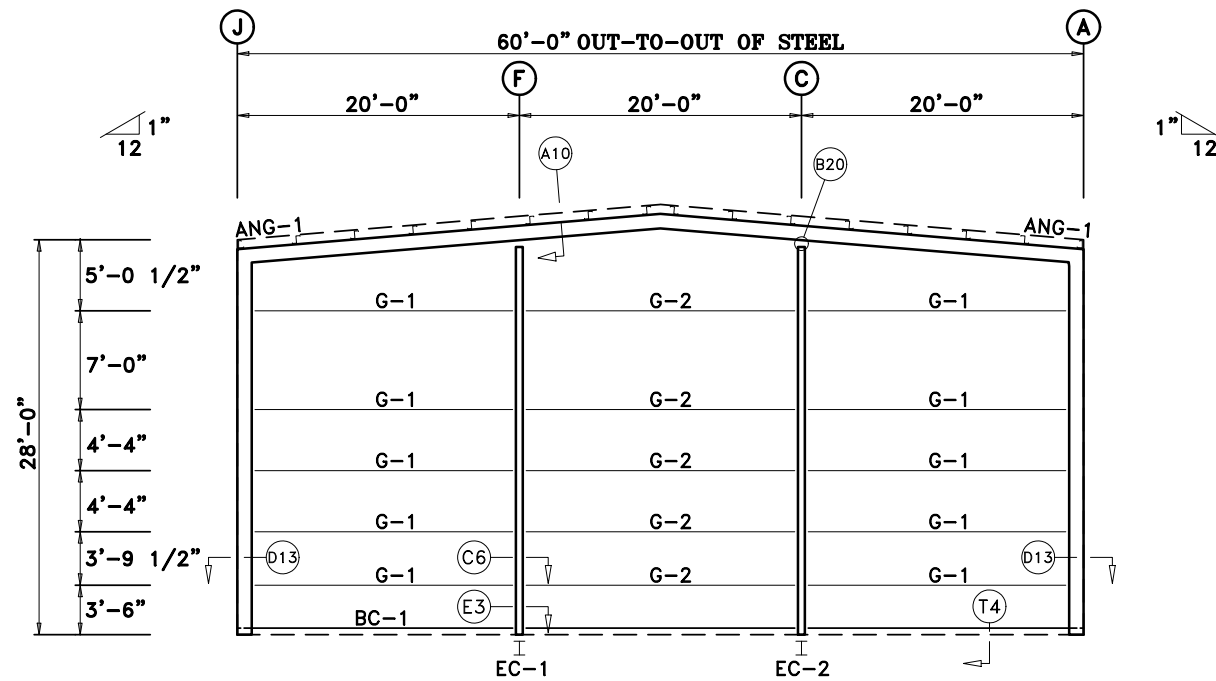
NOTE: If Trim Lap Is More Than 3" Long, The Trim May Not Cover The Required Coverage Length.

SSI STANDARD STRUCTURES INC.
 MANUFACTURER OF METAL BUILDINGS & COMPONENTS
 P.O. BOX 1912
 ODESSA, TX. 79760
 1-800-240-0335

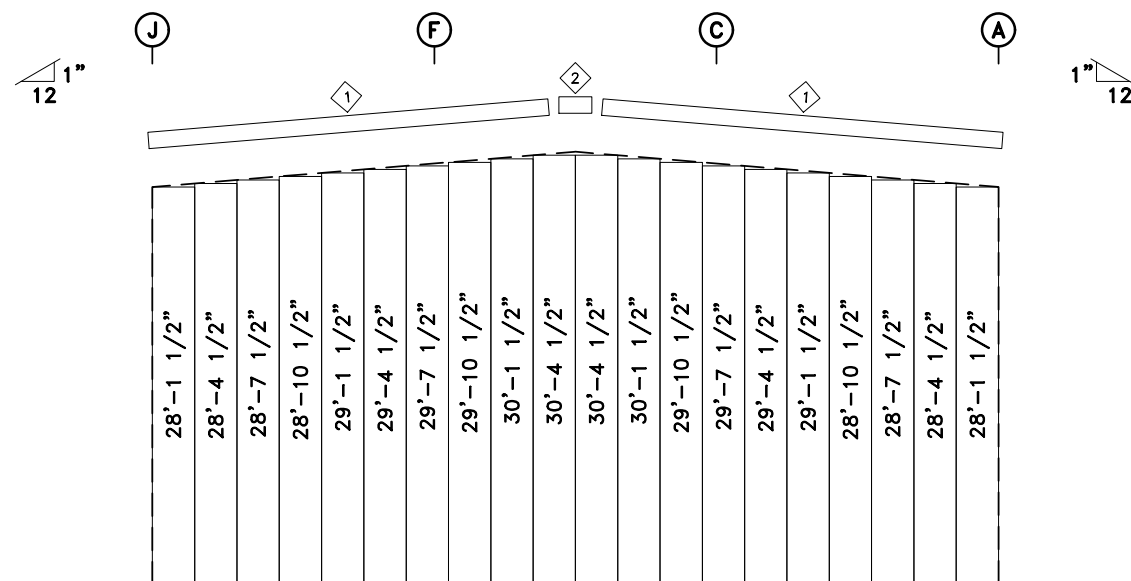
IAS
 ACCREDITED™
 Metal Building Systems
 AC 472

APPROVAL & PERMIT

JOB NAME: JWS
PROJECT NAME: JWS
JOB LOCATION: Odessa, TX 79763
DRAWING TITLE: <i>SIDEWALL DRAWING</i>
DATE: 7/ 1/25
DET:
JOB NO.: 25046
PG.: E-6



ENDWALL FRAMING: FRAME LINE 1



ENDWALL SHEETING & TRIM: FRAME LINE 1

PANELS: 26 Ga. PBR - Ash Gray

TRIM TABLE				
FRAME LINE 1				
ID	QUAN	PART	LENGTH	DETAIL
1	4	RAKER243	15'-6"	TRIM #3
2	1	PEAKBX-R	1'-2"	TRIM #15

BOLT TABLE				
FRAME LINE 1				
LOCATION	QUAN	TYPE	DIA	LENGTH
Columns/Raf	4	A325	3/4"	1 3/4"

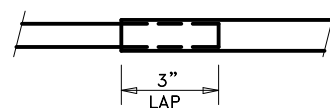
MEMBER TABLE				
FRAME LINE 1				
QUAN	MARK	PART	LENGTH	
1	EC-1	W8X18	27'-11 11/16"	
1	EC-2	W8X18	27'-11 11/16"	
10	G-1	8x25Z14	18'-8 3/8"	
5	G-2	8x25Z13	19'-6 1/4"	

APPROVAL DRAWINGS

- APPROVED AS DRAWN
- APPROVED AS NOTED
- NOT APPROVED

____ INITIAL

Please Check And Approve All Dimensions
And Conditions. STANDARD STRUCTURES
Must Be Notified Of Any Changes.



ALL TRIM LAPS ARE TO BE 3" LONG

NOTE: If Trim Lap Is More Than 3" Long, The Trim May Not Cover The Required Coverage Length.

SSI STANDARD STRUCTURES INC.
MANUFACTURER OF METAL BUILDINGS & COMPONENTS
P.O. BOX 1912
ODESSA, TX. 79760
1-800-240-0335

IAS
ACCREDITED™
Metal Building Systems
AC 472

APPROVAL & PERMIT

JOB NAME: JWS
PROJECT NAME: JWS

JOB LOCATION: Odessa, TX 79763

DRAWING TITLE: *ENDWALL DRAWING*

DATE: 6/30/25

DET:

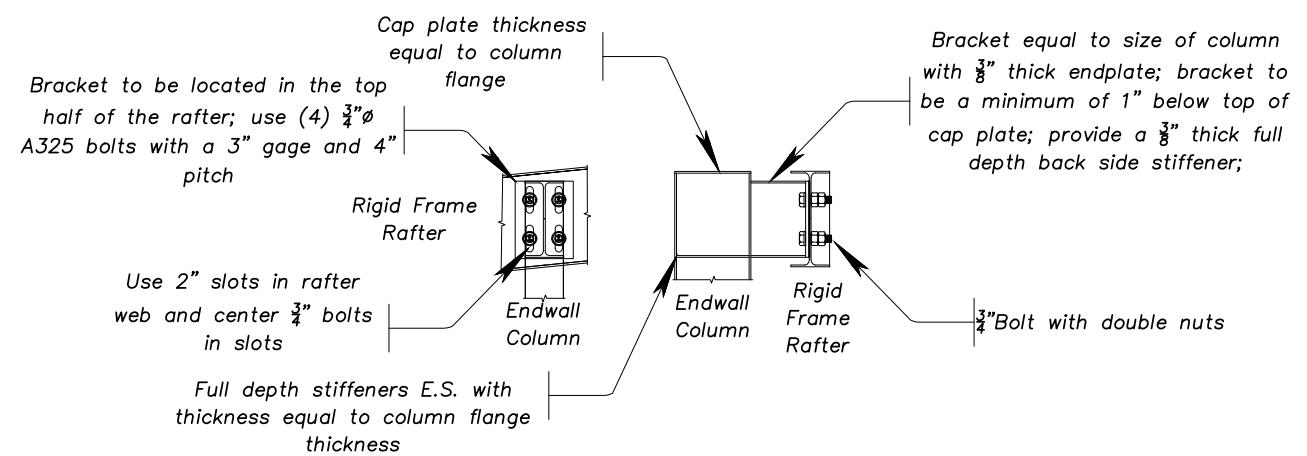
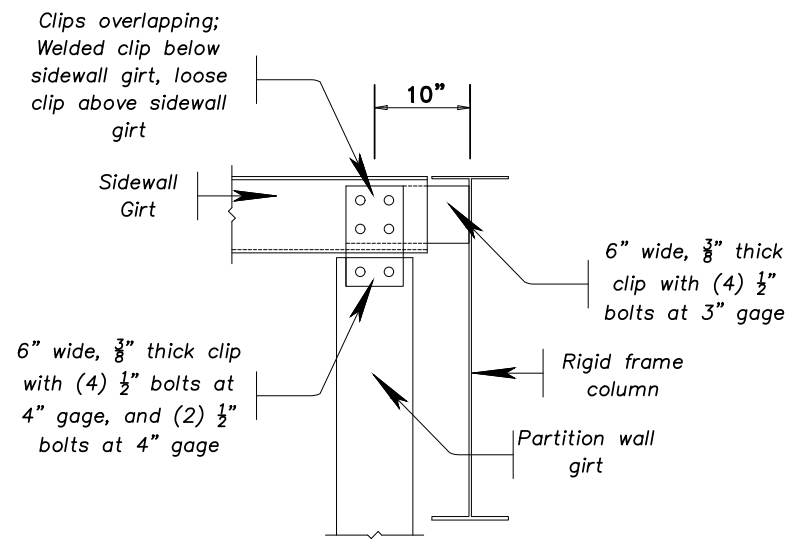
JOB NO.: 25046

PG.: E-8

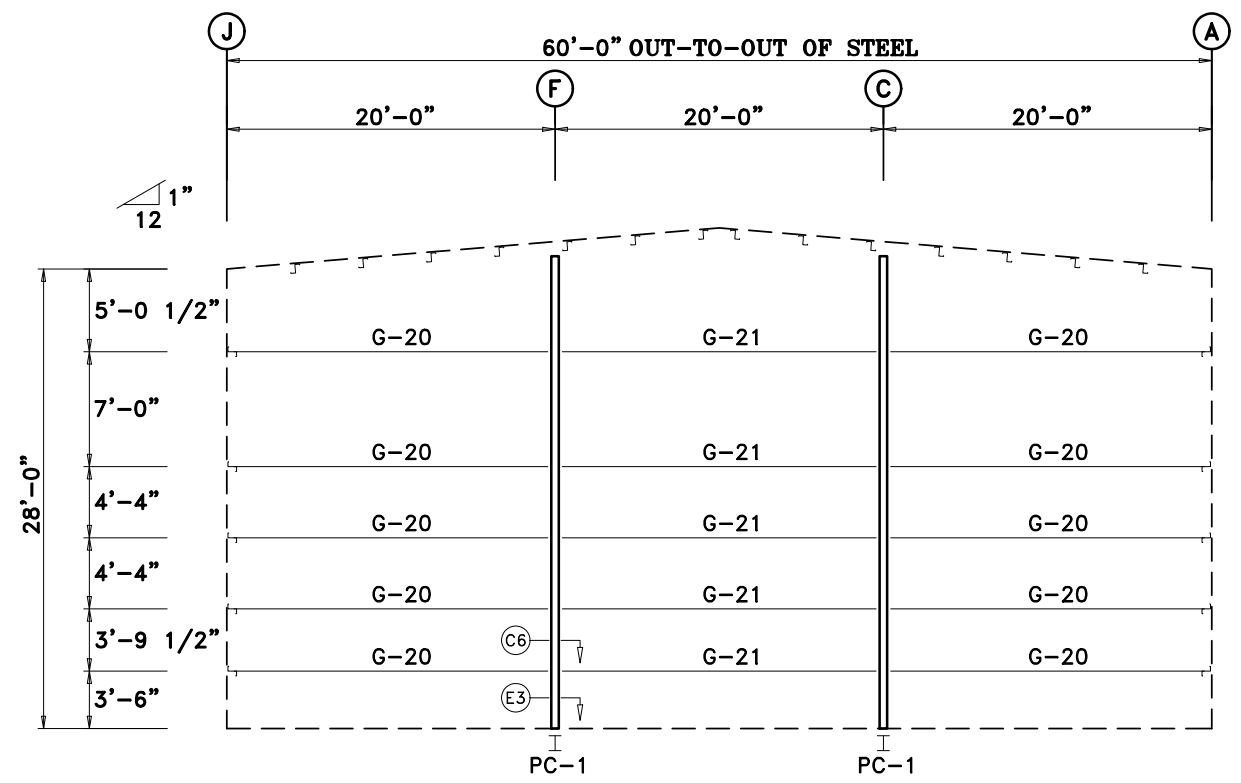
TRIM TABLE				
PARTITION 1				
ID	QUAN	PART	LENGTH	DETAIL
1	2	PTM	14'-2"	TRIM_97
2	7	PART-8	5'-6"	TRIM_42

MEMBER TABLE				
PARTITION 1				
QUAN	MARK	PART	LENGTH	
2	PC-1	W8X10	26'-4 5/8"	
10	G-20	8x25Z16	19'-9 1/2"	
5	G-21	8x25Z16	19'-7 1/2"	

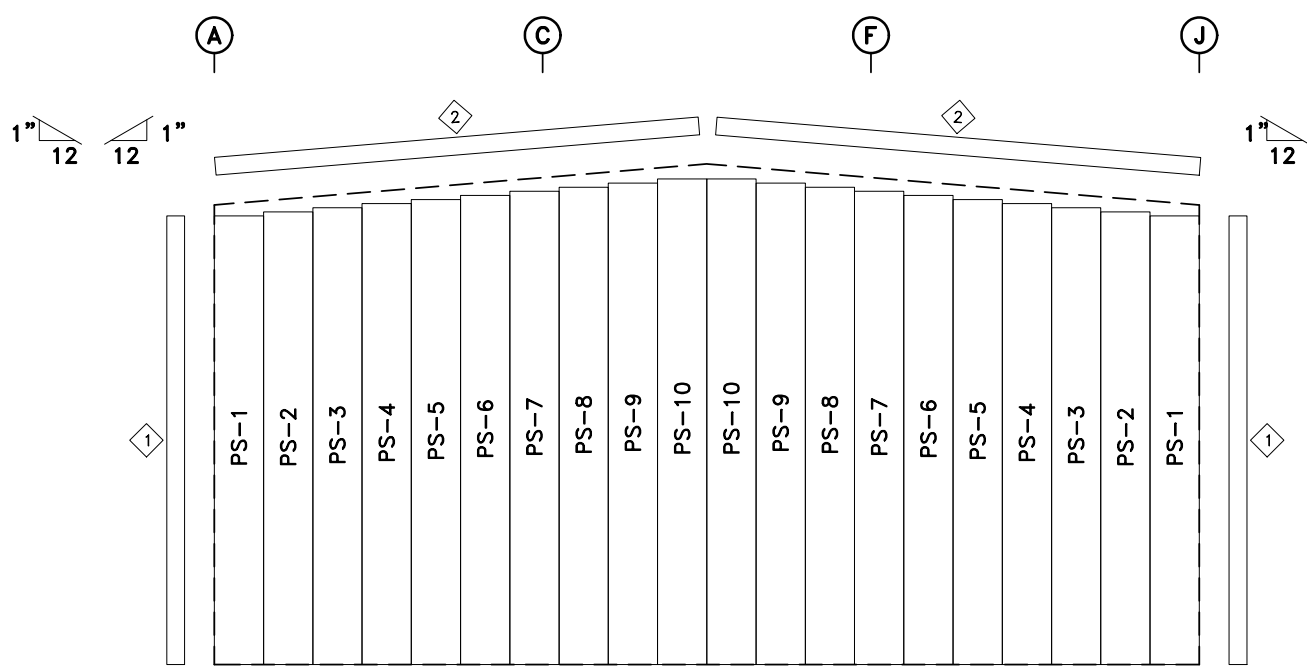
PANEL TABLE		
PARTITION 1		
MARK	LENGTH	
PS-1	27'-4"	
PS-2	27'-7"	
PS-3	27'-10"	
PS-4	28'-1"	
PS-5	28'-4"	
PS-6	28'-7"	
PS-7	28'-10"	
PS-8	29'-1"	
PS-9	29'-4"	
PS-10	29'-7"	



Partition Column Connection Detail On Frame Line #2



PARTITION 1 FRAMING - GRID LINE 2
(This wall is sheeted on the far side)



PARTITION 1 RIGHT SHEETING & TRIM
PANELS: 26 Ga. PBM - Polar White
(This wall is sheeted on the far side)

APPROVAL DRAWINGS

- APPROVED AS DRAWN
- APPROVED AS NOTED
- NOT APPROVED

____ INITIAL

Please Check And Approve All Dimensions And Conditions. STANDARD STRUCTURES Must Be Notified Of Any Changes.

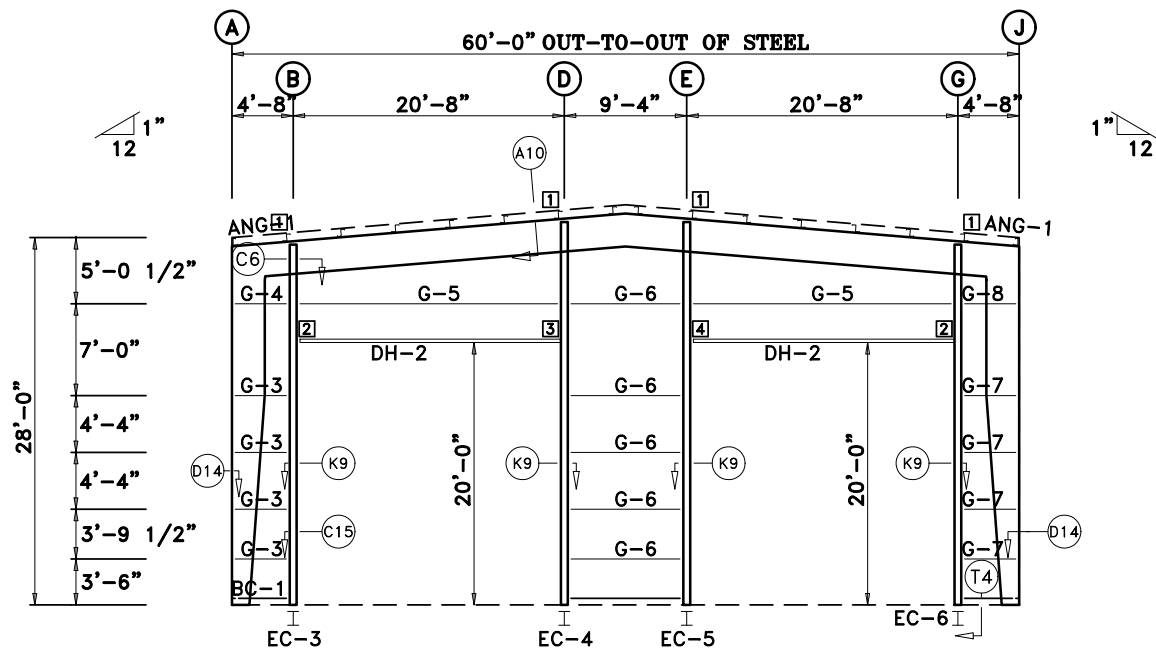
SSI STANDARD STRUCTURES INC.
MANUFACTURER OF METAL BUILDINGS & COMPONENTS

P.O. BOX 1912
ODESSA, TX. 79760
1-800-240-0335

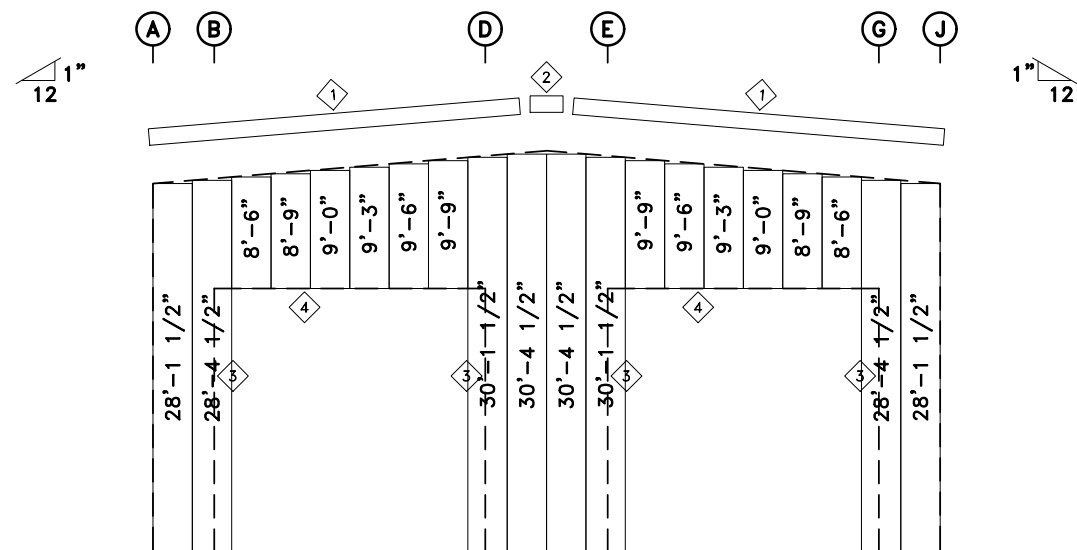
IAS
ACCREDITED™
Metal Building Systems
AC 472

APPROVAL & PERMIT

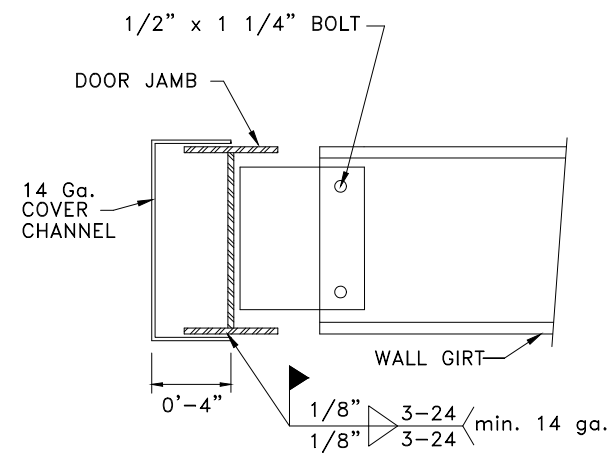
JOB NAME: JWS
PROJECT NAME: JWS
JOB LOCATION: Odessa, TX 79763
DRAWING TITLE: PARTITION FRAMING
DATE: 7/ 2/25 DET: JOB NO.: 25046 PG.: E-9



ENDWALL FRAMING: FRAME LINE 9



ENDWALL SHEETING & TRIM: FRAME LINE 9
PANELS: 26 Ga. PBR - Ash Gray

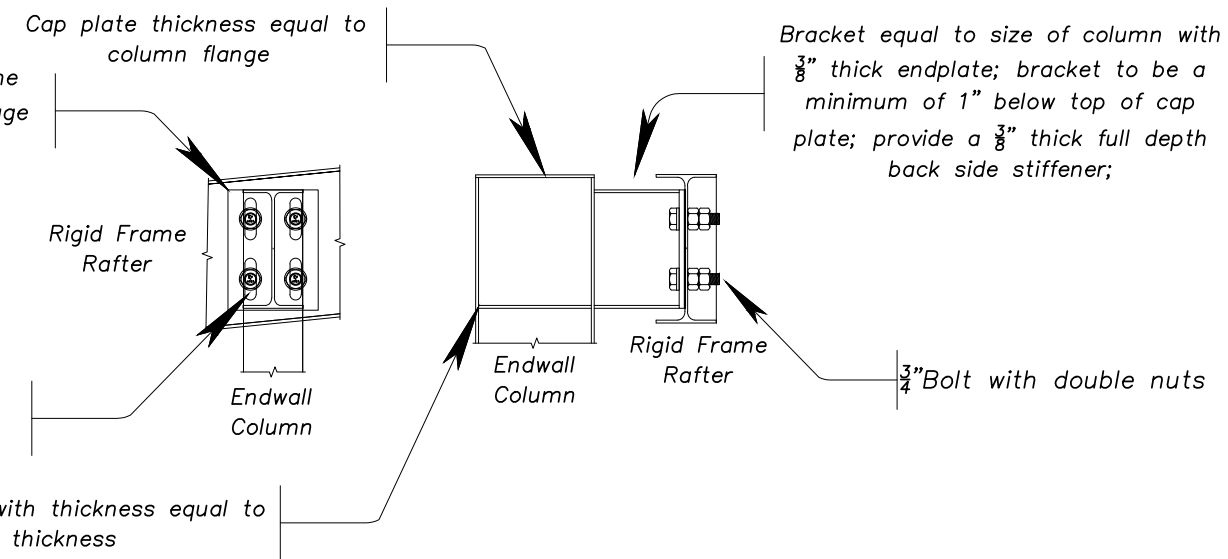


K9 OPEN FACE CEE TO EW COL

Bracket to be located in the top half of the rafter; use (4) $\frac{3}{4}$ " ϕ A325 bolts with a 3" gage and 4" pitch

Use 2" slots in rafter web and center $\frac{3}{4}$ " bolts in slots

Full depth stiffeners E.S. with thickness equal to column flange thickness



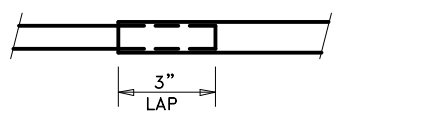
Endwall Column Connection Detail On Frame Line #9

TRIM TABLE				
FRAME LINE 9				
ID	QUAN	PART	LENGTH	DETAIL
1	4	RAKER243	15'-6"	TRIM #3
2	1	PEAKBX-R	1'-2"	TRIM #15
3	4	JMBTR243	20'-2"	TRIM #6
4	2	HEADR243	21'-0"	TRIM #8

BOLT TABLE				
FRAME LINE 9				
LOCATION	QUAN	TYPE	DIA	LENGTH
Columns/Raf	4	A325	1/2"	1 1/4"

MEMBER TABLE				
FRAME LINE 9				
QUAN	MARK	PART	LENGTH	
1	EC-3	W8X13	27'-5 5/8"	
1	EC-4	W8X15	29'-2 5/16"	
1	EC-5	W8X15	29'-2 5/16"	
1	EC-6	W8X13	27'-5 5/8"	
2	DH-2	8x35C16	20'-3 1/2"	
4	G-3	8x25Z16	4'-5 1/2"	
1	G-4	8x25Z16	4'-5 1/2"	
2	G-5	8x25Z14	20'-3 1/2"	
5	G-6	8x25Z16	8'-11 1/2"	
4	G-7	8x25Z16	4'-5 1/2"	
1	G-8	8x25Z16	4'-5 1/2"	

CONNECTION PLATES			
FRAME LINE 9			
ID	QUAN	MARK/PART	
1	4	n1	
2	2	c2	
3	1	c3	
4	1	c4	



ALL TRIM LAPS ARE TO BE 3" LONG

NOTE: If Trim Lap Is More Than 3" Long, The Trim May Not Cover The Required Coverage Length.

APPROVAL DRAWINGS

- APPROVED AS DRAWN
- APPROVED AS NOTED
- NOT APPROVED

____ INITIAL

Please Check And Approve All Dimensions And Conditions. STANDARD STRUCTURES Must Be Notified Of Any Changes.

SSI STANDARD STRUCTURES INC.
MANUFACTURER OF METAL BUILDINGS & COMPONENTS

P.O. BOX 1912
ODESSA, TX. 79760
1-800-240-0335

APPROVAL & PERMIT

JOB NAME: JWS
PROJECT NAME: JWS

JOB LOCATION: Odessa, TX 79763

DRAWING TITLE: **ENDWALL DRAWING**

DATE: 6/30/25 DET: JOB NO.: 25046 PG.: E-10



ACCREDITED™
Metal Building Systems
AC 472

SPLICE PLATE & BOLT TABLE

Mark	Qty	Top	Bot	Int	Type	Dia	Length	Width	Thick	Length
SP1	4	4	0		A325	5/8"	1 3/4"	8"	3/8"	1'-6 1/2"

CAP PLATE BOLTS

Mark	Qty	Type	Dia	Length
EC-1	4	A325	3/4"	2"
EC-2	4	A325	3/4"	2"

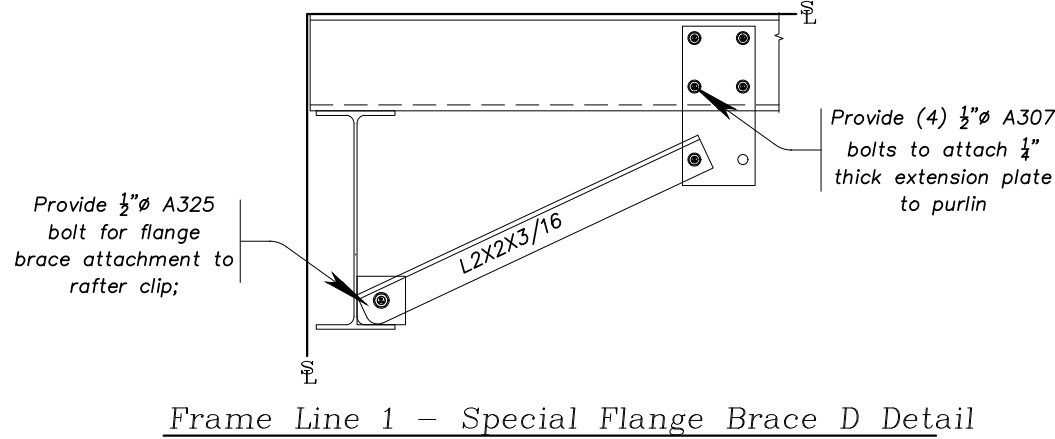
MEMBER SIZE TABLE

MARK	MEMBER	LENGTH
RF1-1	W12X26	27'-4"
RF1-2	W12X26	29'-1"
RF1-3	W12X26	27'-4"
EC-1	W8X18	27'-11 11/16"
EC-2	W8X18	27'-11 11/16"

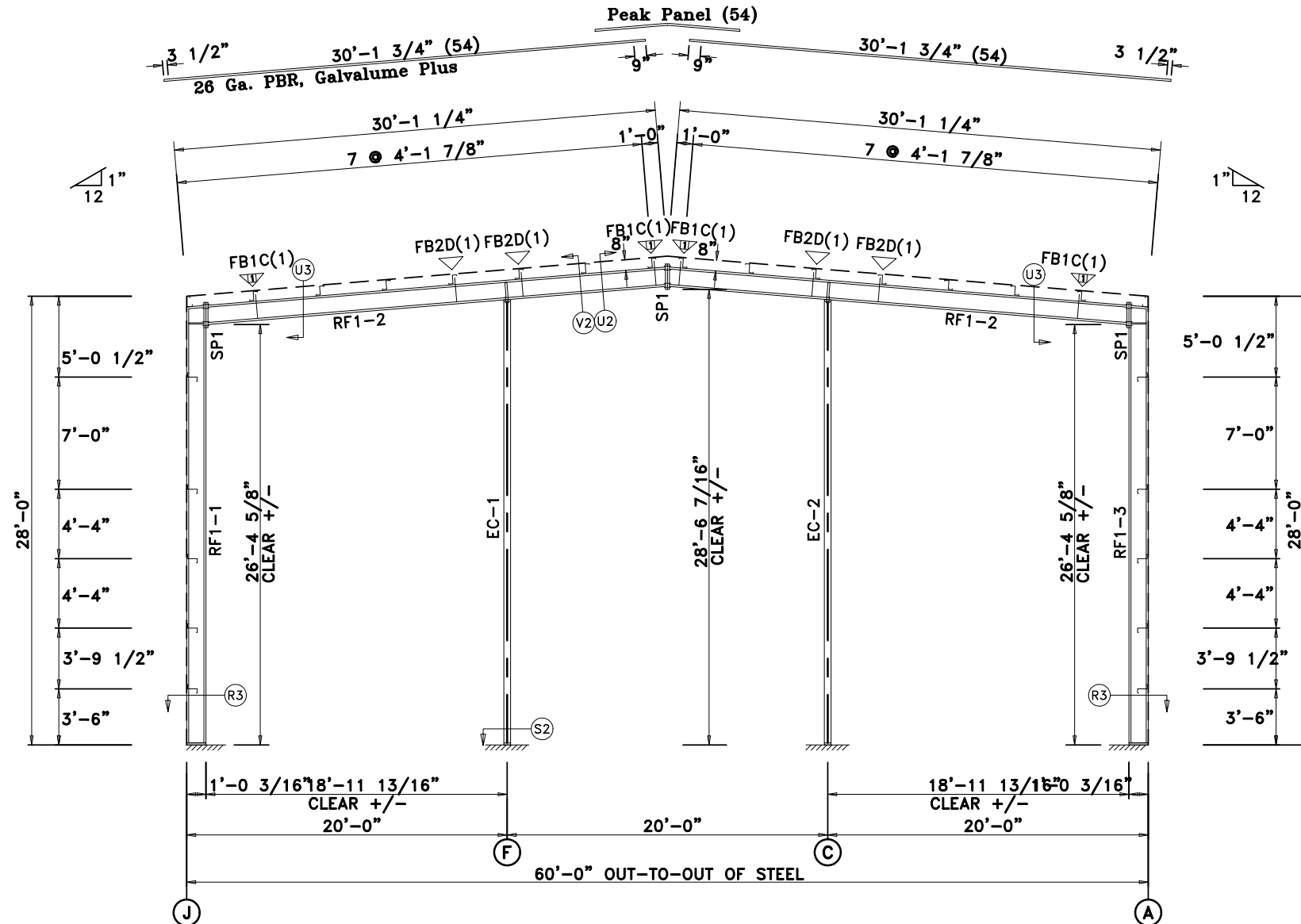
FLANGE BRACES: Both Sides(U.N.)
 FBxxC(1)
 C - F2X2X1/8
 D - L2X2X3/16

CONNECTION PLATES

ID	Qty	Mark/Part
1	8	FBEXT8



Frame Line 1 - Special Flange Brace D Detail



RIGID FRAME SECTION: FRAME LINE 1

APPROVAL DRAWINGS

- APPROVED AS DRAWN
- APPROVED AS NOTED
- NOT APPROVED

____ INITIAL

Please Check And Approve All Dimensions
 And Conditions. STANDARD STRUCTURES
 Must Be Notified Of Any Changes.

SSI STANDARD STRUCTURES INC.
 MANUFACTURER OF METAL BUILDINGS & COMPONENTS

P.O. BOX 1912
 ODESSA, TX. 79760
 1-800-240-0335

APPROVAL & PERMIT

JOB NAME: JWS
 PROJECT NAME: JWS

JOB LOCATION: Odessa, TX 79763

DRAWING TITLE: RIGID FRAME SECTION

DATE: 6/30/25

DET:

JOB NO.: 25046

PG.: E-11



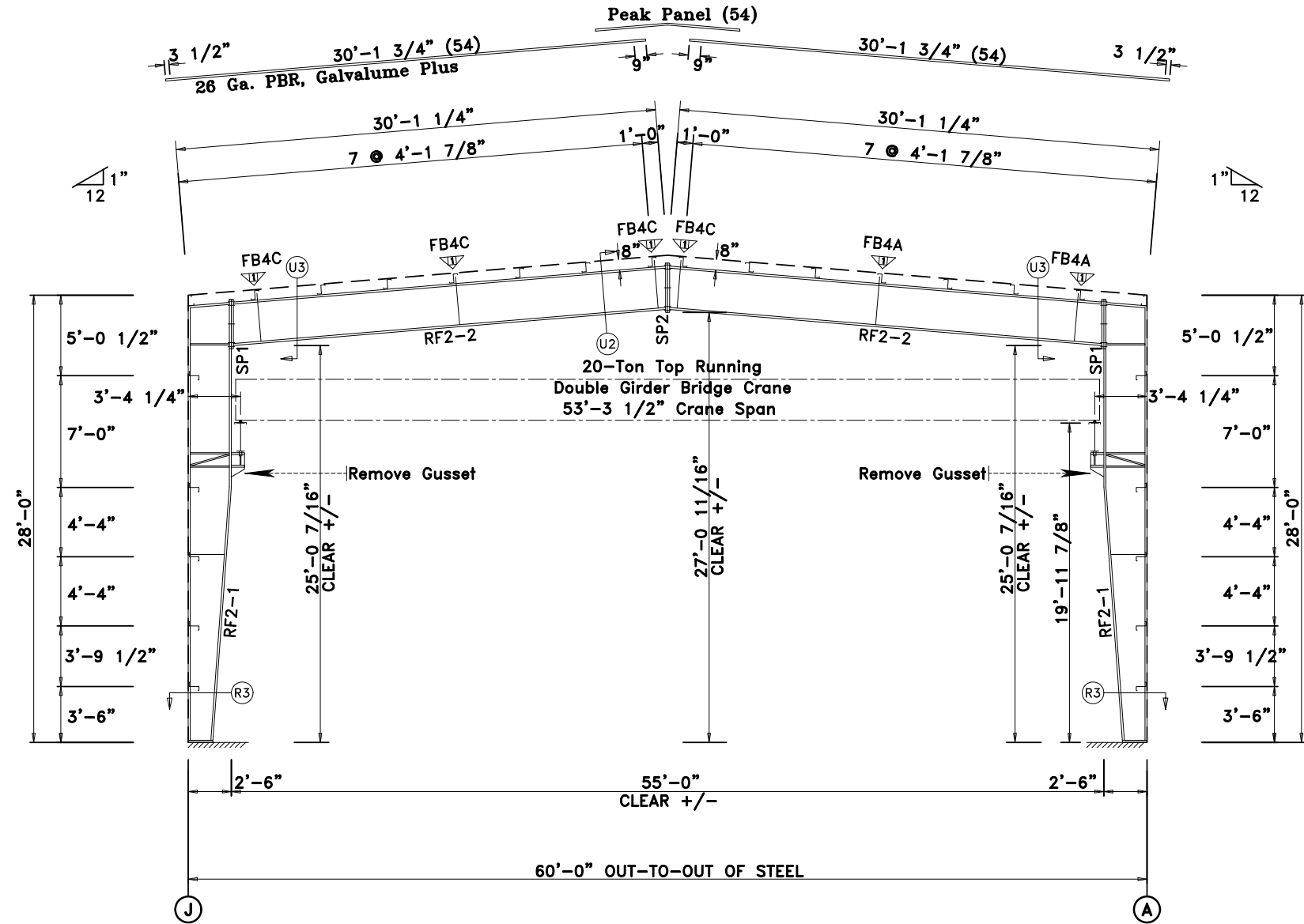
ACCREDITED™
 Metal Building Systems
 AC 472

SPLICE PLATE & BOLT TABLE									
Mark	Qty		Int	Type	Dia	Length	Width	Thick	Length
	Top	Bot							
SP1	4	4	2	A325	3/4"	2"	8"	1/2"	3'-0 1/2"
SP2	4	4	2	A325	5/8"	1 3/4"	6"	3/8"	3'-0 1/2"

MEMBER TABLE						
Mark	Web Depth		Web Plate		Outside Flange W x Thk x Length	Inside Flange W x Thk x Length
	Start/End	Thick	Length	Thick		
RF2-1	15.4/29.4	0.188	191.6		8 x 1/4" x 327.3	8 x 3/8" x 192.1
RF2-2	29.4/29.4	0.250	138.2		8 x 1/4" x 29.7	8 x 3/8" x 105.2
	29.5/29.5	0.188	92.6		6 x 1/4" x 330.1	6 x 1/4" x 330.1
	29.5/29.5	0.188	240.0			

FLANGE BRACES: Both Sides(U.N.)
 FBxxC(1)
 C - F2X2X1/8

CONNECTION PLATES		
ID	Qty	Mark/Part
1	8	FBEXT8



RIGID FRAME SECTION: FRAME LINE 2 3 4 5 6 7 8

APPROVAL DRAWINGS	
<input type="checkbox"/>	APPROVED AS DRAWN
<input type="checkbox"/>	APPROVED AS NOTED
<input type="checkbox"/>	NOT APPROVED
_____ INITIAL	
Please Check And Approve All Dimensions And Conditions. STANDARD STRUCTURES Must Be Notified Of Any Changes.	

SSI STANDARD STRUCTURES INC.
 MANUFACTURER OF METAL BUILDINGS & COMPONENTS
 P.O. BOX 1912
 ODESSA, TX. 79760
 1-800-240-0335

IAS
 ACCREDITED™
 Metal Building Systems
 AC 472

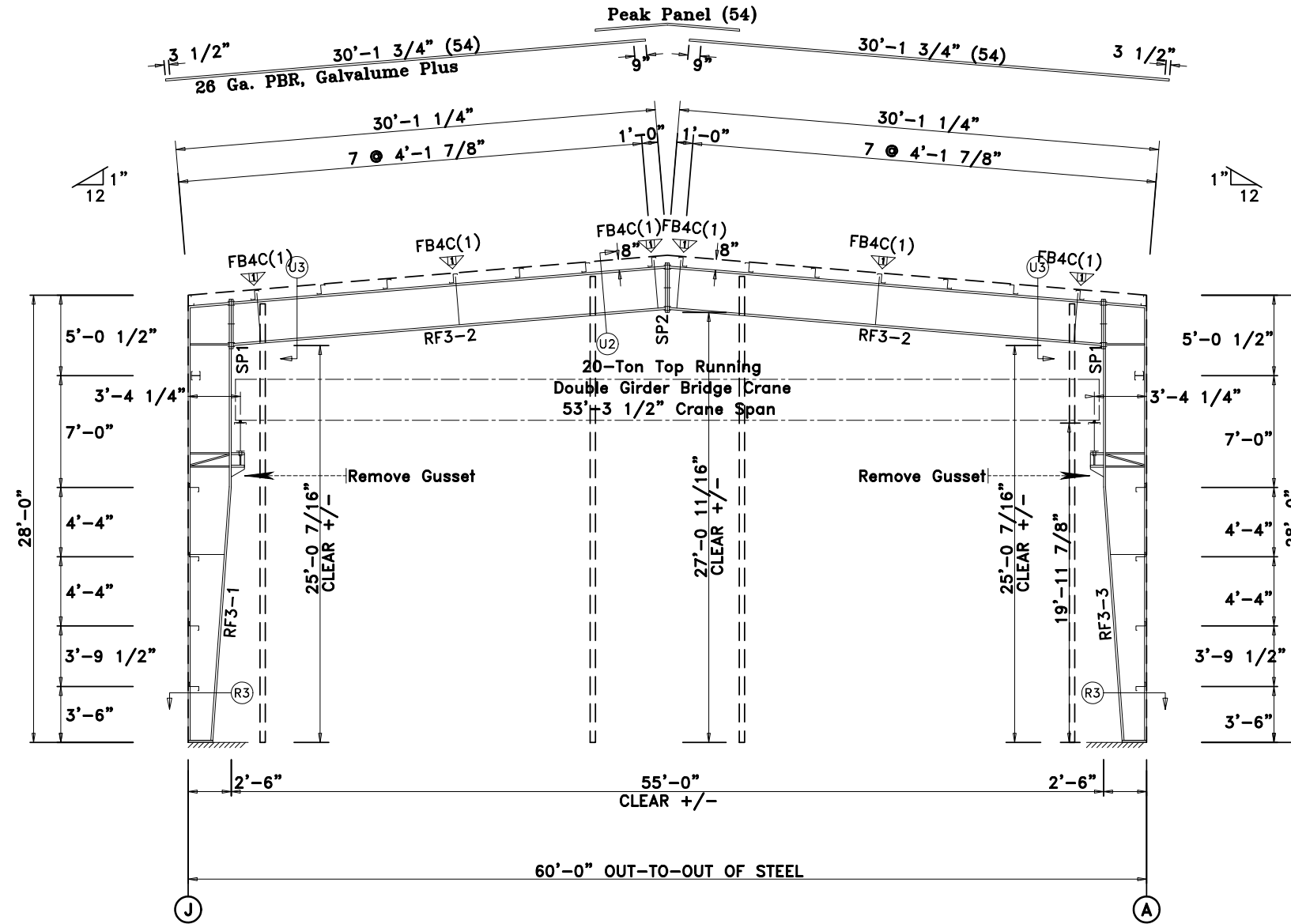
APPROVAL & PERMIT			
JOB NAME: JWS			
PROJECT NAME: JWS			
JOB LOCATION: Odessa, TX 79763			
DRAWING TITLE: RIGID FRAME SECTION			
DATE: 6/30/25	DET:	JOB NO.: 25046	PG.: E-12

SPLICE PLATE & BOLT TABLE									
Mark	Qty		Int	Type	Dia	Length	Width	Thick	Length
	Top	Bot							
SP1	4	4	2	A325	3/4"	2"	8"	1/2"	3'-0 1/2"
SP2	4	4	2	A325	5/8"	1 3/4"	6"	3/8"	3'-0 1/2"

MEMBER TABLE								
Mark	Web Depth		Web Plate		Outside Flange		Inside Flange	
	Start/End	Thick	Length	Thick	W x Thk x Length	W x Thk x Length	W x Thk x Length	
RF3-1	15.4/29.4	0.188	191.6		8 x 1/4" x 327.3	8 x 3/8" x 192.1		
RF3-2	29.4/29.4	0.250	138.2		8 x 1/4" x 29.7	8 x 3/8" x 105.2		
	29.5/29.5	0.188	92.6		6 x 1/4" x 330.1	6 x 1/4" x 330.1		
RF3-3	29.5/29.5	0.188	240.0					
	29.4/29.4	0.250	138.2		8 x 1/4" x 29.7	8 x 3/8" x 105.2		
	29.4/15.4	0.188	191.6		8 x 1/4" x 327.3	8 x 3/8" x 192.1		

FLANGE BRACES: Both Sides(U.N.)
 FBxxC(1)
 C - F2X2X1/8

CONNECTION PLATES		
ID	Qty	Mark/Part
1	8	FBEXT8



RIGID FRAME SECTION: FRAME LINE 9

APPROVAL DRAWINGS

- APPROVED AS DRAWN
- APPROVED AS NOTED
- NOT APPROVED

____ INITIAL

Please Check And Approve All Dimensions
 And Conditions. STANDARD STRUCTURES
 Must Be Notified Of Any Changes.

SSI STANDARD STRUCTURES INC.
 MANUFACTURER OF METAL BUILDINGS & COMPONENTS

P.O. BOX 1912
 ODESSA, TX. 79760
 1-800-240-0335



ACCREDITED™
 Metal Building Systems
 AC 472

APPROVAL & PERMIT

JOB NAME: JWS

PROJECT NAME: JWS

JOB LOCATION: Odessa, TX 79763

DRAWING TITLE: RIGID FRAME SECTION

DATE: 6/30/25

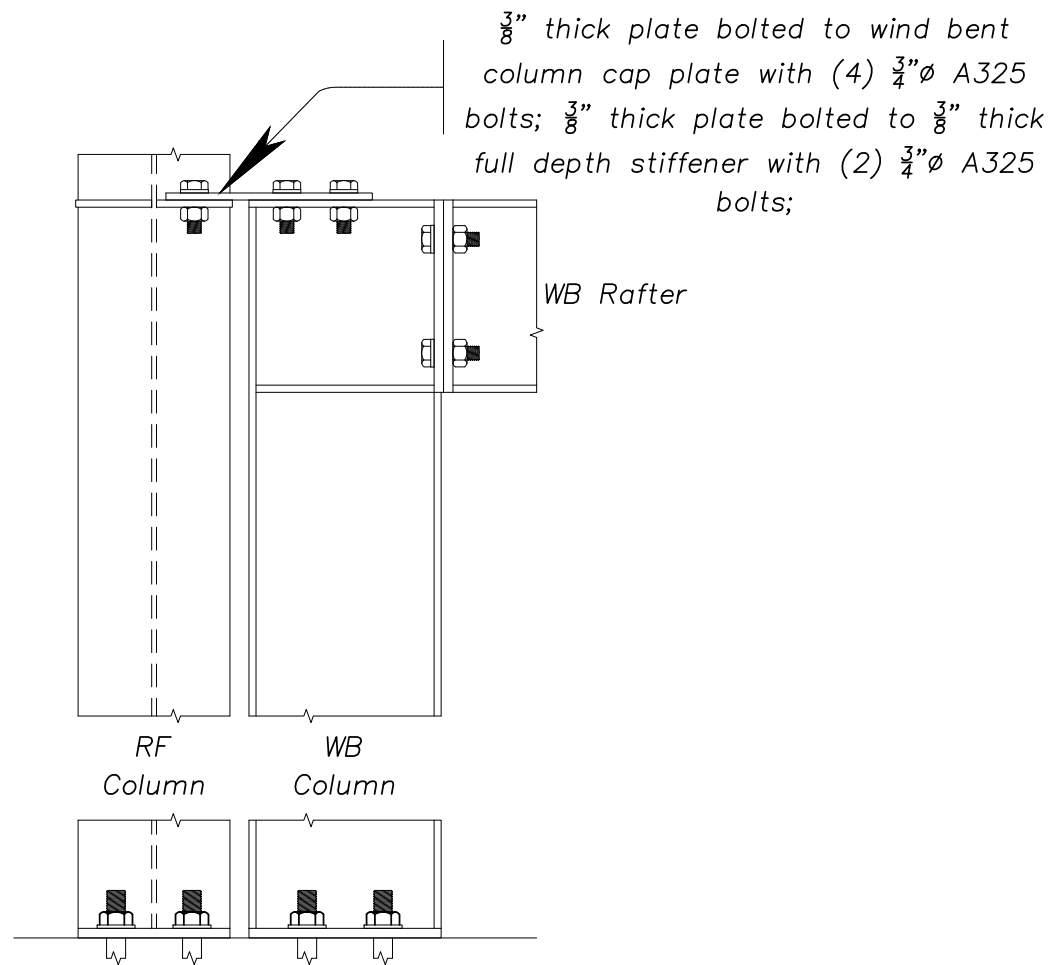
DET:

JOB NO.: 25046

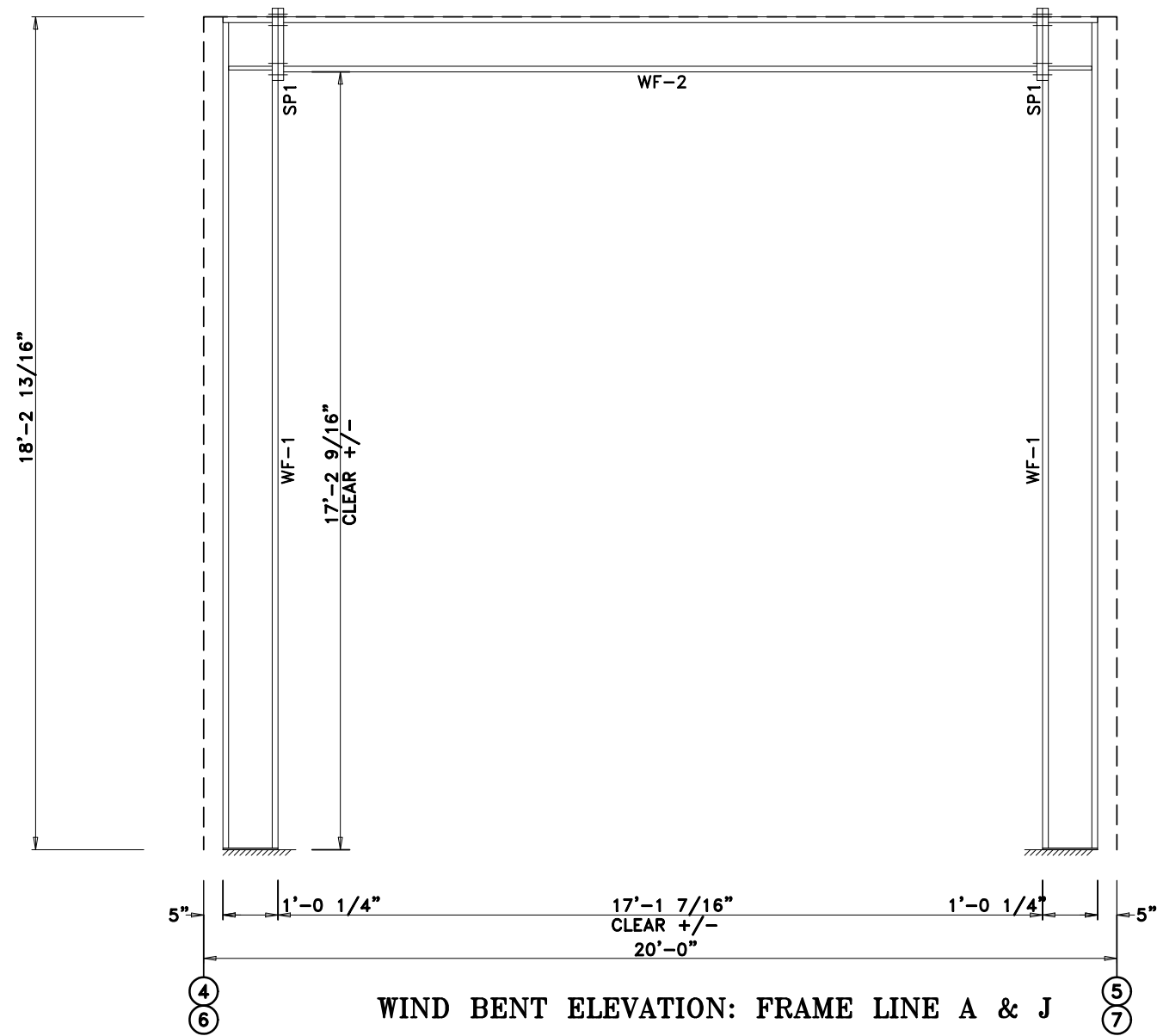
PG.: E-13

SPLICE BOLTS					
Splice Mark	Quan	Top/Bot	Type	Dia	Length
SP1	4	4	A325	0.750	2.00

MEMBER SIZE TABLE		
MARK	MEMBER	LENGTH
WF-2	W12X26	17'-1 3/16"
WF-1	W12X26	18'-2 13/16"



Wind Bent Connection



APPROVAL DRAWINGS

- APPROVED AS DRAWN
- APPROVED AS NOTED
- NOT APPROVED

____ INITIAL

Please Check And Approve All Dimensions And Conditions. STANDARD STRUCTURES Must Be Notified Of Any Changes.

SSI STANDARD STRUCTURES INC.
 MANUFACTURER OF METAL BUILDINGS & COMPONENTS
 P.O. BOX 1912
 ODESSA, TX. 79760
 1-800-240-0335

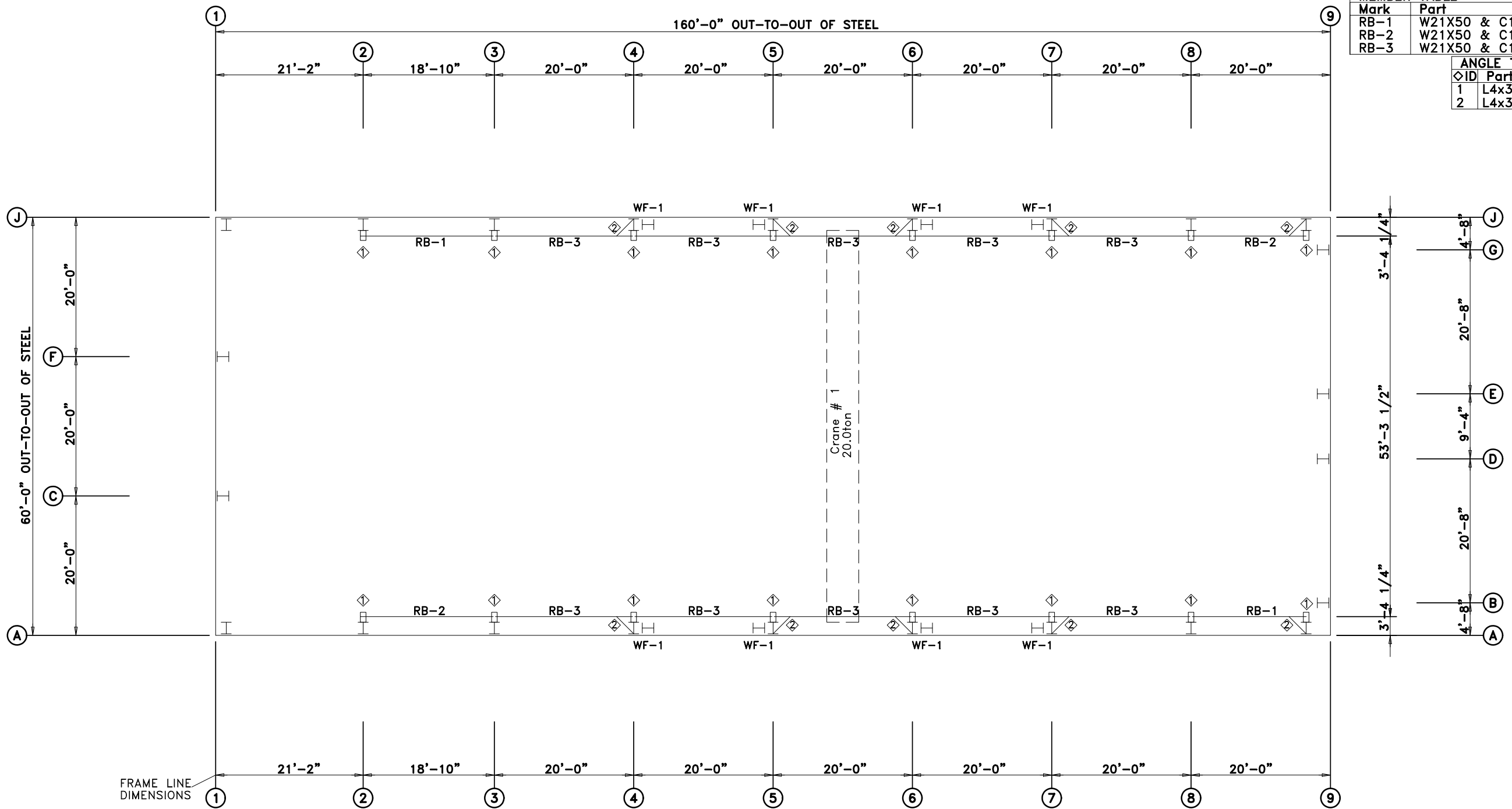
IAS
 ACCREDITED™
 Metal Building Systems
 AC 472

APPROVAL & PERMIT

JOB NAME: JWS
 PROJECT NAME: JWS
 JOB LOCATION: Odessa, TX 79763
 DRAWING TITLE: *WIND BENT ELEVATION*
 DATE: 7/ 2/25 DET: JOB NO.: 25046 PG.: E-14

MEMBER TABLE		
Mark	Part	Length
RB-1	W21X50 & C10X15.3	19'-0 1/8"
RB-2	W21X50 & C10X15.3	19'-0 1/8"
RB-3	W21X50 & C10X15.3	19'-10 3/4"

ANGLE TABLE		
ID	Part	Length
1	L4x3x3/8"	
2	L4x3x3/8"	



CRANE PLAN

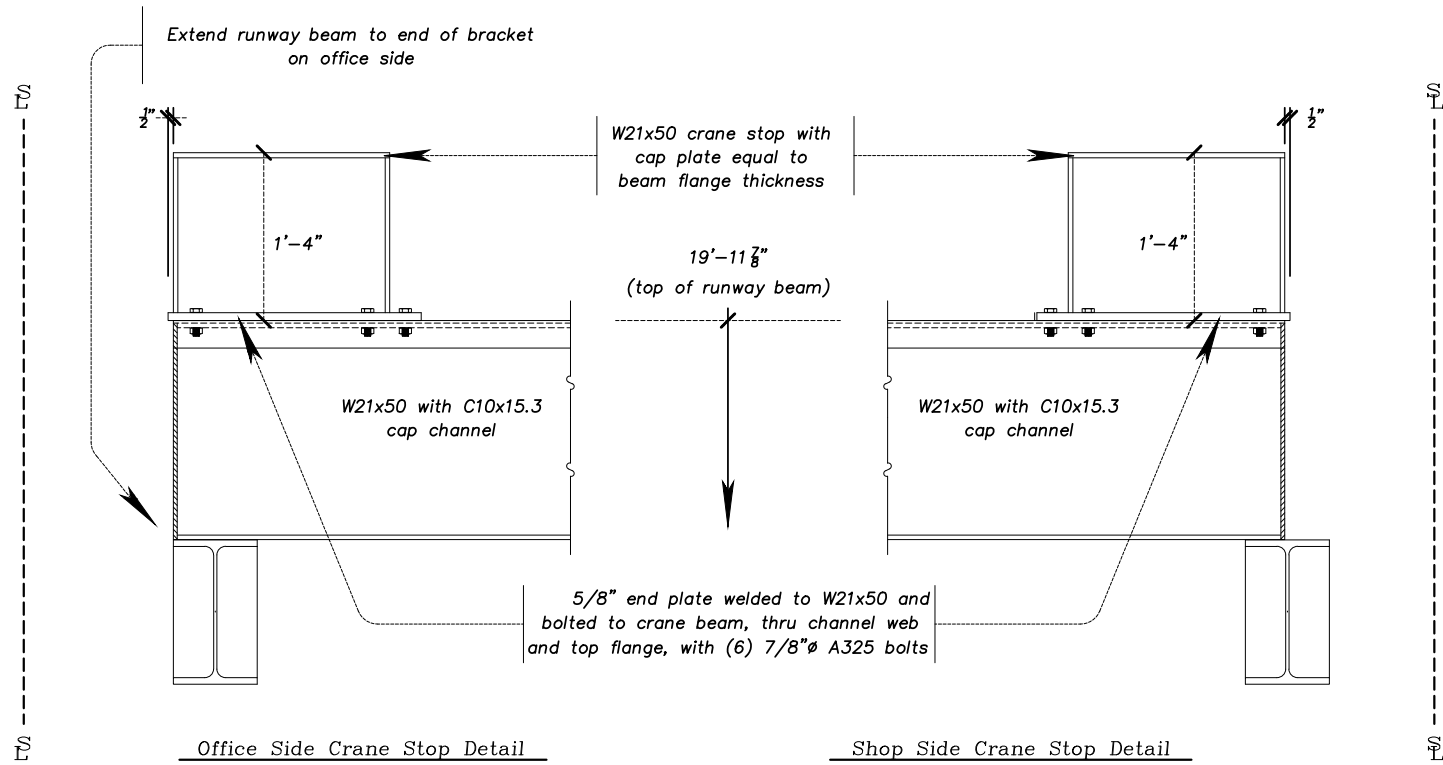
APPROVAL DRAWINGS	
<input type="checkbox"/>	APPROVED AS DRAWN
<input type="checkbox"/>	APPROVED AS NOTED
<input type="checkbox"/>	NOT APPROVED
____ INITIAL	
Please Check And Approve All Dimensions And Conditions. STANDARD STRUCTURES Must Be Notified Of Any Changes.	

SSI STANDARD STRUCTURES INC.
 MANUFACTURER OF METAL BUILDINGS & COMPONENTS
 P.O. BOX 1912
 ODESSA, TX. 79760
 1-800-240-0335

IAS
 ACCREDITED™
 Metal Building Systems
 AC 472

APPROVAL & PERMIT

JOB NAME: JWS
 PROJECT NAME: JWS
 JOB LOCATION: Odessa, TX 79763
 DRAWING TITLE: CRANE PLAN
 DATE: 6/30/25 DET: JOB NO.: 25046 PG.: E-15



L4x3x3/8 angles: (1) welded to the cap channel; (1) bolted to the column flange with (1) 3/4" A325 bolt

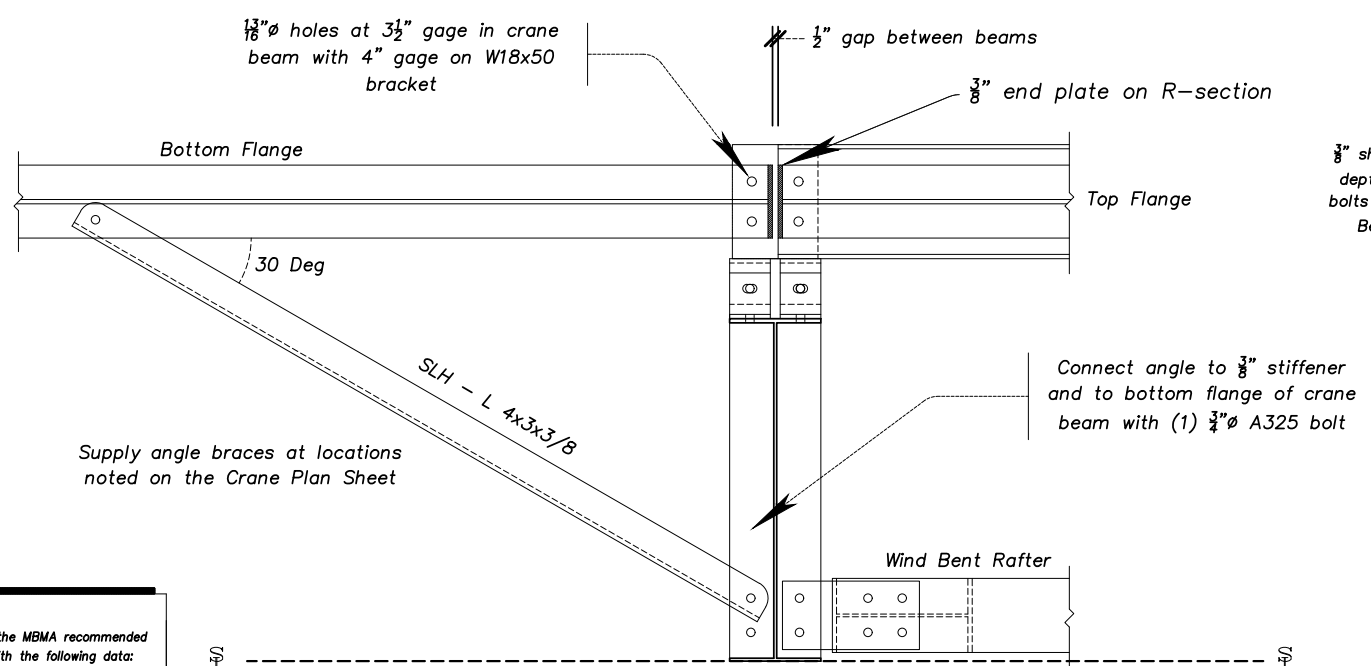
3/4" A325 bolt with double nuts and hardened washers; tighten nuts together and burr end of bolt; 1/8" x 1 1/4" slot in leg of bottom angle

Stiffeners per MBS

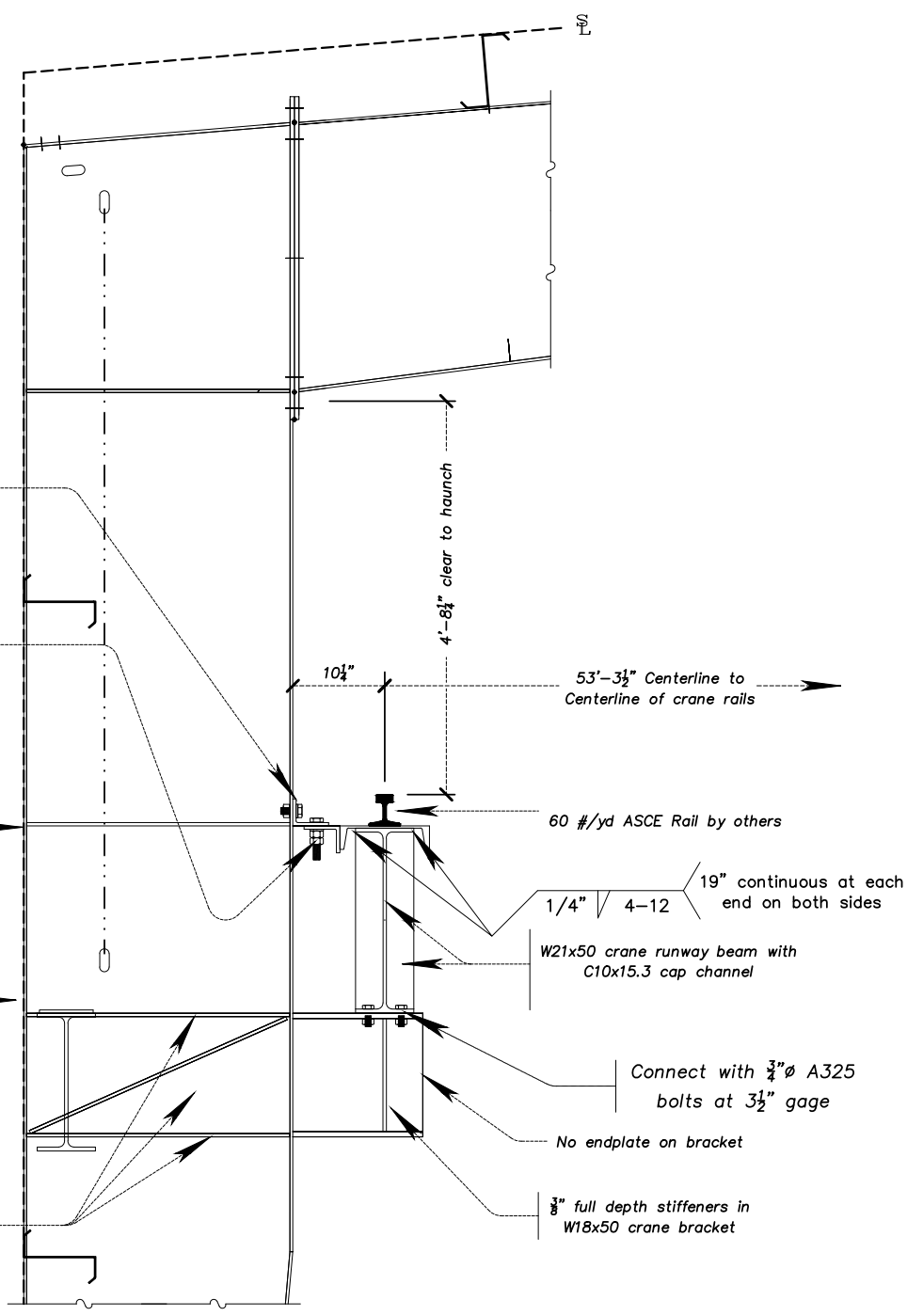
3/8" shear plate connected to 3/8" full depth stiffener with (2) 3/4" A325 bolts and connected to top of Wind Bent with (4) 3/4" A325 bolts

Connect angle to 3/8" stiffener and to bottom flange of crane beam with (1) 3/4" A325 bolt

View @ Rigid Frame Column with Flush Girts



View @ Top / Bottom of Runway Beam



CRANE DATA	
This building has been designed in accordance with the MBMA recommended loading conditions to support (1) 20-ton crane with the following data:	
Supplier	Bay Area Crane Services
C.M.A.A. Class	C
Span	53'-3 1/2"
Top of Rail to Finished Floor	20'-4 1/8"
Top of Rail to Clear at Haunch	4'-8 1/4"
Side Clearance	10 1/4"
Height to Bottom of Runway Beam	18'-2 3/4"
Capacity of Hoist	20.0 Tons
Maximum Wheel Load (no impact)	26,700 lbs.
Wheel Base	13'-1 1/2"
Bridge Weight	26,381 lbs.
Hoist and Trolley Weight	1,970 lbs.
Side Hook Approach	3'-1"
ACSE Rail	60.0 lbs./yd
Crane Beam Weight	65.3 lbs./ft
Impact	10%

APPROVAL DRAWINGS

- APPROVED AS DRAWN
- APPROVED AS NOTED
- NOT APPROVED

____ INITIAL

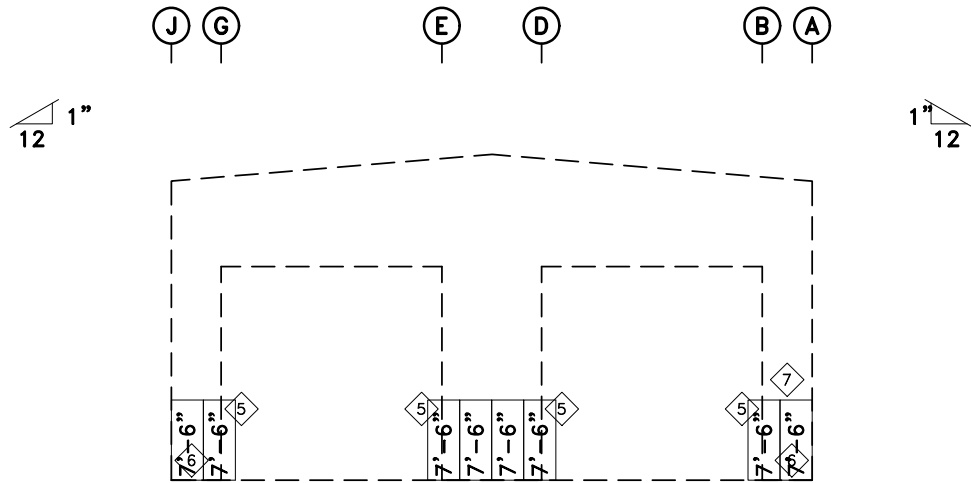
Please Check And Approve All Dimensions And Conditions. STANDARD STRUCTURES Must Be Notified Of Any Changes.

SSI STANDARD STRUCTURES INC.
 MANUFACTURER OF METAL BUILDINGS & COMPONENTS
 P.O. BOX 1912
 ODESSA, TX. 79760
 1-800-240-0335

IAS
 ACCREDITED™
 Metal Building Systems
 AC 472

APPROVAL & PERMIT

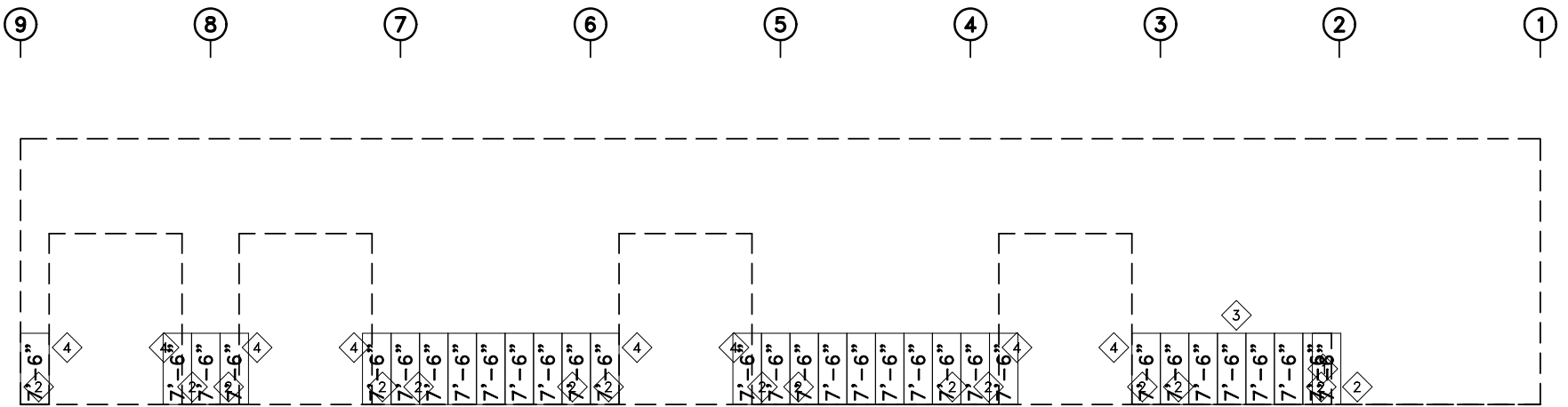
JOB NAME: JWS
 PROJECT NAME: JWS
 JOB LOCATION: Odessa, TX 79763
 DRAWING TITLE: CRANE DETAILS
 DATE: 6/30/25 DET: JOB NO.: 25046 PG.: E-16



ENDWALL LINER SHEETING & TRIM: FRAME LINE 9

PANELS: 26 Ga. RPBM - Polar White

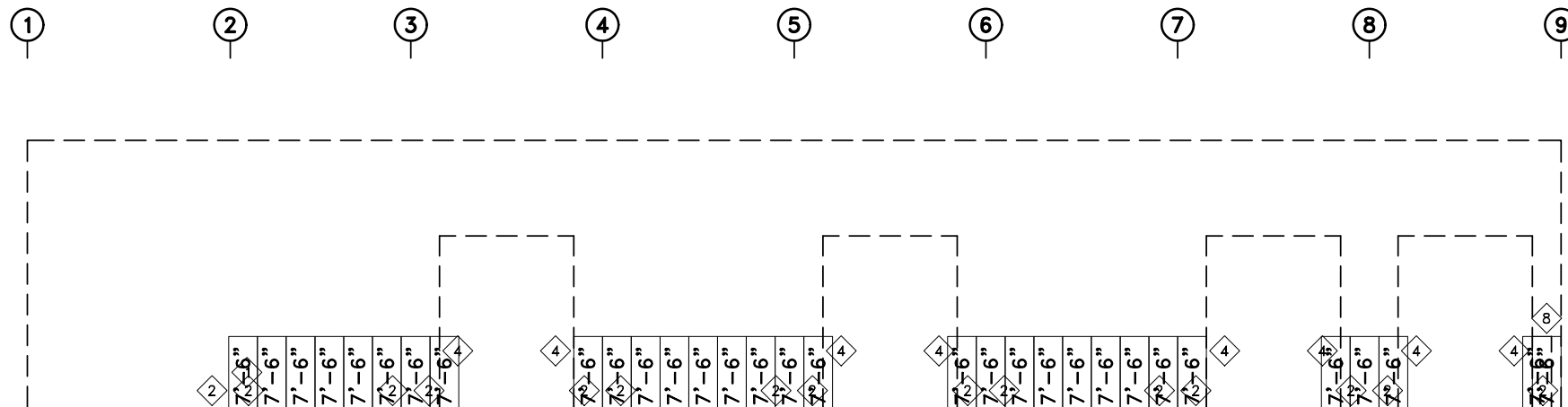
(As Viewed From Inside Of Building)



SIDEWALL LINER SHEETING & TRIM: FRAME LINE A

PANELS: 26 Ga. RPBM - Polar White

(As Viewed From Inside Of Building)

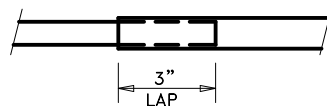


SIDEWALL LINER SHEETING & TRIM: FRAME LINE J

PANELS: 26 Ga. RPBM - Polar White

(As Viewed From Inside Of Building)

TRIM TABLE				
FRAME LINE A 9 J				
ID	QUAN	PART	LENGTH	DETAIL
1	1	3X3ISANG	7'-6"	TRIM_80
2	1	HEADM243	7'-6"	TRIM_781
3	5	HEADM243	20'-3"	TRIM_10
4	1	JMBTM243	7'-8"	TRIM_82
5	1	JMBTM243	7'-6"	TRIM_82
6	1	HEADM243	7'-10"	TRIM_8
7	1	HEADM243	20'-3"	TRIM_10
8	4	HEADM243	20'-3"	TRIM_10



ALL TRIM LAPS ARE TO BE 3" LONG

NOTE: If Trim Lap Is More Than 3" Long, The Trim May Not Cover The Required Coverage Length.

APPROVAL DRAWINGS

- APPROVED AS DRAWN
- APPROVED AS NOTED
- NOT APPROVED

____ INITIAL

Please Check And Approve All Dimensions And Conditions. STANDARD STRUCTURES Must Be Notified Of Any Changes.

SSI STANDARD STRUCTURES INC.
MANUFACTURER OF METAL BUILDINGS & COMPONENTS

P.O. BOX 1912
ODESSA, TX. 79760
1-800-240-0335



ACCREDITED™
Metal Building Systems
AC 472

APPROVAL & PERMIT

JOB NAME: JWS

PROJECT NAME: JWS

JOB LOCATION: Odessa, TX 79763

DRAWING TITLE: LINER DRAWING

DATE: 6/30/25

DET:

JOB NO.: 25046

PG.: E-17