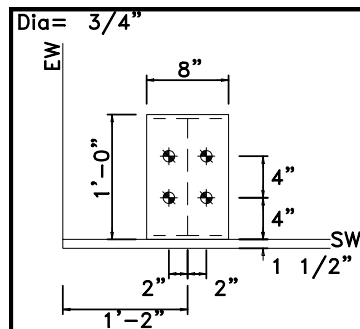
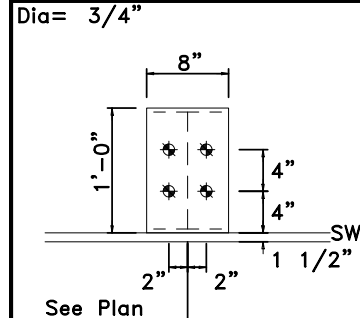


Standard Structures, Inc.

Job# 25083  
Final Design



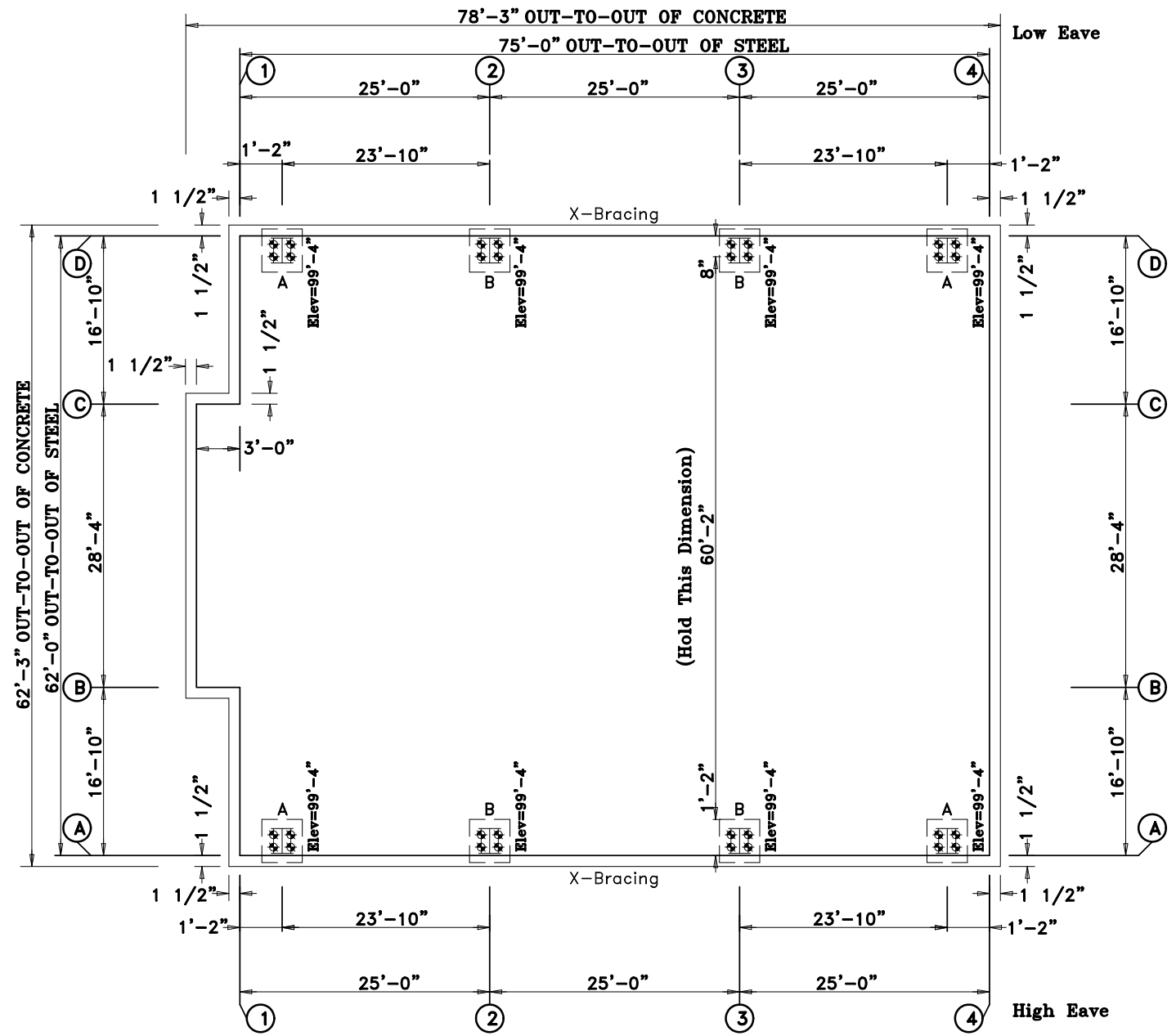
DETAIL A Base EL. 99'-4"



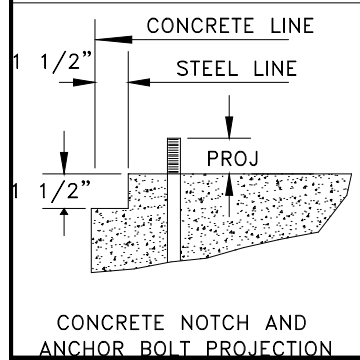
DETAIL B Base EL. 99'-4"

ANCHOR BOLT SUMMARY

Qty	Locate	Dia (in)	Type	Proj (in)
32	Frame	3/4"	A307	2.00



ANCHOR BOLT PLAN  
NOTE: All Base Plates @ 100'-0" (U.N.)



**APPROVAL DRAWINGS**

APPROVED AS DRAWN  
 APPROVED AS NOTED  
 NOT APPROVED

\_\_\_\_ INITIAL

Please Check And Approve All Dimensions And Conditions. STANDARD STRUCTURES Must Be Notified Of Any Changes.

**SSI** STANDARD STRUCTURES INC.  
 MANUFACTURER OF METAL BUILDINGS & COMPONENTS  
 P.O. BOX 1912  
 ODESSA, TX. 79760  
 1-800-240-0335

**IAS**  
 ACCREDITED™  
 Metal Building Systems  
 AC 472

**APPROVAL & PERMIT**

JOB NAME: NC Sturgeon  
 PROJECT NAME: Rasi Shopping  
 JOB LOCATION: Midland, TX 79706  
 DRAWING TITLE: ANCHOR BOLT PLAN  
 DATE: 10/13/25 DET: JOB NO.: 25083 PG.: E-1

**NOTES FOR REACTIONS**

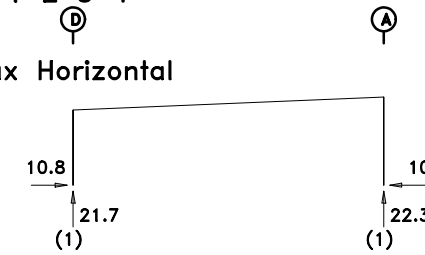
Building reactions are based on the following building data:  
 Width (ft) = 62.0  
 Length (ft) = 75.0  
 Eave Height (ft) = 15.0/ 17.6  
 Roof Slope (rise/12) = 0.50  
 Roof Dead Load (psf) = 3.5  
 Live Load (psf) = 20.0  
 Collateral Load (psf) = 3.0  
 Snow Load (psf) = 3.5  
 Minimum Snow (psf) = 5.0  
 Wind Speed (mph) = 106.0  
 Wind Code = 2021 IBC  
 Exposure = C  
 Closure = Enclosed  
 Internal Wind Coeff = -0.18, +0.18  
 Risk Category = II - Normal  
 Importance - Seismic = 1.00  
 Seismic Design Category = A

**BUILDING BRACING REACTIONS**

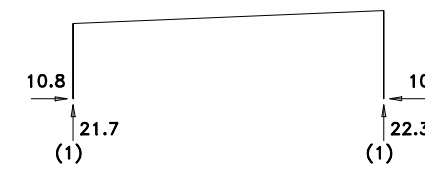
Wall Loc	Line	Col Line	± Reactions(k )			
			0.6Wind		Seismic	
			Horz	Vert	Horz	Vert
L_EW	1	Rigid frame at endwall				
F_SW	A	2,3	4.6	2.9	0.4	0.3
R_EW	4	Rigid frame at endwall				
B_SW	D	3,2	5.2	2.8	0.4	0.2

**RIGID FRAME REACTIONS (k )**

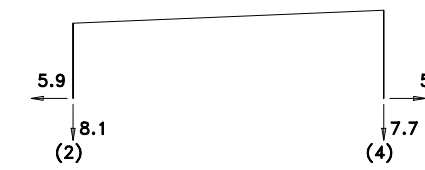
⊙ 1 2 3 4



**Max +Vertical**



**Max -Vertical**



(1) Dead+Collateral+Live  
 (2) 0.6Dead+0.6Wind\_Left1  
 (4) 0.6Dead+0.6Wind\_Long1R

**APPROVAL DRAWINGS**

- APPROVED AS DRAWN
- APPROVED AS NOTED
- NOT APPROVED

\_\_\_\_ INITIAL

Please Check And Approve All Dimensions And Conditions. STANDARD STRUCTURES Must Be Notified Of Any Changes.

**SSI** STANDARD STRUCTURES INC.

MANUFACTURER OF METAL BUILDINGS & COMPONENTS

P.O. BOX 1912  
 ODESSA, TX. 79760  
 1-800-240-0335



ACCREDITED™  
 Metal Building Systems  
 AC 472

**APPROVAL & PERMIT**

JOB NAME: NC Sturgeon

PROJECT NAME: Rasi Shopping

JOB LOCATION: Midland, TX 79706

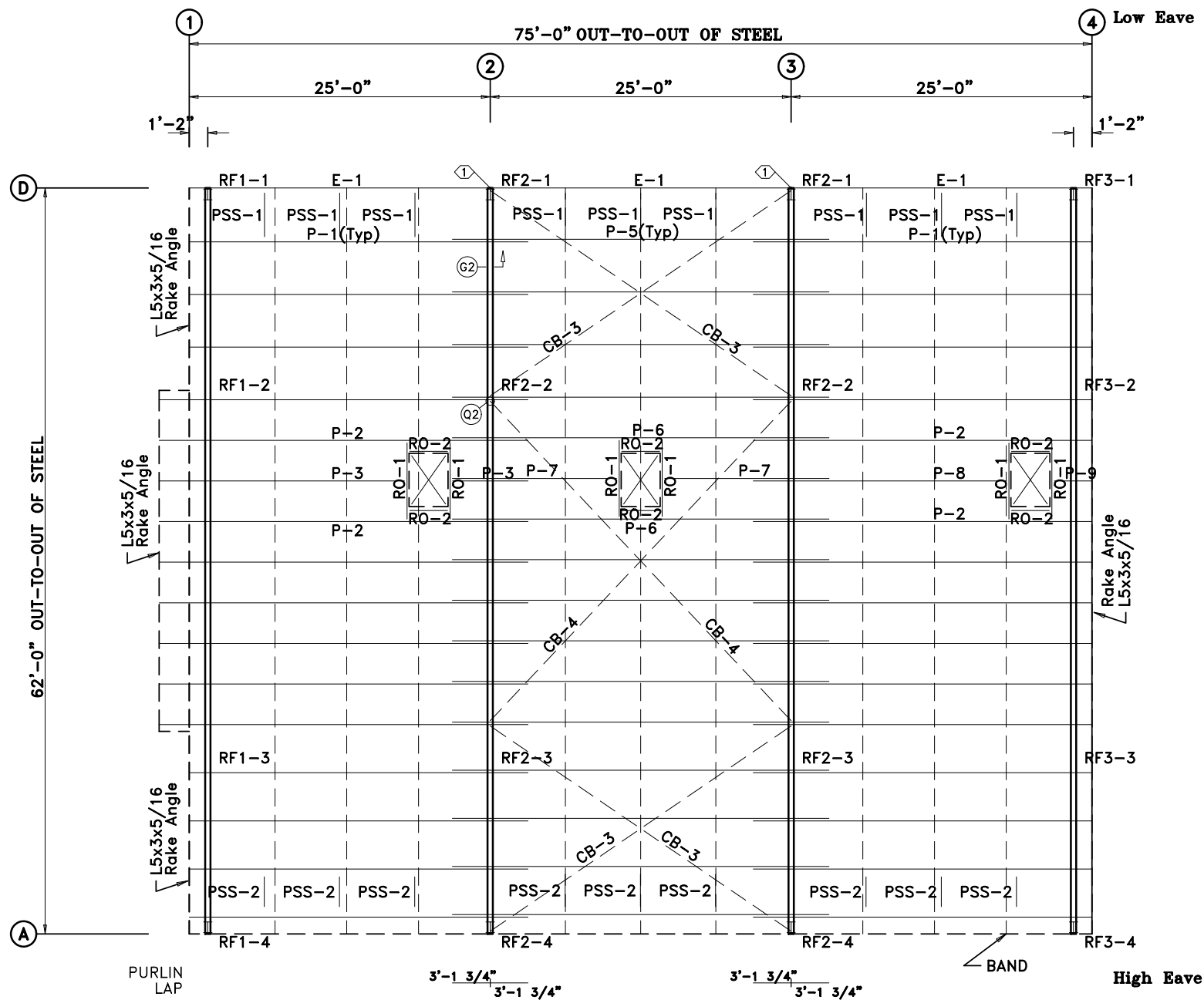
DRAWING TITLE: ANCHOR BOLT REACTIONS

DATE: 10/13/25

DET:

JOB NO.: 25083

PG.: E-2

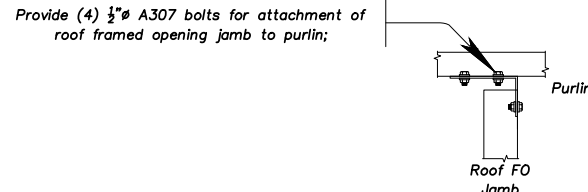


ROOF FRAMING PLAN

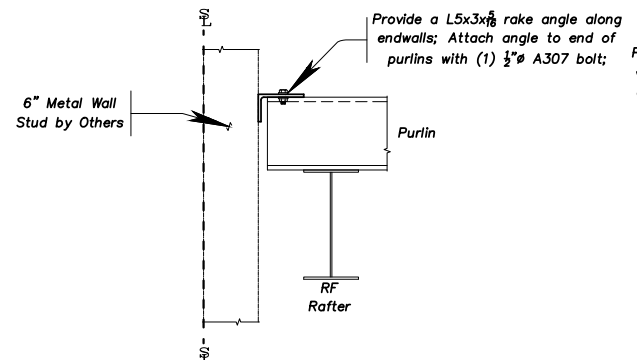
MEMBER TABLE			
ROOF PLAN			
QUAN	MARK	PART	LENGTH
6	RO-1	8x35C16	6'-1 9/16"
6	RO-2	8x35C16	3'-6 3/8"
26	P-1	8x25Z14	28'-1 1/2"
4	P-2	8x25Z12	28'-1 1/2"
1	P-3	8x25Z14	17'-8 7/8"
1	P-4	8x25Z14	6'-1 3/4"
13	P-5	8x25Z16	31'-3 1/2"
2	P-6	8x25Z12	31'-3 1/2"
2	P-7	8x25Z16	13'-6 5/16"
1	P-8	8x25Z14	20'-10 7/8"
1	P-9	8x25Z14	2'-11 3/4"
3	E-1	8LEDS14	24'-11 1/2"
4	CB-3	7/16_CBL	28'-0"
2	CB-4	7/16_CBL	34'-1"
9	PSS-1	8x35C16	4'-4 1/2"

SPECIAL BOLTS					
ROOF PLAN					
ID	QUAN	TYPE	DIA	LENGTH	WASH
1	4	A325	1/2"	1 1/4"	0

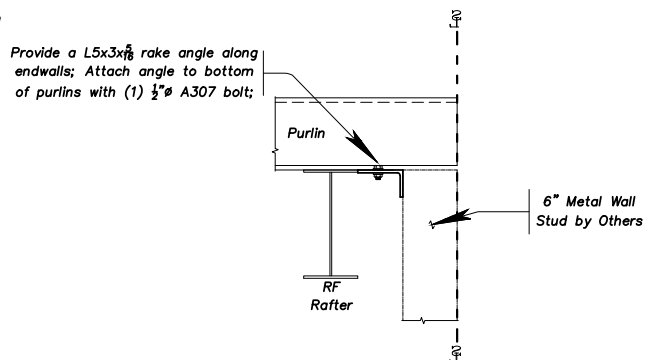
(3) RTU framed openings provided by SSI with 500# rating; Roof curb by Others.



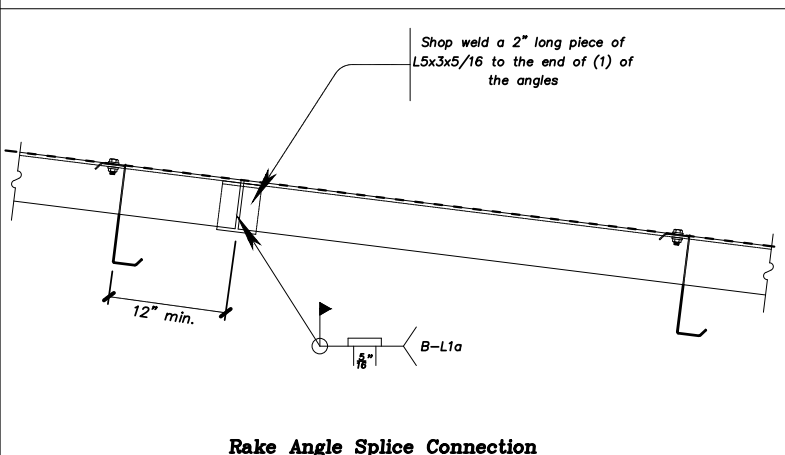
1 Roof Framed Opening for RTU Connection Details



2 Left Endwall Section and Rake Angle Connection Detail



3 Right Endwall Section and Rake Angle Connection Detail



Rake Angle Splice Connection

**APPROVAL DRAWINGS**

- APPROVED AS DRAWN
- APPROVED AS NOTED
- NOT APPROVED

\_\_\_\_ INITIAL

Please Check And Approve All Dimensions And Conditions. STANDARD STRUCTURES Must Be Notified Of Any Changes.

**SSI** STANDARD STRUCTURES INC.  
MANUFACTURER OF METAL BUILDINGS & COMPONENTS

P.O. BOX 1912  
ODESSA, TX. 79760  
1-800-240-0335

**IAS**

ACCREDITED™  
Metal Building Systems  
AC 472

**APPROVAL & PERMIT**

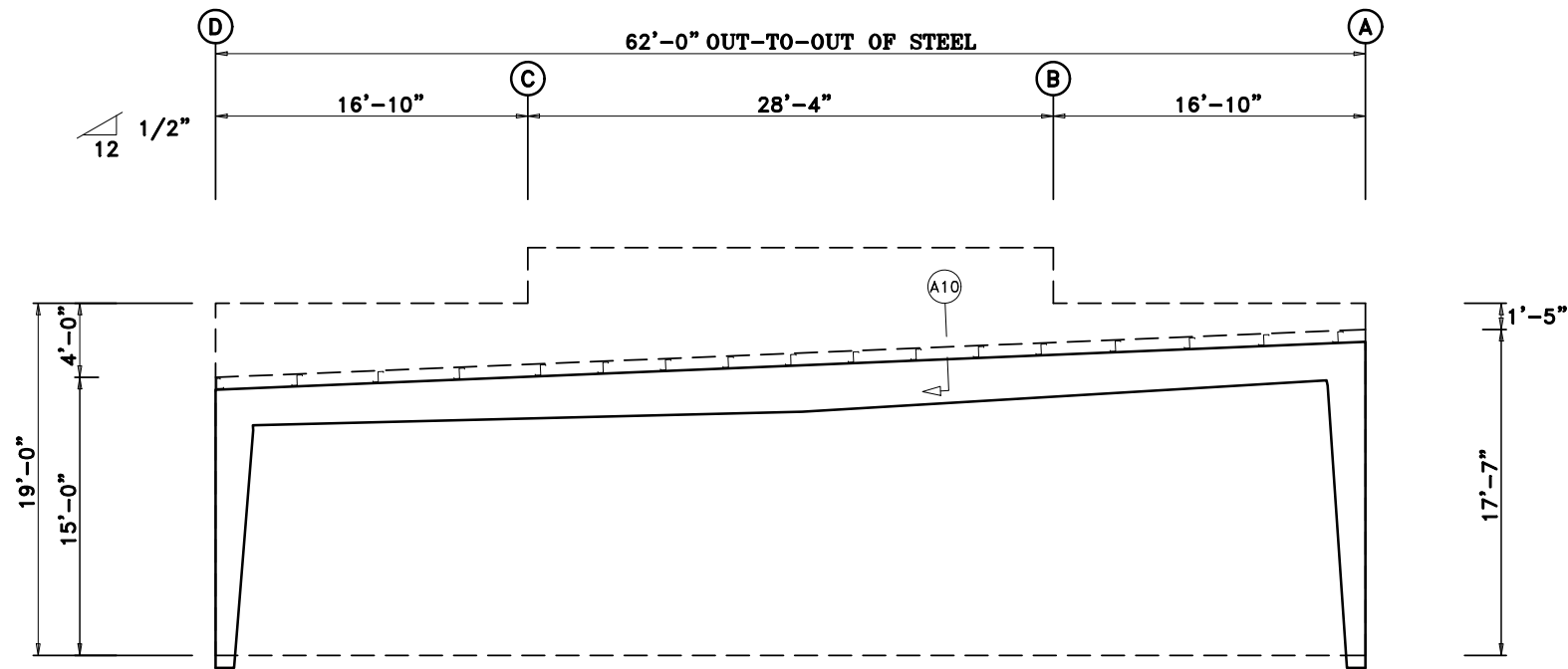
JOB NAME: NC Sturgeon  
PROJECT NAME: Rasi Shopping

JOB LOCATION: Midland, TX 79706

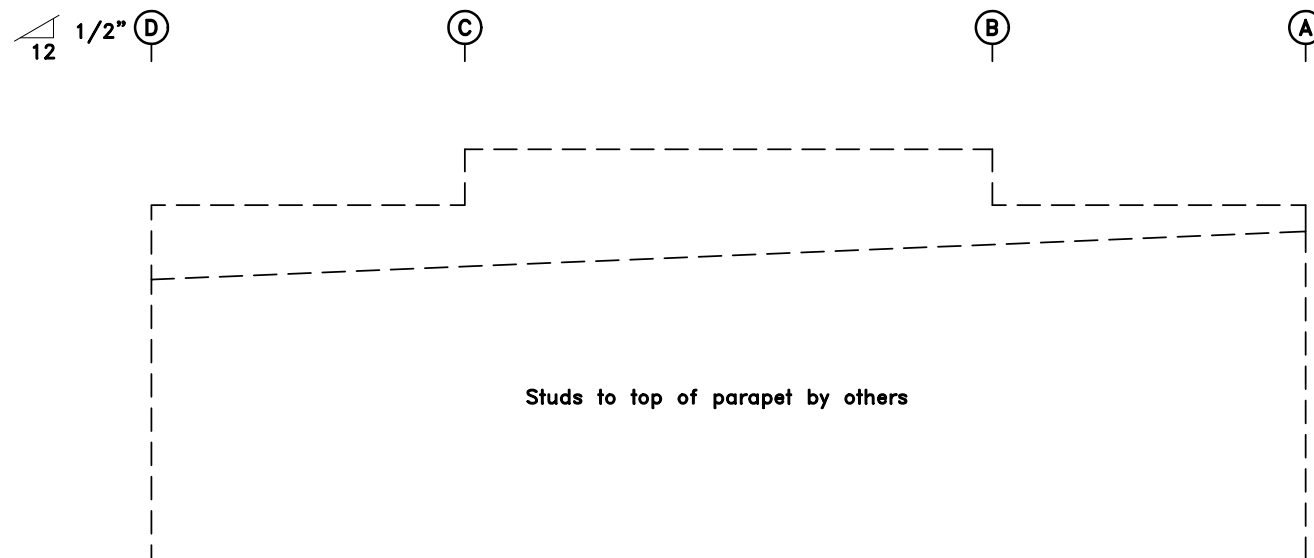
DRAWING TITLE: ROOF FRAMING PLAN

DATE: 10/13/25    DET:    JOB NO.: 25083    PG.: E-3

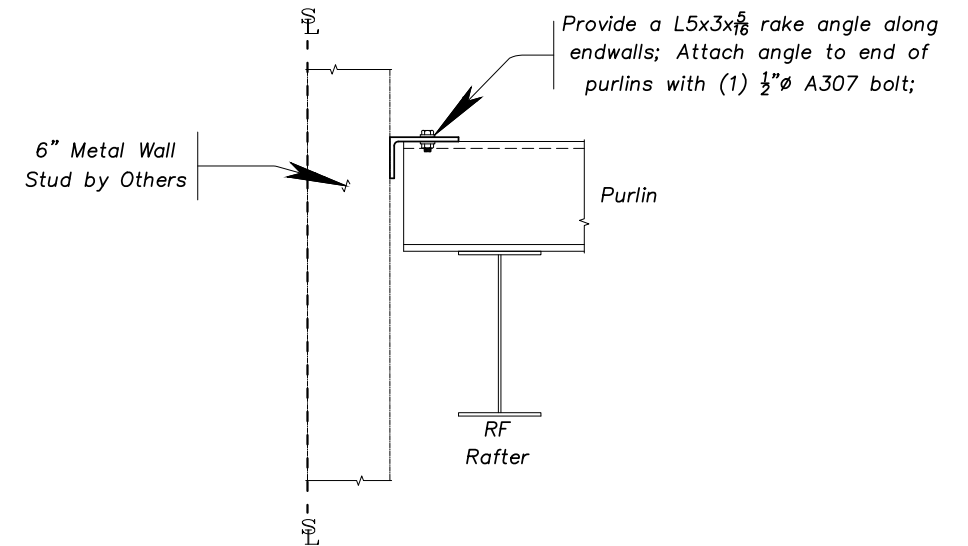




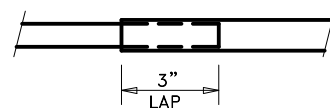
ENDWALL FRAMING: FRAME LINE 1



ENDWALL SHEETING & TRIM: FRAME LINE 1



2 Endwall Section and Rake Angle Connection Detail



ALL TRIM LAPS ARE TO BE 3" LONG

NOTE: If Trim Lap Is More Than 3" Long, The Trim May Not Cover The Required Coverage Length.

APPROVAL DRAWINGS

- APPROVED AS DRAWN
- APPROVED AS NOTED
- NOT APPROVED

\_\_\_\_ INITIAL

Please Check And Approve All Dimensions And Conditions. STANDARD STRUCTURES Must Be Notified Of Any Changes.

**SSI** STANDARD STRUCTURES INC.  
MANUFACTURER OF METAL BUILDINGS & COMPONENTS

P.O. BOX 1912  
ODESSA, TX. 79760  
1-800-240-0335

**IAS**

ACCREDITED™  
Metal Building Systems  
AC 472

APPROVAL & PERMIT

JOB NAME: NC Sturgeon

PROJECT NAME: Rasi Shopping

JOB LOCATION: Midland, TX 79706

DRAWING TITLE: ENDWALL DRAWING

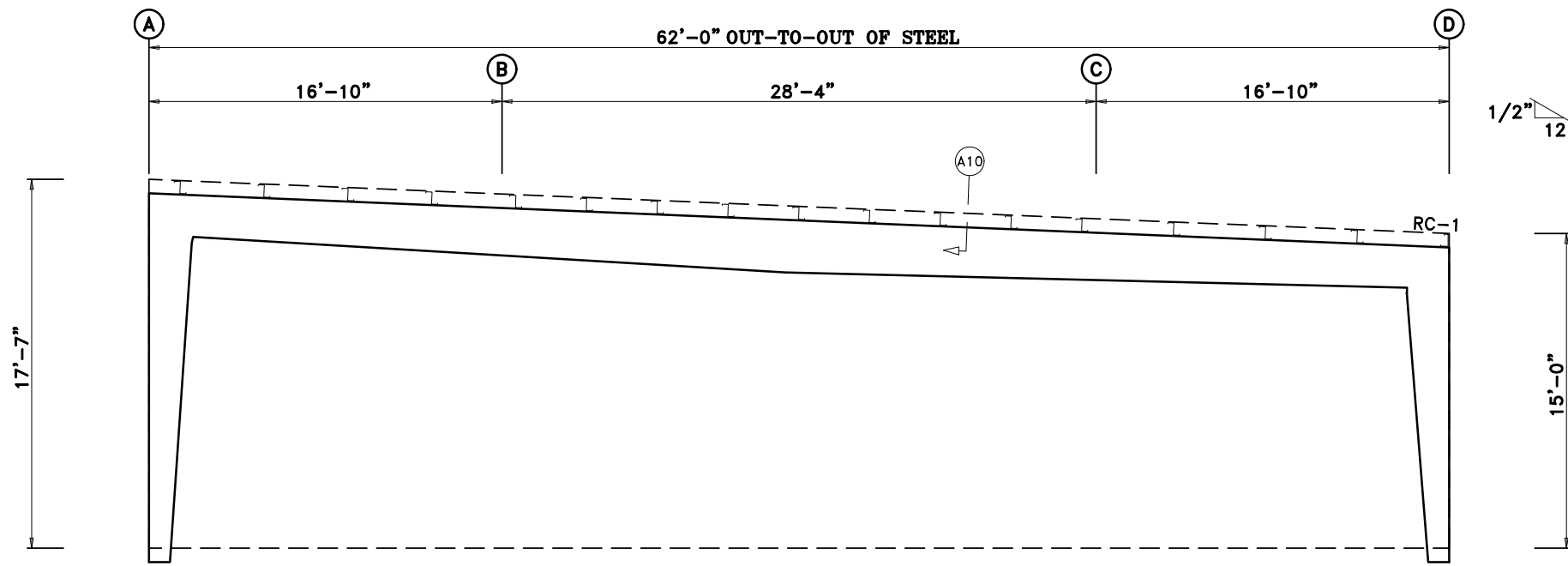
DATE: 10/13/25

DET:

JOB NO.: 25083

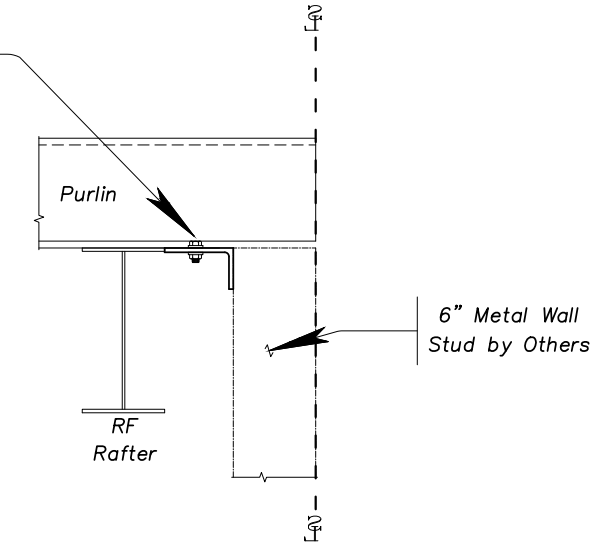
PG.: E-5

TRIM TABLE				
FRAME LINE 4				
ID	QUAN	PART	LENGTH	DETAIL
1	3	RAKER243	21'-1"	TRIM #15
2	7	RCF-80-0	10'-3"	TRIM #15

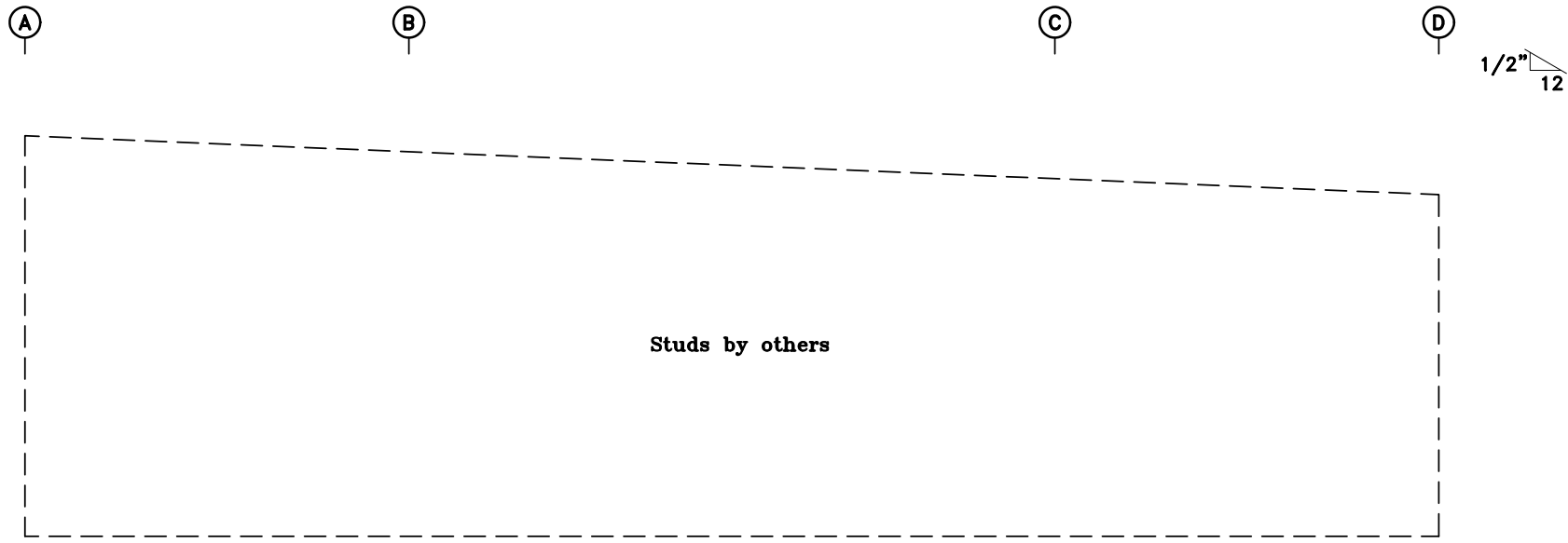


ENDWALL FRAMING: FRAME LINE 4

Provide a L5x3x<sup>5</sup>/<sub>16</sub> rake angle along endwalls; Attach angle to bottom of purlins with (1) 1/2"  $\phi$  A307 bolt;



3 Endwall Section and Rake Angle Connection Detail



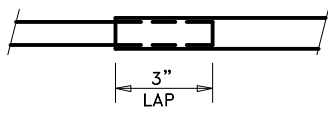
ENDWALL SHEETING & TRIM: FRAME LINE 4

**APPROVAL DRAWINGS**

- APPROVED AS DRAWN
- APPROVED AS NOTED
- NOT APPROVED

\_\_\_\_ INITIAL

Please Check And Approve All Dimensions And Conditions. STANDARD STRUCTURES Must Be Notified Of Any Changes.



**ALL TRIM LAPS ARE TO BE 3" LONG**

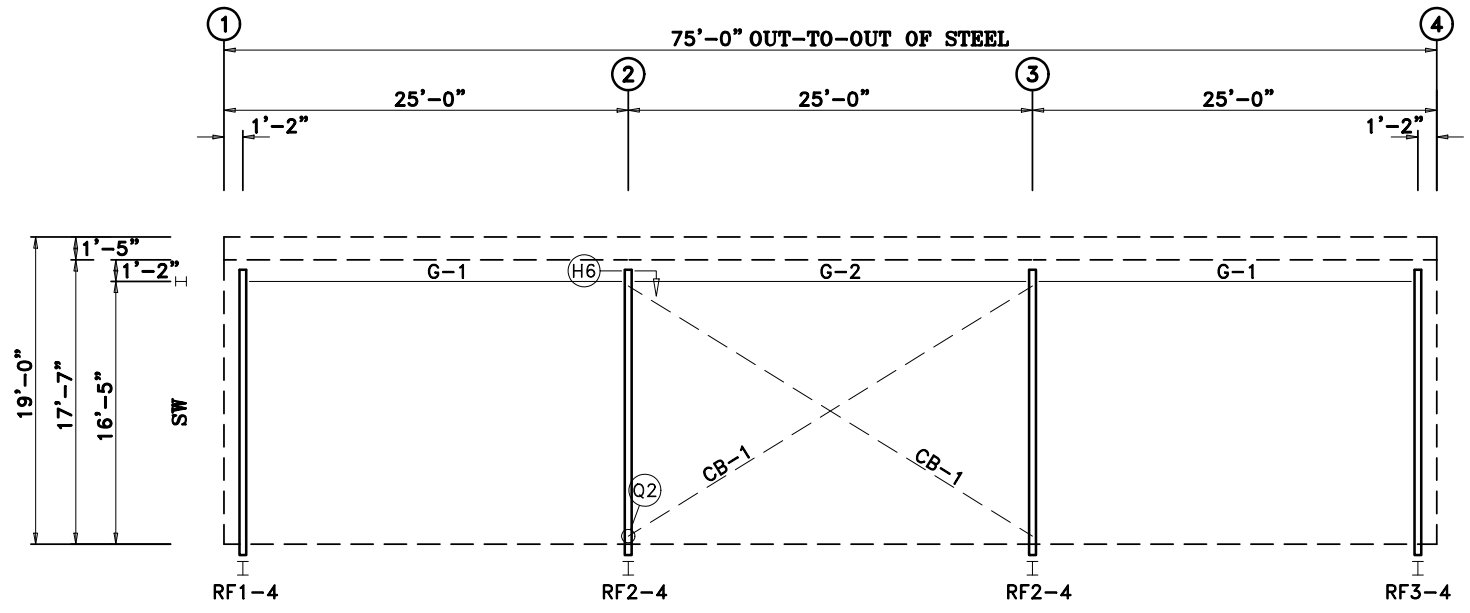
NOTE: If Trim Lap Is More Than 3" Long, The Trim May Not Cover The Required Coverage Length.

**SSI** STANDARD STRUCTURES INC.  
 MANUFACTURER OF METAL BUILDINGS & COMPONENTS  
 P.O. BOX 1912  
 ODESSA, TX. 79760  
 1-800-240-0335

**IAS**  
 ACCREDITED™  
 Metal Building Systems  
 AC 472

**APPROVAL & PERMIT**

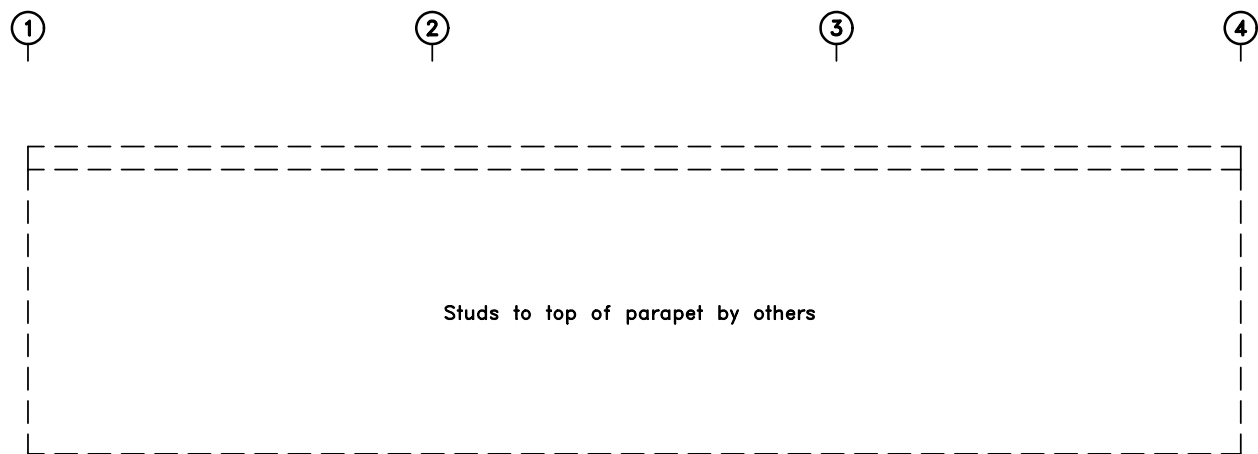
JOB NAME: NC Sturgeon			
PROJECT NAME: Rasi Shopping			
JOB LOCATION: Midland, TX 79706			
DRAWING TITLE: <b>ENDWALL DRAWING</b>			
DATE: 10/13/25	DET:	JOB NO.: 25083	PG.: E-6



**SIDEWALL FRAMING: FRAME LINE A**



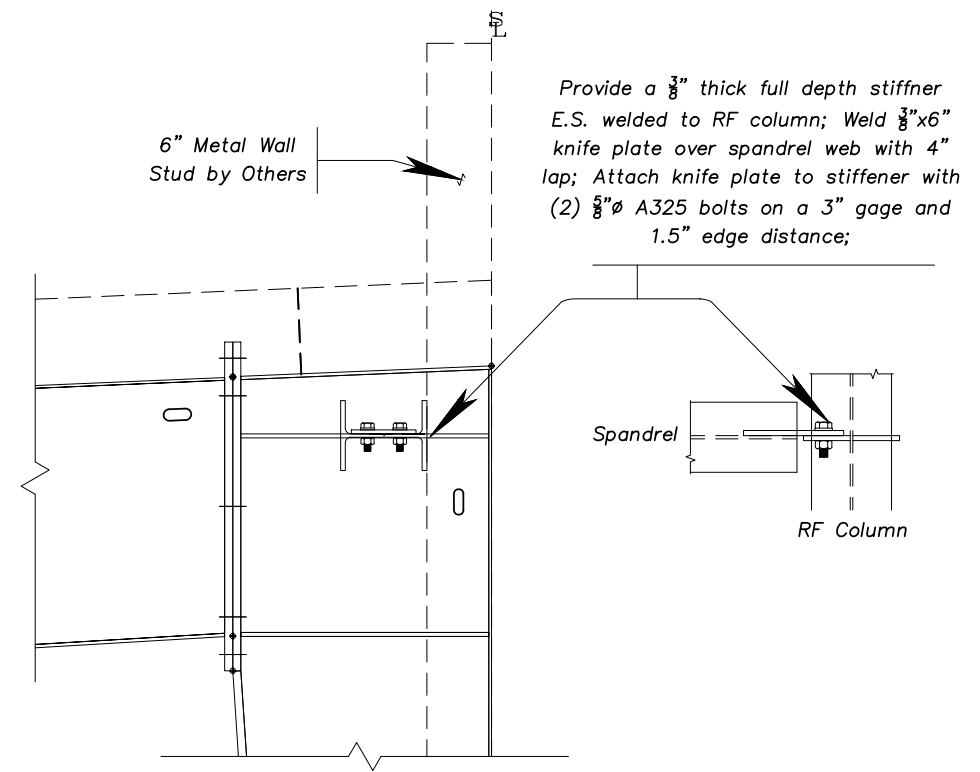
**PARAPET BACK SHEETING & TRIM: LINE A**



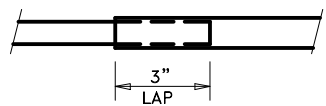
**SIDEWALL SHEETING & TRIM: FRAME LINE A**

TRIM TABLE FRAME LINE A				
ID	QUAN	PART	LENGTH	DETAIL
1	1	IA4X4W/H	1'-9"	TRIM #25
2	1	CAP8	1'-9"	TRIM #19
3	8	CAP8	9'-8"	TRIM #18

MEMBER TABLE FRAME LINE A				
QUAN	MARK	PART	LENGTH	
2	G-1	W8X21	23'-3 1/2"	
1	G-2	W8X21	24'-5 1/2"	
2	CB-1	5/16_CBL	28'-1"	



**4 Sidewall Section and Spandrel Connection Detail**



**ALL TRIM LAPS ARE TO BE 3" LONG**

NOTE: If Trim Lap Is More Than 3" Long, The Trim May Not Cover The Required Coverage Length.

**APPROVAL DRAWINGS**

APPROVED AS DRAWN  
 APPROVED AS NOTED  
 NOT APPROVED

\_\_\_\_ INITIAL

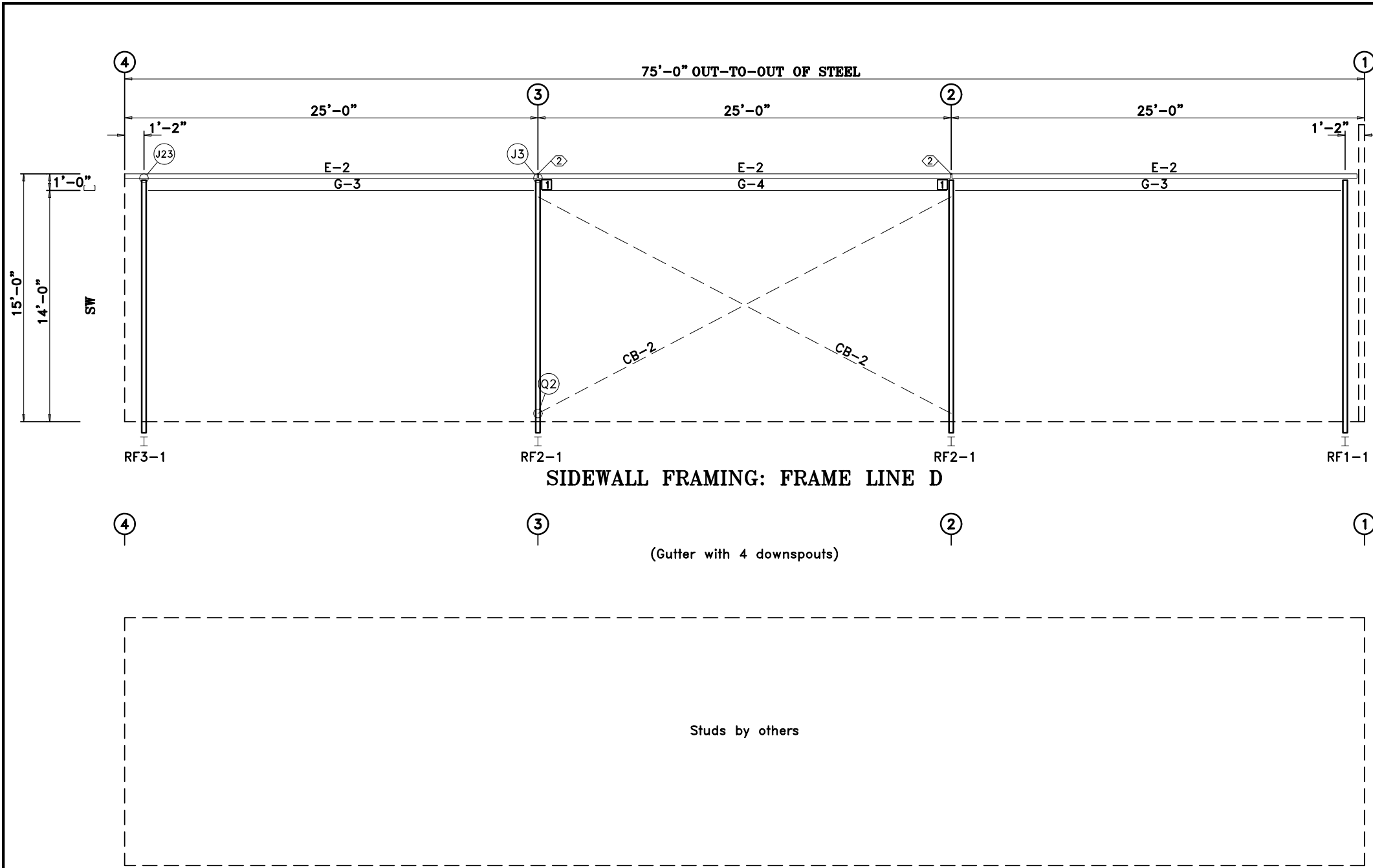
Please Check And Approve All Dimensions And Conditions. STANDARD STRUCTURES Must Be Notified Of Any Changes.

**SSI** STANDARD STRUCTURES INC.  
 MANUFACTURER OF METAL BUILDINGS & COMPONENTS  
 P.O. BOX 1912  
 ODESSA, TX. 79760  
 1-800-240-0335

**IAS**  
 ACCREDITED™  
 Metal Building Systems  
 AC 472

**APPROVAL & PERMIT**

JOB NAME: NC Sturgeon  
 PROJECT NAME: Rasi Shopping  
 JOB LOCATION: Midland, TX 79706  
 DRAWING TITLE: **SIDEWALL DRAWING**  
 DATE: 10/13/25    DET:    JOB NO.: 25083    PG.: E-7



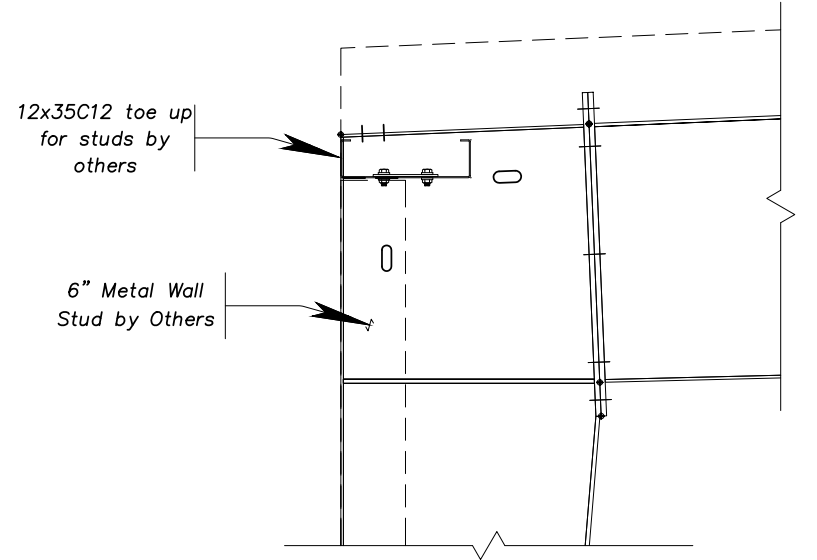
SIDEWALL SHEETING & TRIM: FRAME LINE D

TRIM TABLE				
FRAME LINE D				
ID	QUAN	PART	LENGTH	DETAIL
1	4	GUTT243	19'-0"	TRIM #5
2	8	ECF-80-0	10'-3"	TRIM #36
3	1	SGUTENDL	6"	
4	1	SCRNBX-L	6"	TRIM #16
5	1	SGUTENDR	6"	TRIM #16
6	1	SCRNBX-R	6"	TRIM #16

MEMBER TABLE				
FRAME LINE D				
QUAN	MARK	PART	LENGTH	
3	E-2	8LEDS14	24'-11 1/2"	
2	G-3	12x35C12	23'-3 1/2"	
1	G-4	12x35C12	24'-5 1/2"	
2	CB-2	3/8_CBL	26'-6"	

SPECIAL BOLTS					
ID	QUAN	TYPE	DIA	LENGTH	WASH
2	4	A325	1/2"	1 1/4"	0

CONNECTION PLATES		
FRAME LINE D		
ID	QUAN	MARK/PART
1	2	EEP-2



5 Sidewall Section and Spandrel Connection Detail

**ALL TRIM LAPS ARE TO BE 3" LONG**

NOTE: If Trim Lap Is More Than 3" Long, The Trim May Not Cover The Required Coverage Length.

### APPROVAL DRAWINGS

APPROVED AS DRAWN  
 APPROVED AS NOTED  
 NOT APPROVED

\_\_\_\_ INITIAL

Please Check And Approve All Dimensions And Conditions. STANDARD STRUCTURES Must Be Notified Of Any Changes.

**SSI** STANDARD STRUCTURES INC.  
 MANUFACTURER OF METAL BUILDINGS & COMPONENTS  
 P.O. BOX 1912  
 ODESSA, TX. 79760  
 1-800-240-0335

**IAS**  
 ACCREDITED™  
 Metal Building Systems  
 AC 472

### APPROVAL & PERMIT

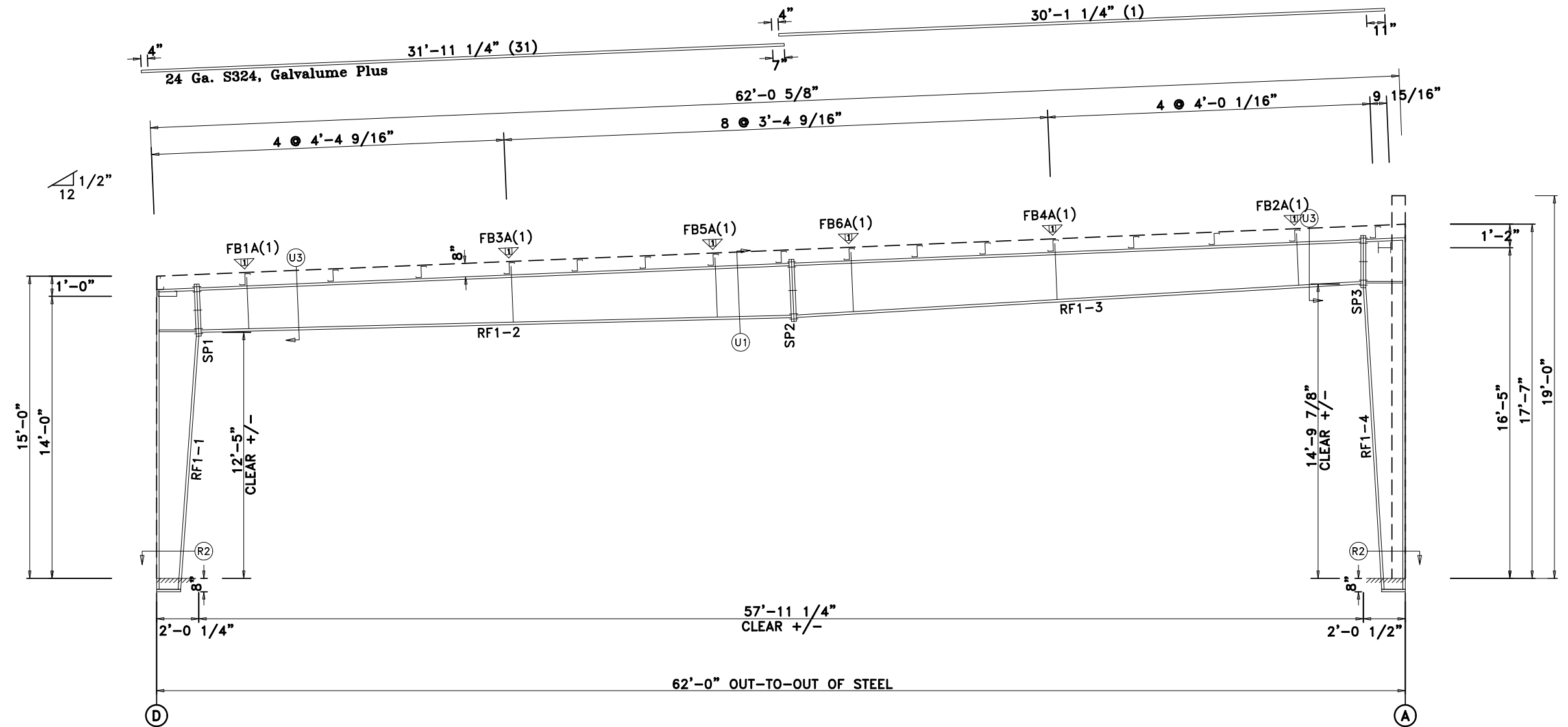
JOB NAME: NC Sturgeon  
 PROJECT NAME: Rasi Shopping  
 JOB LOCATION: Midland, TX 79706  
 DRAWING TITLE: *SIDEWALL DRAWING*  
 DATE: 10/13/25 DET: JOB NO.: 25083 PG.: E-8

SPLICE PLATE & BOLT TABLE									
Mark	Qty		Int	Type	Dia	Length	Width	Thick	Length
	Top	Bot							
SP1	4	4	2	A325	3/4"	2"	6"	1/2"	2'-6 1/2"
SP2	4	4	2	A325	3/4"	2"	6"	1/2"	3'-0 1/2"
SP3	4	4	2	A325	3/4"	2 1/2"	6"	3/4"	2'-6 1/2"

MEMBER TABLE								
Mark	Web Depth		Web Plate		Outside Flange		Inside Flange	
	Start	End	Thick	Length	W x Thk x Length	W x Thk x Length		
RF1-1	11.3	23.5	0.188	153.5	6 x 1/4" x 179.4	6 x 1/2" x 153.9		
RF1-2	23.5	22.4	0.250	26.8	6 x 1/4" x 22.6	6 x 1/4" x 354.6		
	23.5	25.4	0.188	114.5	6 x 5/16" x 354.5			
RF1-3	25.4	29.5	0.188	240.0	6 x 1/4" x 340.2	6 x 5/16" x 339.3		
	29.5	27.7	0.188	100.2				
RF1-4	27.7	23.5	0.188	240.0	6 x 5/16" x 23.8	6 x 3/4" x 182.7		
	23.5	11.0	0.250	210.4				

FLANGE BRACES: Both Sides(U.N.)  
 FBxxA(1)  
 A - F2X2X14g

CONNECTION PLATES		
ID	Qty	Mark/Part
1	6	FBEXT8



RIGID FRAME SECTION: FRAME LINE 1

**APPROVAL DRAWINGS**

- APPROVED AS DRAWN
- APPROVED AS NOTED
- NOT APPROVED

\_\_\_\_ INITIAL

Please Check And Approve All Dimensions  
 And Conditions. STANDARD STRUCTURES  
 Must Be Notified Of Any Changes.



MANUFACTURER OF METAL BUILDINGS & COMPONENTS  
 P.O. BOX 1912  
 ODESSA, TX. 79760  
 1-800-240-0335



ACCREDITED™  
 Metal Building Systems  
 AC 472

**APPROVAL & PERMIT**

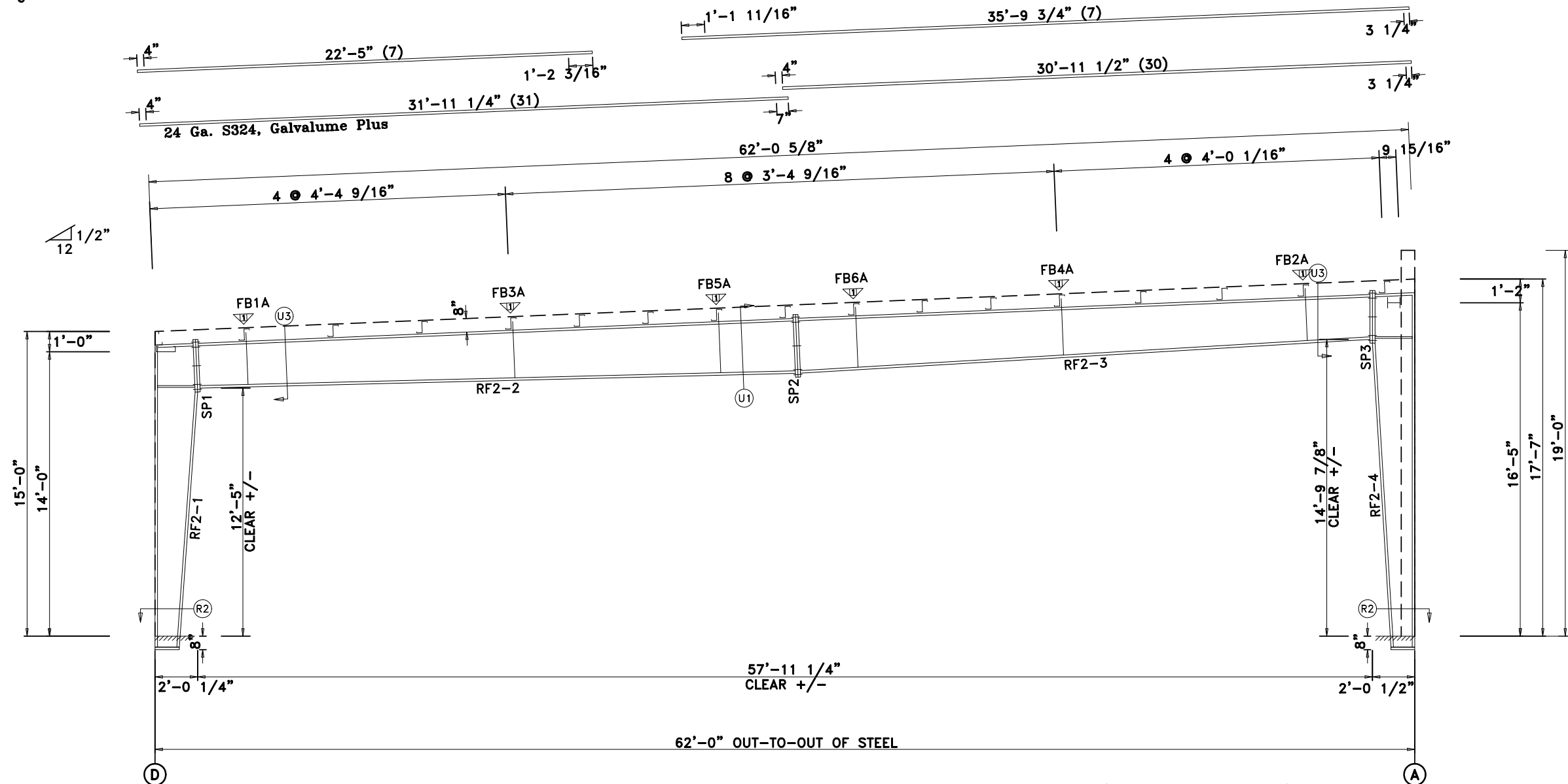
JOB NAME:	NC Sturgeon
PROJECT NAME:	Rasi Shopping
JOB LOCATION:	Midland, TX 79706
DRAWING TITLE:	RIGID FRAME SECTION
DATE:	10/13/25
DET:	
JOB NO.:	25083
PG.:	E-9

SPLICE PLATE & BOLT TABLE										
Mark	Qty		Int	Type	Dia	Length	Width	Thick	Length	
	Top	Bot								
SP1	4	4	2	A325	3/4"	2"	6"	1/2"	2'-6"	1/2"
SP2	4	4	2	A325	3/4"	2"	6"	1/2"	3'-0"	1/2"
SP3	4	4	2	A325	3/4"	2 1/2"	6"	3/4"	2'-6"	1/2"

MEMBER TABLE										
Mark	Web Depth		Web Plate		Outside Flange			Inside Flange		
	Start	End	Thick	Length	W	Thk	Length	W	Thk	Length
RF2-1	11.3	23.5	0.188	153.5	6	1/4"	x 179.4	6	1/2"	x 153.9
RF2-2	23.5	22.4	0.250	26.8	6	1/4"	x 22.6	6	1/4"	x 354.6
	23.5	25.4	0.188	114.5	6	5/16"	x 354.5			
RF2-3	25.4	29.5	0.188	240.0	6	1/4"	x 340.2	6	5/16"	x 339.3
	29.5	27.7	0.188	100.2						
RF2-4	27.7	23.5	0.188	240.0	6	1/4"	x 210.4	6	3/4"	x 182.7
	23.5	11.0	0.250	210.4						

FLANGE BRACES: Both Sides(U.N.)  
 FBxxA(1)  
 A - F2X2X14g

CONNECTION PLATES		
ID	Qty	Mark/Part
1	6	FBEXT8



RIGID FRAME SECTION: FRAME LINE 2 3

**APPROVAL DRAWINGS**

- APPROVED AS DRAWN
- APPROVED AS NOTED
- NOT APPROVED

\_\_\_\_ INITIAL

Please Check And Approve All Dimensions  
 And Conditions. STANDARD STRUCTURES  
 Must Be Notified Of Any Changes.

**SSI** STANDARD STRUCTURES INC.  
 MANUFACTURER OF METAL BUILDINGS & COMPONENTS

P.O. BOX 1912  
 ODESSA, TX. 79760  
 1-800-240-0335



ACCREDITED™  
 Metal Building Systems  
 AC 472

**APPROVAL & PERMIT**

JOB NAME: NC Sturgeon

PROJECT NAME: Rasi Shopping

JOB LOCATION: Midland, TX 79706

DRAWING TITLE: RIGID FRAME SECTION

DATE: 10/13/25

DET:

JOB NO.: 25083

PG.: E-10

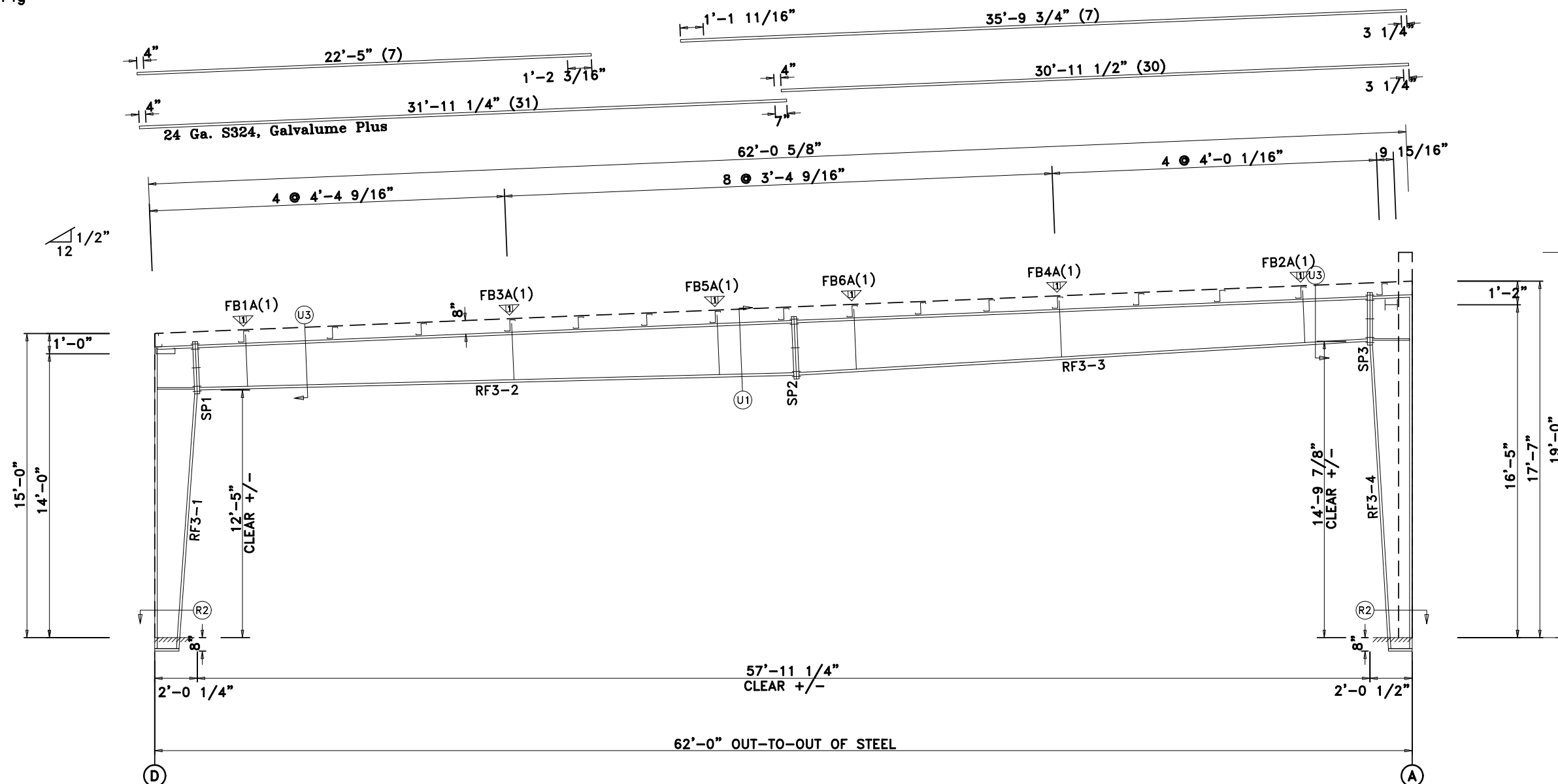
SPLICE PLATE & BOLT TABLE										
Mark	Qty		Int	Type	Dia	Length	Width	Thick	Length	
	Top	Bot								
SP1	4	4	2	A325	3/4"	2"	6"	1/2"	2'-6"	1/2"
SP2	4	4	2	A325	3/4"	2"	6"	1/2"	3'-0"	1/2"
SP3	4	4	2	A325	3/4"	2 1/2"	6"	3/4"	2'-6"	1/2"

MEMBER TABLE										
Mark	Web Depth		Web Plate		Outside Flange			Inside Flange		
	Start	End	Thick	Length	W	Thk	Length	W	Thk	Length
RF3-1	11.3	23.5	0.188	153.5	6	1/4"	x 179.4	6	1/2"	x 153.9
RF3-2	23.5	22.4	0.250	26.8	6	1/4"	x 22.6	6	1/4"	x 354.6
	23.5	25.4	0.188	114.5	6	5/16"	x 354.5			
RF3-3	25.4	29.5	0.188	240.0	6	1/4"	x 340.2	6	5/16"	x 339.3
	29.5	27.7	0.188	100.2						
RF3-4	27.7	23.5	0.188	240.0	6	1/4"	x 210.4	6	3/4"	x 182.7
	23.5	11.0	0.250	210.4						

FLANGE BRACES: Both Sides(U.N.)  
 FBxxA(1)  
 A - F2X2X14g

CONNECTION PLATES

ID	Qty	Mark/Part
1	6	FBEXT8



RIGID FRAME SECTION: FRAME LINE 4

APPROVAL DRAWINGS

- APPROVED AS DRAWN
- APPROVED AS NOTED
- NOT APPROVED

\_\_\_\_ INITIAL

Please Check And Approve All Dimensions  
 And Conditions. STANDARD STRUCTURES  
 Must Be Notified Of Any Changes.

**SSI** STANDARD STRUCTURES INC.  
 MANUFACTURER OF METAL BUILDINGS & COMPONENTS

P.O. BOX 1912  
 ODESSA, TX. 79760  
 1-800-240-0335



ACCREDITED™  
 Metal Building Systems  
 AC 472

APPROVAL & PERMIT

JOB NAME: NC Sturgeon  
 PROJECT NAME: Rasi Shopping  
 JOB LOCATION: Midland, TX 79706

DRAWING TITLE: RIGID FRAME SECTION

DATE: 10/13/25 DET: JOB NO.: 25083 PG.: E-11