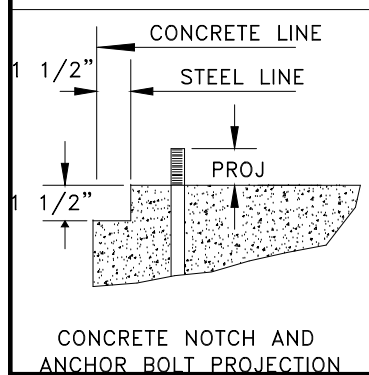
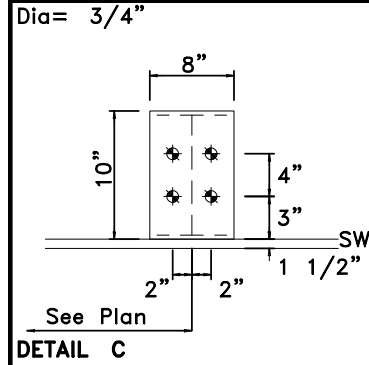
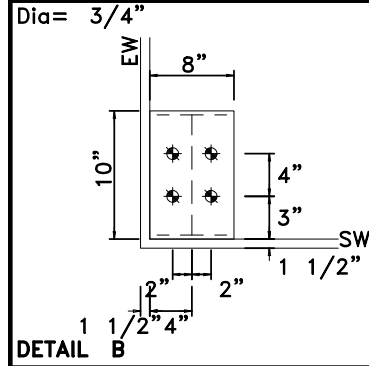
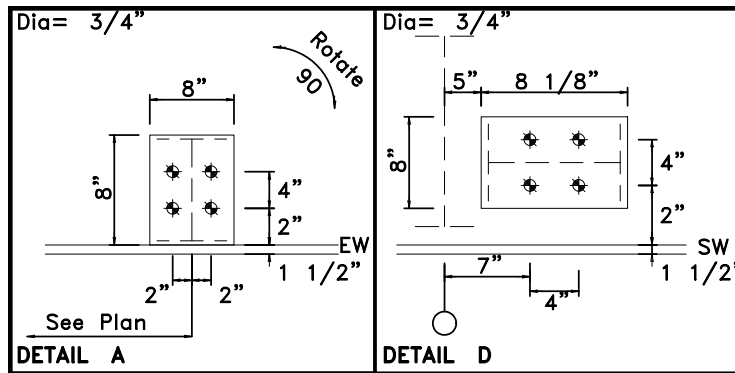


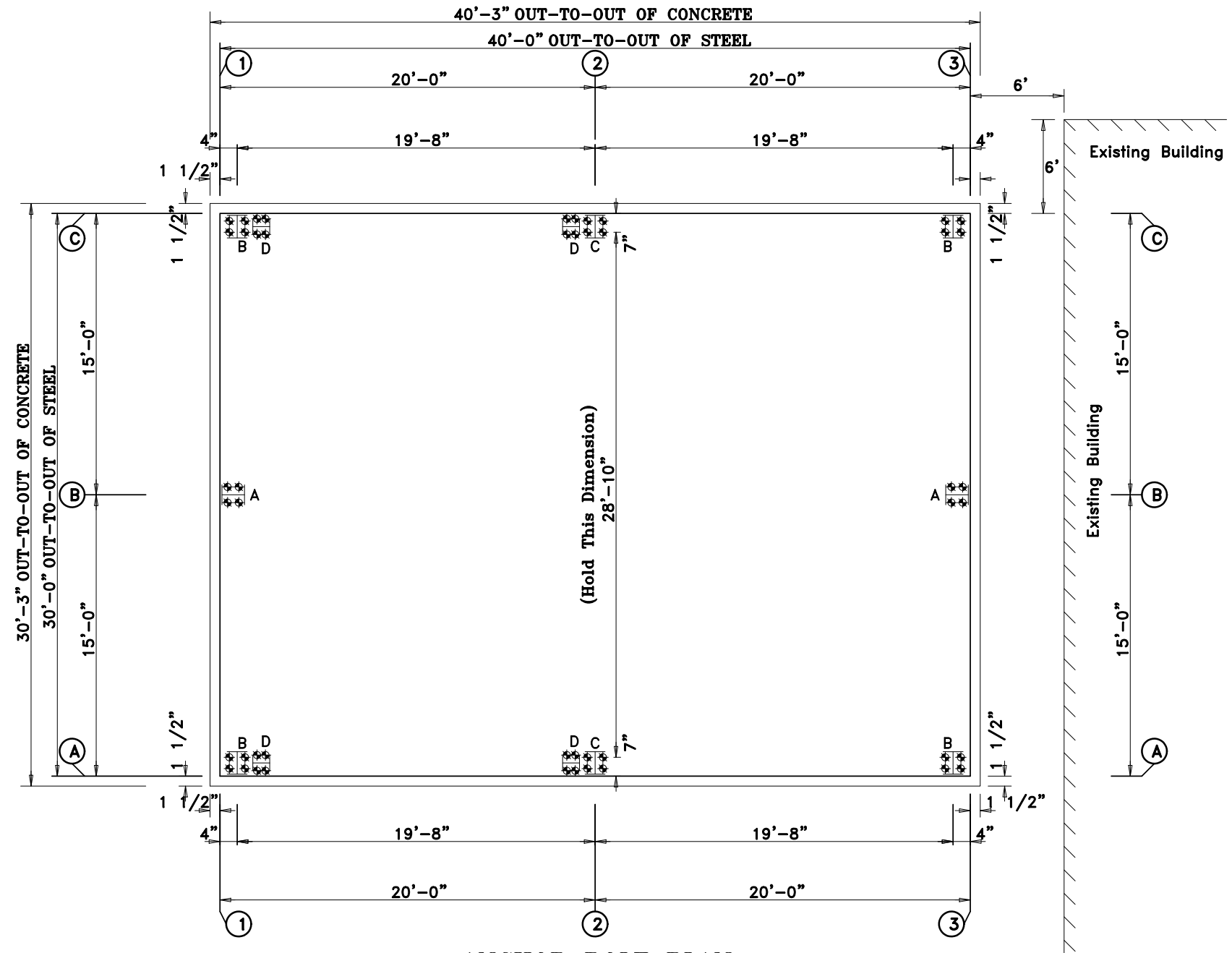
Standard Structures, Inc.

Job# 25089  
Final Design



**ANCHOR BOLT SUMMARY**

Qty	Locate	Dia (in)	Type	Proj (in)
8	Endwall	3/4"	A307	2.00
24	Frame	3/4"	A307	2.00
16	WindCol	3/4"	A307	2.00



**ANCHOR BOLT PLAN**  
NOTE: All Base Plates @ 100'-0" (U.N.)

**APPROVAL DRAWINGS**

APPROVED AS DRAWN  
 APPROVED AS NOTED  
 NOT APPROVED

\_\_\_\_ INITIAL

Please Check And Approve All Dimensions And Conditions. STANDARD STRUCTURES Must Be Notified Of Any Changes.

**SSI** STANDARD STRUCTURES INC.  
 MANUFACTURER OF METAL BUILDINGS & COMPONENTS  
 P.O. BOX 1912  
 ODESSA, TX. 79760  
 1-800-240-0335

**IAS**  
 ACCREDITED™  
 Metal Building Systems  
 AC 472

**APPROVAL & PERMIT**

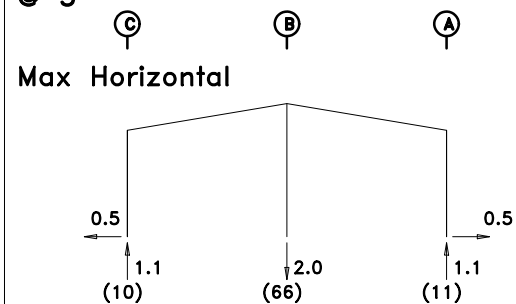
JOB NAME: Trend Builders  
 PROJECT NAME: Mescalero Fire Department  
 JOB LOCATION: Mescalero, NM 88340  
 DRAWING TITLE: ANCHOR BOLT PLAN  
 DATE: 10/28/25    DET:    JOB NO.: 25089    PG.: E-1

**NOTES FOR REACTIONS**

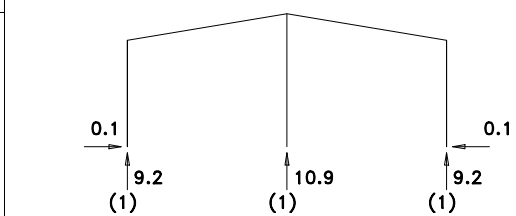
Building reactions are based on the following building data:  
 Width (ft) = 30.0  
 Length (ft) = 40.0  
 Eave Height (ft) = 10.0 / 10.0  
 Roof Slope (rise/12) = 2.00 / 2.00  
 Roof Dead Load (psf) = 3.0  
 Roof Live Load (psf) = 20.0  
 Frame Live Load (psf) = 14.4  
 Collateral Load (psf) = 1.0  
 Snow Load (psf) = 30.2  
 Wind Speed (mph) = 116.0  
 Wind Code = 2021 IBC  
 Exposure = C  
 Closure = Enclosed  
 Internal Wind Coeff = -0.18, +0.18  
 Risk Category = IV - Post  
 Importance - Seismic = 1.50  
 Seismic Design Category = C  
 Seismic Coeff (Sms) = 0.41

**RIGID FRAME REACTIONS (k )**

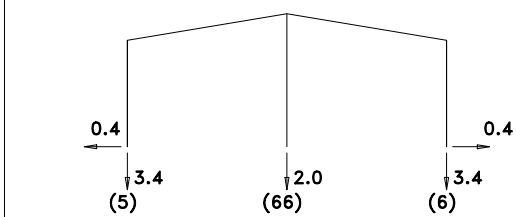
⊙ 3



**Max +Vertical**



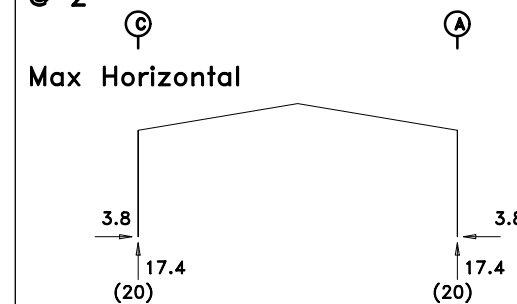
**Max -Vertical**



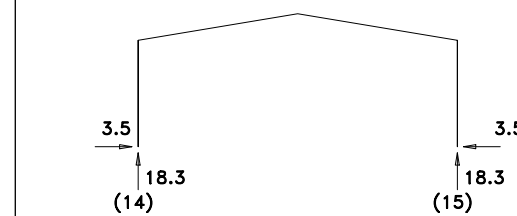
- (1) Dead+Collateral+Snow+Snow\_Drift
- (5) 0.6Dead+0.6Wind\_Left1
- (6) 0.6Dead+0.6Wind\_Right1
- (10) 1.04Dead+1.04Collateral+0.7Seismic\_Left
- (11) 1.04Dead+1.04Collateral+0.7Seismic\_Right
- (66) 0.6Dead+0.6Wind\_Long2L

**RIGID FRAME REACTIONS (k )**

⊙ 2



**Max +Vertical**



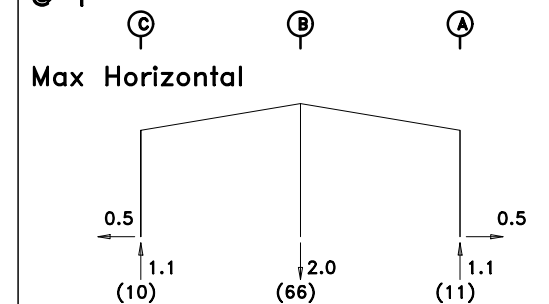
**Max -Vertical**



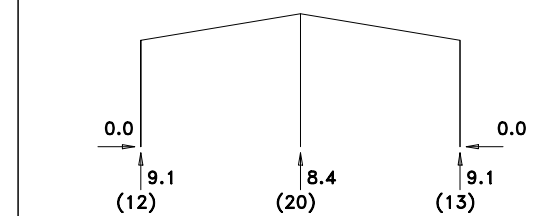
- (5) 0.6Dead+0.6Wind\_Left1
- (6) 0.6Dead+0.6Wind\_Right1
- (14) Dead+Collateral+F2UNB\_SL\_L
- (15) Dead+Collateral+F2UNB\_SL\_R
- (20) Dead+Collateral+Snow

**RIGID FRAME REACTIONS (k )**

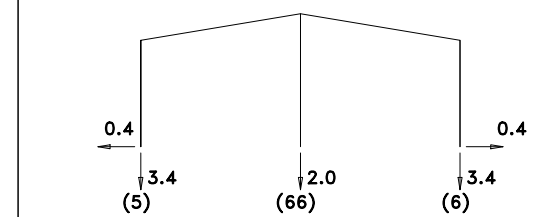
⊙ 1



**Max +Vertical**

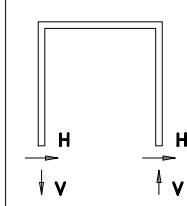


**Max -Vertical**



- (5) 0.6Dead+0.6Wind\_Left1
- (6) 0.6Dead+0.6Wind\_Right1
- (10) 1.04Dead+1.04Collateral+0.7Seismic\_Left
- (11) 1.04Dead+1.04Collateral+0.7Seismic\_Right
- (12) Dead+Collateral+F1UNB\_SL\_L
- (13) Dead+Collateral+F1UNB\_SL\_R
- (20) Dead+Collateral+Snow
- (66) 0.6Dead+0.6Wind\_Long2L

**WIND BENT REACTIONS**



Wall Loc	Line	Col Line	± Reactions (k )			
			0.6Wind Horz	0.6Wind Vert	Seismic Horz	Seismic Vert
F_SW	A	1	0.5	0.5	1.1	1.0
F_SW	A	2	0.5	0.5	1.1	1.0
B_SW	C	2	0.5	0.5	1.1	1.0
B_SW	C	1	0.5	0.5	1.1	1.0

**BUILDING BRACING REACTIONS**

Wall Loc	Line	Col Line	± Reactions(k )				Panel Shear (lb/ft)
			0.6Wind Horz	0.6Wind Vert	Seismic Horz	Seismic Vert	
L_EW	1						Rigid frame at endwall
F_SW	A	1,2					Wind bent in bay
R_EW	3						Rigid frame at endwall
B_SW	C	1,2					Wind bent in bay

**APPROVAL DRAWINGS**

- APPROVED AS DRAWN
- APPROVED AS NOTED
- NOT APPROVED

\_\_\_\_ INITIAL

Please Check And Approve All Dimensions And Conditions. STANDARD STRUCTURES Must Be Notified Of Any Changes.

**SSI** STANDARD STRUCTURES INC.

MANUFACTURER OF METAL BUILDINGS & COMPONENTS

P.O. BOX 1912  
 ODESSA, TX. 79760  
 1-800-240-0335



ACCREDITED™  
 Metal Building Systems  
 AC 472

**APPROVAL & PERMIT**

JOB NAME: Trend Builders

PROJECT NAME: Mescalero Fire Department

JOB LOCATION: Mescalero, NM 88340

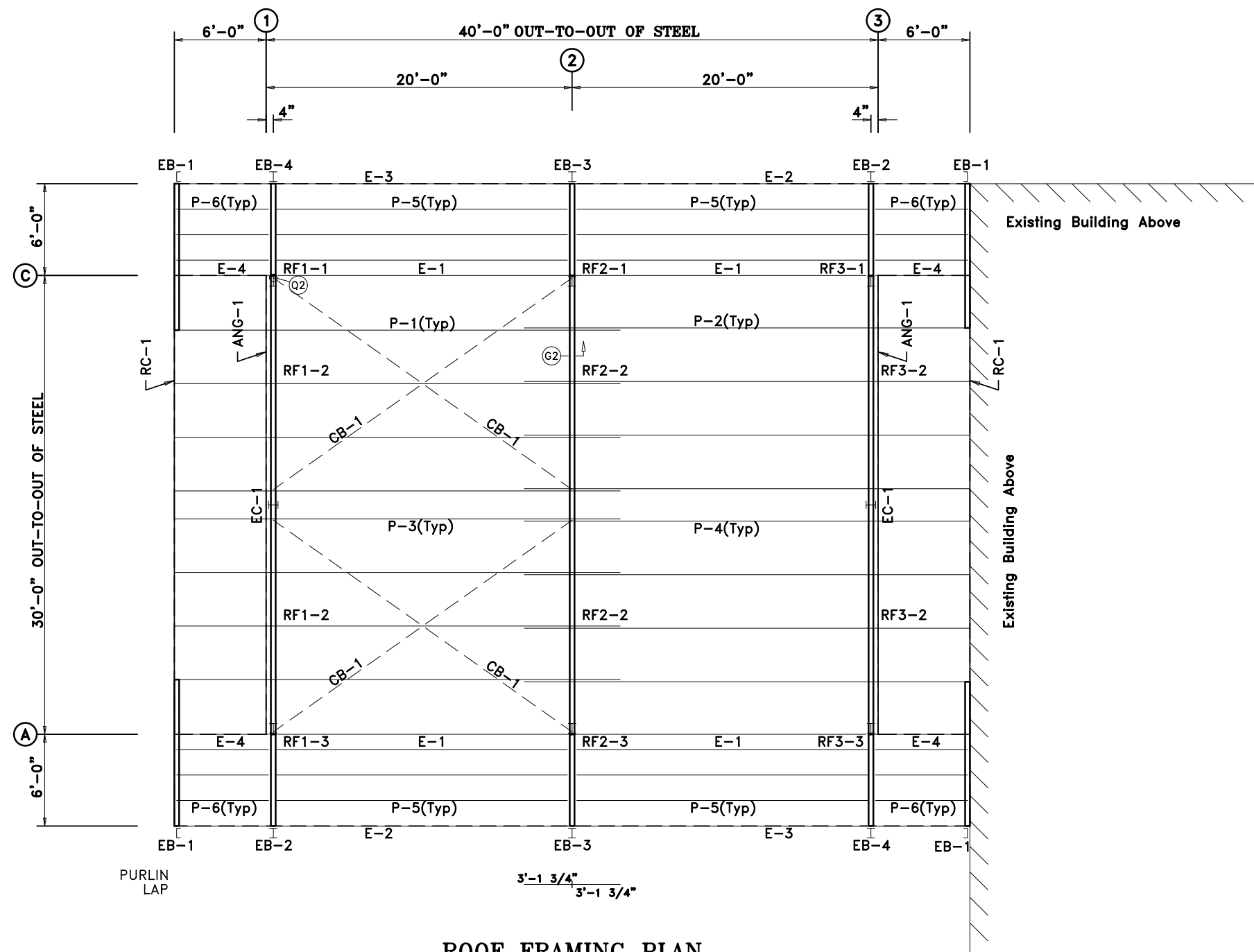
DRAWING TITLE: ANCHOR BOLT REACTIONS

DATE: 10/28/25

DET:

JOB NO.: 25089

PG.: E-2



ROOF FRAMING PLAN

EXTENSION/CANOPY BOLTS				
ROOF PLAN				
MARK	QUAN	TYPE	DIA	LENGTH
EB-2	8	A325	1/2"	1 1/2"
EB-3	8	A325	1/2"	1 1/2"
EB-4	8	A325	1/2"	1 1/2"

MEMBER TABLE				
ROOF PLAN				
QUAN	MARK	PART	LENGTH	
4	EB-1	8X35CH12	9'-2 3/8"	
2	EB-2	W8X18	9'-3"	
2	EB-3	W8X18	9'-3"	
2	EB-4	W8X18	9'-3"	
4	P-1	8x25Z16	29'-1 1/2"	
4	P-2	8x25Z12	29'-1 1/2"	
4	P-3	8x25Z16	29'-1 1/2"	
4	P-4	8x25Z12	29'-1 1/2"	
12	P-5	8x25Z16	19'-2 1/4"	
12	P-6	8x25Z16	6'-0 7/8"	
4	E-1	82LEDS14	19'-2 1/4"	
2	E-2	C8x11.5	25'-8 7/8"	
2	E-3	C8x11.5	25'-8 7/8"	
4	E-4	82LEDS14	6'-0 7/8"	
4	CB-1	1/4_CBL	22'-8"	

**APPROVAL DRAWINGS**

- APPROVED AS DRAWN
- APPROVED AS NOTED
- NOT APPROVED

\_\_\_\_ INITIAL

Please Check And Approve All Dimensions  
And Conditions. STANDARD STRUCTURES  
Must Be Notified Of Any Changes.

**SSI** STANDARD STRUCTURES INC.  
MANUFACTURER OF METAL BUILDINGS & COMPONENTS  
P.O. BOX 1912  
ODESSA, TX. 79760  
1-800-240-0335

**IAS**  
ACCREDITED™  
Metal Building Systems  
AC 472

**APPROVAL & PERMIT**

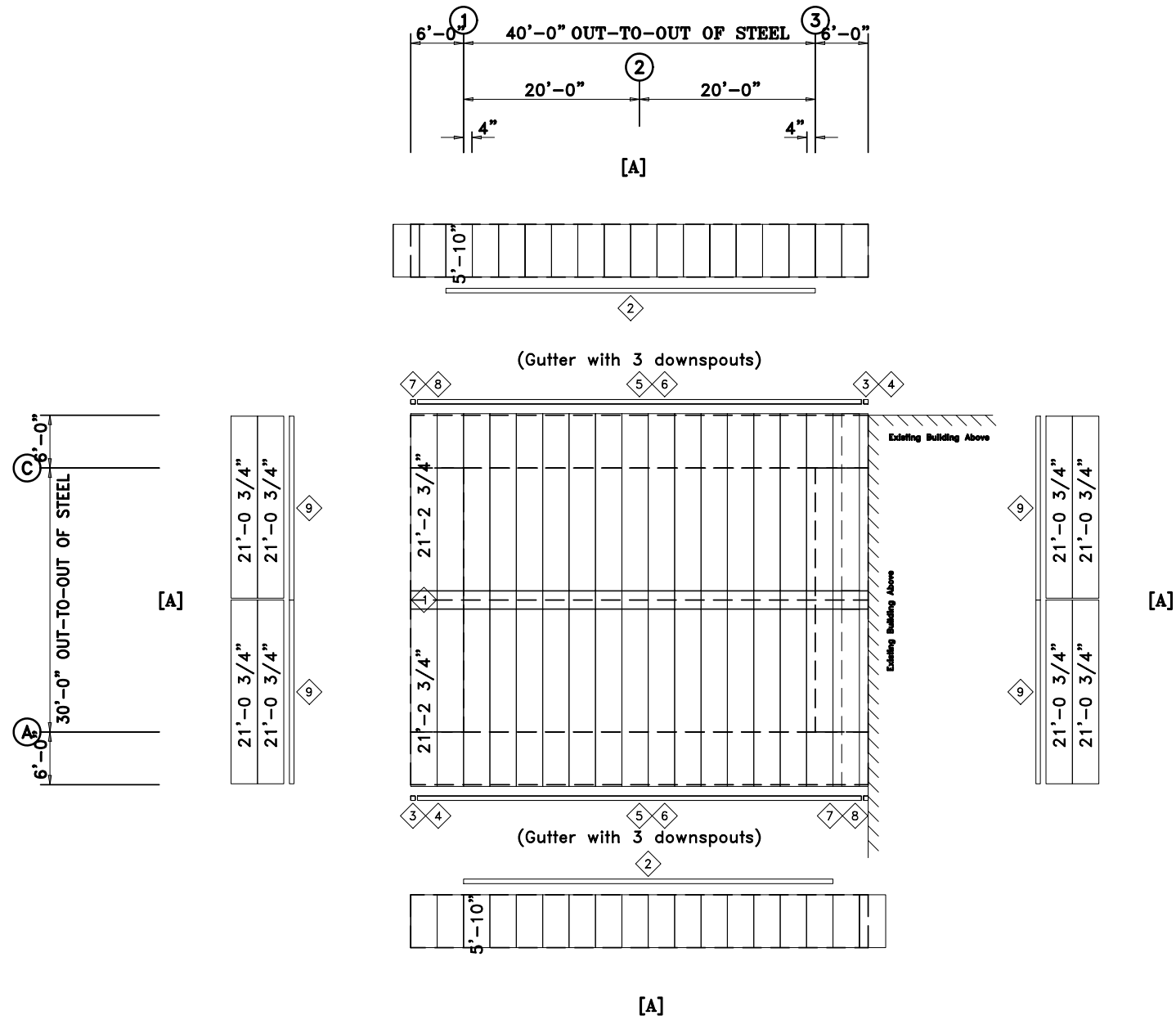
JOB NAME: Trend Builders  
PROJECT NAME: Mescalero Fire Department

JOB LOCATION: Mescalero, NM 88340

DRAWING TITLE: ROOF FRAMING PLAN

DATE: 10/28/25    DET:    JOB NO.: 25089    PG.: E-3

TRIM TABLE				
ROOF PLAN				
ID	QUAN	PART	LENGTH	DETAIL
1	18	PEAK 26R	3'-0"	TRIM #1
2	2	HEADM-X	20'-2"	TRIM #281
3	1	SGUTENDL	6"	TRIM #16
4	1	SCRNBX-L	6"	TRIM #16
5	3	GUTT243	17'-6"	TRIM #27
6	6	ECF-82-O	10'-3"	TRIM #28
7	1	SGUTENDR	6"	TRIM #16
8	1	SCRNBX-R	6"	TRIM #16
9	1	HEADR243	15'-7"	TRIM #87



**ROOF SHEETING PLAN**

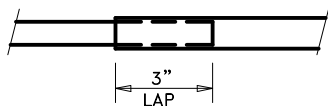
PANELS: 26 Ga. PBR - Emerald Green  
 [A] SOFFIT PANELS: 26 Ga. PBM - Emerald Green

**APPROVAL DRAWINGS**

- APPROVED AS DRAWN
- APPROVED AS NOTED
- NOT APPROVED

\_\_\_\_ INITIAL

Please Check And Approve All Dimensions  
 And Conditions. STANDARD STRUCTURES  
 Must Be Notified Of Any Changes.



**ALL TRIM LAPS ARE TO BE 3" LONG**

NOTE: If Trim Lap Is More Than 3" Long, The Trim May Not Cover The Required Coverage Length.

**SSI** STANDARD STRUCTURES INC.  
 MANUFACTURER OF METAL BUILDINGS & COMPONENTS  
 P.O. BOX 1912  
 ODESSA, TX. 79760  
 1-800-240-0335

**IAS**  
 ACCREDITED™  
 Metal Building Systems  
 AC 472

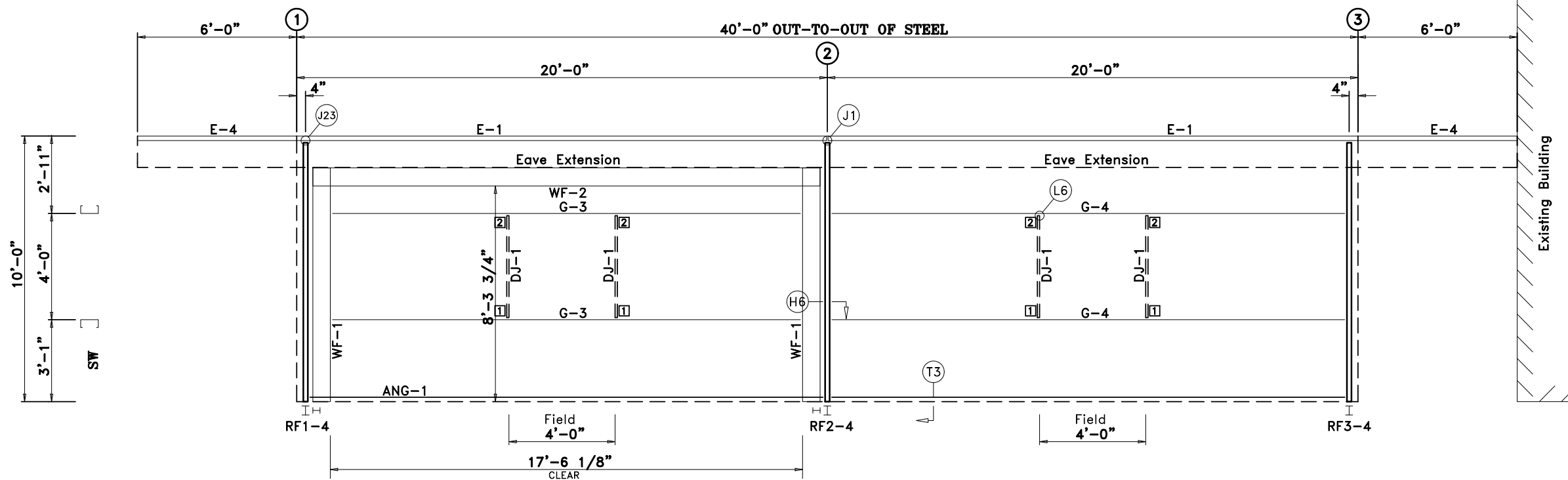
**APPROVAL & PERMIT**

JOB NAME: Trend Builders  
 PROJECT NAME: Mescalero Fire Department

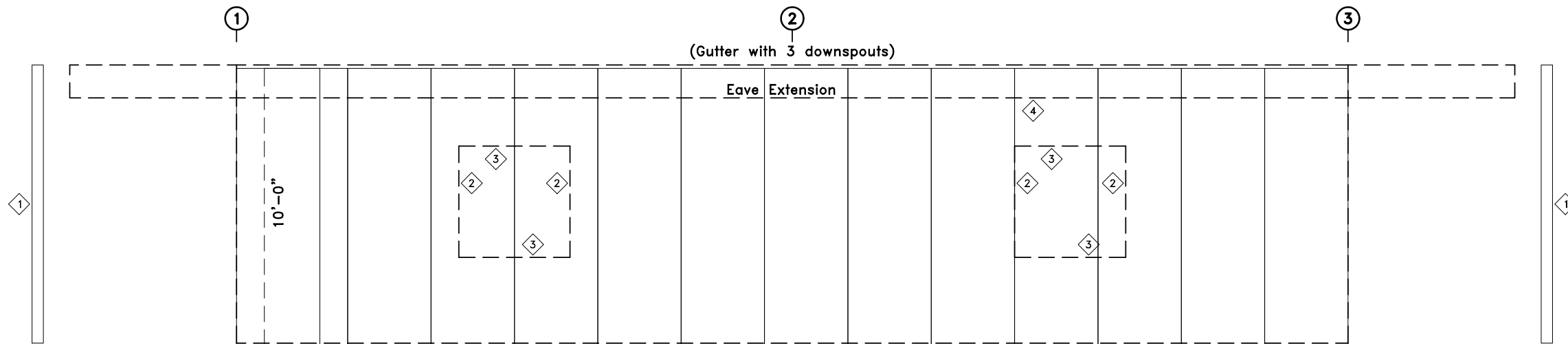
JOB LOCATION: Mescalero, NM 88340

DRAWING TITLE: *ROOF FRAMING PLAN*

DATE: 10/28/25    DET:    JOB NO.: 25089    PG.: E-4



**SIDEWALL FRAMING: FRAME LINE A**



**SIDEWALL SHEETING & TRIM: FRAME LINE A**

PANELS: 26 Ga. PBR - Colony Green

TRIM TABLE				
FRAME LINE A				
ID	QUAN	PART	LENGTH	DETAIL
1	2	CRNTR243	10'-1"	TRIM #2
2	4	JMBTR243	4'-4"	TRIM #6
3	4	HEADR243	4'-4"	TRIM #8
4	2	HEADM-X	20'-2"	TRIM #281

BOLT TABLE				
FRAME LINE A				
LOCATION	QUAN	TYPE	DIA	LENGTH
WF-1 - WF-2	8	A325	5/8"	1 3/4"
WF-1 - RF1-3	4	A325	3/4"	1 1/2"
WF-1 - RF2-3	4	A325	3/4"	1 1/2"

MEMBER TABLE				
FRAME LINE A				
QUAN	MARK	PART	LENGTH	
2	WF-1	W8X18	8'-11	7/8"
1	WF-2	W8X18	17'-5	1/2"
4	DJ-1	8x35C16	3'-11	1/2"
2	E-1	82LEDS14	19'-2	1/4"
2	E-4	82LEDS14	6'-0	7/8"
2	G-3	8x25C16	17'-4	5/8"
2	G-4	8x25C16	19'-3	1/2"

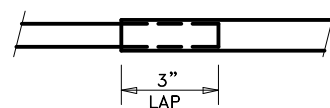
CONNECTION PLATES				
FRAME LINE A				
ID	QUAN	MARK/PART		
1	4	C-5		
2	4	j1		

**APPROVAL DRAWINGS**

- APPROVED AS DRAWN
- APPROVED AS NOTED
- NOT APPROVED

\_\_\_\_ INITIAL

Please Check And Approve All Dimensions  
And Conditions. STANDARD STRUCTURES  
Must Be Notified Of Any Changes.



**ALL TRIM LAPS ARE TO BE 3" LONG**

NOTE: If Trim Lap Is More Than 3" Long, The Trim May Not Cover The Required Coverage Length.

**SSI** STANDARD STRUCTURES INC.  
MANUFACTURER OF METAL BUILDINGS & COMPONENTS

P.O. BOX 1912  
ODESSA, TX. 79760  
1-800-240-0335



ACCREDITED™  
Metal Building Systems  
AC 472

**APPROVAL & PERMIT**

JOB NAME: Trend Builders

PROJECT NAME: Mescalero Fire Department

JOB LOCATION: Mescalero, NM 88340

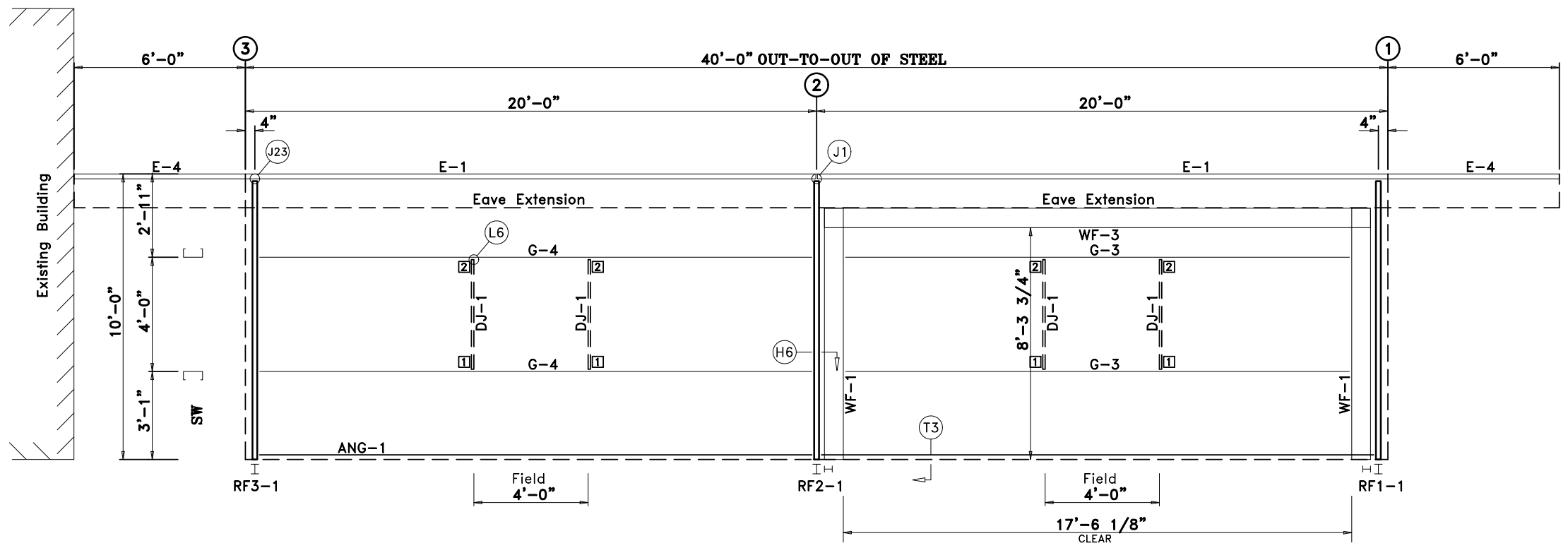
DRAWING TITLE: *SIDEWALL DRAWING*

DATE: 10/28/25

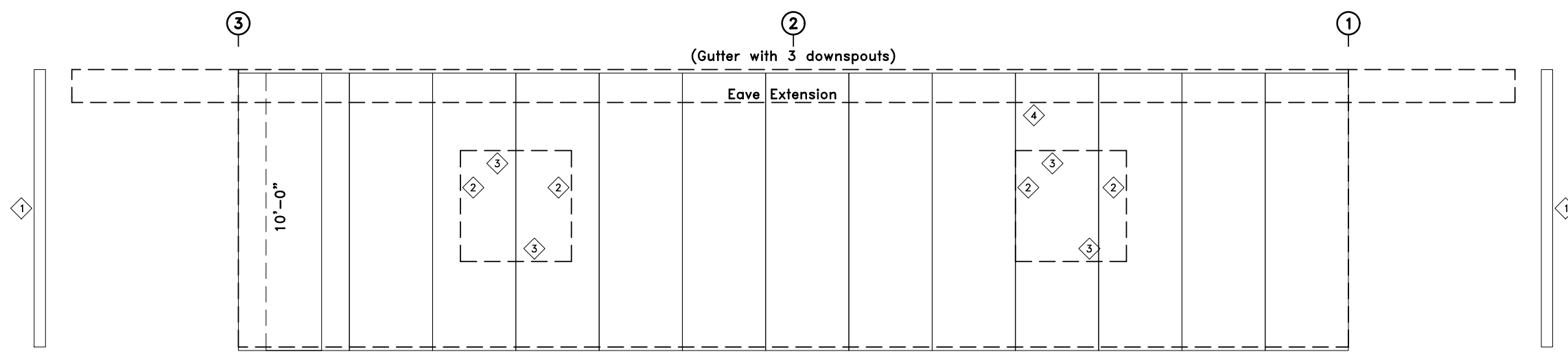
DET:

JOB NO.: 25089

PG.: E-5



**SIDEWALL FRAMING: FRAME LINE C**



**SIDEWALL SHEETING & TRIM: FRAME LINE C**

PANELS: 26 Ga. PBR - Colony Green

**TRIM TABLE**  
FRAME LINE C

ID	QUAN	PART	LENGTH	DETAIL
1	2	CRNTR243	10'-1"	TRIM #2
2	4	JMBTR243	4'-4"	TRIM #6
3	4	HEADR243	4'-4"	TRIM #8
4	2	HEADM-X	20'-2"	TRIM #281

**BOLT TABLE**  
FRAME LINE C

LOCATION	QUAN	TYPE	DIA	LENGTH
WF-1 - WF-3	8	A325	5/8"	1 3/4"
WF-1 - RF2-1	4	A325	3/4"	1 1/2"
WF-1 - RF1-1	4	A325	3/4"	1 1/2"

**MEMBER TABLE**  
FRAME LINE C

QUAN	MARK	PART	LENGTH
2	WF-1	W8X18	8'-11 7/8"
1	WF-3	W8X18	17'-5 1/2"
4	DJ-1	8x35C16	3'-11 1/2"
2	E-1	82LEDS14	19'-2 1/4"
2	E-4	82LEDS14	6'-0 7/8"
2	G-3	8x25C16	17'-4 5/8"
2	G-4	8x25C16	19'-3 1/2"

**CONNECTION PLATES**  
FRAME LINE C

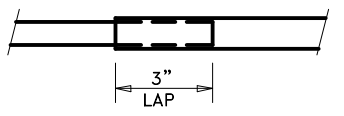
ID	QUAN	MARK/PART
1	4	C-5
2	4	j1

**APPROVAL DRAWINGS**

- APPROVED AS DRAWN
- APPROVED AS NOTED
- NOT APPROVED

\_\_\_\_ INITIAL

Please Check And Approve All Dimensions And Conditions. STANDARD STRUCTURES Must Be Notified Of Any Changes.



**ALL TRIM LAPS ARE TO BE 3" LONG**

NOTE: If Trim Lap Is More Than 3" Long, The Trim May Not Cover The Required Coverage Length.

**SSI** STANDARD STRUCTURES INC.  
MANUFACTURER OF METAL BUILDINGS & COMPONENTS  
P.O. BOX 1912  
ODESSA, TX. 79760  
1-800-240-0335

**IAS**  
ACCREDITED™  
Metal Building Systems  
AC 472

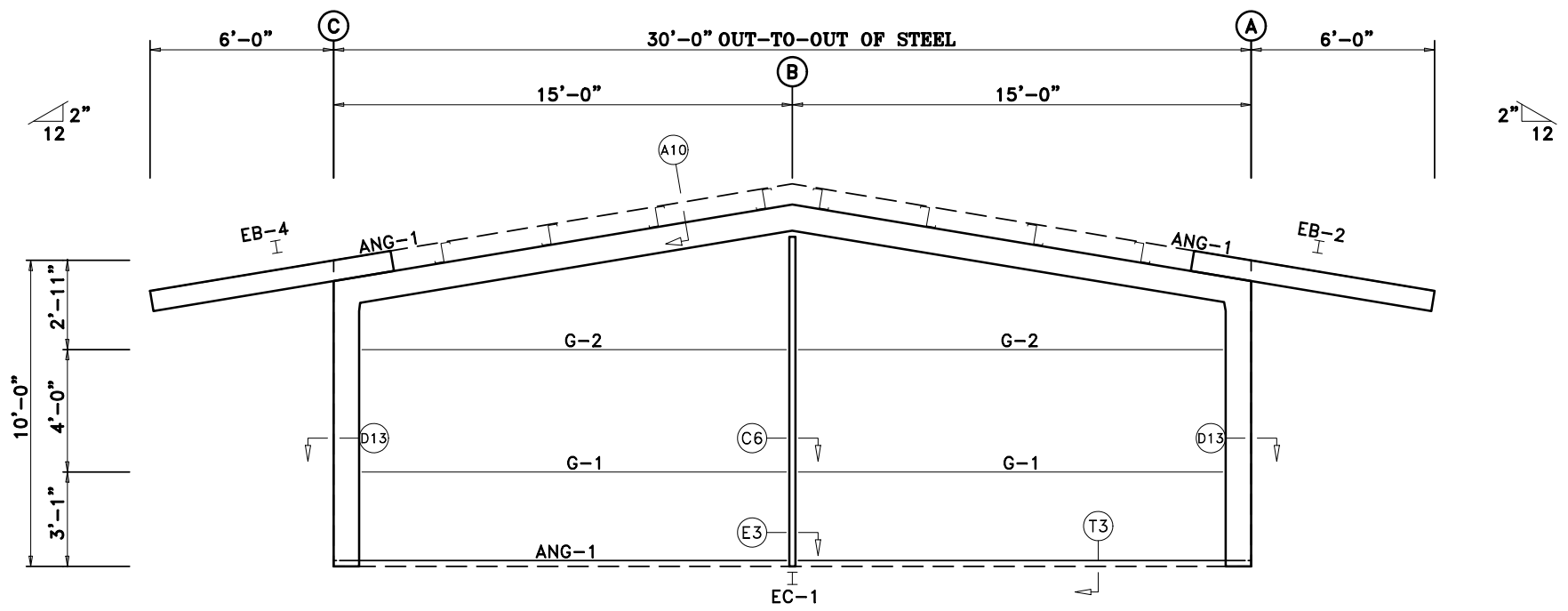
**APPROVAL & PERMIT**

JOB NAME: Trend Builders  
PROJECT NAME: Mescalero Fire Department

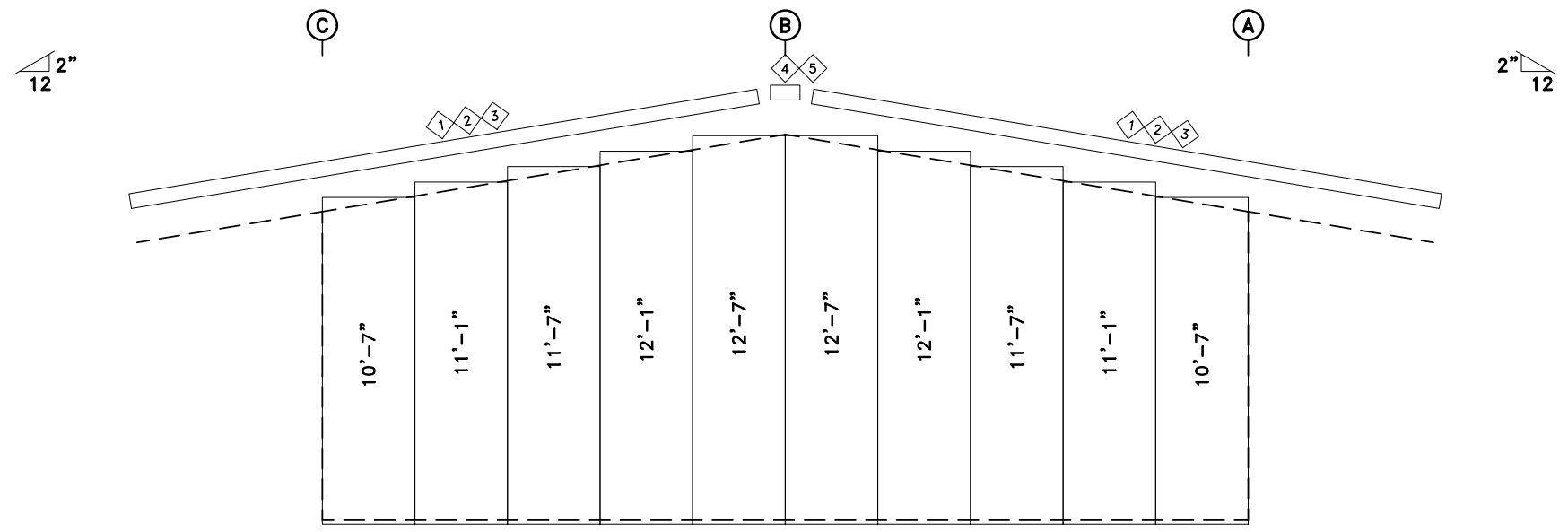
JOB LOCATION: Mescalero, NM 88340

DRAWING TITLE: *SIDEWALL DRAWING*

DATE: 10/28/25    DET:    JOB NO.: 25089    PG.: E-6



**ENDWALL FRAMING: FRAME LINE 1**

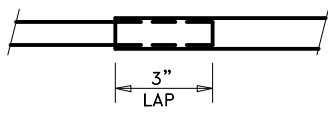


**ENDWALL SHEETING & TRIM: FRAME LINE 1**  
PANELS: 26 Ga. PBR - Colony Green

TRIM TABLE				
FRAME LINE 1				
ID	QUAN	PART	LENGTH	DETAIL
1	2	RAKER243	21'-10"	TRIM #44
2	6	RCF-80-0	10'-3"	TRIM #46
3	2	HEADR243	15'-7"	TRIM #87
4	1	PEAKBX-R	1'-2"	TRIM #15
5	1	SRT-2	6'-0"	TRIM #47

BOLT TABLE				
FRAME LINE 1				
LOCATION	QUAN	TYPE	DIA	LENGTH
Columns/Raf	4	A325	1/2"	1 1/4"

MEMBER TABLE				
FRAME LINE 1				
QUAN	MARK	PART	LENGTH	
1	EB-2	W8X18	9'-3"	
1	EB-4	W8X18	9'-3"	
1	EC-1	W8X10	10'-11 9/16"	
2	G-1	8x25Z16	13'-11 1/4"	
2	G-2	8x25C16	13'-11 1/4"	



**ALL TRIM LAPS ARE TO BE 3" LONG**

NOTE: If Trim Lap Is More Than 3" Long, The Trim May Not Cover The Required Coverage Length.

**APPROVAL DRAWINGS**

- APPROVED AS DRAWN
- APPROVED AS NOTED
- NOT APPROVED

\_\_\_\_ INITIAL

Please Check And Approve All Dimensions And Conditions. STANDARD STRUCTURES Must Be Notified Of Any Changes.

**SSI** STANDARD STRUCTURES INC.  
MANUFACTURER OF METAL BUILDINGS & COMPONENTS  
P.O. BOX 1912  
ODESSA, TX. 79760  
1-800-240-0335

**IAS**  
ACCREDITED™  
Metal Building Systems  
AC 472

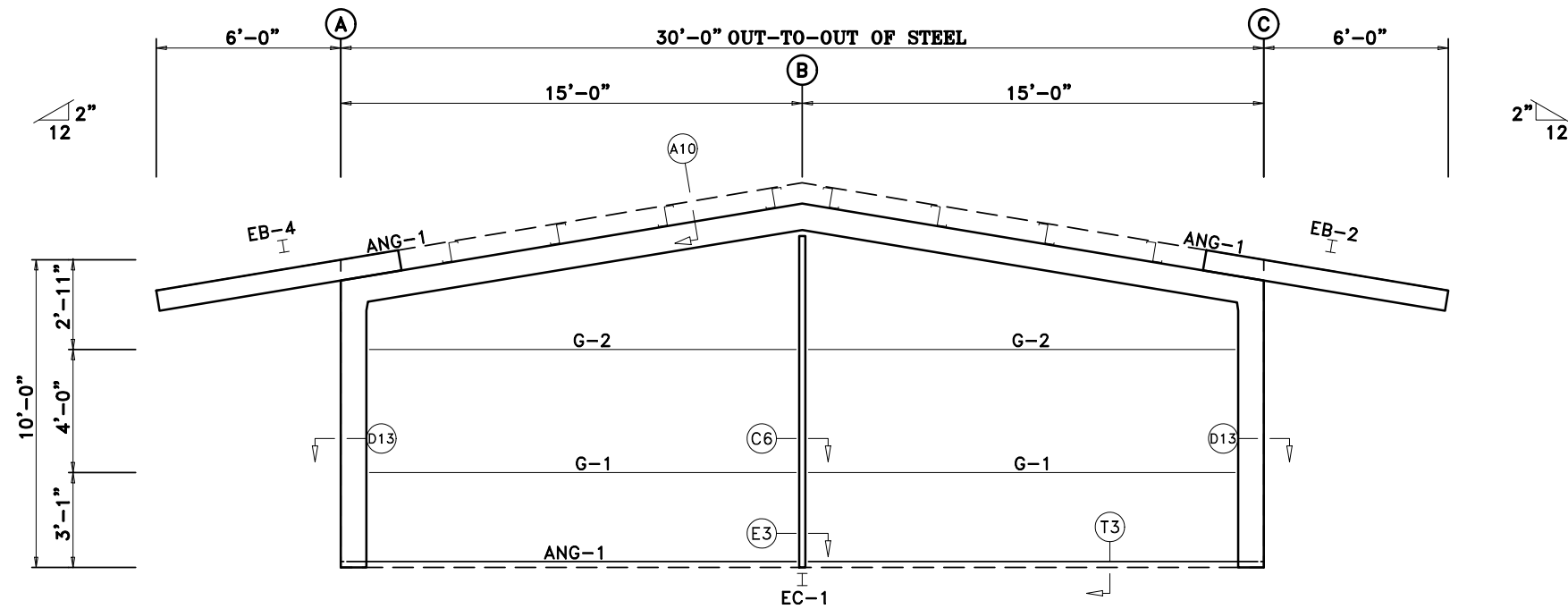
**APPROVAL & PERMIT**

JOB NAME: Trend Builders  
PROJECT NAME: Mescalero Fire Department

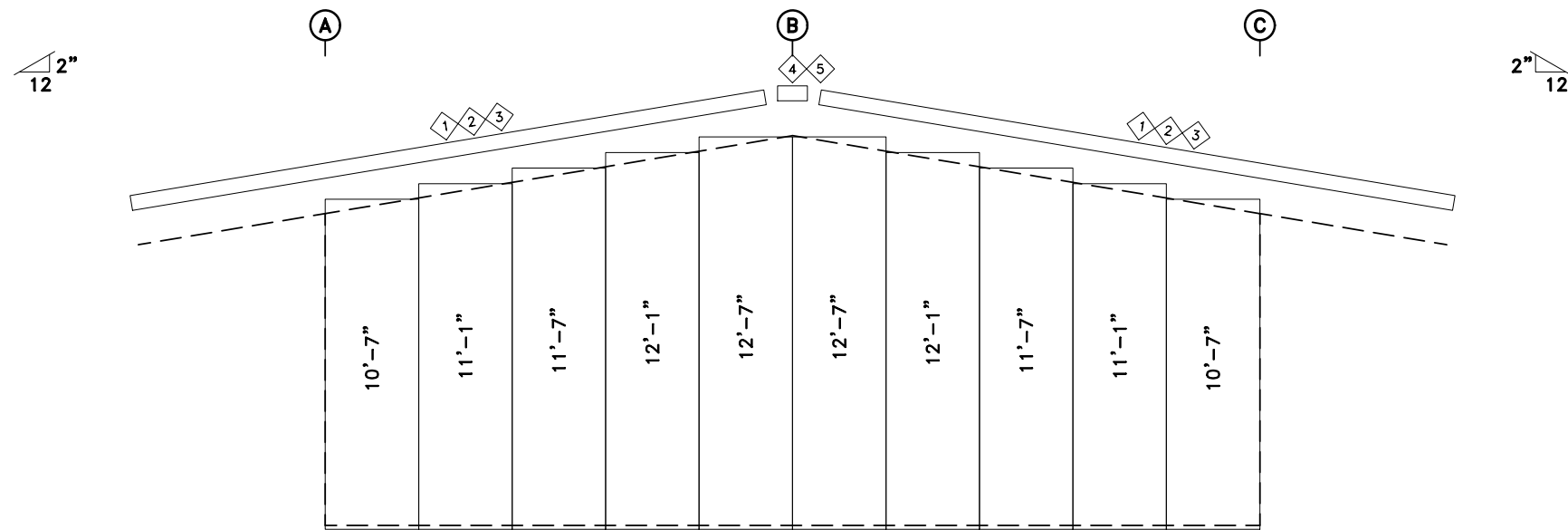
JOB LOCATION: Mescalero, NM 88340

DRAWING TITLE: *ENDWALL DRAWING*

DATE: 10/28/25    DET:    JOB NO.: 25089    PG.: E-7



ENDWALL FRAMING: FRAME LINE 3



ENDWALL SHEETING & TRIM: FRAME LINE 3

PANELS: 26 Ga. PBR - Colony Green

TRIM TABLE				
FRAME LINE 3				
ID	QUAN	PART	LENGTH	DETAIL
1	2	RAKER243	21'-10"	TRIM #44
2	6	RCF-80-0	10'-3"	TRIM #46
3	2	HEADR243	15'-7"	TRIM #87
4	1	PEAKBX-R	1'-2"	TRIM #15
5	1	SRT-2	6'-0"	TRIM #47

BOLT TABLE			
FRAME LINE 3			
LOCATION	QUAN	TYPE	DIA
Columns/Raf	4	A325	1/2"
			1 1/4"

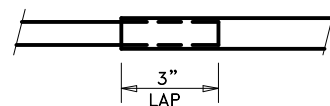
MEMBER TABLE			
FRAME LINE 3			
QUAN	MARK	PART	LENGTH
1	EB-2	W8X18	9'-3"
1	EB-4	W8X18	9'-3"
1	EC-1	W8X10	10'-11 9/16"
2	G-1	8x25Z16	13'-11 1/4"
2	G-2	8x25C16	13'-11 1/4"

**APPROVAL DRAWINGS**

- APPROVED AS DRAWN
- APPROVED AS NOTED
- NOT APPROVED

\_\_\_\_ INITIAL

Please Check And Approve All Dimensions  
And Conditions. STANDARD STRUCTURES  
Must Be Notified Of Any Changes.



**ALL TRIM LAPS ARE TO BE 3" LONG**

NOTE: If Trim Lap Is More Than 3" Long, The Trim May Not Cover The Required Coverage Length.

**SSI** STANDARD STRUCTURES INC.  
MANUFACTURER OF METAL BUILDINGS & COMPONENTS  
P.O. BOX 1912  
ODESSA, TX. 79760  
1-800-240-0335

**IAS**  
ACCREDITED™  
Metal Building Systems  
AC 472

**APPROVAL & PERMIT**

JOB NAME: Trend Builders  
PROJECT NAME: Mescalero Fire Department

JOB LOCATION: Mescalero, NM 88340

DRAWING TITLE: *ENDWALL DRAWING*

DATE: 10/28/25

DET:

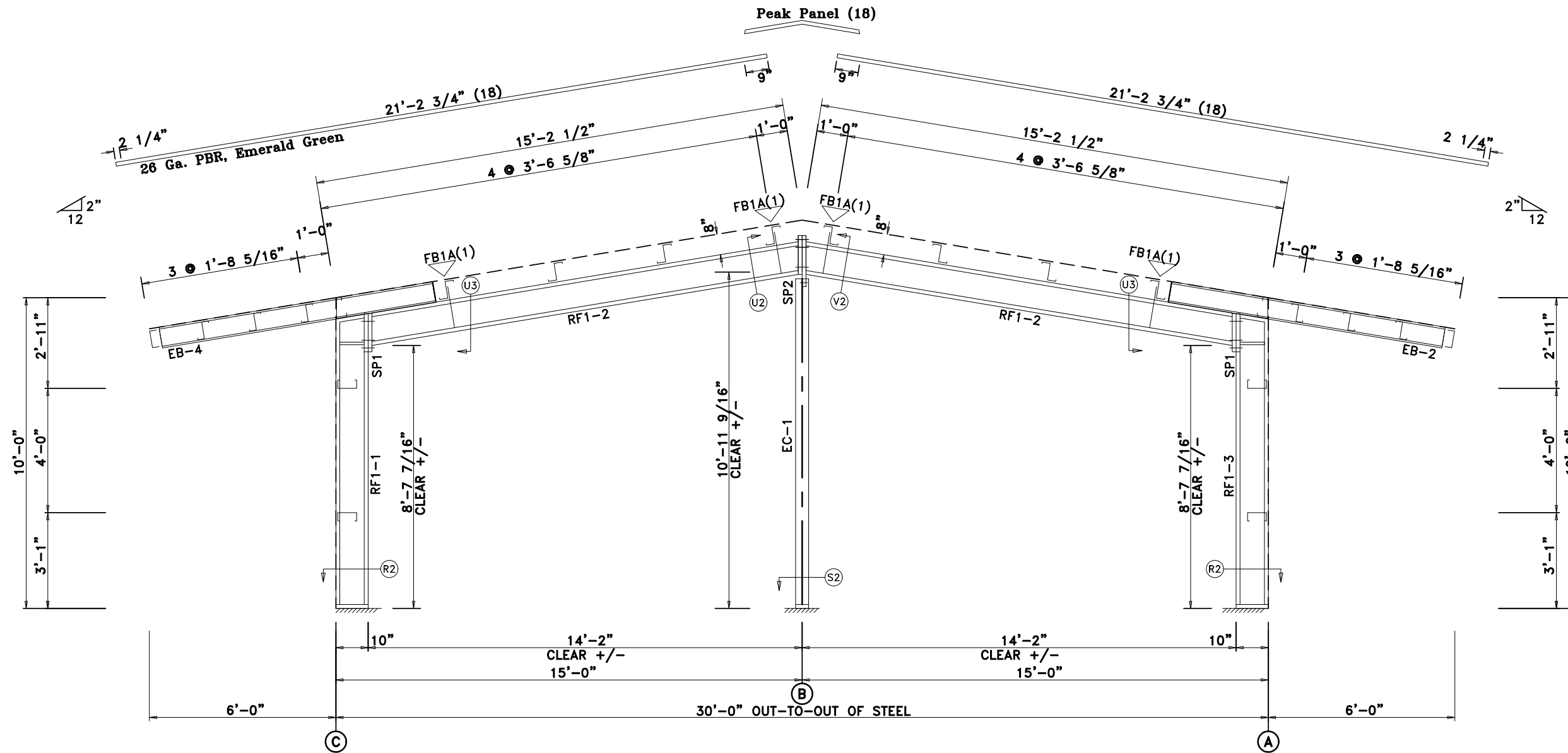
JOB NO.: 25089

PG.: E-8

SPLICE PLATE & BOLT TABLE										CAP PLATE BOLTS				
Mark	Qty Top	Qty Bot	Int	Type	Dia	Length	Width	Thick	Length	Mark	Qty	Type	Dia	Length
SP1	2	4	0	A325	3/4"	2 1/4"	6"	5/8"	1'-1 1/2"	EC-1	4	A325	1/2"	1 1/2"
SP2	4	2	0	A325	5/8"	1 3/4"	6"	3/8"	1'-1 1/2"					

MEMBER SIZE TABLE		
MARK	MEMBER	LENGTH
RF1-1	W10X15	9'-3 7/8"
RF1-2	W10X17	14'-4"
RF1-3	W10X15	9'-3 7/8"
EC-1	W8X10	10'-11 9/16"
EB-2	W8X18	9'-3"
EB-4	W8X18	9'-3"

▽ FLANGE BRACES: Both Sides(U.N.)  
 FBxxA(1)  
 A - F2X2X14g



RIGID FRAME SECTION: FRAME LINE 1

**APPROVAL DRAWINGS**

- APPROVED AS DRAWN
- APPROVED AS NOTED
- NOT APPROVED

\_\_\_\_ INITIAL

Please Check And Approve All Dimensions  
 And Conditions. STANDARD STRUCTURES  
 Must Be Notified Of Any Changes.

**SSI** STANDARD STRUCTURES INC.  
 MANUFACTURER OF METAL BUILDINGS & COMPONENTS

P.O. BOX 1912  
 ODESSA, TX. 79760  
 1-800-240-0335



ACCREDITED™  
 Metal Building Systems  
 AC 472

**APPROVAL & PERMIT**

JOB NAME: Trend Builders  
 PROJECT NAME: Mescalero Fire Department

JOB LOCATION: Mescalero, NM 88340

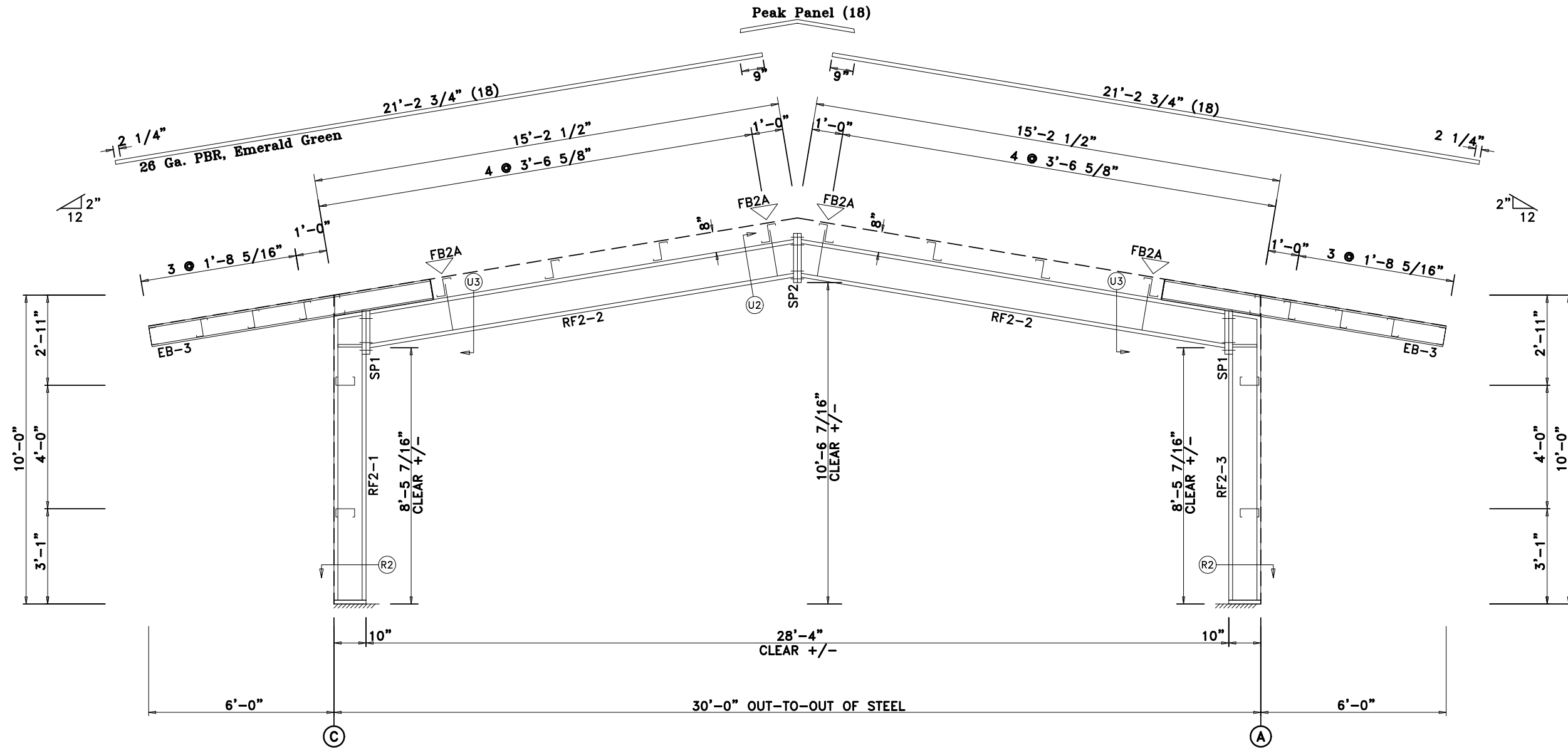
DRAWING TITLE: RIGID FRAME SECTION

DATE: 10/29/25    DET:    JOB NO.: 25089    PG.: E-9

SPLICE PLATE & BOLT TABLE										
Mark	Qty	Top	Bot	Int	Type	Dia	Length	Width	Thick	Length
SP1	2	4	0		A325	7/8"	2 3/4"	6"	3/4"	1'-4"
SP2	4	4	0		A325	3/4"	2 3/4"	6"	1/2"	1'-6 1/2"

MEMBER SIZE TABLE		
MARK	MEMBER	LENGTH
RF2-1	W10X15	9'-3 7/8"
RF2-2	W12X19	14'-3 7/8"
RF2-3	W10X15	9'-3 7/8"
EB-3	W8X18	9'-3"

▽ FLANGE BRACES: Both Sides(U.N.)  
 FBxxA(1)  
 A - F2X2X14g



RIGID FRAME SECTION: FRAME LINE 2

**APPROVAL DRAWINGS**

- APPROVED AS DRAWN
- APPROVED AS NOTED
- NOT APPROVED

\_\_\_\_ INITIAL

Please Check And Approve All Dimensions  
 And Conditions. STANDARD STRUCTURES  
 Must Be Notified Of Any Changes.

**SSI** STANDARD STRUCTURES INC.  
 MANUFACTURER OF METAL BUILDINGS & COMPONENTS

P.O. BOX 1912  
 ODESSA, TX. 79760  
 1-800-240-0335



ACCREDITED™  
 Metal Building Systems  
 AC 472

**APPROVAL & PERMIT**

JOB NAME: Trend Builders

PROJECT NAME: Mescalero Fire Department

JOB LOCATION: Mescalero, NM 88340

DRAWING TITLE: RIGID FRAME SECTION

DATE: 10/29/25

DET:

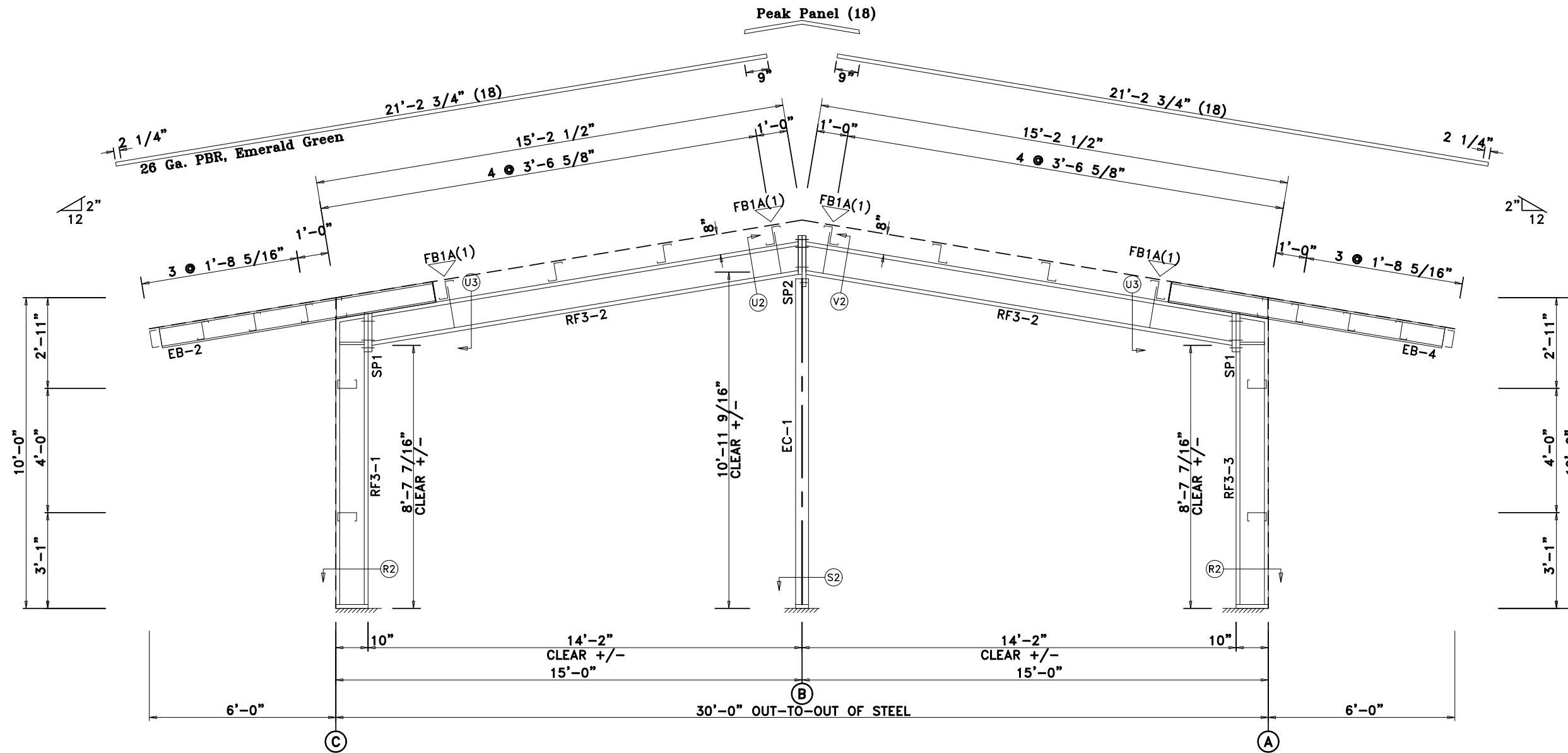
JOB NO.: 25089

PG.: E-10

SPLICE PLATE & BOLT TABLE										CAP PLATE BOLTS				
Mark	Qty Top	Qty Bot	Int	Type	Dia	Length	Width	Thick	Length	Mark	Qty	Type	Dia	Length
SP1	2	4	0	A325	3/4"	2 1/4"	6"	5/8"	1'-1 1/2"	EC-1	4	A325	1/2"	1 1/2"
SP2	4	2	0	A325	5/8"	1 3/4"	6"	3/8"	1'-1 1/2"					

MEMBER SIZE TABLE		
MARK	MEMBER	LENGTH
RF3-1	W10X15	9'-3 7/8"
RF3-2	W10X17	14'-4"
RF3-3	W10X15	9'-3 7/8"
EC-1	W8X10	10'-11 9/16"
EB-4	W8X18	9'-3"
EB-2	W8X18	9'-3"

▽ FLANGE BRACES: Both Sides(U.N.)  
 FBxxA(1)  
 A - F2X2X14g



RIGID FRAME SECTION: FRAME LINE 3

**APPROVAL DRAWINGS**

- APPROVED AS DRAWN
- APPROVED AS NOTED
- NOT APPROVED

\_\_\_\_ INITIAL

Please Check And Approve All Dimensions  
 And Conditions. STANDARD STRUCTURES  
 Must Be Notified Of Any Changes.

**SSI** STANDARD STRUCTURES INC.  
 MANUFACTURER OF METAL BUILDINGS & COMPONENTS

P.O. BOX 1912  
 ODESSA, TX. 79760  
 1-800-240-0335



ACCREDITED™  
 Metal Building Systems  
 AC 472

**APPROVAL & PERMIT**

JOB NAME: Trend Builders  
 PROJECT NAME: Mescalero Fire Department

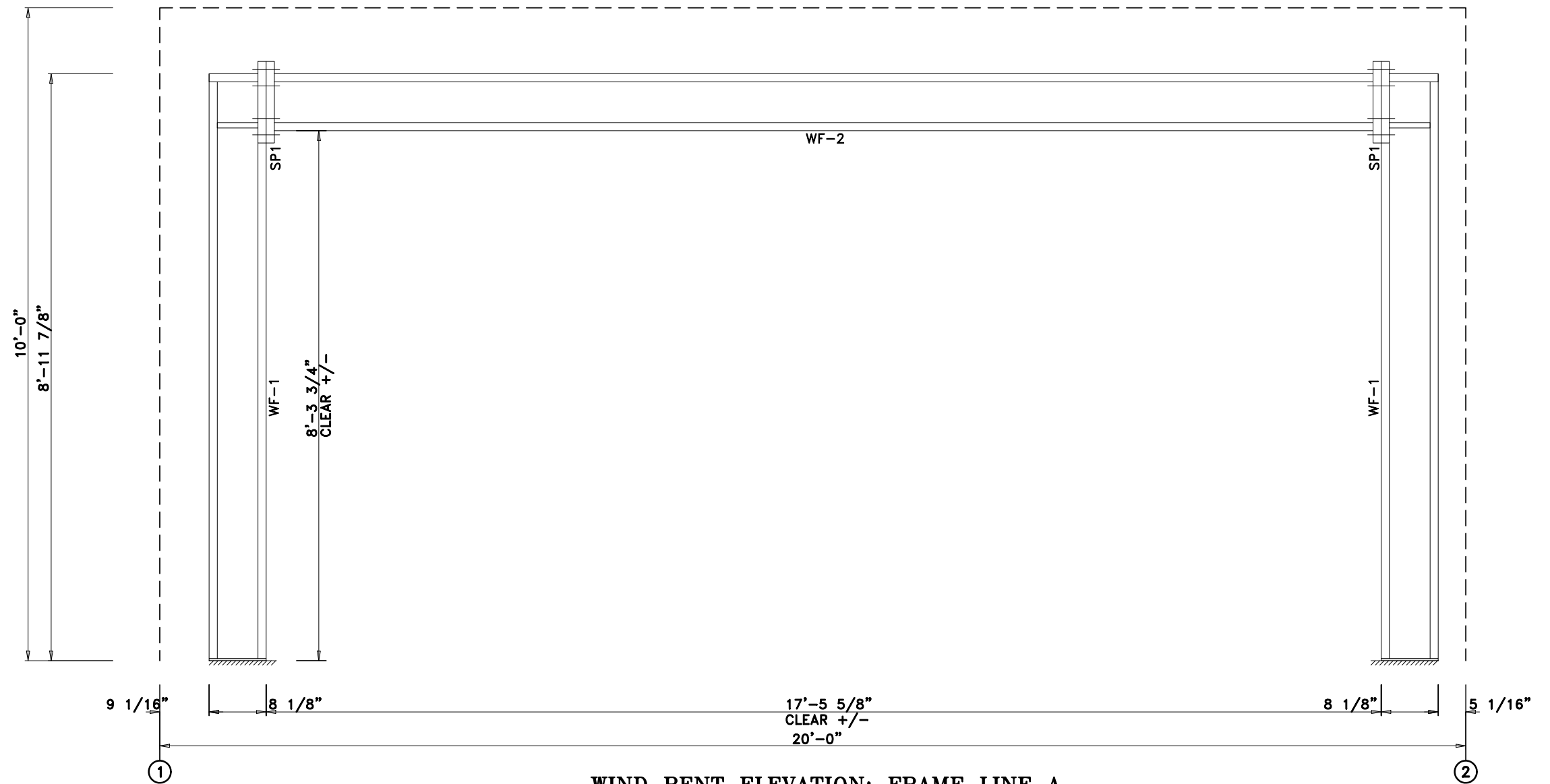
JOB LOCATION: Mescalero, NM 88340

DRAWING TITLE: RIGID FRAME SECTION

DATE: 10/29/25    DET:    JOB NO.: 25089    PG.: E-11

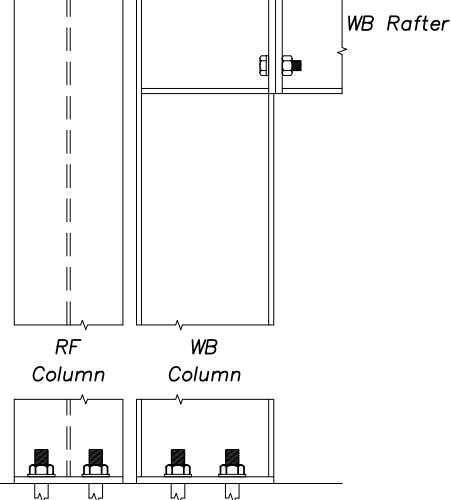
SPLICE BOLTS				
Splice Mark	Quan Top/Bot	Type	Dia	Bolt Length
SP1	4	A325	0.625	1.75

MEMBER SIZE TABLE		
MARK	MEMBER	LENGTH
WF-2	W8X18	17'-5 1/2"
WF-1	W8X18	8'-11 7/8"



WIND BENT ELEVATION: FRAME LINE A

3/8" thick plate bolted to wind bent column cap plate with (4) 3/4" A325 bolts; 3/8" thick plate bolted to 3/8" thick full depth stiffener with (2) 3/4" A325 bolts;



Wind Bent Connection

### APPROVAL DRAWINGS

- APPROVED AS DRAWN
- APPROVED AS NOTED
- NOT APPROVED

\_\_\_\_ INITIAL

Please Check And Approve All Dimensions And Conditions. STANDARD STRUCTURES Must Be Notified Of Any Changes.

**SSI** STANDARD STRUCTURES INC.  
MANUFACTURER OF METAL BUILDINGS & COMPONENTS

P.O. BOX 1912  
ODESSA, TX. 79760  
1-800-240-0335



ACCREDITED™  
Metal Building Systems  
AC 472

### APPROVAL & PERMIT

JOB NAME: Trend Builders

PROJECT NAME: Mescalero Fire Department

JOB LOCATION: Mescalero, NM 88340

DRAWING TITLE: WIND BENT ELEVATION

DATE: 10/28/25

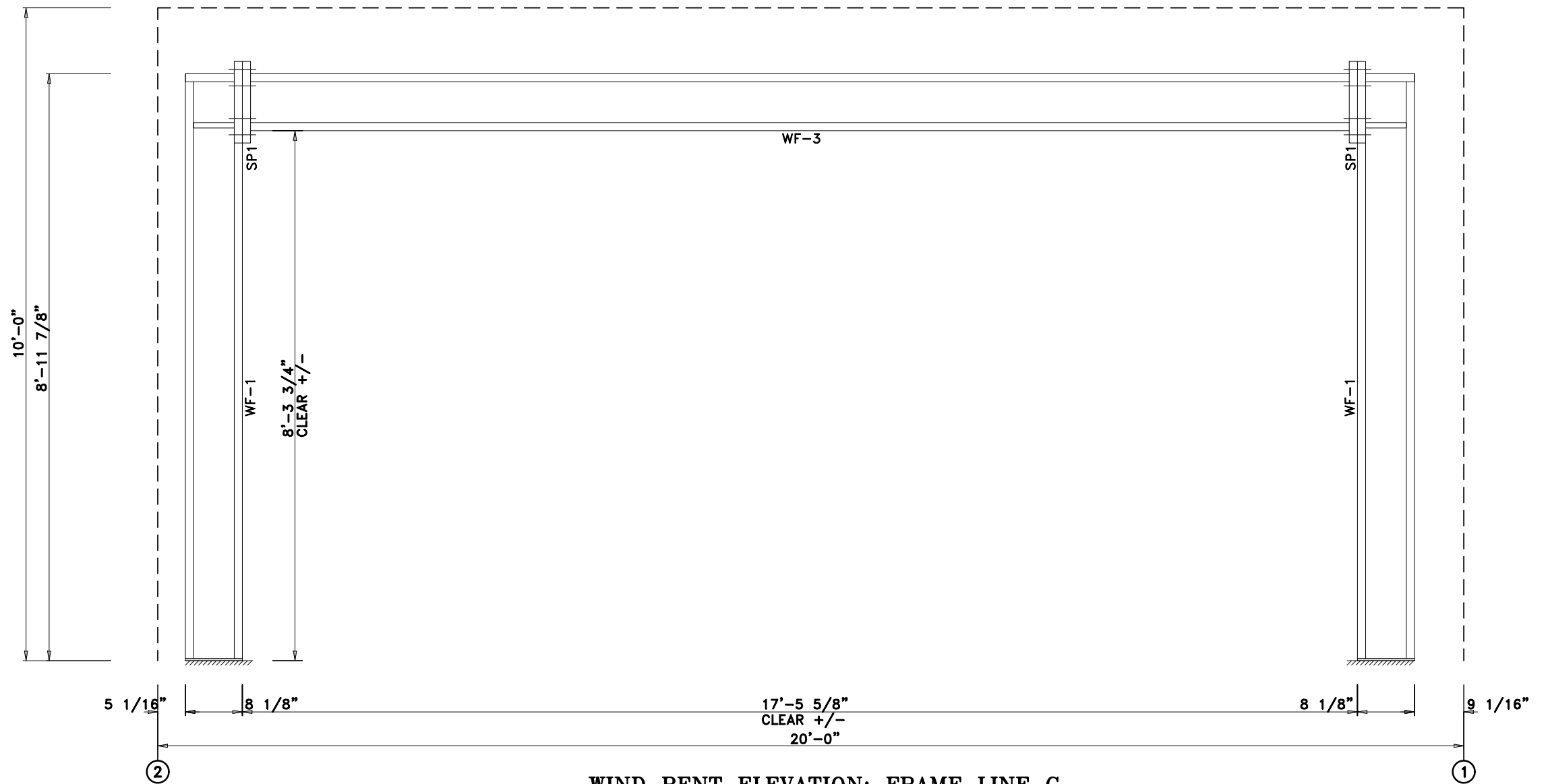
DET:

JOB NO.: 25089

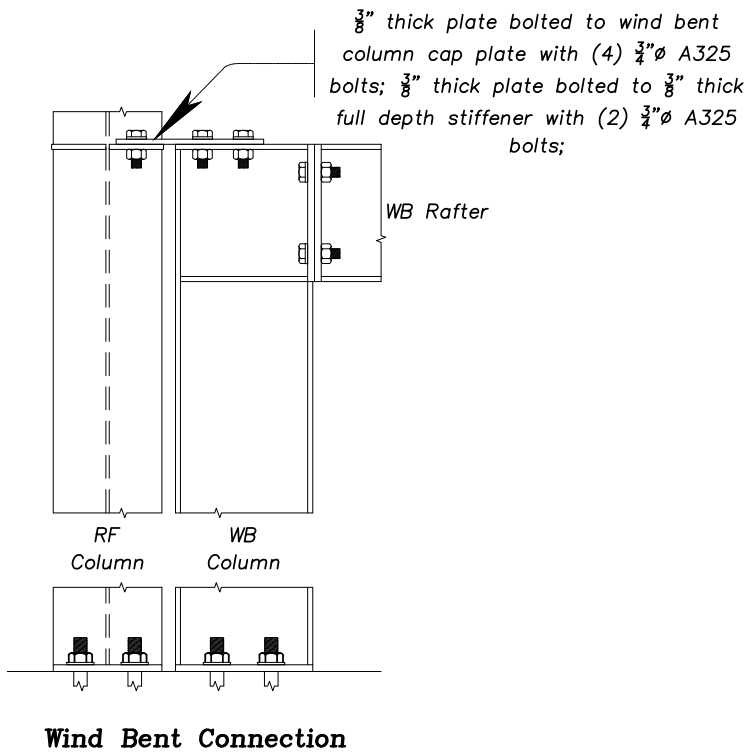
PG.: E-12

SPLICE BOLTS				
Splice Mark	Quan	Top/Bot	Type	Bolt Dia Length
SP1	4	4	A325	0.625 1.75

MEMBER SIZE TABLE		
MARK	MEMBER	LENGTH
WF-3	W8X18	17'-5 1/2"
WF-1	W8X18	8'-11 7/8"



WIND BENT ELEVATION: FRAME LINE C



Wind Bent Connection

### APPROVAL DRAWINGS

- APPROVED AS DRAWN
- APPROVED AS NOTED
- NOT APPROVED

\_\_\_\_ INITIAL

Please Check And Approve All Dimensions  
And Conditions. STANDARD STRUCTURES  
Must Be Notified Of Any Changes.

**SSI** STANDARD STRUCTURES INC.  
MANUFACTURER OF METAL BUILDINGS & COMPONENTS  
P.O. BOX 1912  
ODESSA, TX. 79760  
1-800-240-0335

**IAS**  
ACCREDITED™  
Metal Building Systems  
AC 472

### APPROVAL & PERMIT

JOB NAME: Trend Builders  
PROJECT NAME: Mescalero Fire Department

JOB LOCATION: Mescalero, NM 88340

DRAWING TITLE: WIND BENT ELEVATION

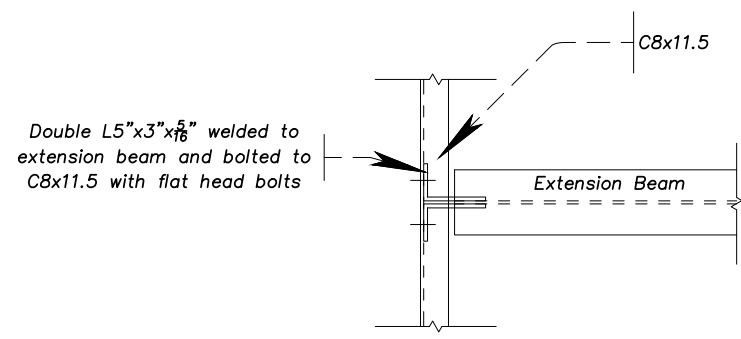
DATE: 10/28/25

DET:

JOB NO.: 25089

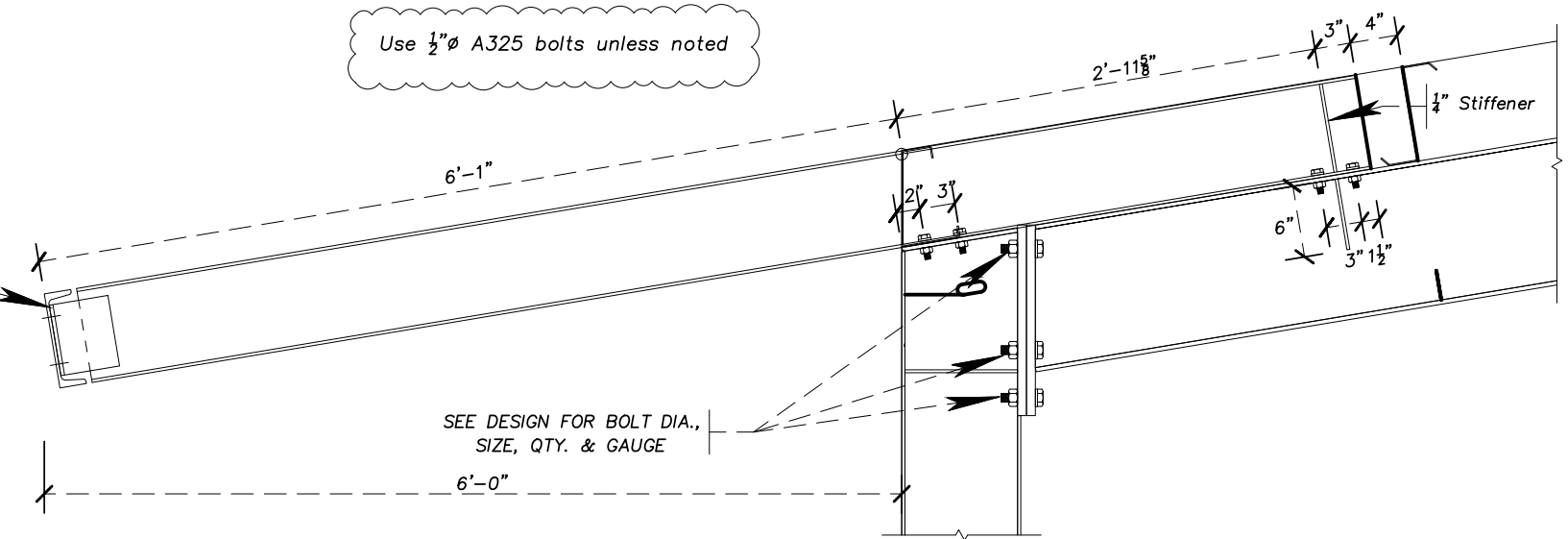
PG.: E-13

Use 1/2" A325 bolts unless noted



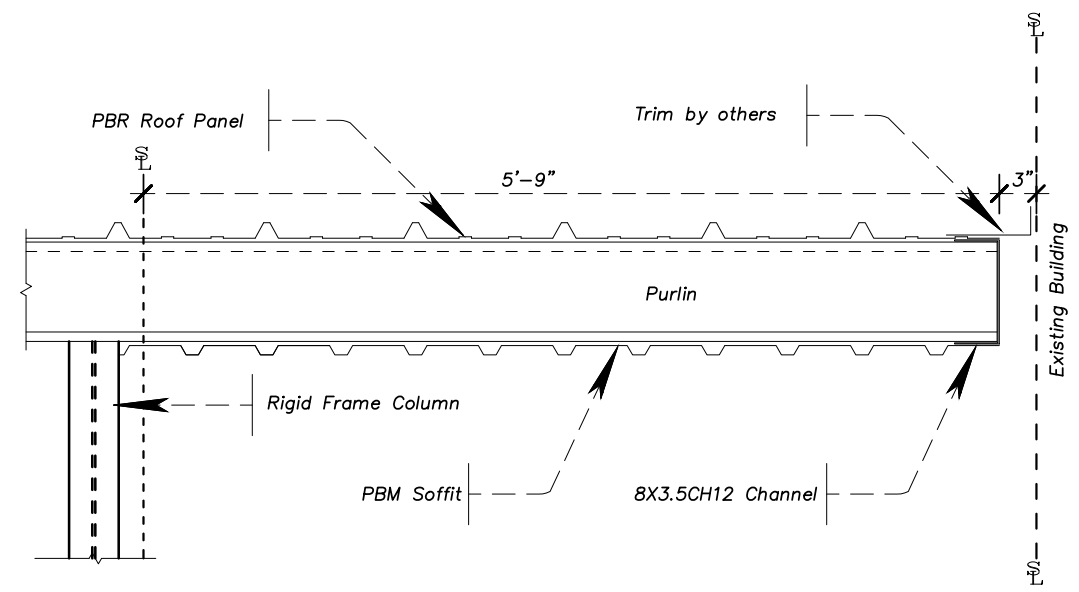
1 Eave Extension Detail

L5"x3"x5/16" Welded to extension beam and bolted to C8x11.5 with flat head bolts

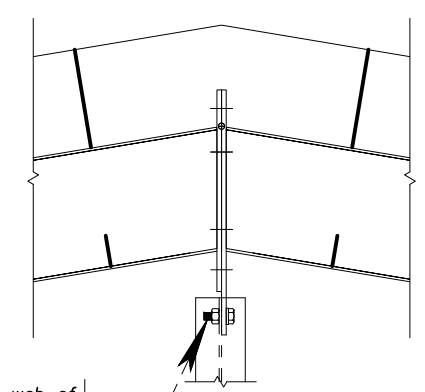


SEE DESIGN FOR BOLT DIA., SIZE, QTY. & GAUGE

2 Eave Extension Detail



3 Purlin Extension Detail



Extend (1) endplate and attach to web of interior column with (2) 5/8" A325 bolts

4 Endwall Column Connection Detail On Frame Line #1

**APPROVAL DRAWINGS**

- APPROVED AS DRAWN
- APPROVED AS NOTED
- NOT APPROVED

\_\_\_\_ INITIAL

Please Check And Approve All Dimensions And Conditions. STANDARD STRUCTURES Must Be Notified Of Any Changes.

**SSI** STANDARD STRUCTURES INC.  
 MANUFACTURER OF METAL BUILDINGS & COMPONENTS  
 P.O. BOX 1912  
 ODESSA, TX. 79760  
 1-800-240-0335

**IAS**  
 ACCREDITED™  
 Metal Building Systems  
 AC 472

**APPROVAL & PERMIT**

JOB NAME: Trend Builders			
PROJECT NAME: Mescalero Fire Department			
JOB LOCATION: Mescalero, NM 88340			
DRAWING TITLE: <i>DETAIL DRAWINGS</i>			
DATE: 10/23/25	DET:	JOB NO.: 25089	PG.: E-14