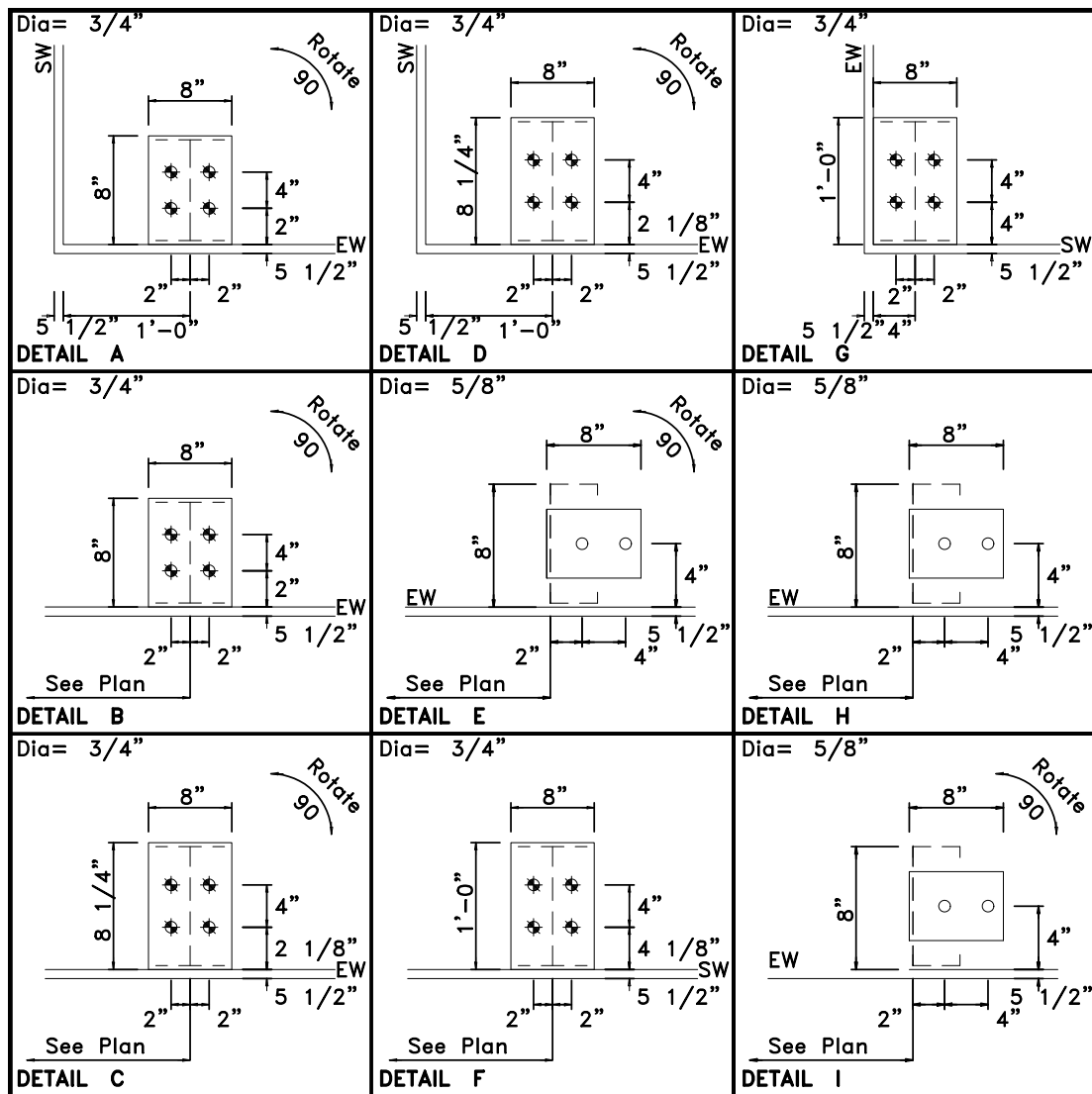


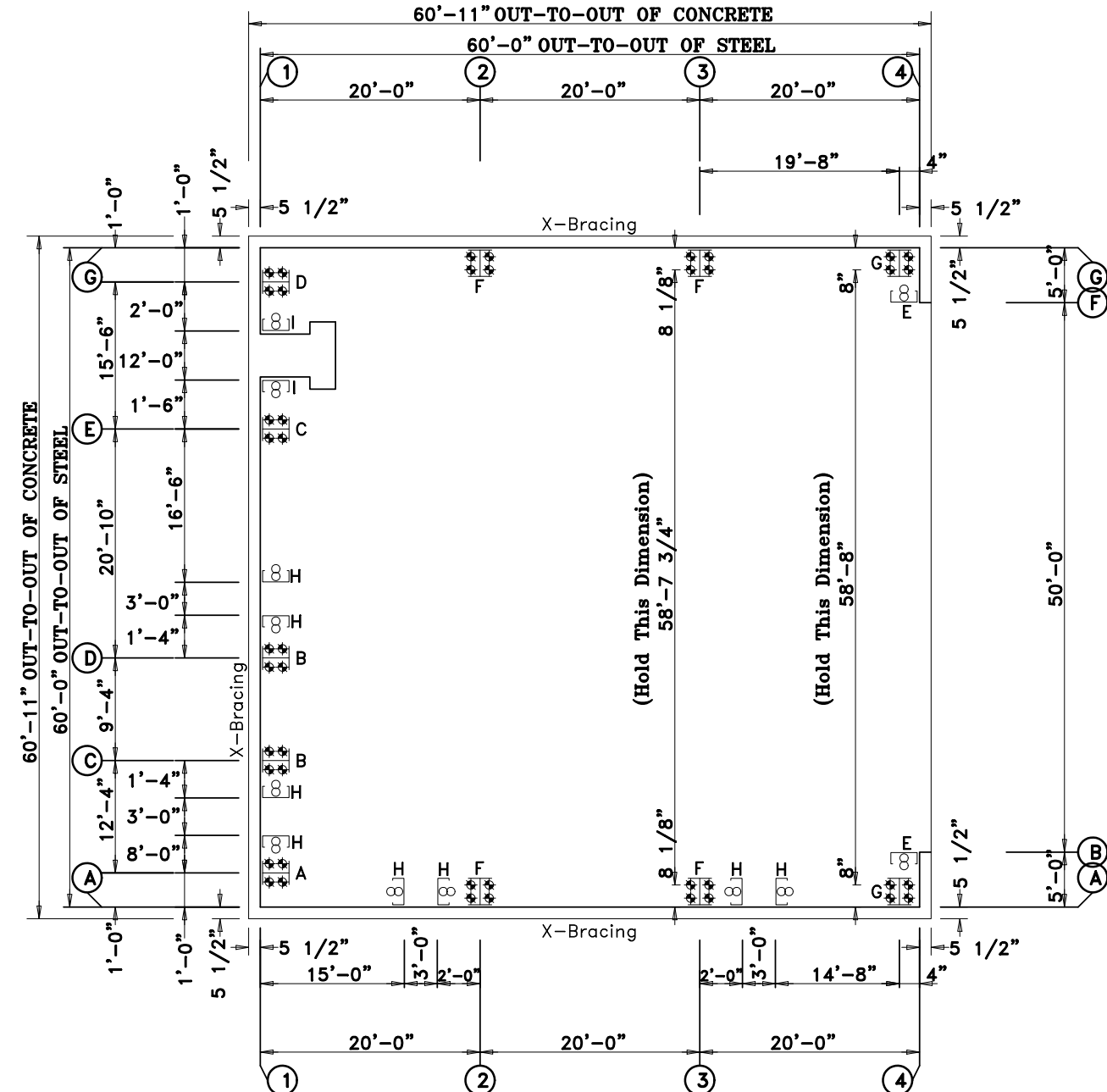
Standard Structures, Inc.

Job#: 25112
Final Design

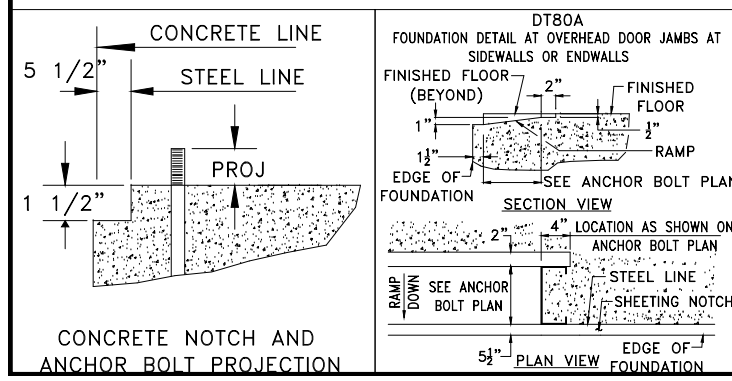


ANCHOR BOLT SUMMARY

Qty	Locate	Dia (in)	Type	Proj (in)
20	Jamb	5/8"	A307	1.50
20	Endwall	3/4"	A307	2.00
4	Endwall	5/8"	A307	1.50
24	Frame	3/4"	A307	2.00



ANCHOR BOLT PLAN
NOTE: All Base Plates @ 100'-0" (U.N.)



APPROVAL DRAWINGS

- APPROVED AS DRAWN
- APPROVED AS NOTED
- NOT APPROVED

____ INITIAL

Please Check And Approve All Dimensions
And Conditions. STANDARD STRUCTURES
Must Be Notified Of Any Changes.

SSI STANDARD STRUCTURES INC.
MANUFACTURER OF METAL BUILDINGS & COMPONENTS

P.O. BOX 1912
ODESSA, TX. 79760
1-800-240-0335



ACCREDITED™
Metal Building Systems
AC 472

APPROVAL & PERMIT

JOB NAME: Cozart Metal Building Systems
PROJECT NAME: Steed Homes

JOB LOCATION: Pecan Plantation, TX 76049

DRAWING TITLE: ANCHOR BOLT PLAN

DATE: 1/5/26 DET: JOB NO.: 25112 PG.: E-1

BUILDING BRACING REACTIONS

Wall Loc	Line	Col Line	± Reactions(k)			
			0.6Wind		Seismic	
			Horz	Vert	Horz	Vert
L_EW	1	D,C	1.2	2.6	0.8	1.8
F_SW	A	2,3	5.2	3.7	0.7	0.5
R_EW	4		Rigid frame at endwall			
B_SW	G	3,2	5.2	3.7	0.7	0.5

ENDWALL COLUMN REACTIONS(k)

Frame Line	Col Line	Max Horz	Max +Vert	Max -Vert	Load Id
1	E	2.4	7.3	-2.1	(9)
1	C	-4.5	0.0	1.4	(11)

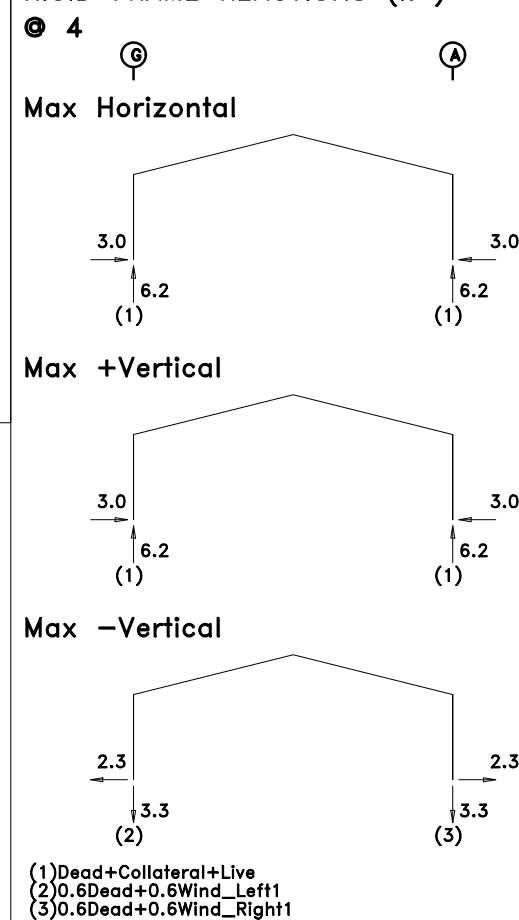
(1)Dead+Collateral+Live
 (9)0.6Dead+0.6Wind_Left1+0.6Wind_Suction
 (11)0.6Dead+0.6Wind_Right1+0.6Wind_Suction

NOTES FOR REACTIONS

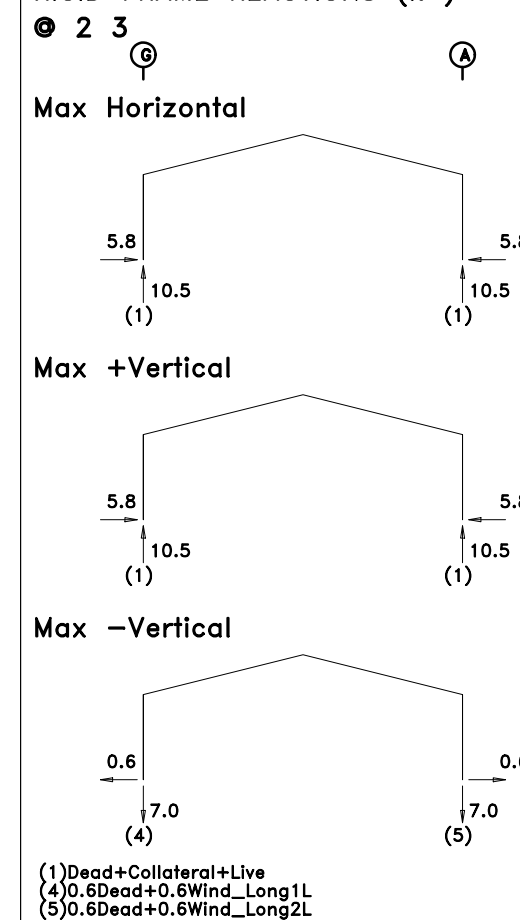
Building reactions are based on the following building data:

- Width (ft) = 60.0
- Length (ft) = 60.0
- Eave Height (ft) = 16.0 / 16.0
- Roof Slope (rise/12) = 3.00 / 3.00
- Roof Dead Load (psf) = 3.0
- Roof Live Load (psf) = 20.0
- Frame Live Load (psf) = 12.0
- Collateral Load (psf) = 1.0
- Snow Load (psf) = 3.5
- Minimum Snow (psf) = 5.0
- Wind Speed (mph) = 108.0
- Wind Code = IBC 21
- Exposure = C
- Closure = Enclosed
- Internal Wind Coeff = -0.18, +0.18
- Risk Category = II - Normal
- Importance - Seismic = 1.00
- Seismic Design Category = B
- Seismic Coeff (Sms) = 0.12

RIGID FRAME REACTIONS (k)



RIGID FRAME REACTIONS (k)



APPROVAL DRAWINGS

- APPROVED AS DRAWN
- APPROVED AS NOTED
- NOT APPROVED

____ INITIAL

Please Check And Approve All Dimensions And Conditions. STANDARD STRUCTURES Must Be Notified Of Any Changes.



MANUFACTURER OF METAL BUILDINGS & COMPONENTS

P.O. BOX 1912
 ODESSA, TX. 79760
 1-800-240-0335

APPROVAL & PERMIT

JOB NAME: Cozart Metal Building Systems
 PROJECT NAME: Steed Homes

JOB LOCATION: Pecan Plantation, TX 76049

DRAWING TITLE: ANCHOR BOLT REACTIONS

DATE: 1/5/26

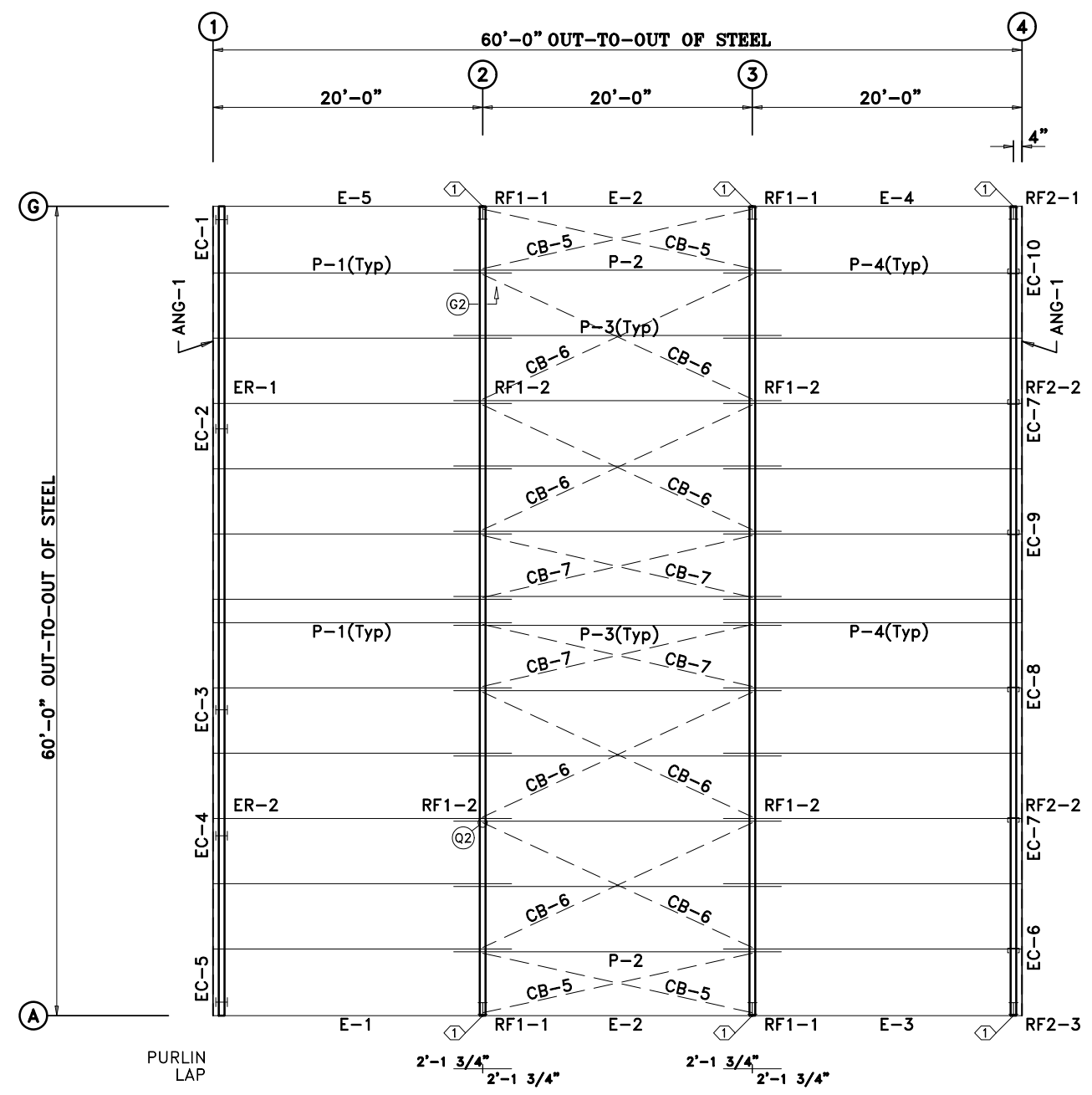
DET:

JOB NO.: 25112

PG.: E-2



ACCREDITED™
 Metal Building Systems
 AC 472



ROOF FRAMING PLAN

MEMBER TABLE			
ROOF PLAN			
QUAN	MARK	PART	LENGTH
12	P-1	8x25Z16	22'-1 1/2"
2	P-2	8x25Z13	24'-3 1/2"
10	P-3	8x25Z16	24'-3 1/2"
12	P-4	8x25Z13	22'-1 1/2"
1	E-1	83LEDS14	19'-11 1/2"
2	E-2	83LEDS14	19'-11 1/2"
1	E-3	83LEDS14	19'-11 1/2"
1	E-4	83LEDS14	19'-11 1/2"
1	E-5	83LEDS14	19'-11 1/2"
4	CB-5	3/8_CBL	18'-7"
8	CB-6	3/8_CBL	20'-1"
4	CB-7	3/8_CBL	18'-8"

SPECIAL BOLTS					
ROOF PLAN					
ID	QUAN	TYPE	DIA	LENGTH	WASH
1	4	A325	1/2"	1 1/4"	0

APPROVAL DRAWINGS

- APPROVED AS DRAWN
- APPROVED AS NOTED
- NOT APPROVED

____ INITIAL

Please Check And Approve All Dimensions
And Conditions. STANDARD STRUCTURES
Must Be Notified Of Any Changes.

SSI STANDARD STRUCTURES INC.
MANUFACTURER OF METAL BUILDINGS & COMPONENTS

P.O. BOX 1912
ODESSA, TX. 79760
1-800-240-0335



ACCREDITED™
Metal Building Systems
AC 472

APPROVAL & PERMIT

JOB NAME: Cozart Metal Building Systems

PROJECT NAME: Steed Homes

JOB LOCATION: Pecan Plantation, TX 76049

DRAWING TITLE: *ROOF FRAMING PLAN*

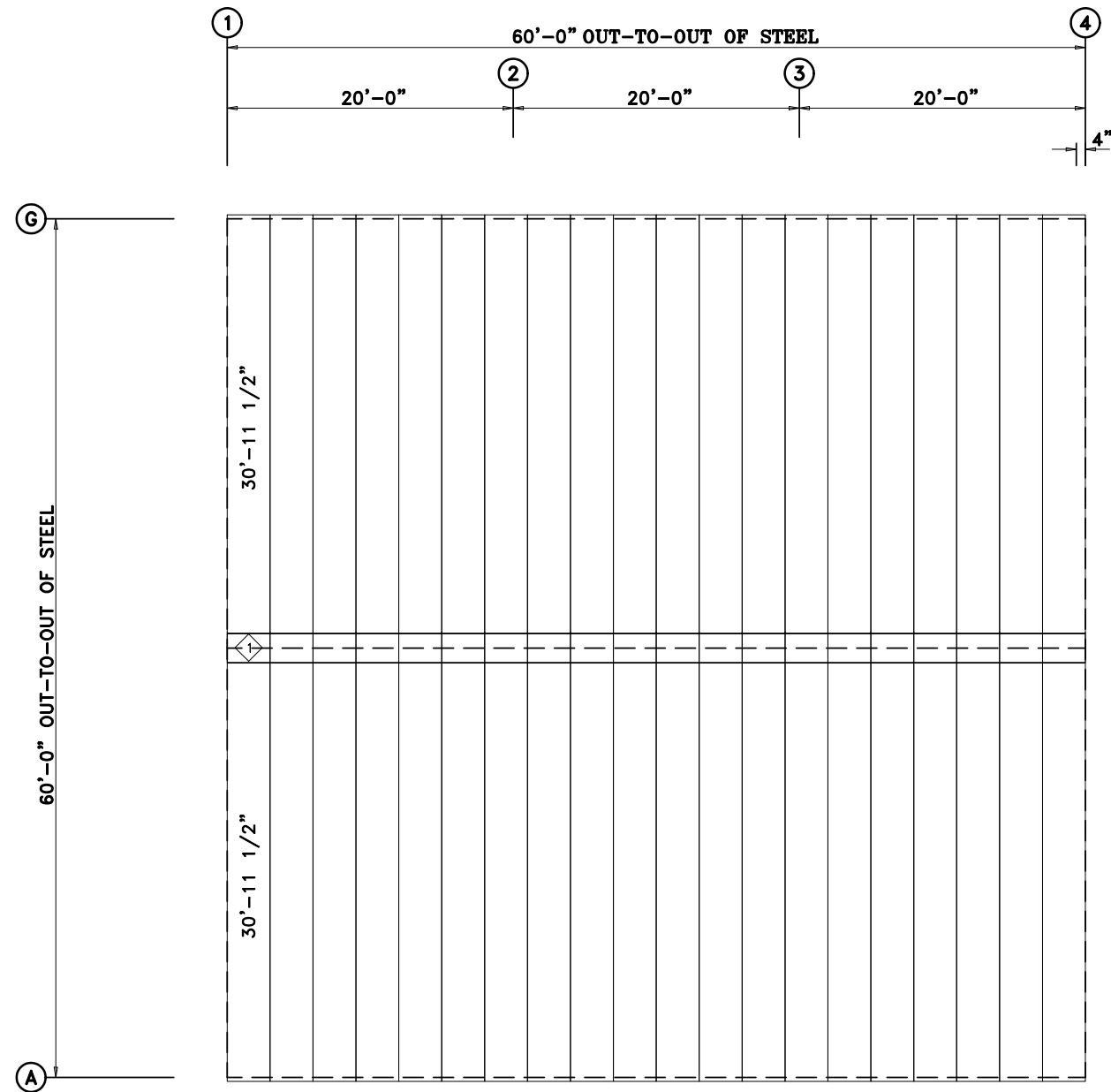
DATE: 1/5/26

DET:

JOB NO.: 25112

PG.: E-3

TRIM TABLE				
ROOF PLAN				
◇ ID	QUAN	PART	LENGTH	DETAIL
1	20	PEAK 26R	3'-0"	TRIM #1



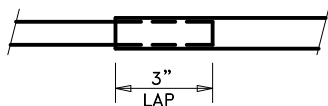
ROOF SHEETING PLAN
PANELS: 26 Ga. PBR - Patriot Red

APPROVAL DRAWINGS

- APPROVED AS DRAWN
- APPROVED AS NOTED
- NOT APPROVED

____ INITIAL

Please Check And Approve All Dimensions
 And Conditions. STANDARD STRUCTURES
 Must Be Notified Of Any Changes.



ALL TRIM LAPS ARE TO BE 3" LONG

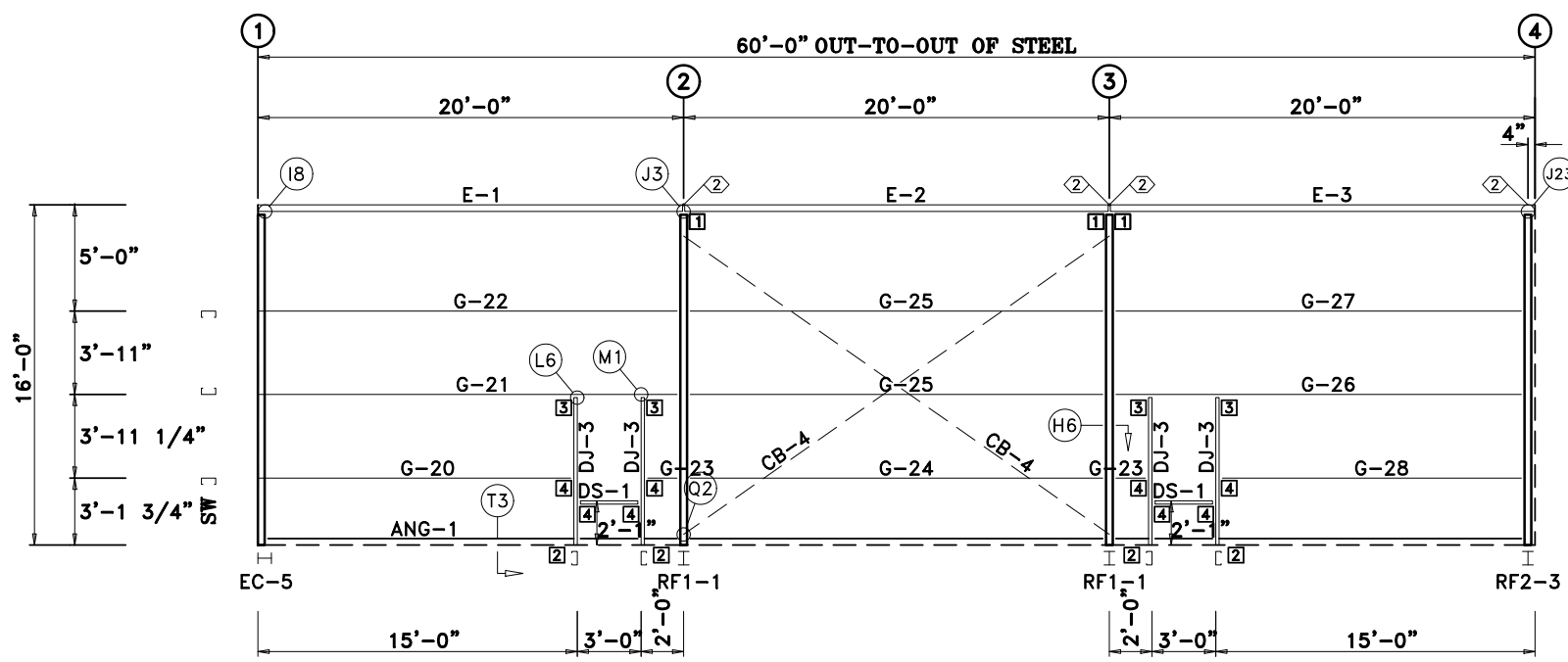
NOTE: If Trim Lap Is More Than 3" Long, The Trim
 May Not Cover The Required Coverage Length.

SSI STANDARD STRUCTURES INC.
 MANUFACTURER OF METAL BUILDINGS & COMPONENTS
 P.O. BOX 1912
 ODESSA, TX. 79760
 1-800-240-0335

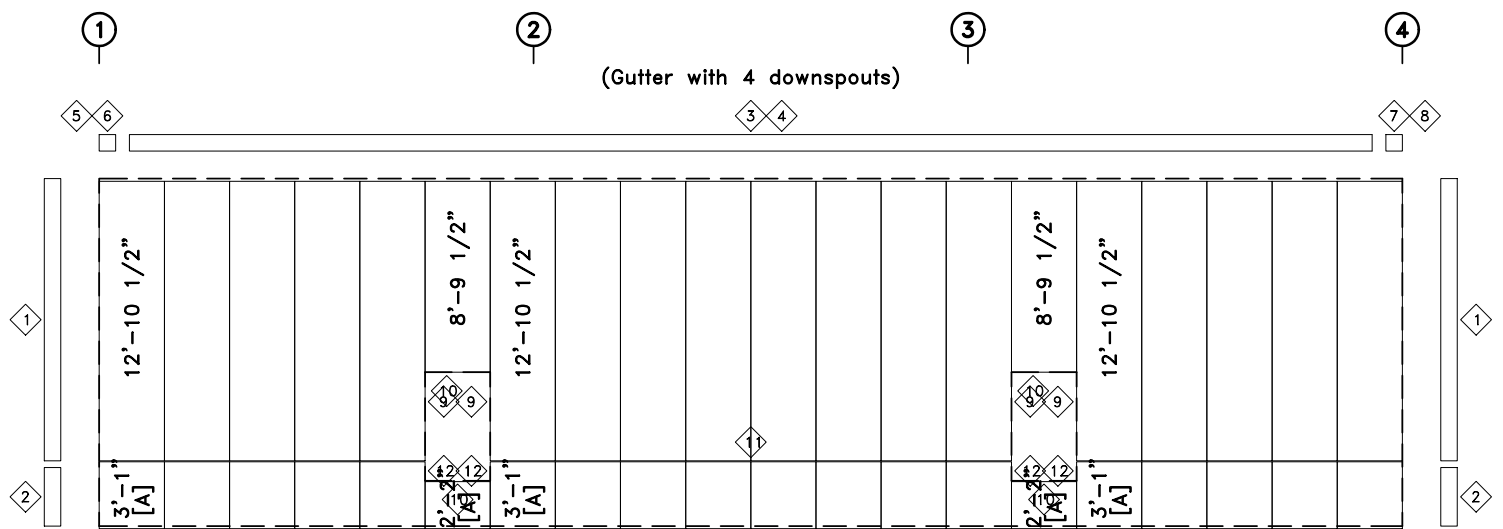
IAS
 ACCREDITED™
 Metal Building Systems
 AC 472

APPROVAL & PERMIT

JOB NAME: Cozart Metal Building Systems
 PROJECT NAME: Steed Homes
 JOB LOCATION: Pecan Plantation, TX 76049
 DRAWING TITLE: *ROOF FRAMING PLAN*
 DATE: 1/5/26 DET: JOB NO.: 25112 PG.: E-4



SIDEWALL FRAMING: FRAME LINE A



SIDEWALL SHEETING & TRIM: FRAME LINE A

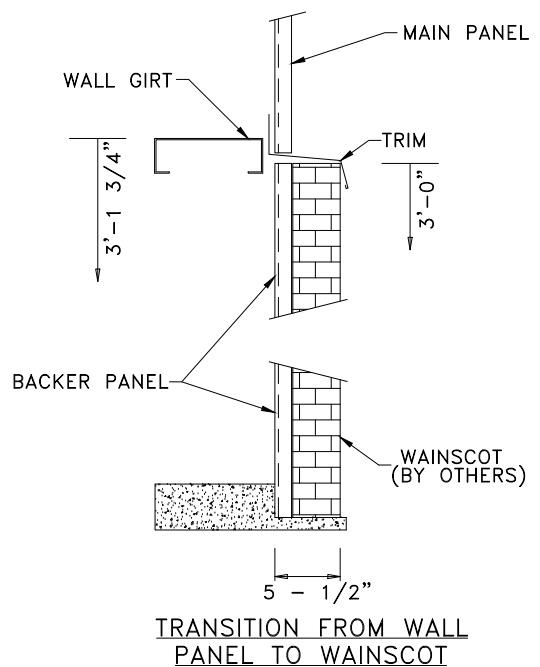
PANELS: 26 Ga. PBR - Sahara Tan
 [A] PANELS: 26 Ga. PBR - Sahara Tan

TRIM TABLE				
FRAME LINE A				
ID	QUAN	PART	LENGTH	DETAIL
1	2	CRNTR243	13'-1"	TRIM #2
2	2	CRNTR243	3'-1"	TRIM #2
3	3	GUTT243	20'-2"	TRIM #5
4	6	BACKSPLS	10'-3"	
5	1	SGUTENDL	6"	
6	1	SCRNBX-L	6"	TRIM #16
7	1	SGUTENDR	6"	TRIM #16
8	1	SCRNBX-R	6"	TRIM #16
9	4	JMBTR243	4'-5"	TRIM #6
10	4	HEADR243	3'-4"	TRIM #8
11	7	WT-1	10'-3"	
12	4	JMBTR243	1'-3"	TRIM #6

MEMBER TABLE				
FRAME LINE A				
QUAN	MARK	PART	LENGTH	
4	DJ-3	8x35C16	7'-0 3/4"	
2	DS-1	8x35C16	3'-0"	
1	E-1	83LEDS14	19'-11 1/2"	
1	E-2	83LEDS14	19'-11 1/2"	
1	E-3	83LEDS14	19'-11 1/2"	
1	G-20	8x35C12	14'-8"	
1	G-21	8x25C14	19'-8 1/2"	
1	G-22	8x25C14	19'-8 1/2"	
2	G-23	8x35C12	1'-5"	
1	G-24	8x35C12	19'-5 1/2"	
2	G-25	8x25C14	19'-5 1/2"	
1	G-26	8x25C14	19'-1 1/2"	
1	G-27	8x25C14	19'-1 1/2"	
1	G-28	8x35C12	14'-1"	
2	CB-4	3/8_CBL	22'-9"	

SPECIAL BOLTS					
ID	QUAN	TYPE	DIA	LENGTH	WASH
2	4	A325	1/2"	1 1/4"	0

CONNECTION PLATES		
FRAME LINE A		
ID	QUAN	MARK/PART
1	2	ECP-2
2	4	C-104
3	4	j2
4	8	C-5



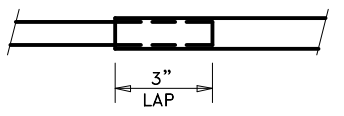
TRANSITION FROM WALL PANEL TO WAINSCOT

APPROVAL DRAWINGS

- APPROVED AS DRAWN
- APPROVED AS NOTED
- NOT APPROVED

____ INITIAL

Please Check And Approve All Dimensions And Conditions. STANDARD STRUCTURES Must Be Notified Of Any Changes.



ALL TRIM LAPS ARE TO BE 3" LONG

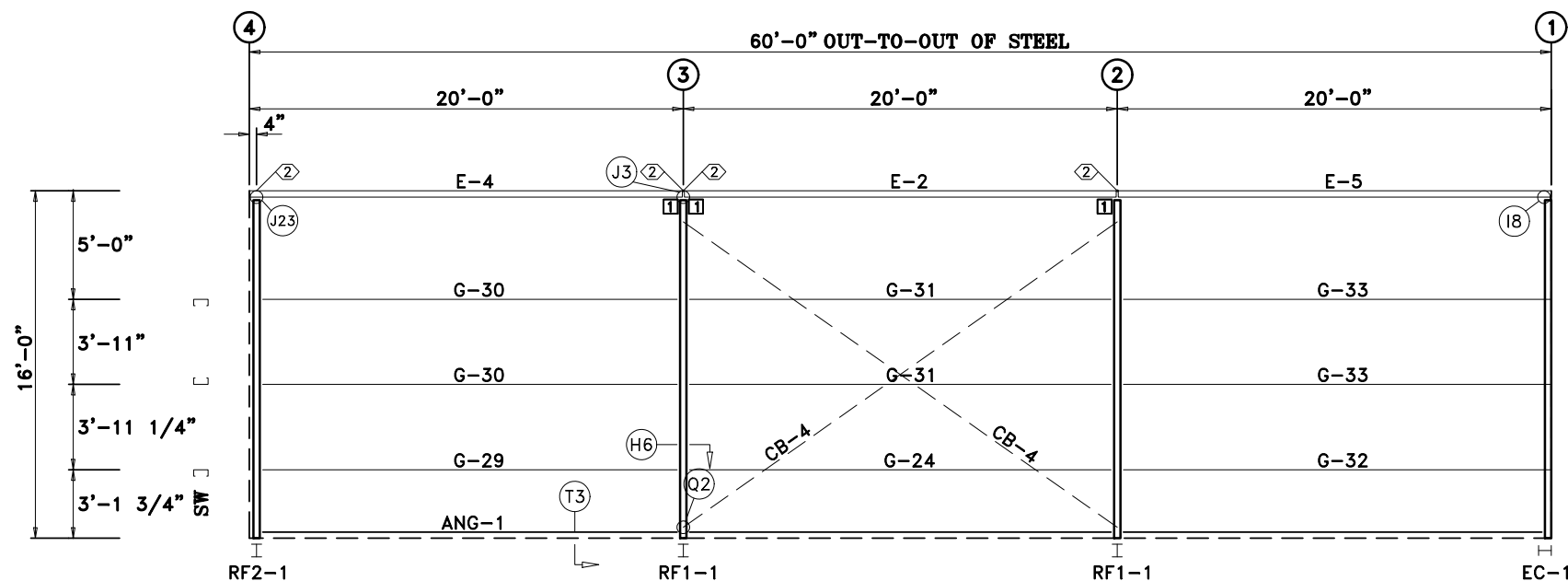
NOTE: If Trim Lap Is More Than 3" Long, The Trim May Not Cover The Required Coverage Length.

SSI STANDARD STRUCTURES INC.
 MANUFACTURER OF METAL BUILDINGS & COMPONENTS
 P.O. BOX 1912
 ODESSA, TX. 79760
 1-800-240-0335

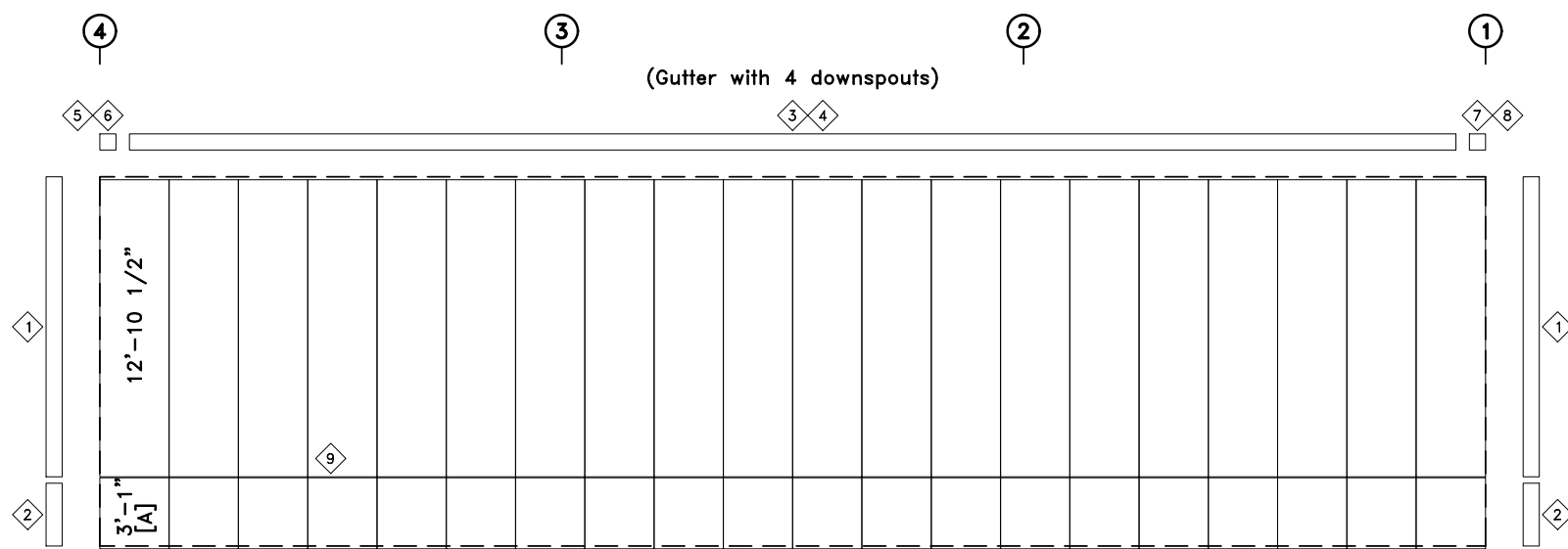
IAS
 ACCREDITED™
 Metal Building Systems
 AC 472

APPROVAL & PERMIT

JOB NAME: Cozart Metal Building Systems
PROJECT NAME: Steed Homes
JOB LOCATION: Pecan Plantation, TX 76049
DRAWING TITLE: <i>SIDEWALL DRAWING</i>
DATE: 1/5/26
DET:
JOB NO.: 25112
PG.: E-5



SIDEWALL FRAMING: FRAME LINE G



SIDEWALL SHEETING & TRIM: FRAME LINE G

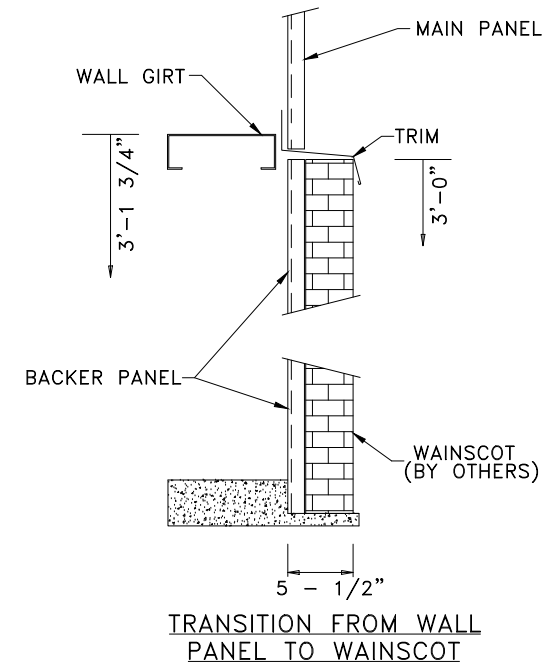
PANELS: 26 Ga. PBR - Sahara Tan
 [A] PANELS: 26 Ga. PBR - Sahara Tan

TRIM TABLE				
FRAME LINE G				
ID	QUAN	PART	LENGTH	DETAIL
1	2	CRNTR243	13'-1"	TRIM #2
2	2	CRNTR243	3'-1"	TRIM #2
3	3	GUTT243	20'-2"	TRIM #5
4	6	BACKSPLS	10'-3"	
5	1	SGUTENDL	6"	
6	1	SCRNBX-L	6"	TRIM #16
7	1	SGUTENDR	6"	TRIM #16
8	1	SCRNBX-R	6"	TRIM #16
9	6	WT-1	10'-3"	

MEMBER TABLE				
FRAME LINE G				
QUAN	MARK	PART	LENGTH	
1	E-2	83LEDS14	19'-11 1/2"	
1	E-4	83LEDS14	19'-11 1/2"	
1	E-5	83LEDS14	19'-11 1/2"	
1	G-24	8x35C12	19'-5 1/2"	
1	G-29	8x35C12	19'-1 1/2"	
2	G-30	8x25C16	19'-1 1/2"	
2	G-31	8x25C16	19'-5 1/2"	
1	G-32	8x35C12	19'-8 1/2"	
2	G-33	8x25C16	19'-8 1/2"	
2	CB-4	3/8_CBL	22'-9"	

SPECIAL BOLTS					
ID	QUAN	TYPE	DIA	LENGTH	WASH
2	4	A325	1/2"	1 1/4"	0

CONNECTION PLATES			
FRAME LINE G			
ID	QUAN	MARK/PART	
1	2	EEP-2	



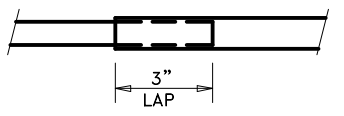
TRANSITION FROM WALL PANEL TO WAINSCOT

APPROVAL DRAWINGS

- APPROVED AS DRAWN
- APPROVED AS NOTED
- NOT APPROVED

____ INITIAL

Please Check And Approve All Dimensions And Conditions. STANDARD STRUCTURES Must Be Notified Of Any Changes.



ALL TRIM LAPS ARE TO BE 3" LONG

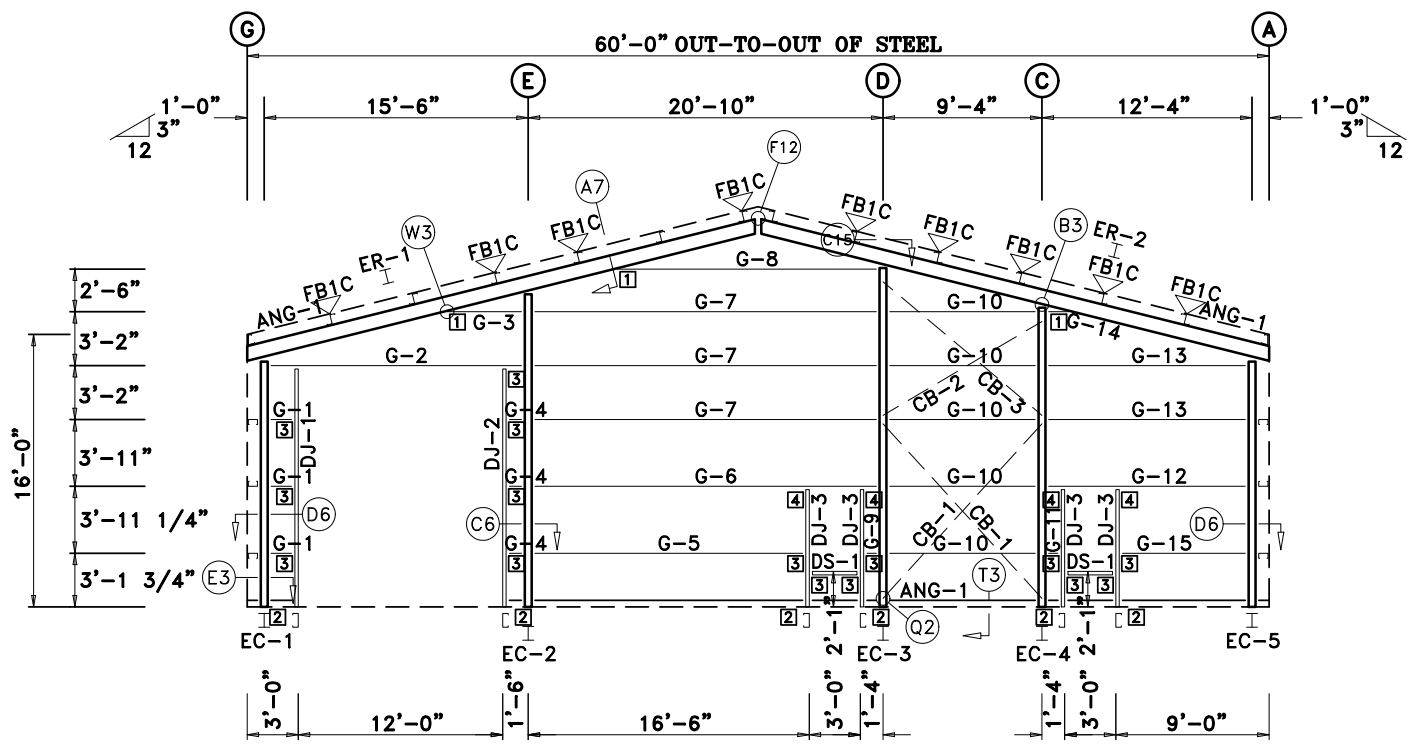
NOTE: If Trim Lap Is More Than 3" Long, The Trim May Not Cover The Required Coverage Length.

SSI STANDARD STRUCTURES INC.
 MANUFACTURER OF METAL BUILDINGS & COMPONENTS
 P.O. BOX 1912
 ODESSA, TX. 79760
 1-800-240-0335

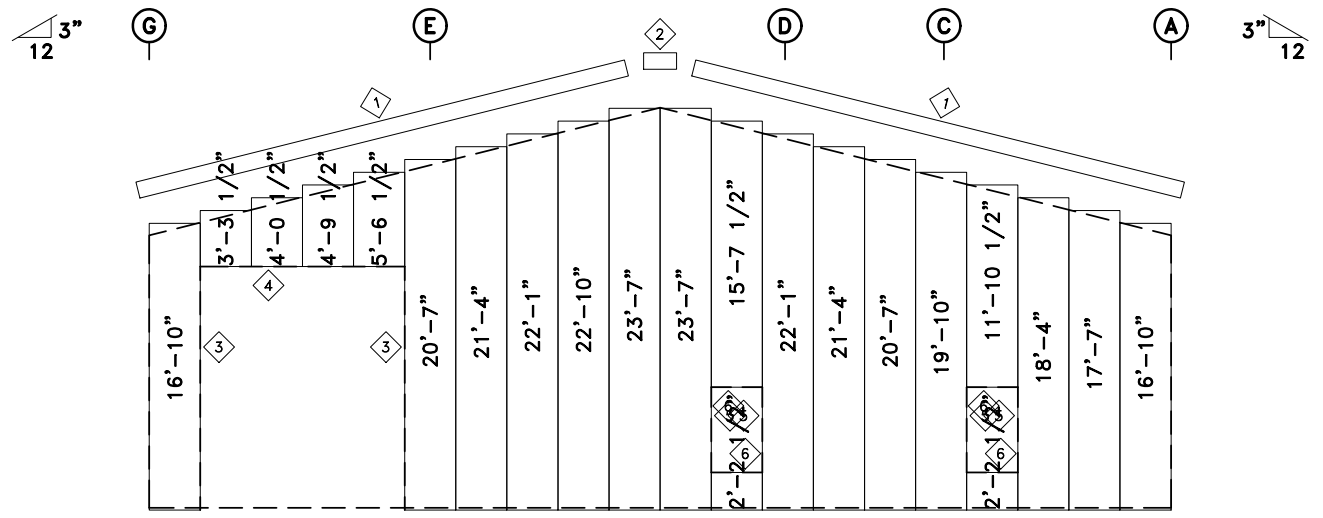
IAS
 ACCREDITED™
 Metal Building Systems
 AC 472

APPROVAL & PERMIT

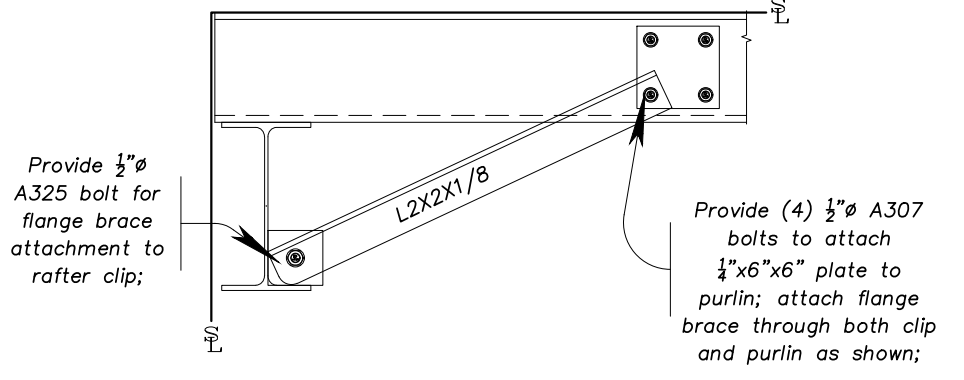
JOB NAME: Cozart Metal Building Systems
PROJECT NAME: Steed Homes
JOB LOCATION: Pecan Plantation, TX 76049
DRAWING TITLE: <i>SIDEWALL DRAWING</i>
DATE: 1/5/26
DET:
JOB NO.: 25112
PG.: E-6



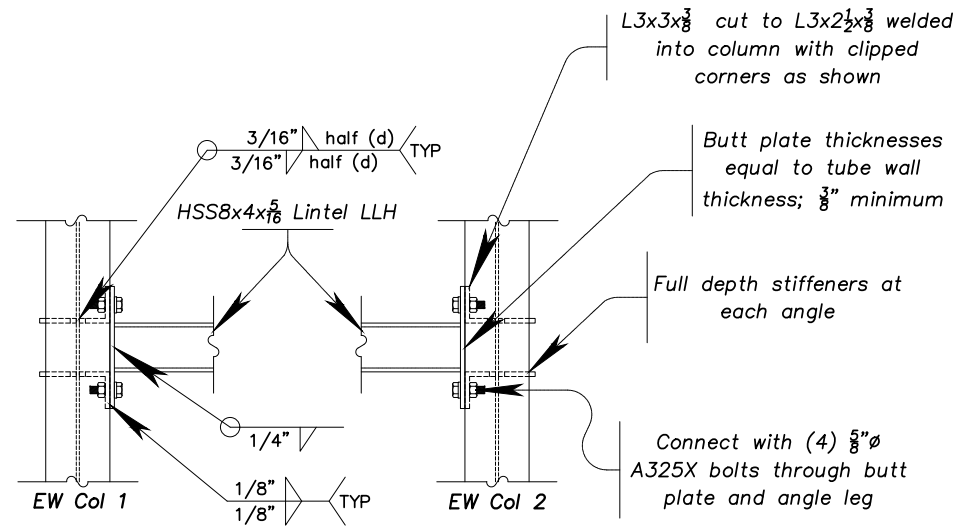
ENDWALL FRAMING: FRAME LINE 1



ENDWALL SHEETING & TRIM: FRAME LINE 1
PANELS: 26 Ga. PBR - Sahara Tan



Frame Line 1 - Special Flange Brace C Detail



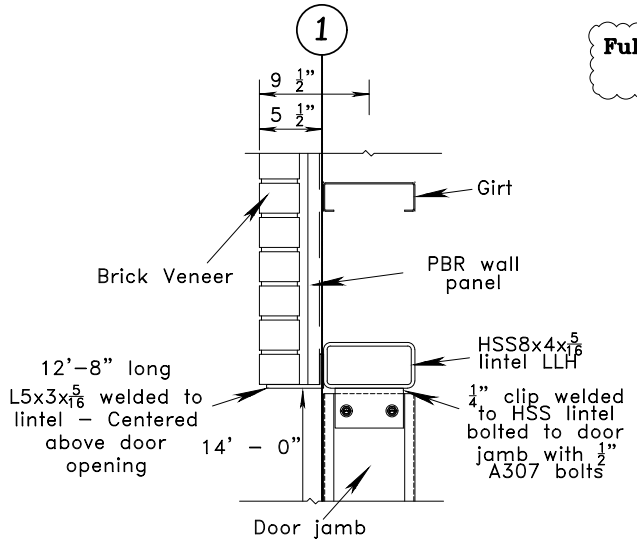
TRIM TABLE				
FRAME LINE 1				
ID	QUAN	PART	LENGTH	DETAIL
1	4	RAKER243	15'-11"	TRIM #3
2	1	PEAKBX-R	1'-2"	TRIM #15
3	2	JMBTR243	14'-4"	TRIM #6
4	1	HEADR243	12'-4"	TRIM #8
5	4	JMBTR243	5'-4"	TRIM #6
6	4	HEADR243	3'-4"	TRIM #8

BOLT TABLE				
FRAME LINE 1				
LOCATION	QUAN	TYPE	DIA	LENGTH
ER-1/ER-2	4	A325	5/8"	1 3/4"
Columns/Raf	4	A325	1/2"	1 1/4"

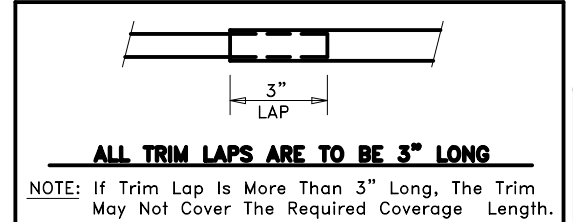
MEMBER TABLE				
FRAME LINE 1				
QUAN	MARK	PART	LENGTH	
1	EC-1	W8X18	14'-11 1/4"	
1	EC-2	W8X18	18'-9 3/4"	
1	EC-3	W8X10	20'-4 1/8"	
1	EC-4	W8X10	18'-0 1/8"	
1	EC-5	W8X10	14'-11 1/8"	
1	ER-1	W8X10	30'-11 1/16"	
1	ER-2	W8X10	30'-11 1/16"	
1	DJ-1	8x35C16	15'-3 3/8"	
1	DJ-2	8x35C16	17'-0 1/4"	
4	DJ-3	8x35C16	7'-0 3/4"	
2	DS-1	8x35C16	3'-0"	
3	G-1	8x25C16	1'-5 3/8"	
1	G-2	HSS8x4x5/16	15'-0 1/4"	
1	G-3	8x25C16	5'-1 3/8"	
3	G-4	8x25C16	11 3/8"	
1	G-5	8x25C14	15'-11 3/8"	
1	G-6	8x25C14	20'-4 7/8"	
3	G-7	8x25C14	20'-4 7/8"	
1	G-8	8x25C14	16'-0"	
1	G-9	8x25C14	10"	
5	G-10	8x25C16	8'-11 1/2"	
1	G-11	8x25C16	10"	
1	G-12	8x25C16	11'-11 1/2"	
2	G-13	8x25C16	11'-11 1/2"	
1	G-14	8x25C16	2'-0"	
1	G-15	8x25C16	7'-6"	
2	CB-1	3/8_CBL	11'-10"	
1	CB-2	3/8_CBL	9'-3"	
1	CB-3	3/8_CBL	10'-8"	

FLANGE BRACE TABLE			
FRAME LINE 1			
ID	QUAN	MARK	LENGTH
1	9	FB1C	2'-5"

CONNECTION PLATES			
FRAME LINE 1			
ID	QUAN	MARK/PART	
1	3	b1	
2	6	C-104	
3	15	C-5	
4	4	j2	



Full height brick by others over PBR panels



APPROVAL DRAWINGS

APPROVED AS DRAWN
 APPROVED AS NOTED
 NOT APPROVED

____ INITIAL

Please Check And Approve All Dimensions And Conditions. STANDARD STRUCTURES Must Be Notified Of Any Changes.

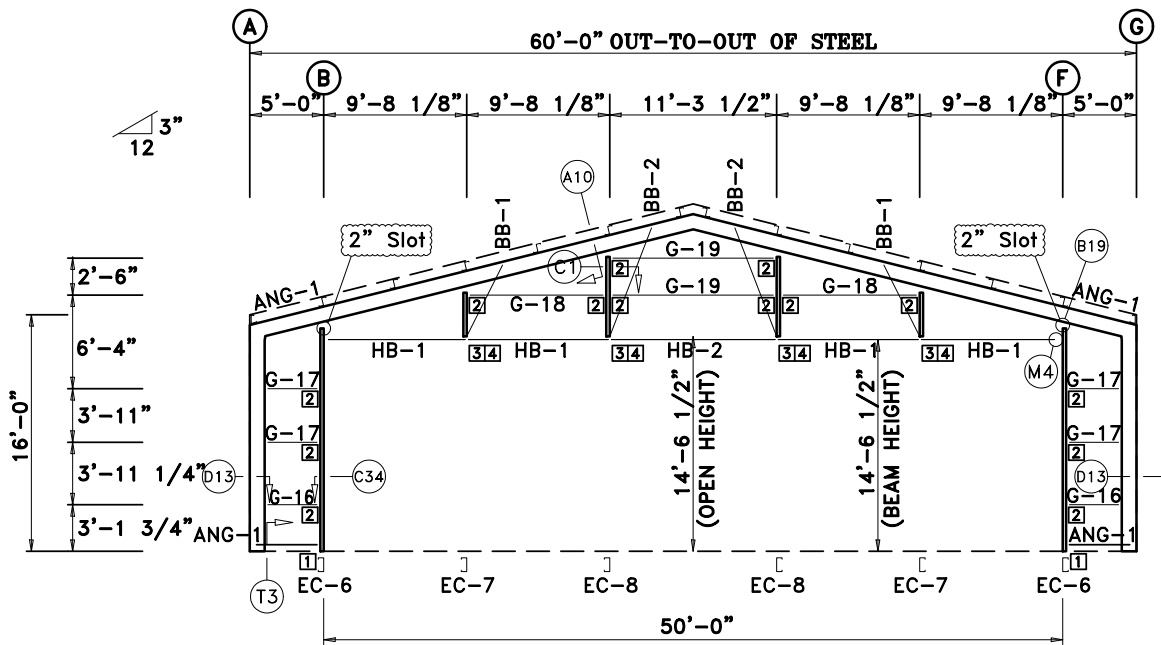
SSI STANDARD STRUCTURES INC.
MANUFACTURER OF METAL BUILDINGS & COMPONENTS

P.O. BOX 1912
ODESSA, TX. 79760
1-800-240-0335

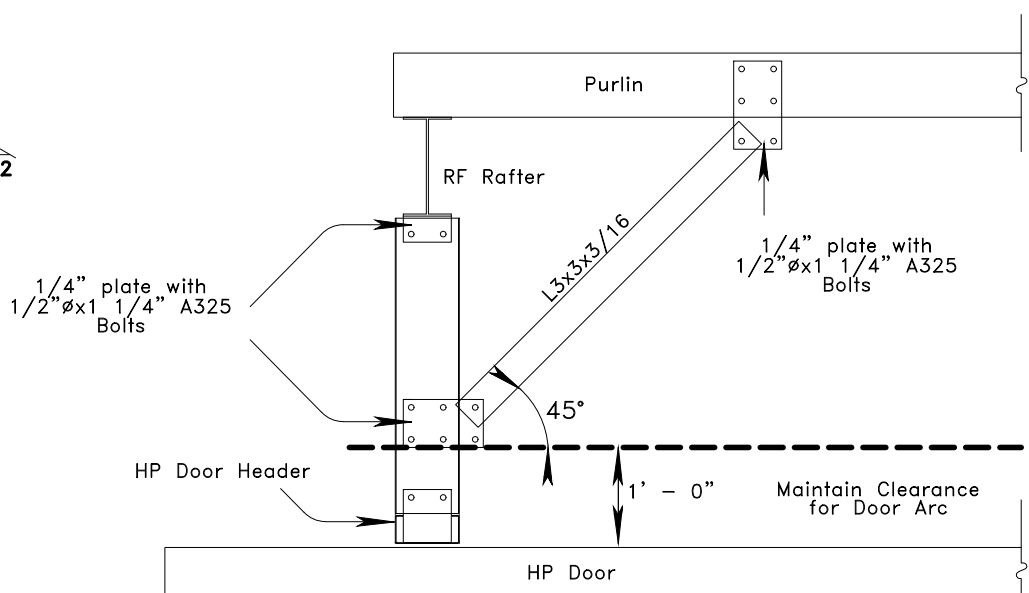
IAS
ACCREDITED™
Metal Building Systems
AC 472

APPROVAL & PERMIT

JOB NAME: Cozart Metal Building Systems
PROJECT NAME: Steed Homes
JOB LOCATION: Pecan Plantation, TX 76049
DRAWING TITLE: **ENDWALL DRAWING**
DATE: 1/5/26 DET: JOB NO.: 25112 PG.: E-7



ENDWALL FRAMING: FRAME LINE 4



**TRIM TABLE
FRAME LINE 4**

ID	QUAN	PART	LENGTH	DETAIL
1	4	RAKER243	15'-11"	TRIM #3
2	1	PEAKBX-R	1'-2"	TRIM #15
3	2	WT-1	10'-3"	

**BOLT TABLE
FRAME LINE 4**

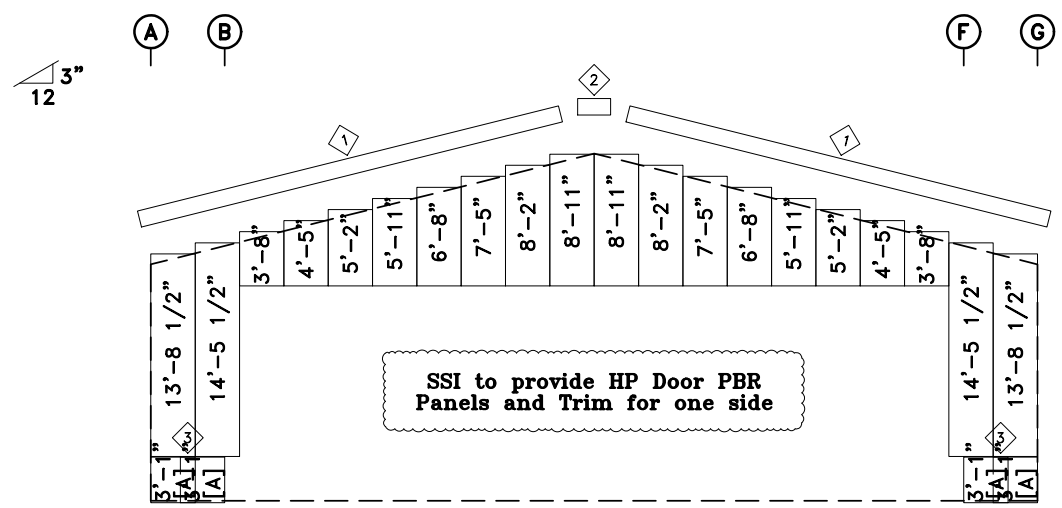
LOCATION	QUAN	TYPE	DIA	LENGTH
Columns/Raf	4	A325	1/2"	1 1/4"
Back Braces	1	A325	1/2"	1 1/4"

**MEMBER TABLE
FRAME LINE 4**

QUAN	MARK	PART	LENGTH
4	HB-1	8x35C16	9'-4 1/8"
1	HB-2	8x35C16	11'-3"
2	BB-1	L3X3X3/16	10'-3 15/16"
2	BB-2	L3X3X3/16	11'-3 7/8"
2	EC-6	8x35C16	15'-5 1/8"
2	EC-7	8x35C16	3'-3 11/16"
2	EC-8	8x35C16	5'-8 11/16"
2	G-16	8x35C12	3'-7 3/4"
4	G-17	8x25C16	3'-7 3/4"
2	G-18	8x25C16	9'-4 1/8"
2	G-19	8x25C16	11'-3"

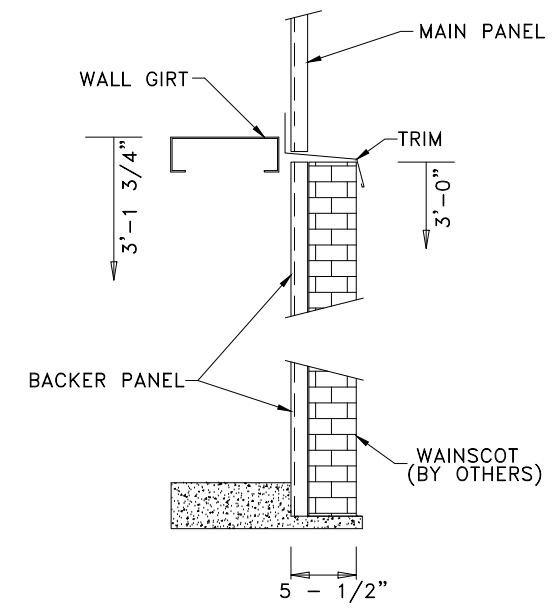
**CONNECTION PLATES
FRAME LINE 4**

ID	QUAN	MARK/PART
1	2	C-104
2	14	C-5
3	4	r1
4	4	r2

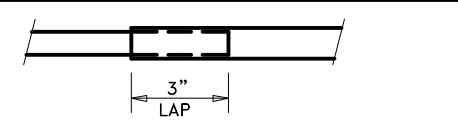
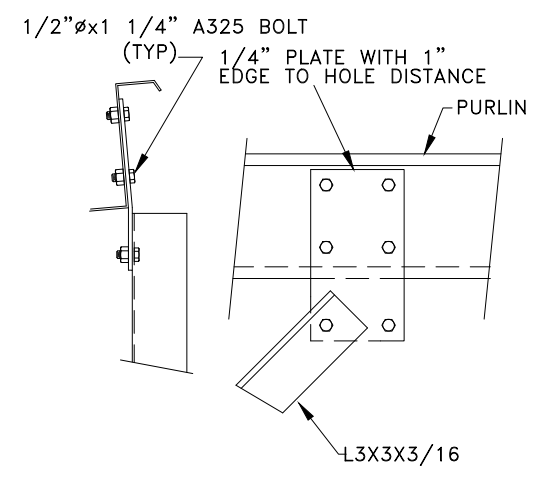


ENDWALL SHEETING & TRIM: FRAME LINE 4

PANELS: 26 Ga. PBR - Sahara Tan
[A] PANELS: 26 Ga. PBR - Brick By Others Over Panels By SSI - Sahara Tan



**TRANSITION FROM WALL
PANEL TO WAINSCOT**



ALL TRIM LAPS ARE TO BE 3" LONG
NOTE: If Trim Lap Is More Than 3" Long, The Trim May Not Cover The Required Coverage Length.

APPROVAL DRAWINGS

- APPROVED AS DRAWN
- APPROVED AS NOTED
- NOT APPROVED

____ INITIAL

Please Check And Approve All Dimensions And Conditions. STANDARD STRUCTURES Must Be Notified Of Any Changes.

SSI STANDARD STRUCTURES INC.
MANUFACTURER OF METAL BUILDINGS & COMPONENTS

P.O. BOX 1912
ODESSA, TX. 79760
1-800-240-0335

IAS

ACCREDITED™
Metal Building Systems
AC 472

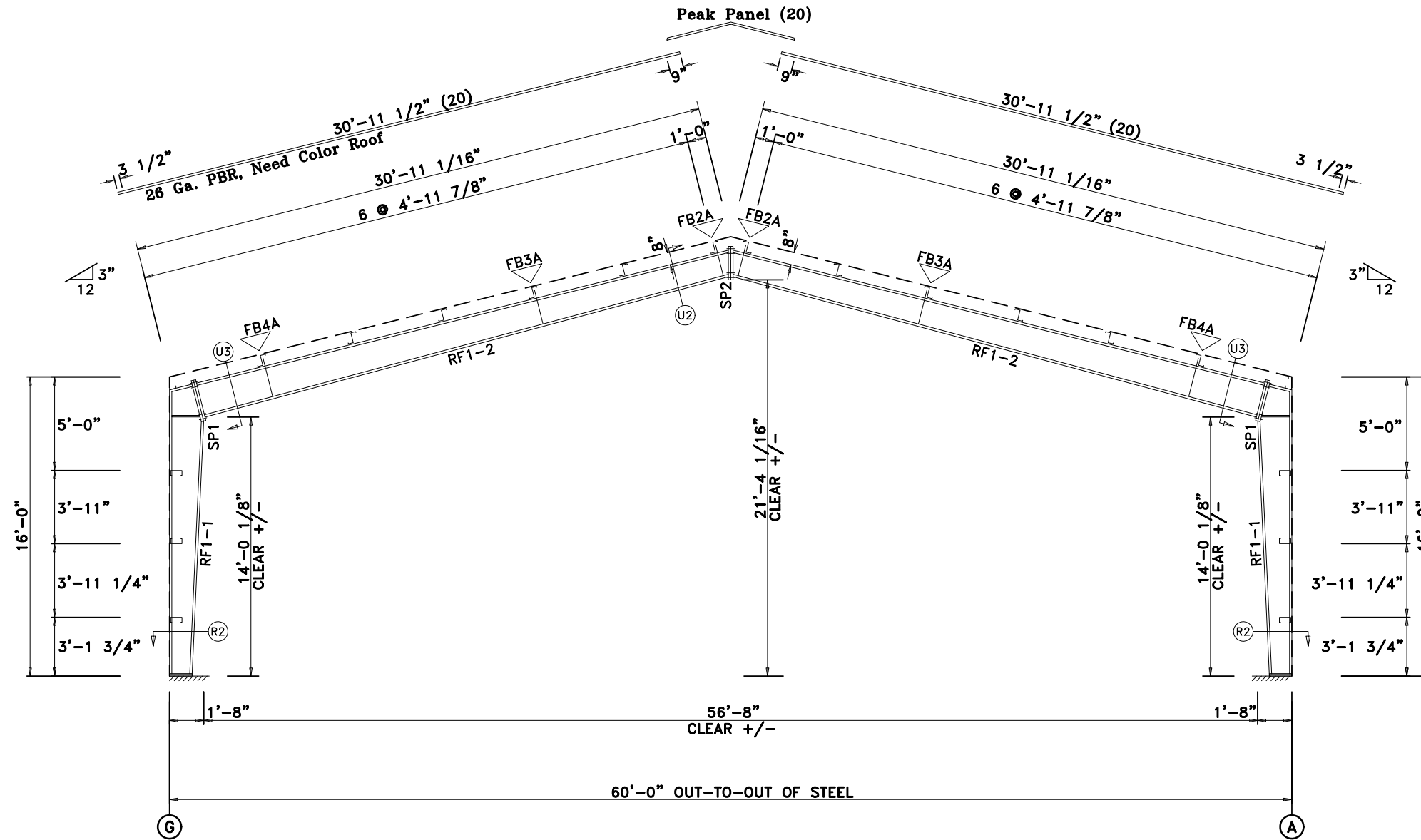
APPROVAL & PERMIT

JOB NAME: Cozart Metal Building Systems
PROJECT NAME: Steed Homes
JOB LOCATION: Pecan Plantation, TX 76049
DRAWING TITLE: **ENDWALL DRAWING**
DATE: 1/5/26 DET: JOB NO.: 25112 PG.: E-8

SPLICE PLATE & BOLT TABLE									
Mark	Qty		Int	Type	Dia	Length	Width	Thick	Length
	Top	Bot							
SP1	4	4	0	A325	3/4"	2"	6"	1/2"	2'-3"
SP2	4	4	0	A325	5/8"	1 3/4"	6"	3/8"	1'-9"

MEMBER TABLE						
Mark	Web Depth		Web Plate		Outside Flange W x Thk x Length	Inside Flange W x Thk x Length
	Start/End	Thick	Thick	Length		
RF1-1	11.4/19.4	0.135	0.188	162.5	6 x 1/4" x 183.0	6 x 5/16" x 164.3
RF1-2	19.4/19.4	0.188	0.135	24.0	6 x 1/4" x 14.4	
	17.5/13.5	0.135	0.135	240.0	6 x 1/4" x 355.2	6 x 1/4" x 351.8

▽ FLANGE BRACES: Both Sides(U.N.)
 FBxxA(1)
 A - F2X2X14g



RIGID FRAME SECTION: FRAME LINE 2 3

APPROVAL DRAWINGS

- APPROVED AS DRAWN
- APPROVED AS NOTED
- NOT APPROVED

____ INITIAL

Please Check And Approve All Dimensions
 And Conditions. STANDARD STRUCTURES
 Must Be Notified Of Any Changes.

SSI STANDARD STRUCTURES INC.
 MANUFACTURER OF METAL BUILDINGS & COMPONENTS

P.O. BOX 1912
 ODESSA, TX. 79760
 1-800-240-0335



ACCREDITED™
 Metal Building Systems
 AC 472

APPROVAL & PERMIT

JOB NAME: Cozart Metal Building Systems
 PROJECT NAME: Steed Homes

JOB LOCATION: Pecan Plantation, TX 76049

DRAWING TITLE: RIGID FRAME SECTION

DATE: 1/5/26

DET:

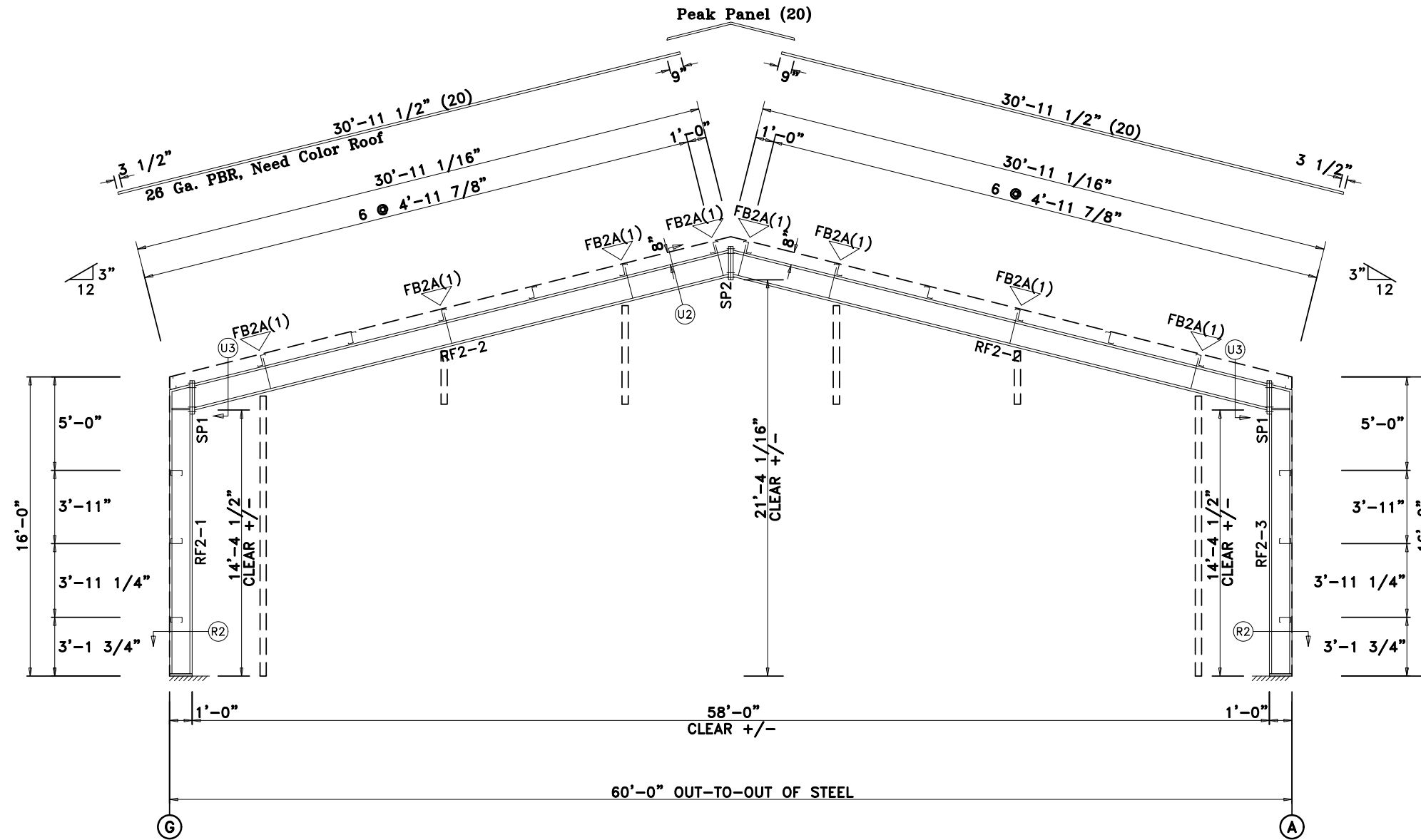
JOB NO.: 25112

PG.: E-9

SPLICE PLATE & BOLT TABLE									
Mark	Qty		Int	Type	Dia	Length	Width	Thick	Length
	Top	Bot							
SP1	4	4	0	A325	3/4"	2"	6"	1/2"	1'-9"
SP2	4	4	0	A325	5/8"	1 3/4"	6"	3/8"	1'-9"

MEMBER TABLE								
Mark	Web Depth		Web Plate		Outside Flange		Inside Flange	
	Start/End	Thick	Thick	Length	W x Thk x Length	W x Thk x Length		
RF2-1	11.5/11.5	0.135	0.188	162.1	6 x 1/4" x 183.1	6 x 1/4" x 168.7		
RF2-2	11.5/11.5	0.188	0.135	24.0	6 x 1/4" x 12.0	6 x 1/4" x 12.0		
	13.5/13.5	0.135	0.135	240.0	6 x 1/4" x 357.5	6 x 1/4" x 357.5		
RF2-3	11.5/11.5	0.188	0.135	24.0	6 x 1/4" x 12.0	6 x 1/4" x 168.7		
	11.5/11.5	0.135	0.135	162.1	6 x 1/4" x 183.1	6 x 1/4" x 183.1		

FLANGE BRACES: Both Sides(U.N.)
 FBxxA(1)
 A - F2X2X14g



RIGID FRAME SECTION: FRAME LINE 4

APPROVAL DRAWINGS

- APPROVED AS DRAWN
- APPROVED AS NOTED
- NOT APPROVED

____ INITIAL

Please Check And Approve All Dimensions
 And Conditions. STANDARD STRUCTURES
 Must Be Notified Of Any Changes.

SSI STANDARD STRUCTURES INC.
 MANUFACTURER OF METAL BUILDINGS & COMPONENTS

P.O. BOX 1912
 ODESSA, TX. 79760
 1-800-240-0335



ACCREDITED™
 Metal Building Systems
 AC 472

APPROVAL & PERMIT

JOB NAME: Cozart Metal Building Systems

PROJECT NAME: Steed Homes

JOB LOCATION: Pecan Plantation, TX 76049

DRAWING TITLE: RIGID FRAME SECTION

DATE: 1/5/26

DET:

JOB NO.: 25112

PG.: E-10