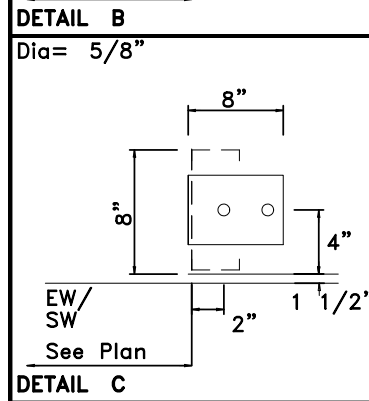
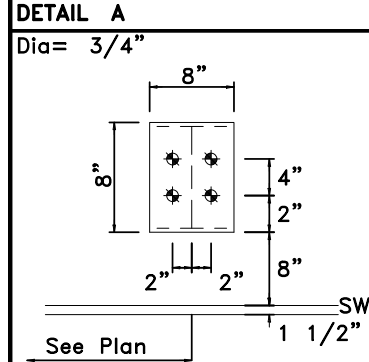
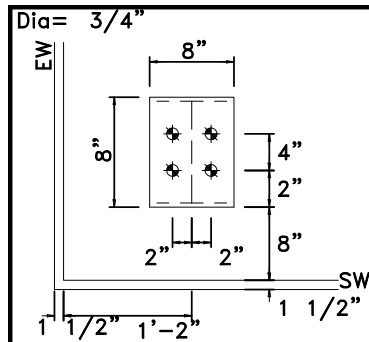
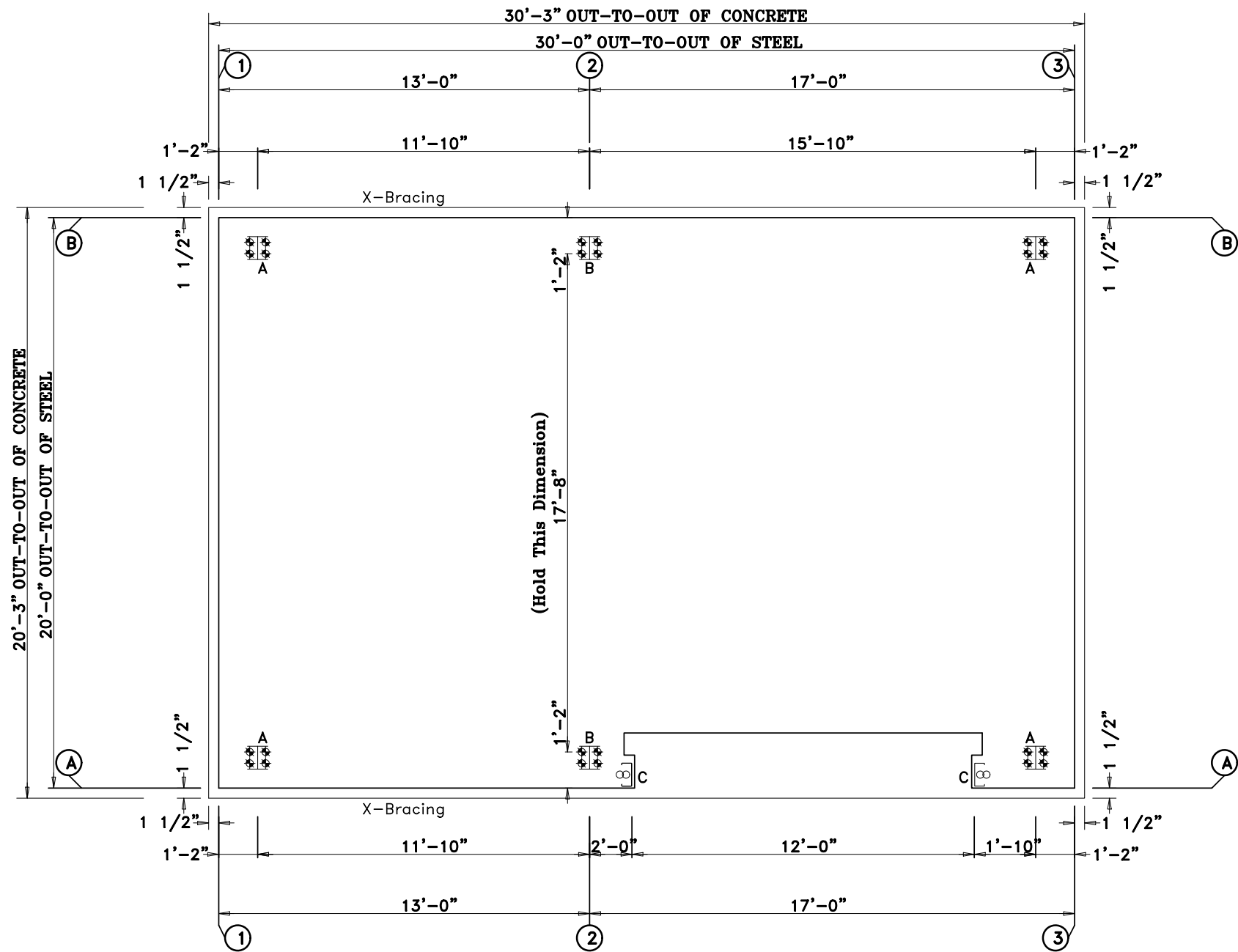


Job# 25900  
Final Design

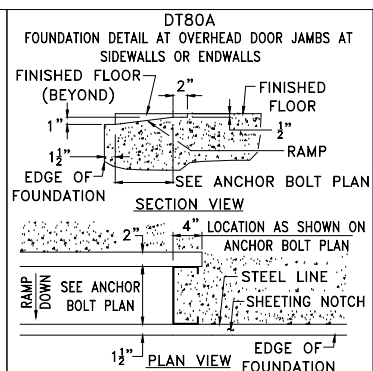
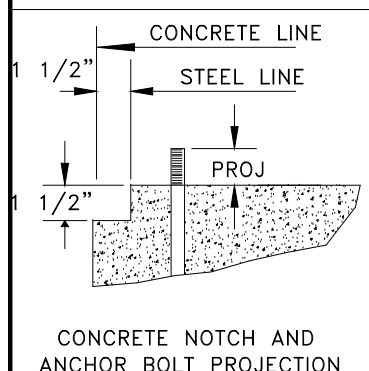


**ANCHOR BOLT SUMMARY**

Qty	Locate	Di (in)	Type	Total Len (in)	Proj (in)
4	Jamb	5/8"	A307	12.0	1.50
24	Frame	3/4"	A307	18.0	2.00



**ANCHOR BOLT PLAN**  
NOTE: All Base Plates @ 100'-0" (U.N.)



**APPROVAL DRAWINGS**

APPROVED AS DRAWN  
 APPROVED AS NOTED  
 NOT APPROVED

\_\_\_\_ INITIAL

Please Check And Approve All Dimensions And Conditions. STANDARD STRUCTURES Must Be Notified Of Any Changes.

**SSI** STANDARD STRUCTURES INC.  
 MANUFACTURER OF METAL BUILDINGS & COMPONENTS  
 P.O. BOX 1912  
 ODESSA, TX. 79760  
 1-800-240-0335

**IAS**  
 ACCREDITED™  
 Metal Building Systems  
 AC 472

**APPROVAL & PERMIT**

JOB NAME: John P Evans  
 PROJECT NAME: Fun Valley Riverside Well  
 JOB LOCATION: South Fork, CO 81154  
 DRAWING TITLE: ANCHOR BOLT PLAN  
 DATE: 5/14/25 DET: JOB NO.: 25900 PG.: E-1

**NOTES FOR REACTIONS**

Building reactions are based on the following building data:  
 Width (ft) = 20.0  
 Length (ft) = 30.0  
 Eave Height (ft) = 14.0 / 14.0  
 Roof Slope (rise/12) = 3.00 / 3.00  
 Roof Dead Load (psf) = 3.0  
 Wall Dead Load (psf) = 3.0  
 Left Endwall (psf) = 3.0  
 Right Endwall (psf) = 3.0  
 Front Sidewall (psf) = 2.0  
 Back Sidewall (psf) = 2.0  
 Live Load (psf) = 20.0  
 Collateral Load (psf) = 1.0  
 Snow Load (psf) = 77.0  
 Wind Speed (mph) = 111.0  
 Wind Code = IBC 2018  
 Exposure = C  
 Closure = Enclosed  
 Internal Wind Coeff = -0.18, +0.18  
 Risk Category = III- High  
 Importance - Seismic = 1.25  
 Seismic Design Category = C  
 Seismic Coeff (Sms) = 0.47

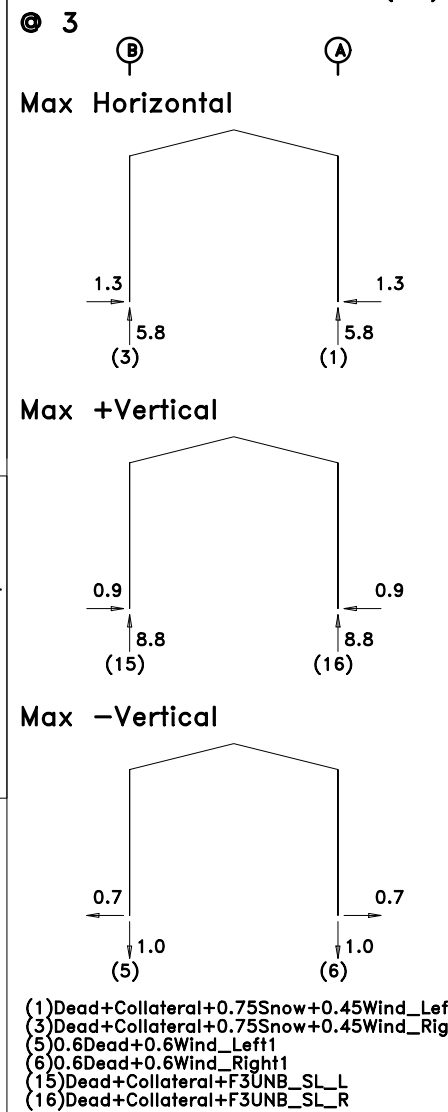
**BUILDING BRACING REACTIONS**

Wall Loc	Line	Col Line	± Reactions(k)		Panel Shear (lb/ft)		Note
			0.6Wind Horz	0.6Wind Vert	Seismic Horz	Seismic Vert	
L_EW	1						(h)
F_SW	A	1,2	0.7	0.8	1.0	1.0	(h)
R_EW	3						(h)
B_SW	B	2,1	0.7	0.8	1.0	1.0	

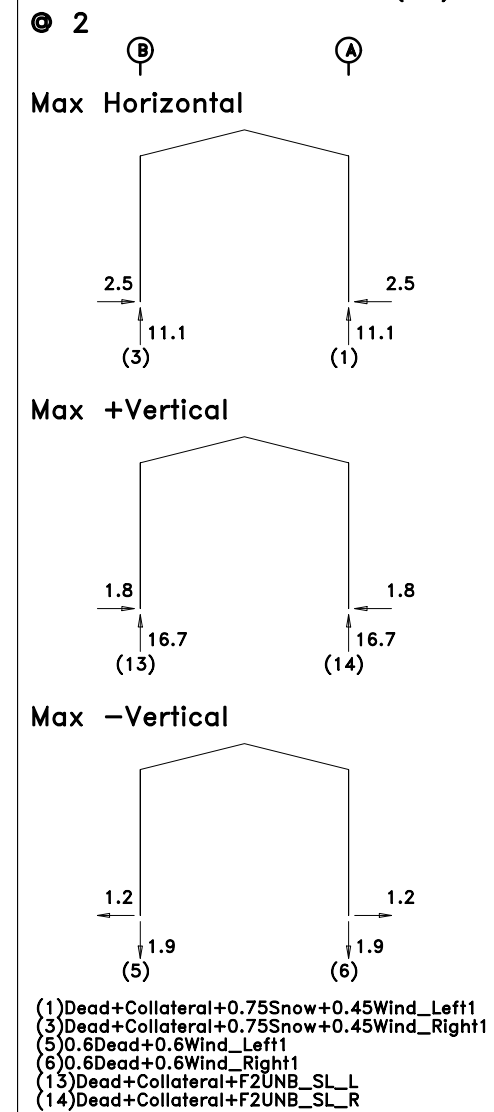
(h) Rigid frame at endwall

Reactions for seismic represent shear force, Eh

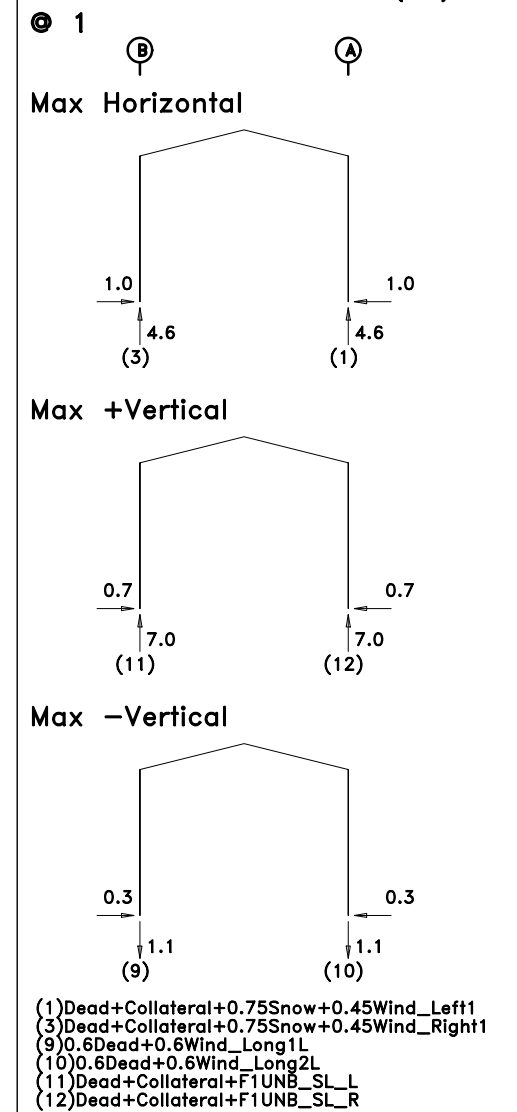
**RIGID FRAME REACTIONS (k)**



**RIGID FRAME REACTIONS (k)**



**RIGID FRAME REACTIONS (k)**



**APPROVAL DRAWINGS**

- APPROVED AS DRAWN
- APPROVED AS NOTED
- NOT APPROVED

\_\_\_\_ INITIAL

Please Check And Approve All Dimensions And Conditions. STANDARD STRUCTURES Must Be Notified Of Any Changes.



P.O. BOX 1912  
 ODESSA, TX. 79760  
 1-800-240-0335



ACCREDITED™  
 Metal Building Systems  
 AC 472

**APPROVAL & PERMIT**

JOB NAME: John P Evans

PROJECT NAME: Fun Valley Riverside Well

JOB LOCATION: South Fork, CO 81154

DRAWING TITLE: ANCHOR BOLT REACTIONS

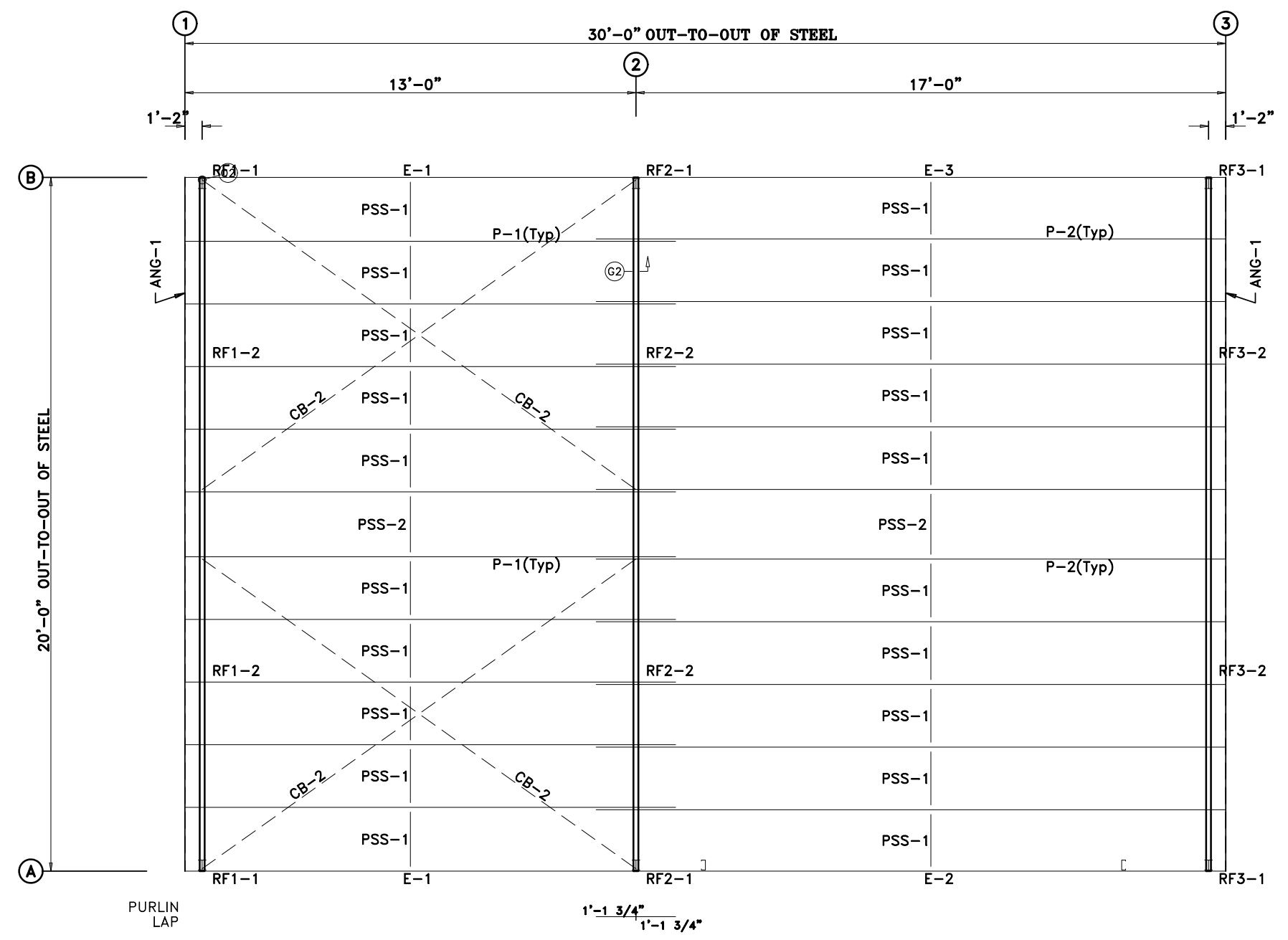
DATE: 5/14/25

DET:

JOB NO.: 25900

PG.: E-2

MEMBER TABLE			
ROOF PLAN			
QUAN	MARK	PART	LENGTH
10	P-1	8x25Z14	14'-1 1/2"
10	P-2	8x25Z14	18'-1 1/2"
2	E-1	83LEDS14	12'-11 1/2"
1	E-2	83LEDS14	16'-11 1/2"
1	E-3	83LEDS14	16'-11 1/2"
4	CB-2	1/4_CBL	12'-9"
2	PSS-2	8x25C16	1'-11 5/16"
20	PSS-1	8x25C16	1'-10 3/8"



ROOF FRAMING PLAN

**APPROVAL DRAWINGS**

- APPROVED AS DRAWN
- APPROVED AS NOTED
- NOT APPROVED

\_\_\_\_ INITIAL

Please Check And Approve All Dimensions And Conditions. STANDARD STRUCTURES Must Be Notified Of Any Changes.

**SSI** STANDARD STRUCTURES INC.  
 MANUFACTURER OF METAL BUILDINGS & COMPONENTS  
 P.O. BOX 1912  
 ODESSA, TX. 79760  
 1-800-240-0335

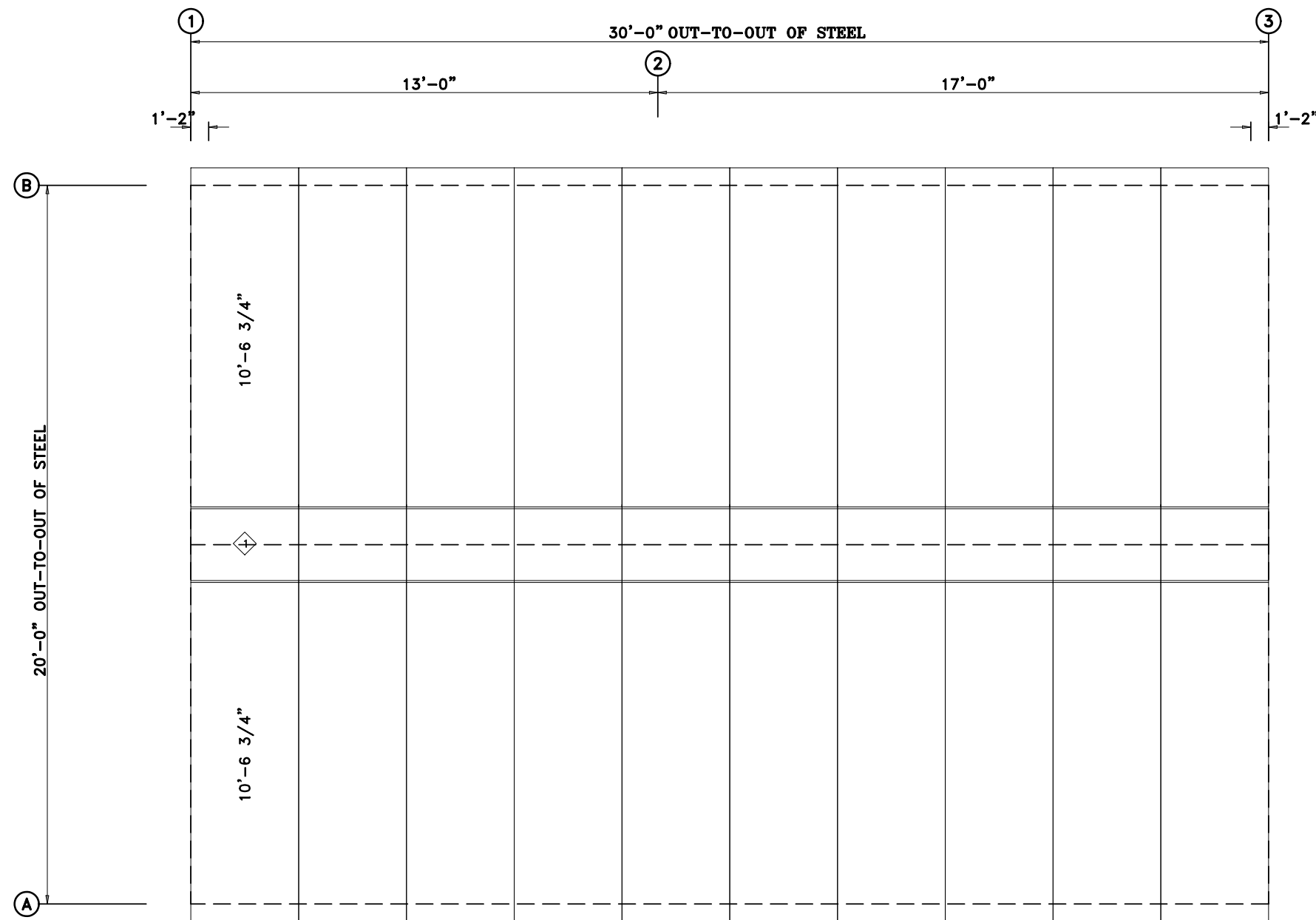


ACCREDITED™  
 Metal Building Systems  
 AC 472

**APPROVAL & PERMIT**

JOB NAME: John P Evans  
 PROJECT NAME: Fun Valley Riverside Well  
 JOB LOCATION: South Fork, CO 81154  
 DRAWING TITLE: ROOF FRAMING PLAN  
 DATE: 5/14/25 DET: \_\_\_\_\_ JOB NO.: 25900 PG.: E-3

TRIM TABLE				
ROOF PLAN				
◇ ID	QUAN	PART	LENGTH	DETAIL
1	10	PEAK 26R	3'-0"	TRIM #1



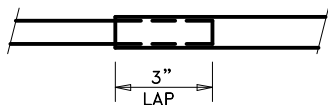
**ROOF SHEETING PLAN**  
**PANELS: 26 Ga. PBR - Rustic Red**

**APPROVAL DRAWINGS**

- APPROVED AS DRAWN
- APPROVED AS NOTED
- NOT APPROVED

\_\_\_\_ INITIAL

Please Check And Approve All Dimensions  
 And Conditions. **STANDARD STRUCTURES**  
 Must Be Notified Of Any Changes.



**ALL TRIM LAPS ARE TO BE 3" LONG**

NOTE: If Trim Lap Is More Than 3" Long, The Trim  
 May Not Cover The Required Coverage Length.

**SSI** STANDARD STRUCTURES INC.  
 MANUFACTURER OF METAL BUILDINGS & COMPONENTS  
 P.O. BOX 1912  
 ODESSA, TX. 79760  
 1-800-240-0335

**IAS**  
 ACCREDITED™  
 Metal Building Systems  
 AC 472

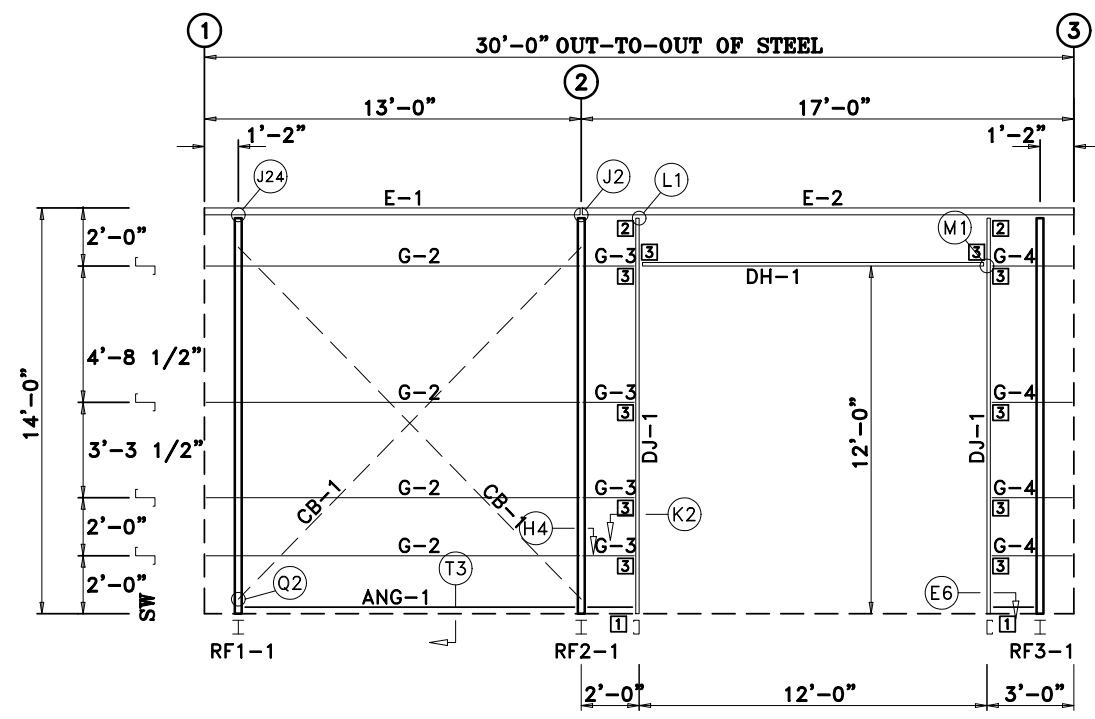
**APPROVAL & PERMIT**

JOB NAME: John P Evans  
 PROJECT NAME: Fun Valley Riverside Well  
 JOB LOCATION: South Fork, CO 81154  
 DRAWING TITLE: *ROOF FRAMING PLAN*  
 DATE: 5/14/25 DET: JOB NO.: 25900 PG.: E-4

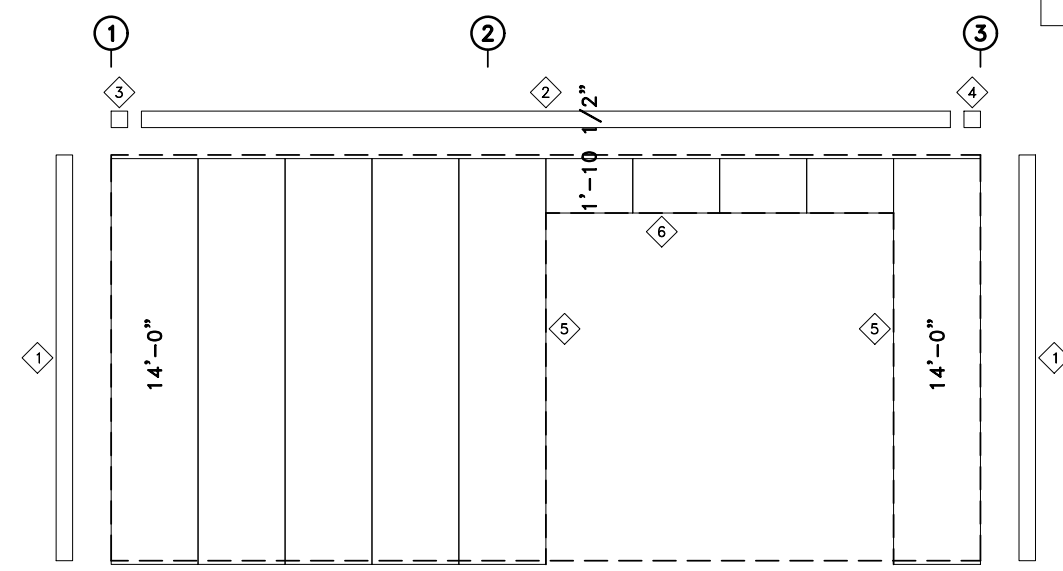
TRIM TABLE				
FRAME LINE A				
ID	QUAN	PART	LENGTH	DETAIL
1	2	CRNTR243	14'-1"	TRIM #2
2	3	EAVR123	10'-3"	TRIM #4
3	1	RAKEECLH	6"	TRIM #17
4	1	RAKEECRH	6"	TRIM #17
5	2	JMBTR243	12'-2"	TRIM #6
6	1	HEADR243	12'-4"	TRIM #8

MEMBER TABLE				
FRAME LINE A				
QUAN	MARK	PART	LENGTH	
2	DJ-1	8x35C16	13'-3 1/2"	
1	DH-1	8x35C16	12'-0"	
1	E-1	83LEDS14	12'-11 1/2"	
1	E-2	83LEDS14	16'-11 1/2"	
4	G-2	8x25Z16	12'-11 1/2"	
4	G-3	8x25Z16	1'-8"	
4	G-4	8x25Z16	2'-8"	
2	CB-1	1/4_CBL	15'-10"	

CONNECTION PLATES			
FRAME LINE A			
ID	QUAN	MARK/PART	
1	2	C-104	
2	2	C11-8x3	
3	10	C-5	



SIDEWALL FRAMING: FRAME LINE A



SIDEWALL SHEETING & TRIM: FRAME LINE A  
PANELS: 26 Ga. PBR - Sahara Tan

**ALL TRIM LAPS ARE TO BE 3" LONG**

NOTE: If Trim Lap Is More Than 3" Long, The Trim May Not Cover The Required Coverage Length.

### APPROVAL DRAWINGS

APPROVED AS DRAWN  
 APPROVED AS NOTED  
 NOT APPROVED

\_\_\_\_ INITIAL

Please Check And Approve All Dimensions And Conditions. STANDARD STRUCTURES Must Be Notified Of Any Changes.

**SSI** STANDARD STRUCTURES INC.  
 MANUFACTURER OF METAL BUILDINGS & COMPONENTS  
 P.O. BOX 1912  
 ODESSA, TX. 79760  
 1-800-240-0335

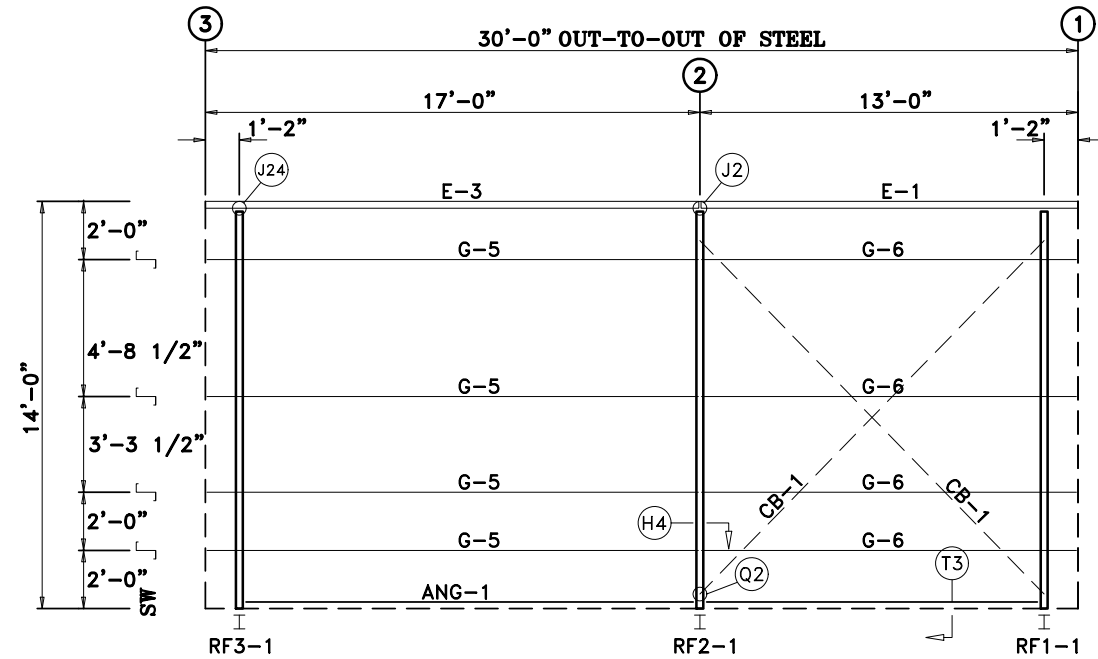
**IAS**  
 ACCREDITED™  
 Metal Building Systems  
 AC 472

### APPROVAL & PERMIT

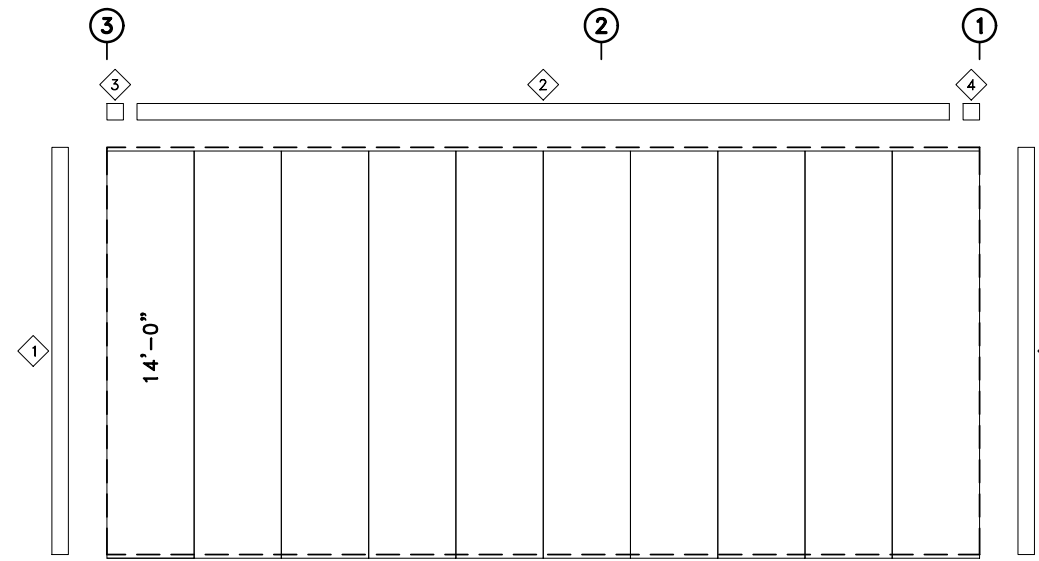
JOB NAME: John P Evans  
 PROJECT NAME: Fun Valley Riverside Well  
 JOB LOCATION: South Fork, CO 81154  
 DRAWING TITLE: *SIDEWALL DRAWING*  
 DATE: 5/14/25 DET: JOB NO.: 25900 PG.: E-5

TRIM TABLE				
FRAME LINE B				
ID	QUAN	PART	LENGTH	DETAIL
1	2	CRNTR243	14'-1"	TRIM #2
2	3	EAVE123	10'-3"	TRIM #4
3	1	RAKEECLH	6"	TRIM #17
4	1	RAKEECLH	6"	TRIM #17

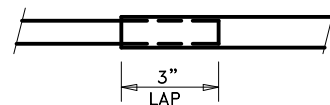
MEMBER TABLE				
FRAME LINE B				
QUAN	MARK	PART	LENGTH	
1	E-1	83LEDS14	12'-11 1/2"	
1	E-3	83LEDS14	16'-11 1/2"	
4	G-5	8x25Z16	16'-11 1/2"	
4	G-6	8x25Z16	12'-11 1/2"	
2	CB-1	1/4_CBL	15'-10"	



**SIDEWALL FRAMING: FRAME LINE B**



**SIDEWALL SHEETING & TRIM: FRAME LINE B**  
 PANELS: 26 Ga. PBR - Sahara Tan



**ALL TRIM LAPS ARE TO BE 3" LONG**

NOTE: If Trim Lap Is More Than 3" Long, The Trim May Not Cover The Required Coverage Length.

**APPROVAL DRAWINGS**

- APPROVED AS DRAWN
- APPROVED AS NOTED
- NOT APPROVED

\_\_\_\_ INITIAL

Please Check And Approve All Dimensions And Conditions. STANDARD STRUCTURES Must Be Notified Of Any Changes.

**SSI** STANDARD STRUCTURES INC.  
 MANUFACTURER OF METAL BUILDINGS & COMPONENTS

P.O. BOX 1912  
 ODESSA, TX. 79760  
 1-800-240-0335



ACCREDITED™  
 Metal Building Systems  
 AC 472

**APPROVAL & PERMIT**

JOB NAME: John P Evans

PROJECT NAME: Fun Valley Riverside Well

JOB LOCATION: South Fork, CO 81154

DRAWING TITLE: *SIDEWALL DRAWING*

DATE: 5/14/25

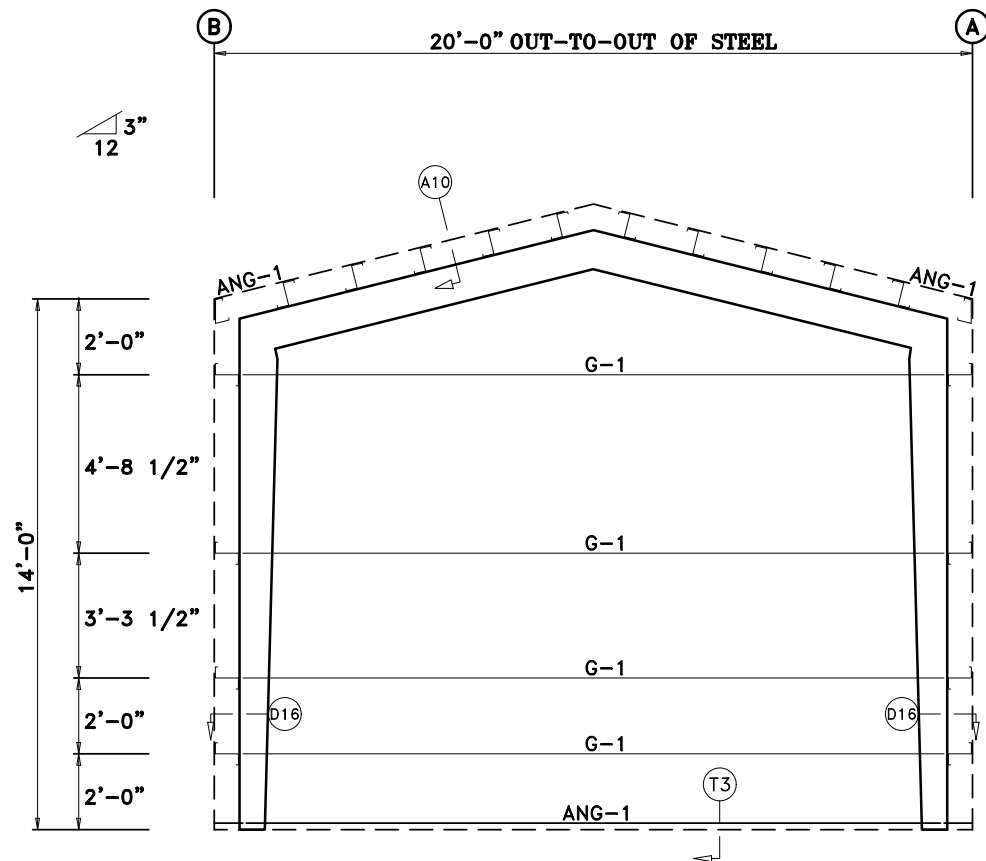
DET:

JOB NO.: 25900

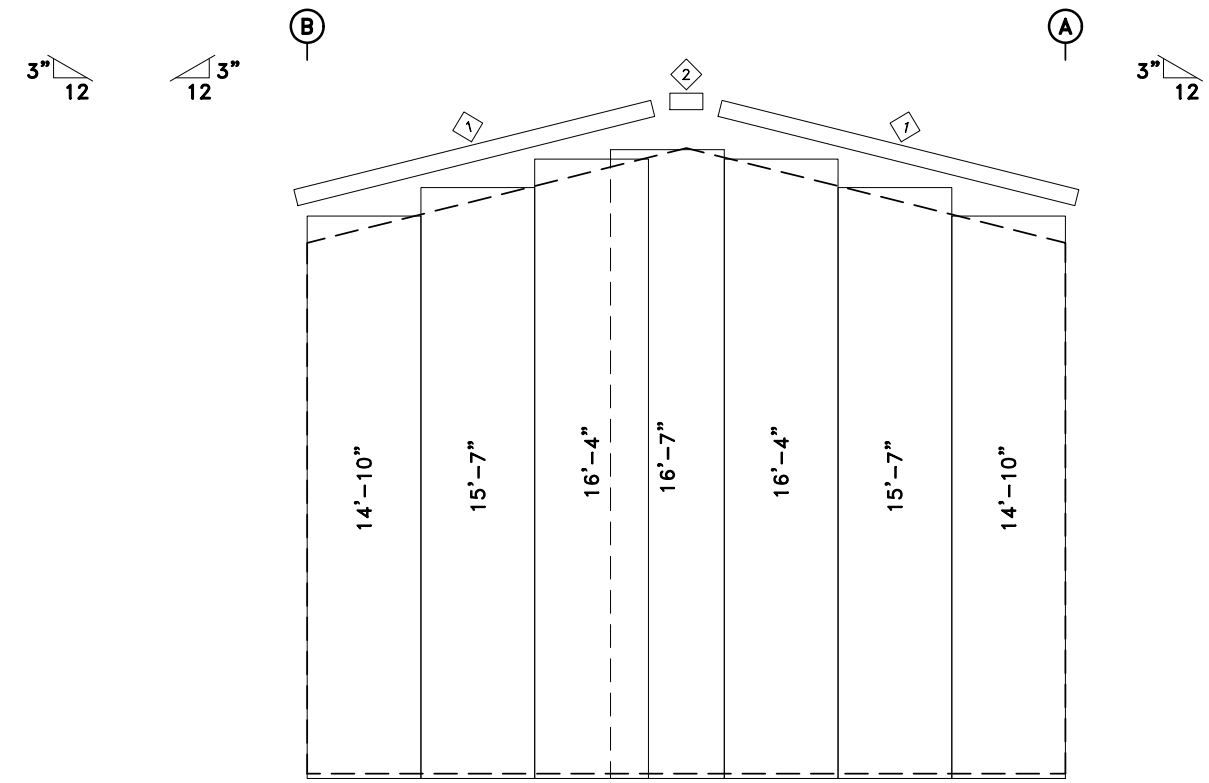
PG.: E-6

TRIM TABLE				
FRAME LINE 1				
ID	QUAN	PART	LENGTH	DETAIL
1	2	RAKER243	10'-10"	TRIM #3
2	1	PEAKBX-R	1'-2"	TRIM #15

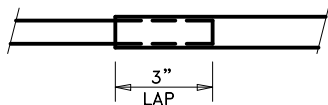
MEMBER TABLE				
FRAME LINE 1				
QUAN	MARK	PART	LENGTH	
4	G-1	8x25Z16	19'-11 1/2"	



ENDWALL FRAMING: FRAME LINE 1



ENDWALL SHEETING & TRIM: FRAME LINE 1  
PANELS: 26 Ga. PBR - Sahara Tan



**ALL TRIM LAPS ARE TO BE 3" LONG**

NOTE: If Trim Lap Is More Than 3" Long, The Trim May Not Cover The Required Coverage Length.

### APPROVAL DRAWINGS

- APPROVED AS DRAWN
- APPROVED AS NOTED
- NOT APPROVED

\_\_\_\_ INITIAL

Please Check And Approve All Dimensions And Conditions. STANDARD STRUCTURES Must Be Notified Of Any Changes.

**SSI** STANDARD STRUCTURES INC.  
MANUFACTURER OF METAL BUILDINGS & COMPONENTS  
P.O. BOX 1912  
ODESSA, TX. 79760  
1-800-240-0335

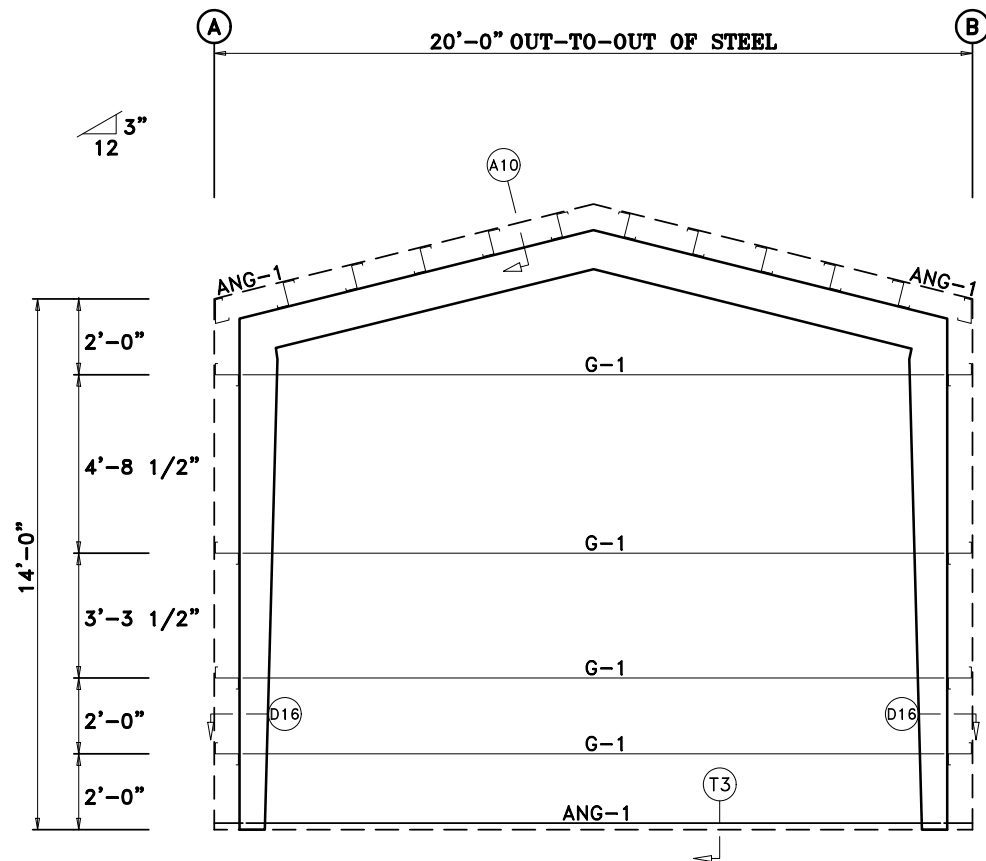


### APPROVAL & PERMIT

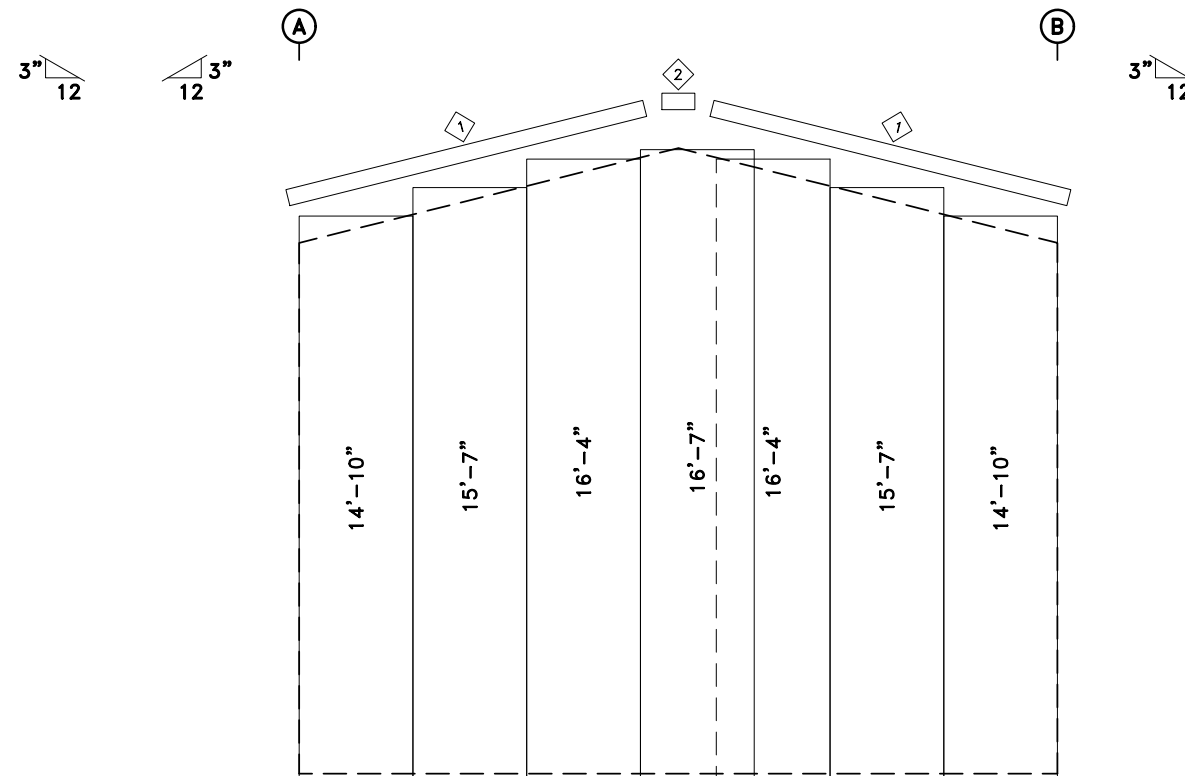
JOB NAME: John P Evans			
PROJECT NAME: Fun Valley Riverside Well			
JOB LOCATION: South Fork, CO 81154			
DRAWING TITLE: ENDWALL DRAWING			
DATE: 5/14/25	DET:	JOB NO.: 25900	PG.: E-7

TRIM TABLE				
FRAME LINE 3				
ID	QUAN	PART	LENGTH	DETAIL
1	2	RAKER243	10'-10"	TRIM #3
2	1	PEAKBX-R	1'-2"	TRIM #15

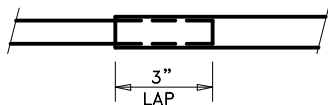
MEMBER TABLE				
FRAME LINE 3				
QUAN	MARK	PART	LENGTH	
4	G-1	8x25Z16	19'-11 1/2"	



ENDWALL FRAMING: FRAME LINE 3



ENDWALL SHEETING & TRIM: FRAME LINE 3  
PANELS: 26 Ga. PBR - Sahara Tan



**ALL TRIM LAPS ARE TO BE 3" LONG**

NOTE: If Trim Lap Is More Than 3" Long, The Trim May Not Cover The Required Coverage Length.

### APPROVAL DRAWINGS

- APPROVED AS DRAWN
- APPROVED AS NOTED
- NOT APPROVED

\_\_\_\_ INITIAL

Please Check And Approve All Dimensions And Conditions. STANDARD STRUCTURES Must Be Notified Of Any Changes.

**SSI** STANDARD STRUCTURES INC.  
MANUFACTURER OF METAL BUILDINGS & COMPONENTS

P.O. BOX 1912  
ODESSA, TX. 79760  
1-800-240-0335



ACCREDITED™  
Metal Building Systems  
AC 472

### APPROVAL & PERMIT

JOB NAME: John P Evans

PROJECT NAME: Fun Valley Riverside Well

JOB LOCATION: South Fork, CO 81154

DRAWING TITLE: *ENDWALL DRAWING*

DATE: 5/14/25

DET:

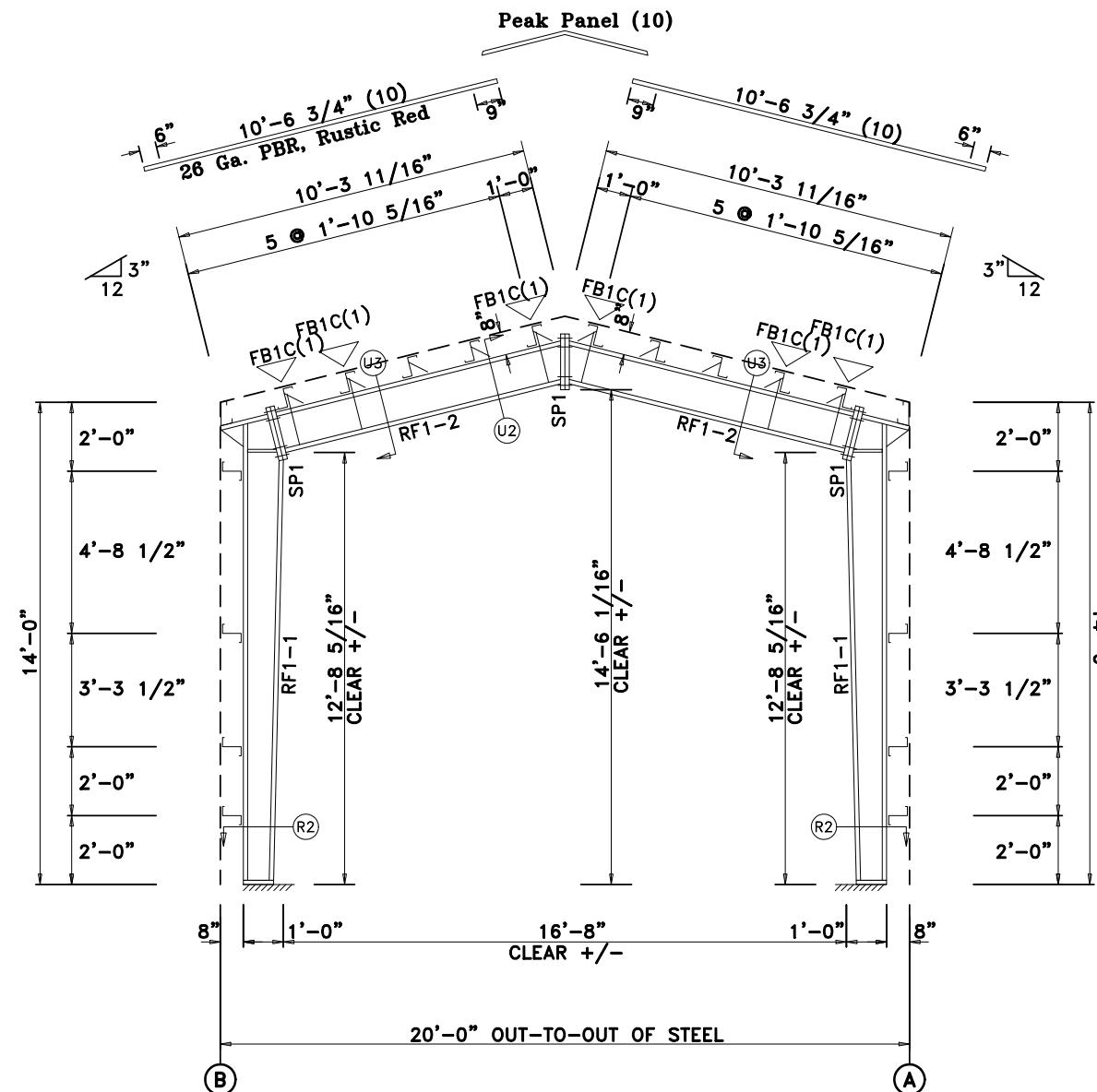
JOB NO.: 25900

PG.: E-8

SPLICE PLATE & BOLT TABLE									
Mark	Qty		Int	Type	Dia	Length	Width	Thick	Length
	Top	Bot							
SP1	4	4	0	A325	5/8"	1 3/4"	6"	3/8"	1'-7"

MEMBER TABLE								
Mark	Web Depth		Web Plate		Outside Flange		Inside Flange	
	Start	End	Thick	Length	W x Thk	x Length	W x Thk	x Length
RF1-1	7.5	11.5	0.188	163.1	6 x 1/4"	x 161.1	6 x 1/4"	x 148.5
RF1-2	11.5	11.5	0.188	106.0	6 x 1/4"	x 16.5	6 x 1/4"	x 103.0

▽ FLANGE BRACES: Both Sides(U.N.)  
 FBxxC(1)  
 C - F2X2X1/8



RIGID FRAME SECTION: FRAME LINE 1

### APPROVAL DRAWINGS

- APPROVED AS DRAWN
- APPROVED AS NOTED
- NOT APPROVED

\_\_\_\_ INITIAL

Please Check And Approve All Dimensions  
 And Conditions. STANDARD STRUCTURES  
 Must Be Notified Of Any Changes.

**SSI** STANDARD STRUCTURES INC.  
 MANUFACTURER OF METAL BUILDINGS & COMPONENTS

P.O. BOX 1912  
 ODESSA, TX. 79760  
 1-800-240-0335



ACCREDITED™  
 Metal Building Systems  
 AC 472

### APPROVAL & PERMIT

JOB NAME: John P Evans

PROJECT NAME: Fun Valley Riverside Well

JOB LOCATION: South Fork, CO 81154

DRAWING TITLE: RIGID FRAME SECTION

DATE: 5/14/25

DET:

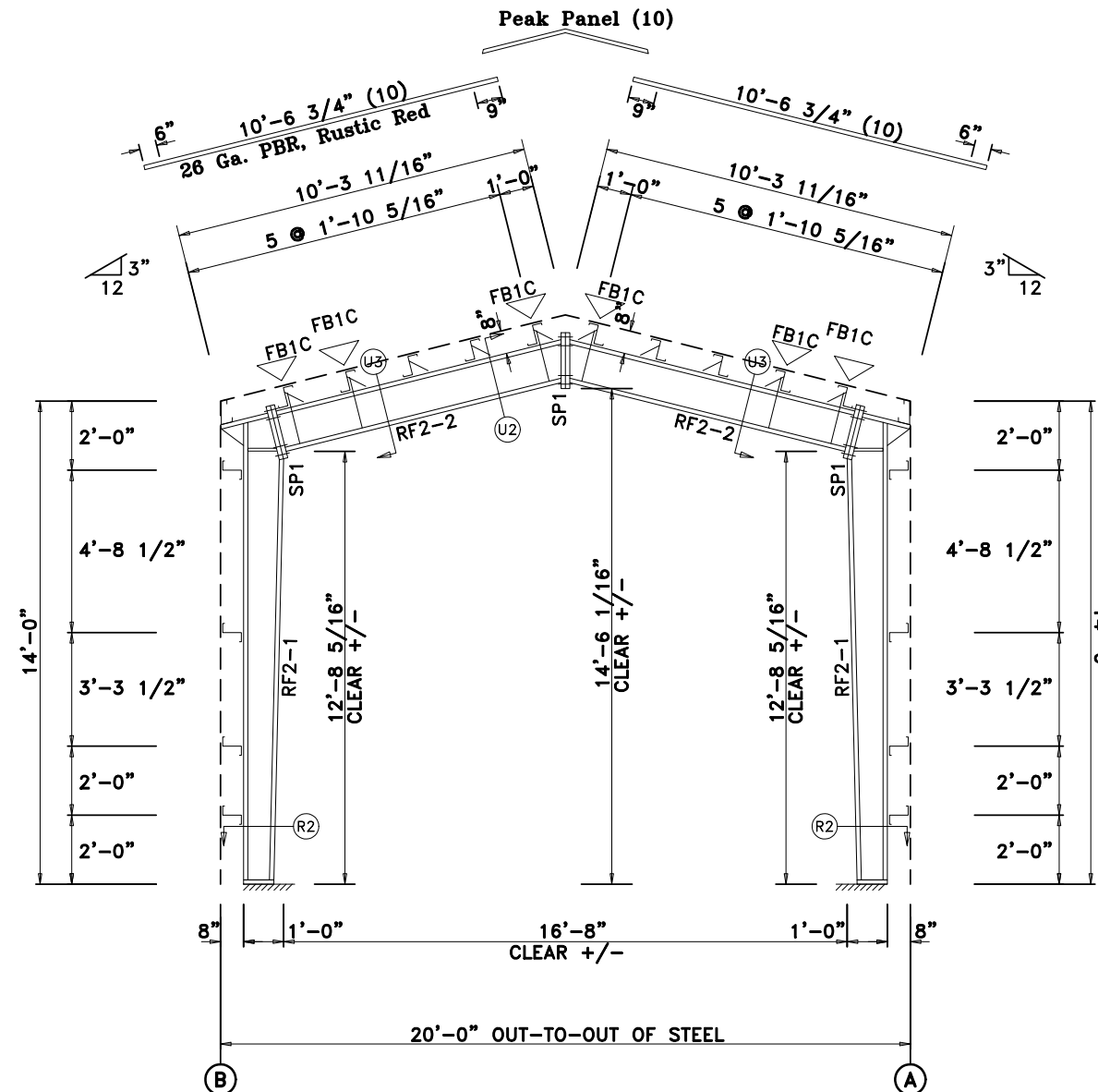
JOB NO.: 25900

PG.: E-9

SPLICE PLATE & BOLT TABLE									
Mark	Qty		Int	Type	Dia	Length	Width		
	Top	Bot					Thick	Length	
SP1	4	4	0	A325	5/8"	1 3/4"	6"	3/8"	1'-7"

MEMBER TABLE								
Mark	Web Depth		Web Plate		Outside Flange		Inside Flange	
	Start	End	Thick	Length	W x Thk	x Length	W x Thk	x Length
RF2-1	7.5	11.5	0.188	163.1	6 x 1/4"	x 161.1	6 x 1/4"	x 148.5
RF2-2	11.5	11.5	0.188	106.0	6 x 1/4"	x 16.5	6 x 1/4"	x 103.0

▽ FLANGE BRACES: Both Sides(U.N.)  
 FBxxC(1)  
 C - F2X2X1/8



RIGID FRAME SECTION: FRAME LINE 2

### APPROVAL DRAWINGS

- APPROVED AS DRAWN
- APPROVED AS NOTED
- NOT APPROVED

\_\_\_\_ INITIAL

Please Check And Approve All Dimensions  
 And Conditions. STANDARD STRUCTURES  
 Must Be Notified Of Any Changes.

**SSI** STANDARD STRUCTURES INC.  
 MANUFACTURER OF METAL BUILDINGS & COMPONENTS

P.O. BOX 1912  
 ODESSA, TX. 79760  
 1-800-240-0335



ACCREDITED™  
 Metal Building Systems  
 AC 472

### APPROVAL & PERMIT

JOB NAME: John P Evans

PROJECT NAME: Fun Valley Riverside Well

JOB LOCATION: South Fork, CO 81154

DRAWING TITLE: RIGID FRAME SECTION

DATE: 5/14/25

DET:

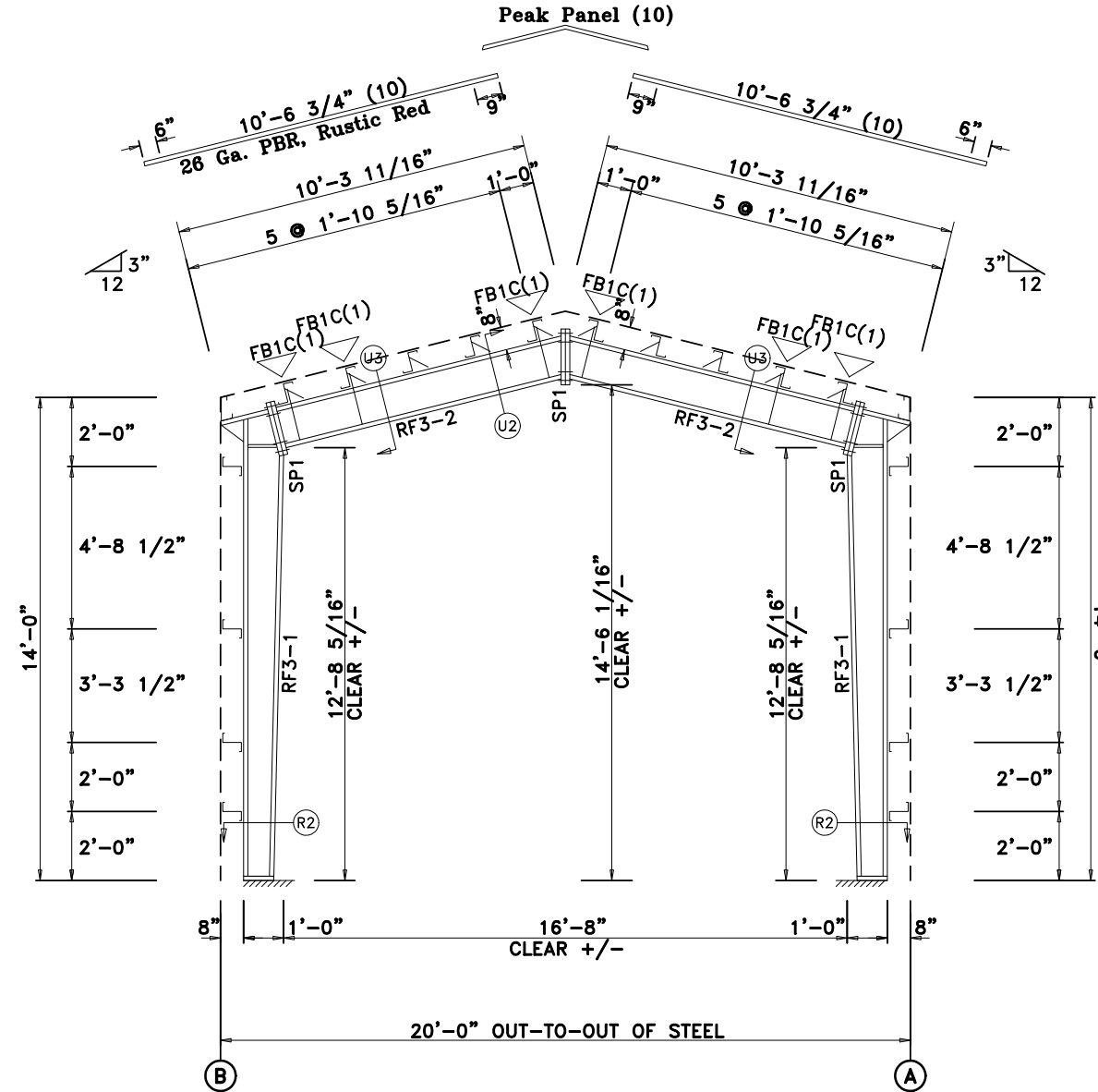
JOB NO.: 25900

PG.: E-10

SPLICE PLATE & BOLT TABLE									
Mark	Qty		Int	Type	Dia	Length	Width		
	Top	Bot					Thick	Length	
SP1	4	4	0	A325	5/8"	1 3/4"	6"	3/8"	1'-7"

MEMBER TABLE								
Mark	Web Depth		Web Plate		Outside Flange		Inside Flange	
	Start	End	Thick	Length	W x Thk	x Length	W x Thk	x Length
RF3-1	7.5	11.5	0.188	163.1	6 x 1/4"	x 161.1	6 x 1/4"	x 148.5
RF3-2	11.5	11.5	0.188	106.0	6 x 1/4"	x 16.5	6 x 1/4"	x 103.0

▽ FLANGE BRACES: Both Sides(U.N.)  
 FBxxC(1)  
 C - F2X2X1/8



RIGID FRAME SECTION: FRAME LINE 3

### APPROVAL DRAWINGS

- APPROVED AS DRAWN
- APPROVED AS NOTED
- NOT APPROVED

\_\_\_\_ INITIAL

Please Check And Approve All Dimensions  
 And Conditions. STANDARD STRUCTURES  
 Must Be Notified Of Any Changes.

**SSI** STANDARD STRUCTURES INC.  
 MANUFACTURER OF METAL BUILDINGS & COMPONENTS

P.O. BOX 1912  
 ODESSA, TX. 79760  
 1-800-240-0335



ACCREDITED™  
 Metal Building Systems  
 AC 472

### APPROVAL & PERMIT

JOB NAME: John P Evans

PROJECT NAME: Fun Valley Riverside Well

JOB LOCATION: South Fork, CO 81154

DRAWING TITLE: RIGID FRAME SECTION

DATE: 5/14/25

DET:

JOB NO.: 25900

PG.: E-11