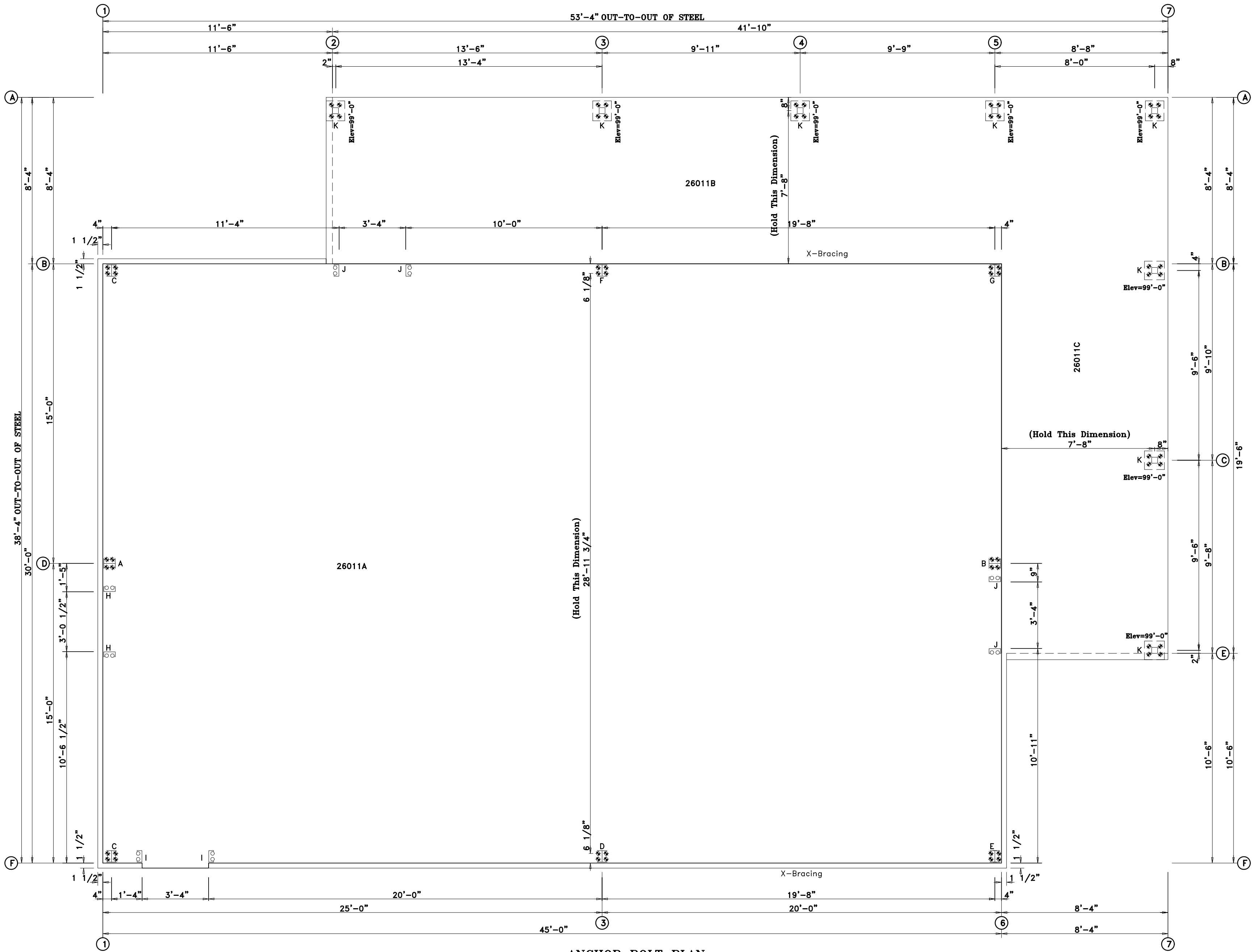
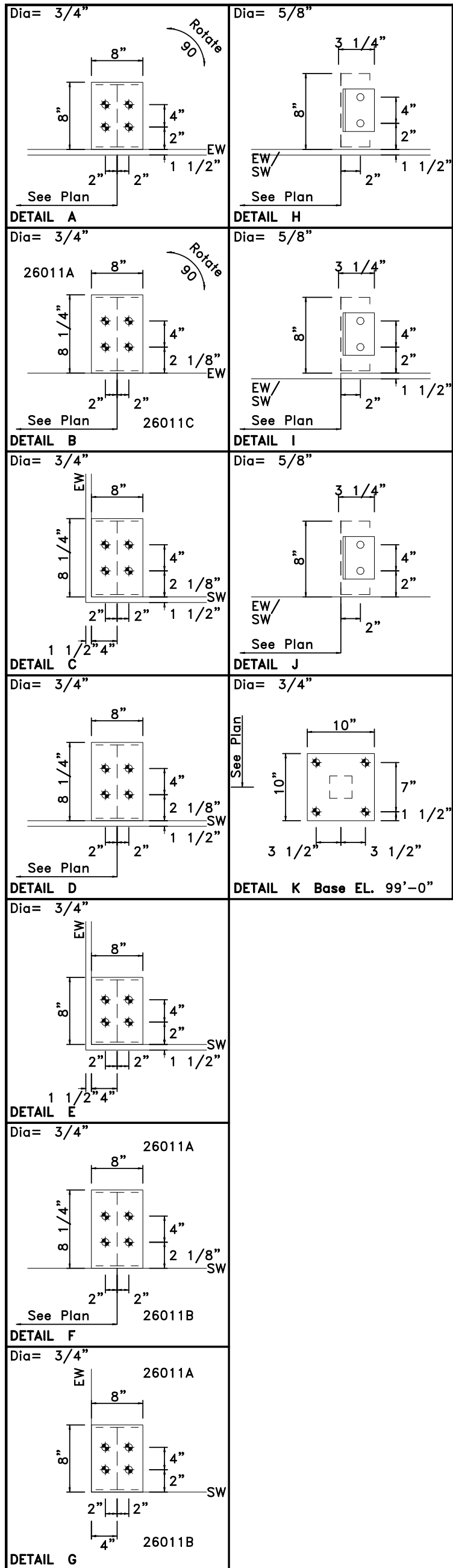
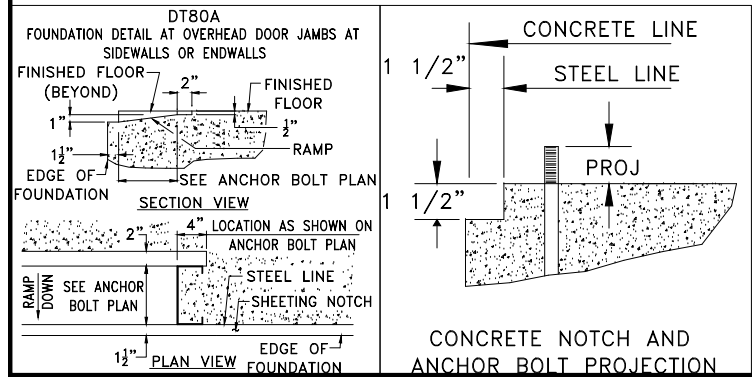


Standard Structures, Inc.

Job# 26011
Final Design



ANCHOR BOLT PLAN
 NOTE: All Base Plates @ 100'-0" (U.N.)



APPROVAL DRAWINGS

APPROVED AS DRAWN
 APPROVED AS NOTED
 NOT APPROVED

____ INITIAL

Please Check And Approve All Dimensions
 And Conditions. STANDARD STRUCTURES
 Must Be Notified Of Any Changes.

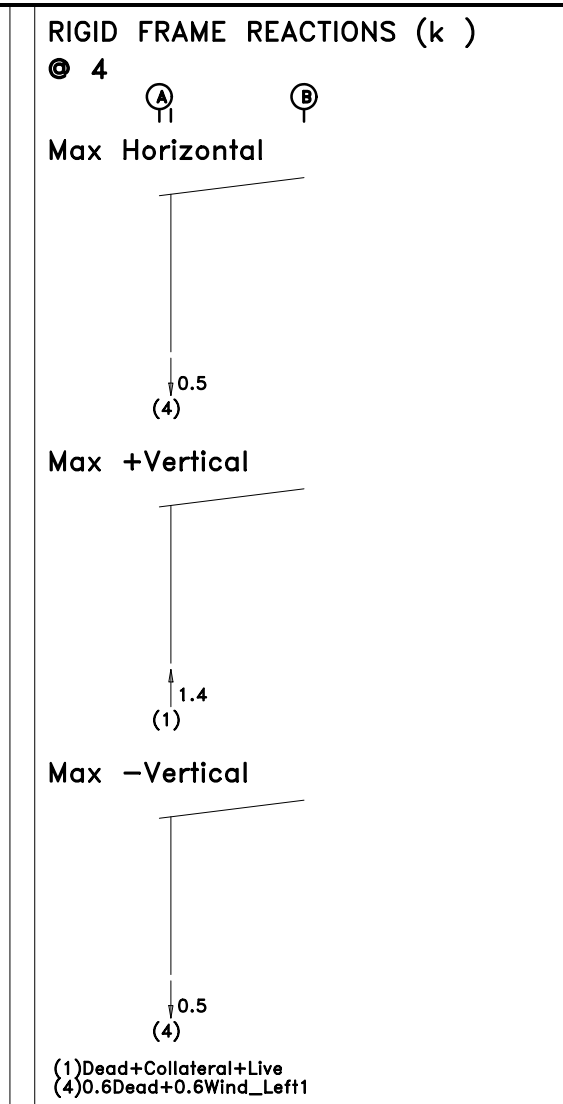
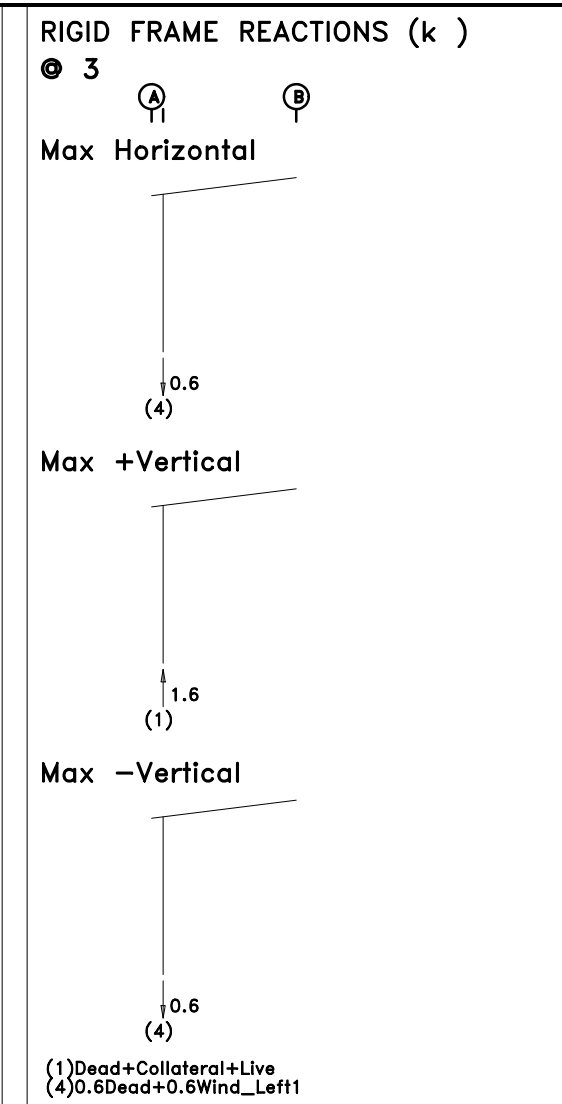
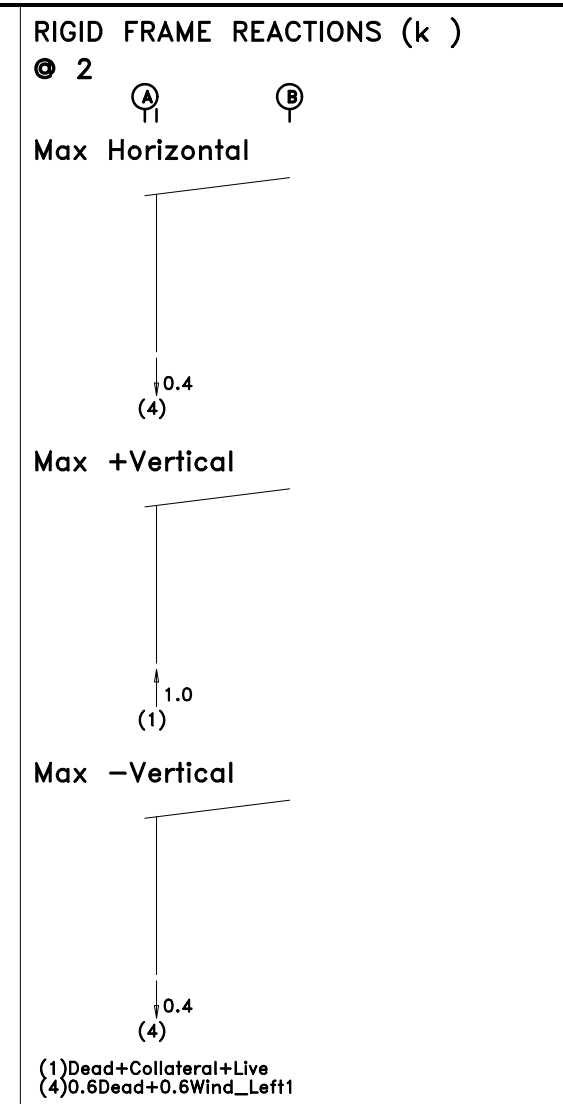
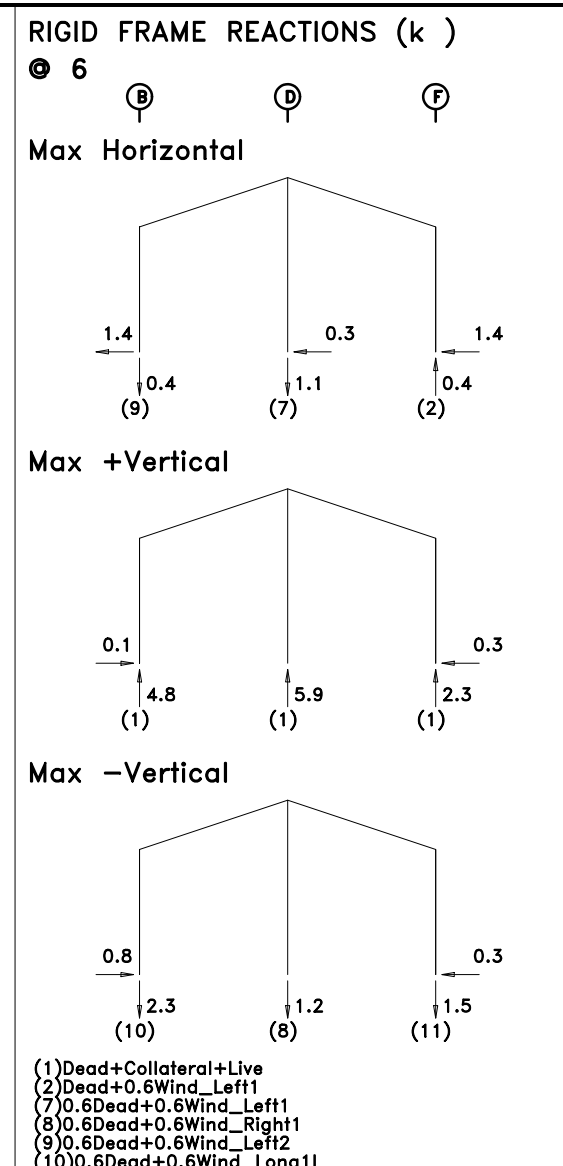
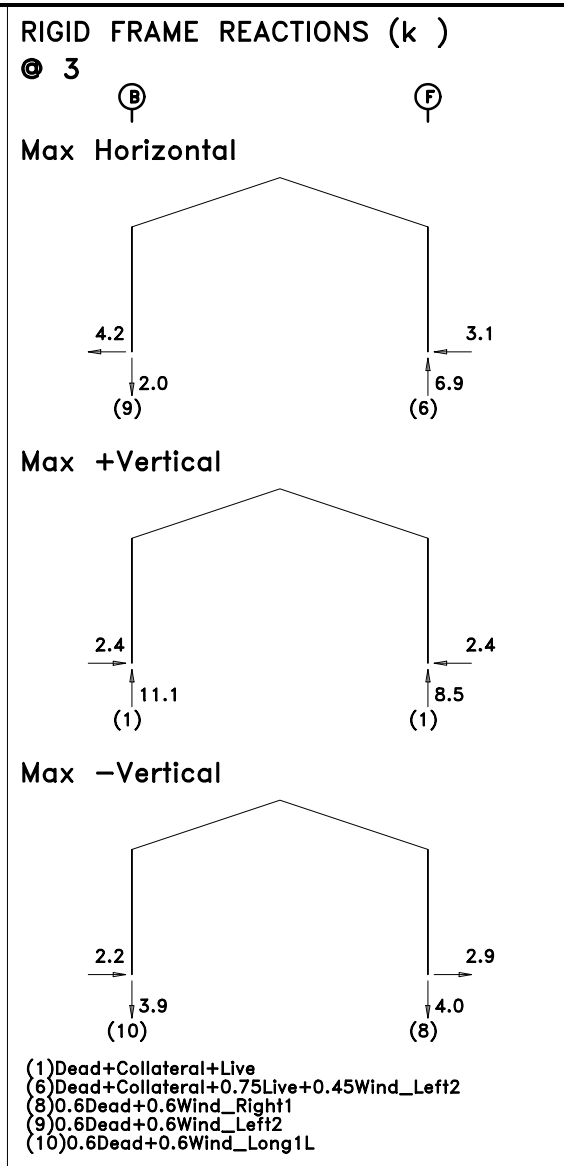
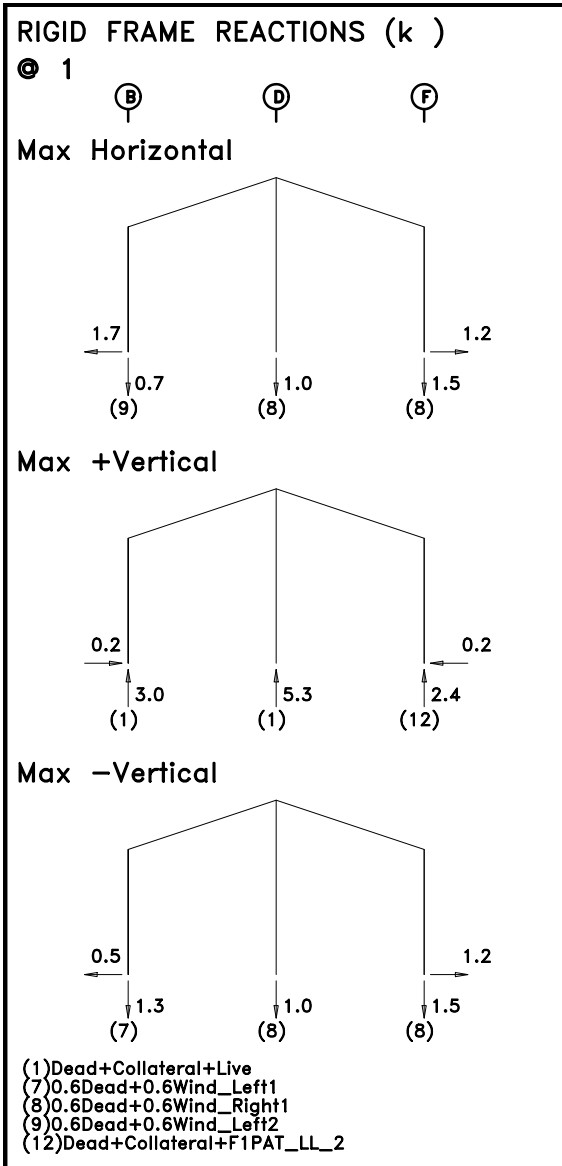
SSI STANDARD STRUCTURES INC.
 MANUFACTURER OF METAL BUILDINGS & COMPONENTS

P.O. BOX 1912
 ODESSA, TX. 79760
 1-800-240-0335

IAS ACCREDITED™
 Metal Building Systems
 AC 472

APPROVAL & PERMIT

JOB NAME: Collier Construction
 PROJECT NAME: Howard College-SB Fieldhouse
 JOB LOCATION: Big Spring/TX/79720
 DRAWING TITLE: ANCHOR BOLT PLAN
 DATE: 3/ 1/26 DET: _____ JOB NO.: 26011 PG.: E-1



NOTES FOR REACTIONS BLDG A

Building reactions are based on the following building data:

Width	(ft)	=	30.0
Length	(ft)	=	45.0
Eave Height	(ft)	=	12.7/ 12.7
Roof Slope	(rise/12)	=	4.00/ 4.00
Roof Dead Load	(psf)	=	3.0
Roof Live Load	(psf)	=	20.0
Frame Live Load	(psf)	=	16.4
Min	(psf)	=	18.0
Max	(psf)	=	4.0
Collateral Load	(psf)	=	3.5
Snow Load	(psf)	=	5.0
Minimum Snow	(psf)	=	106.0
Wind Speed	(mph)	=	2021 IBC
Wind Code		=	C
Exposure		=	Partially Enclosed
Closure		=	-0.55, +0.55
Internal Wind Coeff		=	II - Normal
Risk Category		=	1.00
Importance - Seismic		=	A
Seismic Design Category		=	A

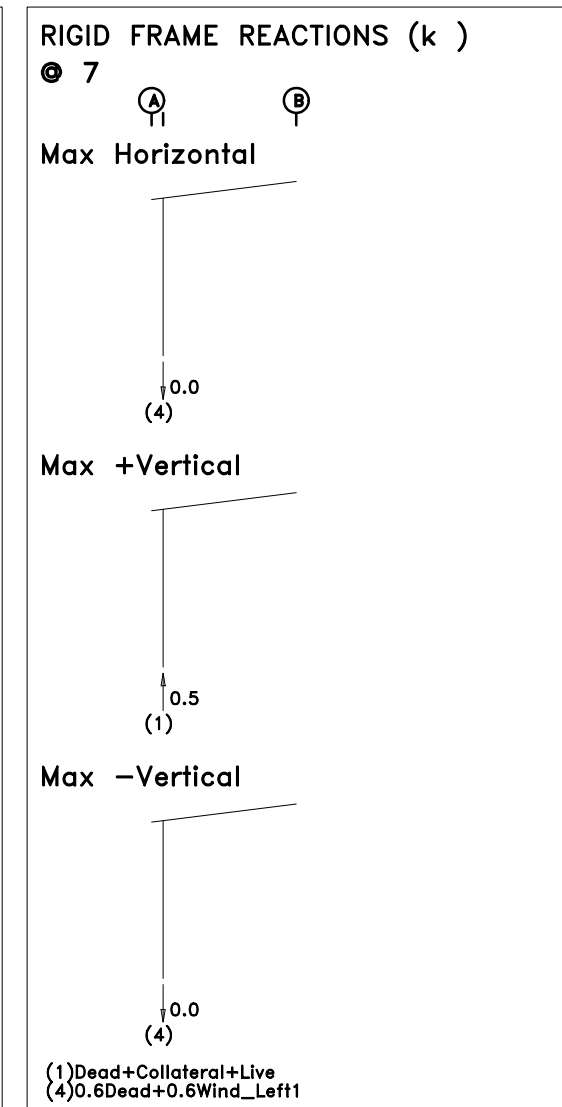
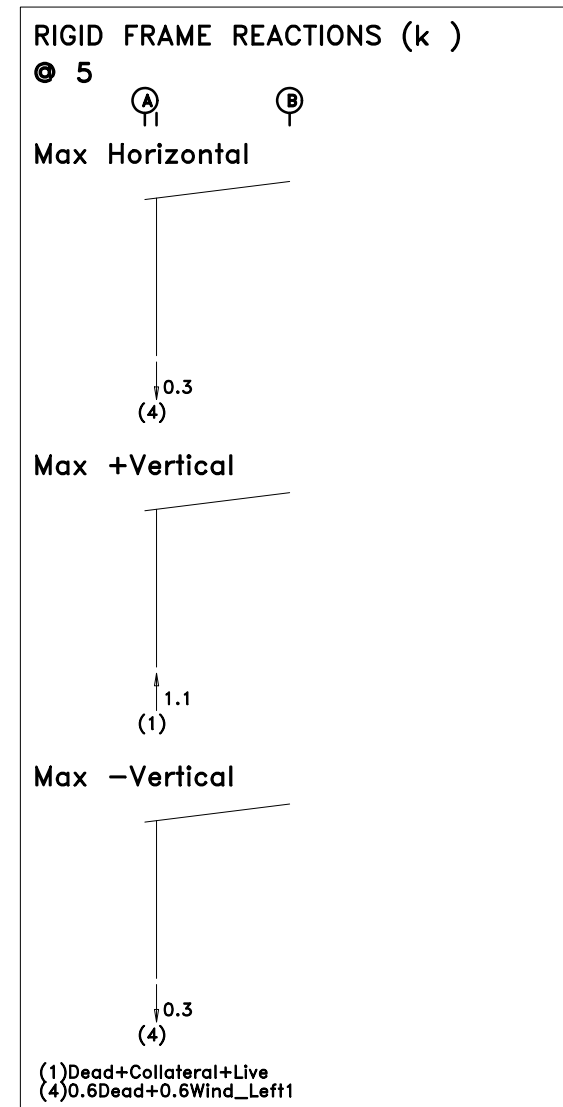
ANCHOR BOLT SUMMARY

Qty	Locate	Dia (in)	Type	Proj (in)
16	Jamb	5/8"	A307	1.50
8	Endwall	3/4"	A307	2.00
24	Frame	3/4"	A307	2.00

BUILDING BRACING REACTIONS

Wall	Col	± Reactions(k)		Panel_Shear (lb/ft)		Note
Loc	Line	0.6Wind	Seismic	Wind	Seis	
L_EW	1					Rigid frame at endwall
F_SW	F	3,6	1,1	0,6	0,1	
R_EW	6					Rigid frame at endwall
B_SW	B	6,3	2,2	1,1	0,1	

Reactions for seismic represent shear force, Eh



NOTES FOR REACTIONS BLDG B

Building reactions are based on the following building data:

Width	(ft)	=	8.3
Length	(ft)	=	41.8
Eave Height	(ft)	=	9.0/ 10.0
Roof Slope	(rise/12)	=	1.50
Roof Dead Load	(psf)	=	3.5
Live Load	(psf)	=	20.0
Collateral Load	(psf)	=	4.0
Snow Load	(psf)	=	4.2
Minimum Snow	(psf)	=	5.0
Wind Speed	(mph)	=	106.0
Wind Code		=	IBC 21
Exposure		=	C
Closure		=	Partially Enclosed
Internal Wind Coeff		=	-0.55, +0.55
Risk Category		=	II - Normal
Importance - Seismic		=	1.00
Seismic Design Category		=	A

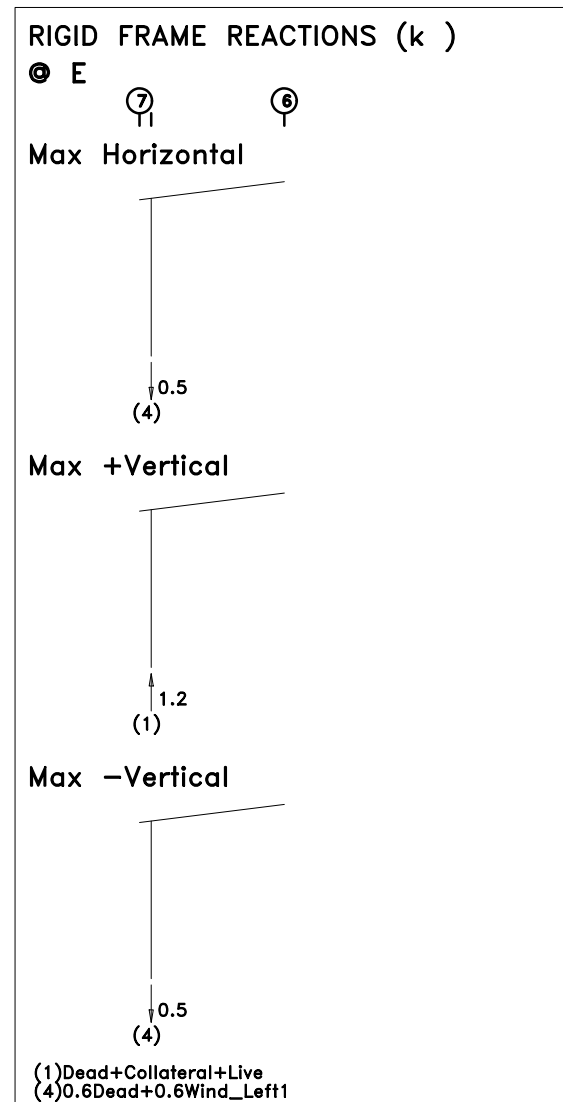
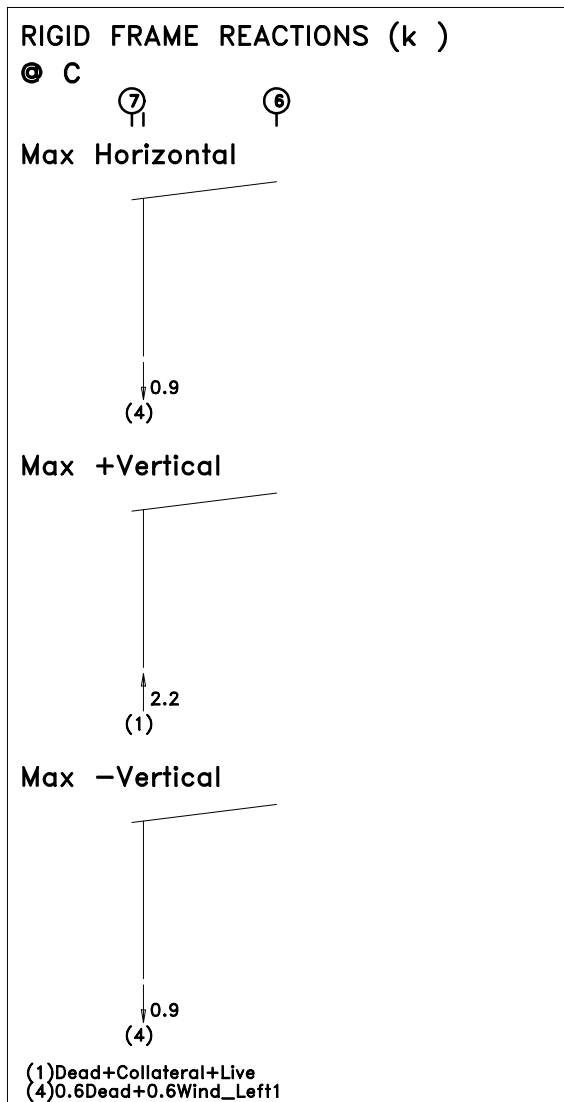
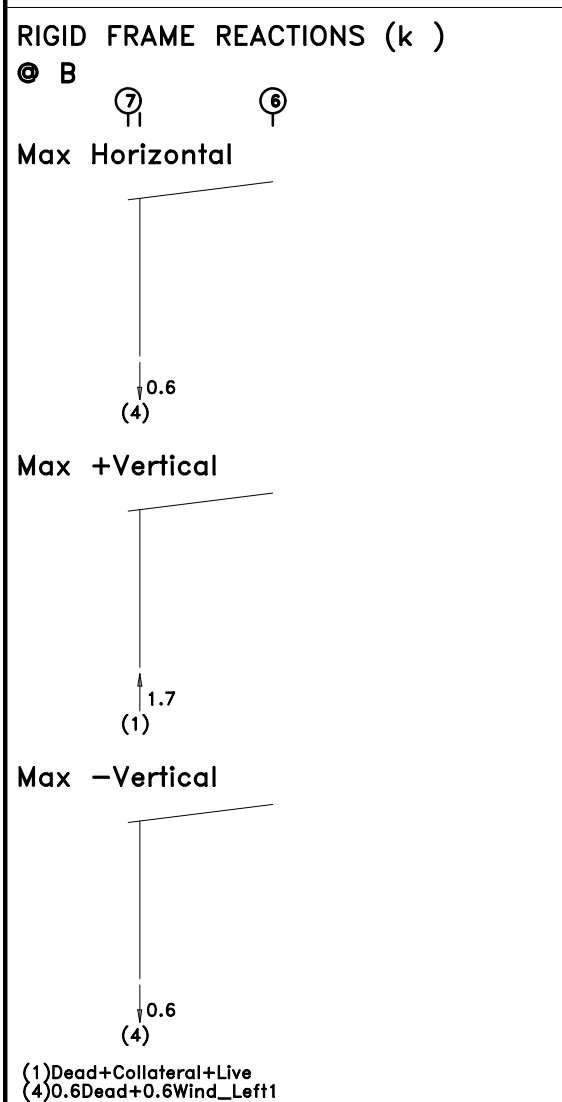
ANCHOR BOLT SUMMARY

Qty	Locate	Dia (in)	Type	Proj (in)
20	Frame	3/4"	A307	2.00

BUILDING BRACING REACTIONS

Wall	Col	± Reactions(k)		Panel_Shear (lb/ft)		Note
Loc	Line	0.6Wind	Seismic	Wind	Seis	
L_EW	2					Rigid frame at endwall
F_SW	B					Bracing loads must be applied to supporting building
R_EW	7					Rigid frame at endwall
B_SW	A					Torsional Bracing Used

Reactions for seismic represent shear force, Eh



ANCHOR BOLT SUMMARY

Qty	Locate	Dia (in)	Type	Proj (in)
12	Frame	3/4"	A307	2.00

NOTES FOR REACTIONS BLDG C

Building reactions are based on the following building data:

Width	(ft)	=	8.3
Length	(ft)	=	19.5
Eave Height	(ft)	=	9.0/ 10.0
Roof Slope	(rise/12)	=	1.50
Roof Dead Load	(psf)	=	3.5
Live Load	(psf)	=	20.0
Collateral Load	(psf)	=	4.0
Snow Load	(psf)	=	4.2
Minimum Snow	(psf)	=	5.0
Wind Speed	(mph)	=	106.0
Wind Code		=	IBC 21
Exposure		=	C
Closure		=	Partially Enclosed
Internal Wind Coeff		=	-0.55, +0.55
Risk Category		=	II - Normal
Importance - Seismic		=	1.00
Seismic Design Category		=	A

BUILDING BRACING REACTIONS

Wall	Col	± Reactions(k)		Panel_Shear (lb/ft)		Note
Loc	Line	Wind	Seismic	Wind	Seis	
L_EW	B					Rigid frame at endwall
F_SW	6					Bracing loads must be applied to supporting building
R_EW	E					Rigid frame at endwall
B_SW	7					Torsional Bracing Used

Reactions for seismic represent shear force, Eh

APPROVAL DRAWINGS

APPROVED AS DRAWN
 APPROVED AS NOTED
 NOT APPROVED

____ INITIAL

Please Check And Approve All Dimensions And Conditions. STANDARD STRUCTURES Must Be Notified Of Any Changes.

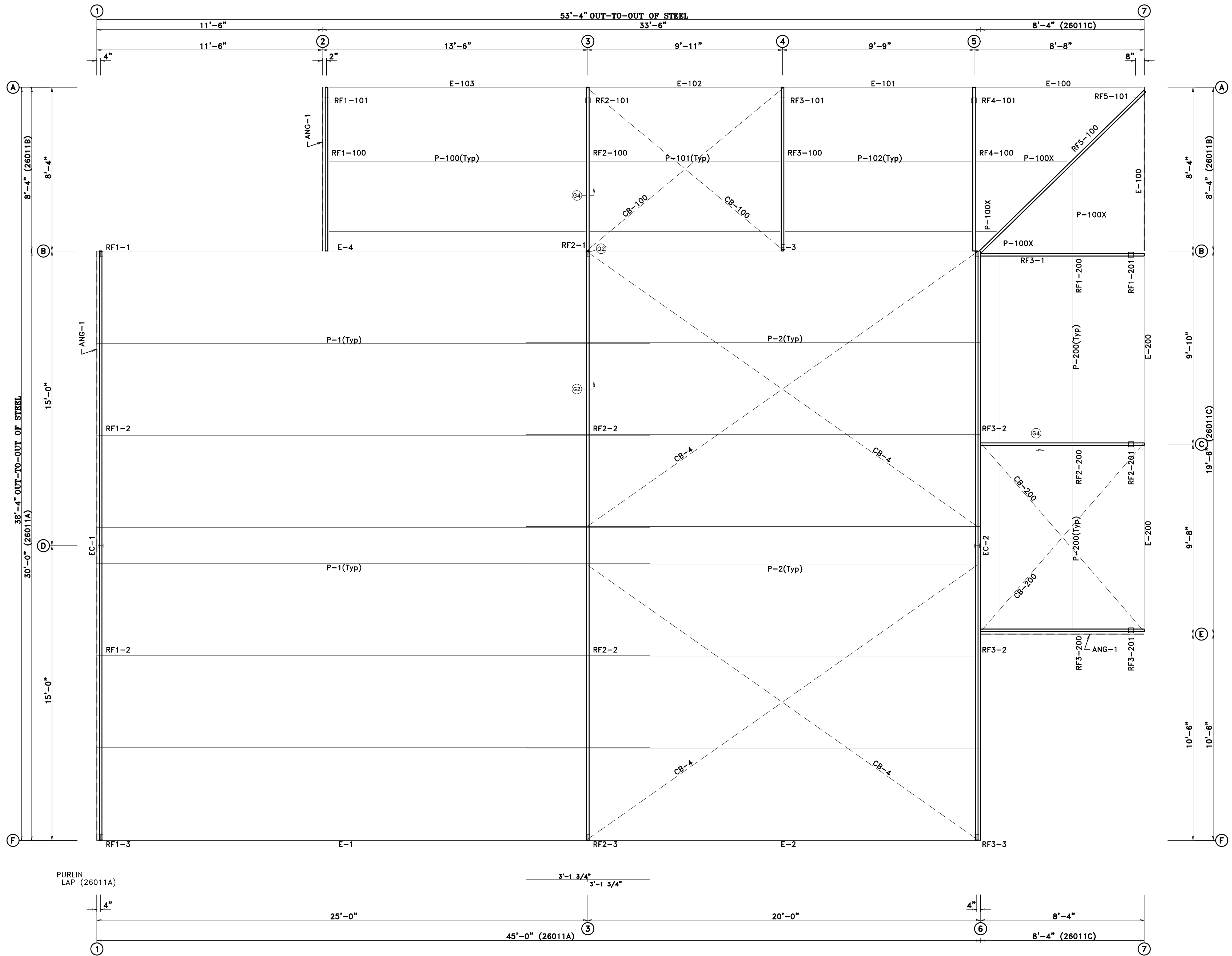
SSI STANDARD STRUCTURES INC.
 MANUFACTURER OF METAL BUILDINGS & COMPONENTS
 P.O. BOX 1912
 ODESSA, TX. 79760
 1-800-240-0335

IAS
 ACCREDITED™
 Metal Building Systems
 AC 472

APPROVAL & PERMIT

JOB NAME: Collier Construction
 PROJECT NAME: Howard College-SB Fieldhouse
 JOB LOCATION: Big Spring/TX/79720
 DRAWING TITLE: ANCHOR BOLT REACTIONS
 DATE: 3/ 1/26 DET: _____ JOB NO.: 26011 PG.: E-2

MEMBER TABLE				
ROOF PLAN				
QUAN	MARK	PART	LENGTH	
26011A				
6	P-1	8x25Z12	28'-1 1/2"	
6	P-2	8x25Z13	23'-1 1/2"	
1	E-1	84LEDS14	24'-11 1/2"	
1	E-2	84LEDS14	19'-11 1/2"	
1	E-3	84LEDS14	19'-11 1/2"	
1	E-4	84LEDS14	24'-11 1/2"	
4	CB-4	1/4_CBL	22'-5"	
26011B				
2	P-100	8x25Z16	12'-11 1/2"	
2	P-101	8x25Z16	9'-6 1/2"	
2	P-102	8x25Z16	9'-4 1/2"	
4	P-100X	8x25Z16	TBD	
1	E-100	8LEDS14	7'-5 1/2"	
1	E-101	8LEDS14	9'-2 1/2"	
1	E-102	8LEDS14	9'-4 1/2"	
1	E-103	8LEDS14	12'-9 1/2"	
2	CB-100	1/4_CBL	10'-10"	
26011C				
4	P-200	8x25Z16	9'-1 1/2"	
2	E-200	8LEDS14	8'-11 1/2"	
2	CB-200	1/4_CBL	10'-6"	



ROOF FRAMING PLAN

APPROVAL DRAWINGS	
<input type="checkbox"/>	APPROVED AS DRAWN
<input type="checkbox"/>	APPROVED AS NOTED
<input type="checkbox"/>	NOT APPROVED
____ INITIAL	
Please Check And Approve All Dimensions And Conditions. STANDARD STRUCTURES Must Be Notified Of Any Changes.	

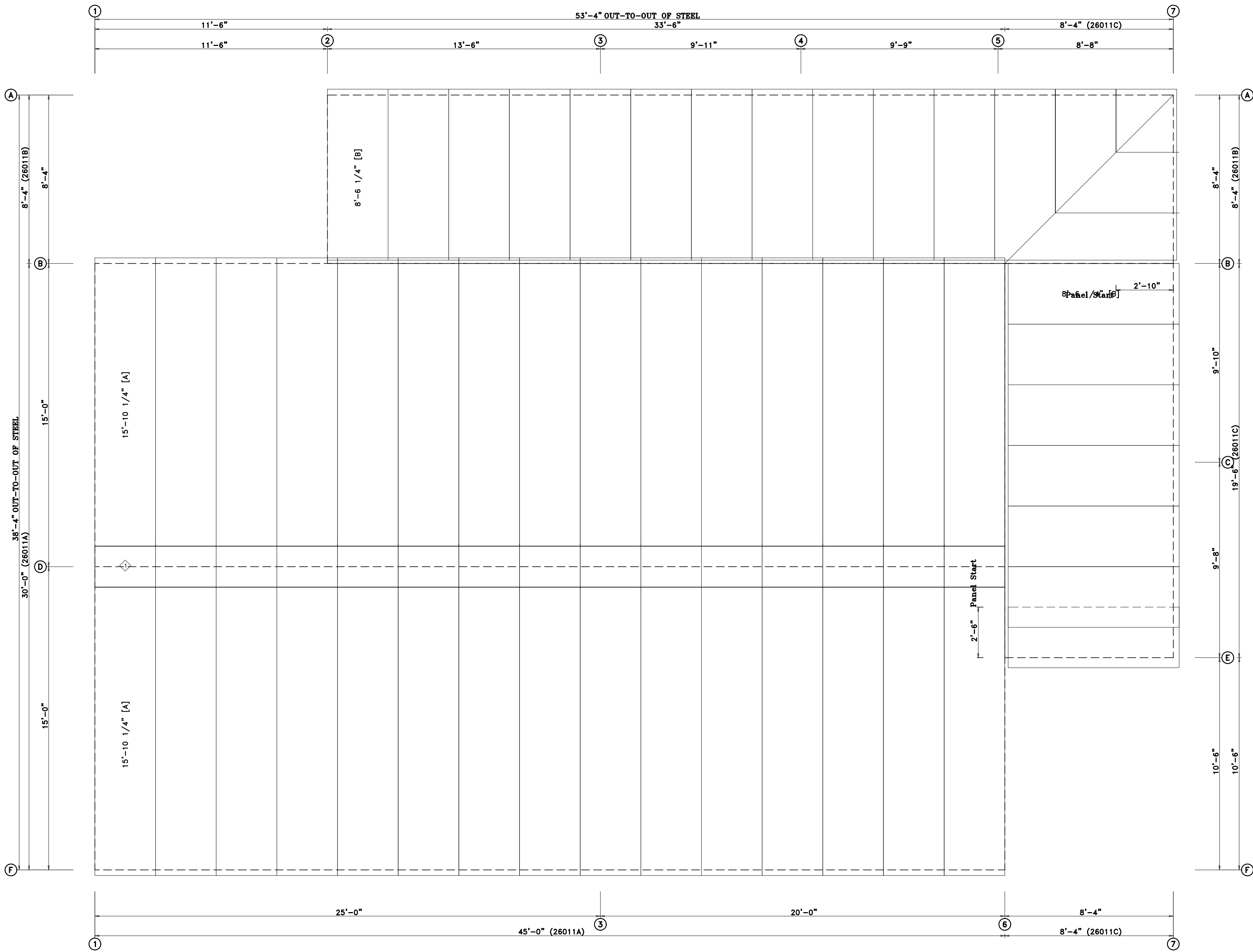
SSI STANDARD STRUCTURES INC.
 MANUFACTURER OF METAL BUILDINGS & COMPONENTS
 P.O. BOX 1912
 ODESSA, TX. 79760
 1-800-240-0335

IAS
 ACCREDITED™
 Metal Building Systems
 AC 472

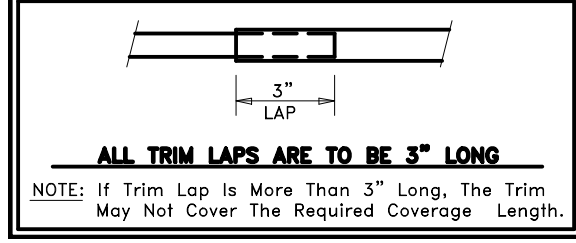
APPROVAL & PERMIT

JOB NAME: Collier Construction
 PROJECT NAME: Howard College-SB Fieldhouse
 JOB LOCATION: Big Spring/TX/79720
 DRAWING TITLE: ROOF FRAMING
 DATE: 3/ 1/26 DET: _____ JOB NO.: 26011 PG.: E-3

TRIM TABLE				
ROOF PLAN				
ID	QUAN	PART	LENGTH	DETAIL
1	15	PEAK 24R	3'-0"	TRIM #1



ROOF SHEETING PLAN
 [A] PANELS: 24 Ga. PBR - NEED COLOR KYNAR
 [B] PANELS: 24 Ga. PBR - NEED COLOR KYNAR
 [C] PANELS: 24 Ga. PBR - NEED COLOR KYNAR



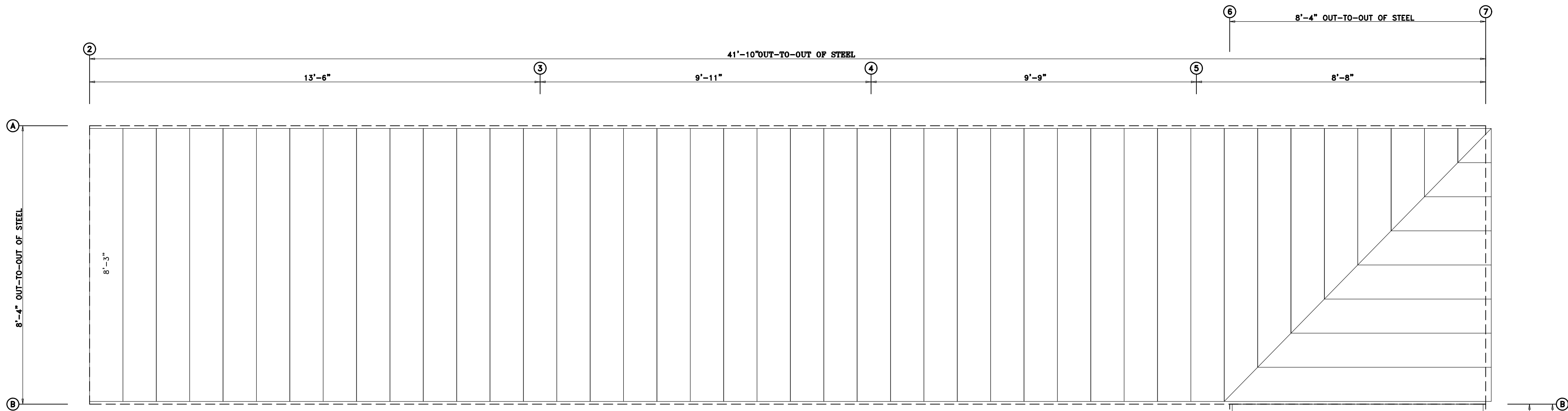
APPROVAL DRAWINGS	
<input type="checkbox"/>	APPROVED AS DRAWN
<input type="checkbox"/>	APPROVED AS NOTED
<input type="checkbox"/>	NOT APPROVED
____ INITIAL	
Please Check And Approve All Dimensions And Conditions. STANDARD STRUCTURES Must Be Notified Of Any Changes.	

SSI STANDARD STRUCTURES INC.
 MANUFACTURER OF METAL BUILDINGS & COMPONENTS
 P.O. BOX 1912
 ODESSA, TX. 79760
 1-800-240-0335

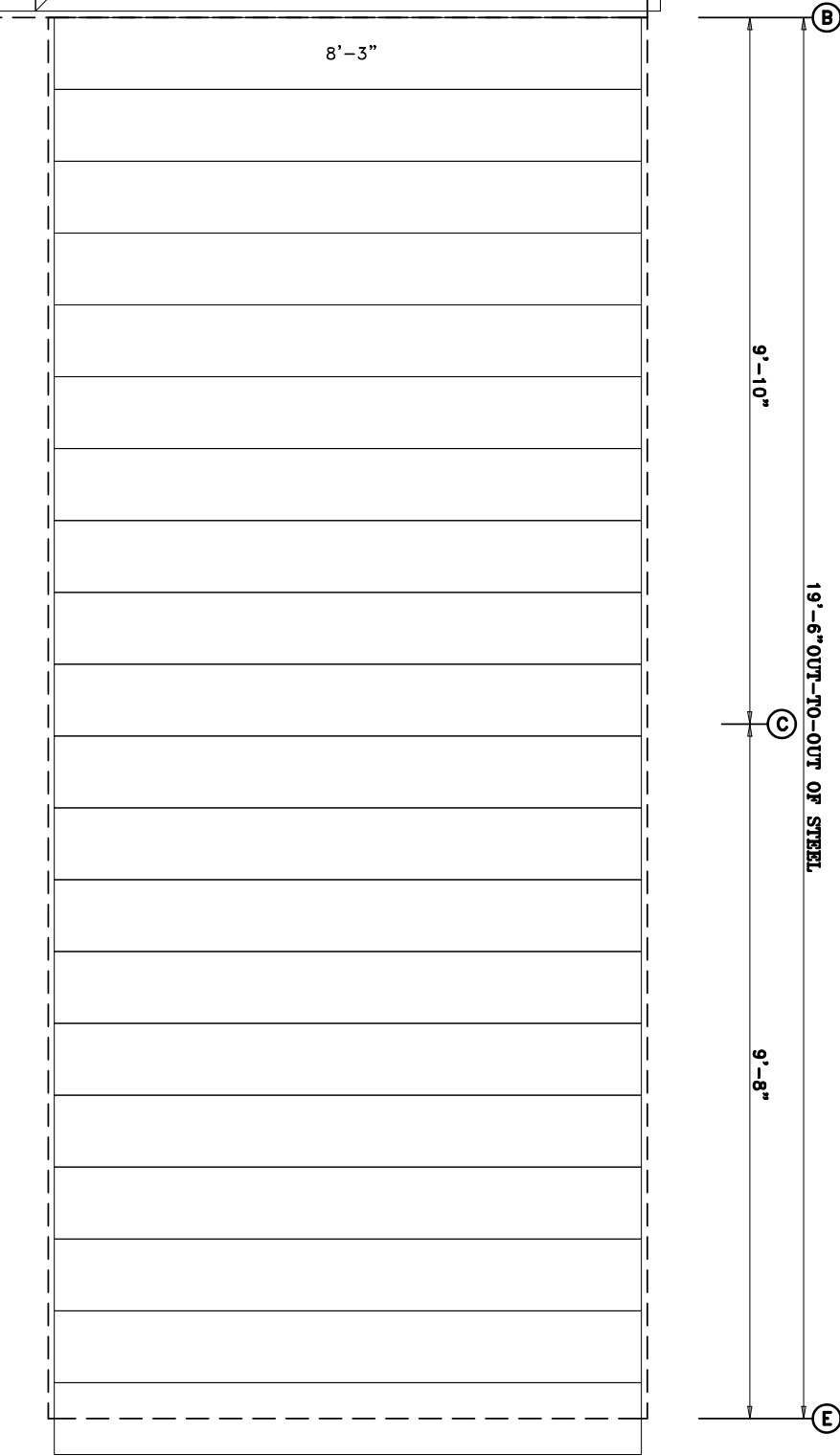
IAS
 ACCREDITED™
 Metal Building Systems
 AC 472

APPROVAL & PERMIT

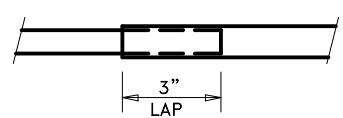
JOB NAME: Collier Construction
 PROJECT NAME: Howard College-SB Fieldhouse
 JOB LOCATION: Big Spring/TX/79720
 DRAWING TITLE: **ROOF SHEETING**
 DATE: 3/ 1/26 DET: _____ JOB NO.: 26011 PG.: E-4



BLDG B ROOF LINER SHEETING PLAN
 PANELS: 24 Ga. L122 - NEED COLOR KYNAR



BLDG C ROOF LINER SHEETING PLAN
 PANELS: 24 Ga. L122 - NEED COLOR KYNAR



ALL TRIM LAPS ARE TO BE 3" LONG

NOTE: If Trim Lap Is More Than 3" Long, The Trim May Not Cover The Required Coverage Length.

APPROVAL DRAWINGS

- APPROVED AS DRAWN
- APPROVED AS NOTED
- NOT APPROVED

____ INITIAL

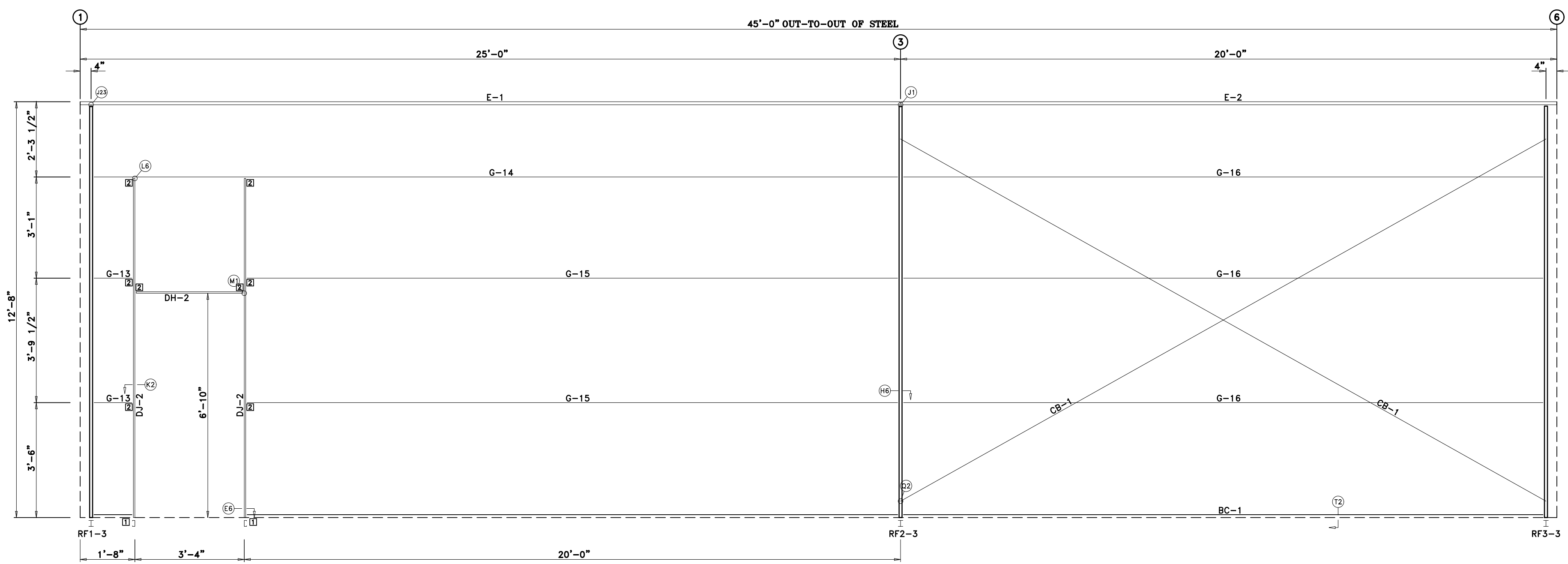
Please Check And Approve All Dimensions And Conditions. STANDARD STRUCTURES Must Be Notified Of Any Changes.

SSI STANDARD STRUCTURES INC.
 MANUFACTURER OF METAL BUILDINGS & COMPONENTS
 P.O. BOX 1912
 ODESSA, TX. 79760
 1-800-240-0335

IAS
 ACCREDITED™
 Metal Building Systems
 AC 472

APPROVAL & PERMIT

JOB NAME: Collier Construction
 PROJECT NAME: Howard College-SB Fieldhouse
 JOB LOCATION: Big Spring/TX/79720
 DRAWING TITLE: LINER DRAWING
 DATE: 3/ 1/26 DET: _____ JOB NO.: 26011B E-5

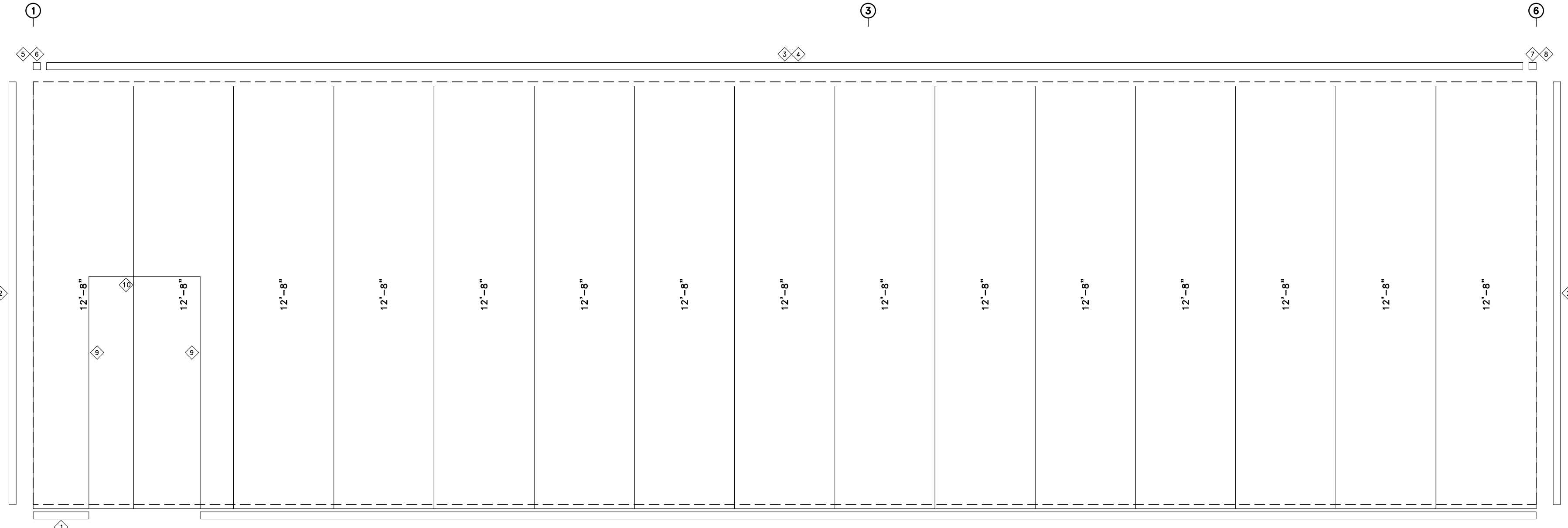


SIDEWALL FRAMING: FRAME LINE F

TRIM TABLE				
FRAME LINE F				
ID	QUAN	PART	LENGTH	DETAIL
1	5	BASETRIM	10'-3"	
2	2	CRNTR243	12'-9"	TRIM_2
3	2	GUTT243	22'-8"	TRIM_5
4	5	BACKSPLS	10'-3"	
5	1	SGUTENDL	6"	
6	1	SCRNBX-L	6"	TRIM_16
7	1	SGUTENDR	6"	TRIM_16
8	1	SCRNBX-R	6"	TRIM_16
9	2	JMBTR243	7'-0"	TRIM_6
10	1	HEADR243	3'-8"	TRIM_8

MEMBER TABLE				
FRAME LINE F				
QUAN	MARK	PART	LENGTH	
2	DJ-2	8x35C16	10'-0 3/4"	
1	DH-2	8x35C16	3'-4"	
1	E-1	84LEDS14	24'-11 1/2"	
1	E-2	84LEDS14	19'-11 1/2"	
2	G-13	8x25Z14	9 3/8"	
1	G-14	8x25Z14	24'-2 1/4"	
2	G-15	8x25Z14	19'-5 3/8"	
3	G-16	8x25Z16	19'-0 7/8"	
2	CB-1	1/4 CBL	20'-11"	

CONNECTION PLATES			
FRAME LINE F			
ID	QUAN	MARK/PART	
1	2	C-104	
2	8	C-5	



SIDEWALL SHEETING & TRIM: FRAME LINE F
PANELS: 24 Ga. PBR - NEED COLOR KYNAR

ALL TRIM LAPS ARE TO BE 3" LONG

NOTE: If Trim Lap is More Than 3" Long, The Trim May Not Cover The Required Coverage Length.

APPROVAL DRAWINGS

APPROVED AS DRAWN
 APPROVED AS NOTED
 NOT APPROVED

____ INITIAL

Please Check And Approve All Dimensions And Conditions. STANDARD STRUCTURES Must Be Notified Of Any Changes.

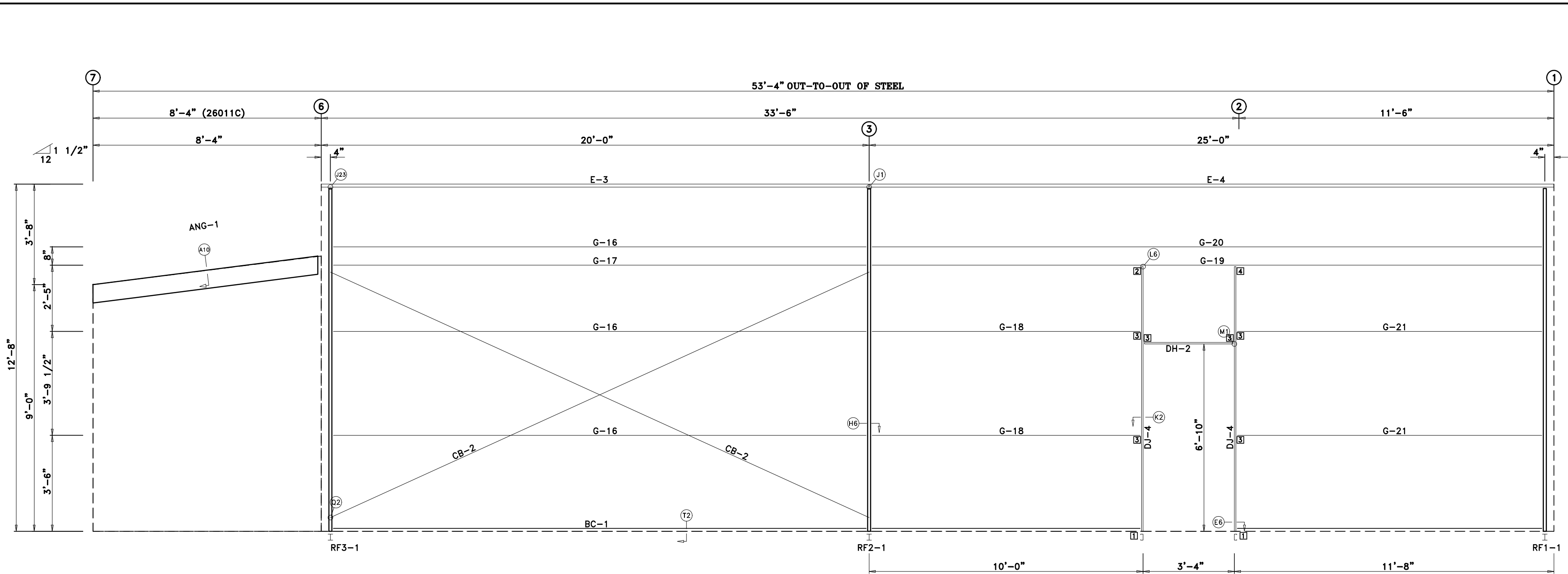
SSI STANDARD STRUCTURES INC.
MANUFACTURER OF METAL BUILDINGS & COMPONENTS

P.O. BOX 1912
 ODESSA, TX. 79760
 1-800-240-0335

IAS
ACCREDITED™
 Metal Building Systems
 AC 472

APPROVAL & PERMIT

JOB NAME: Collier Construction
 PROJECT NAME: Howard College-SB Fieldhouse
 JOB LOCATION: Big Spring/TX/79720
 DRAWING TITLE: **SIDEWALL FRAMING**
 DATE: 3/ 1/26 DET: _____ JOB NO.: 26011 PG.: E-6

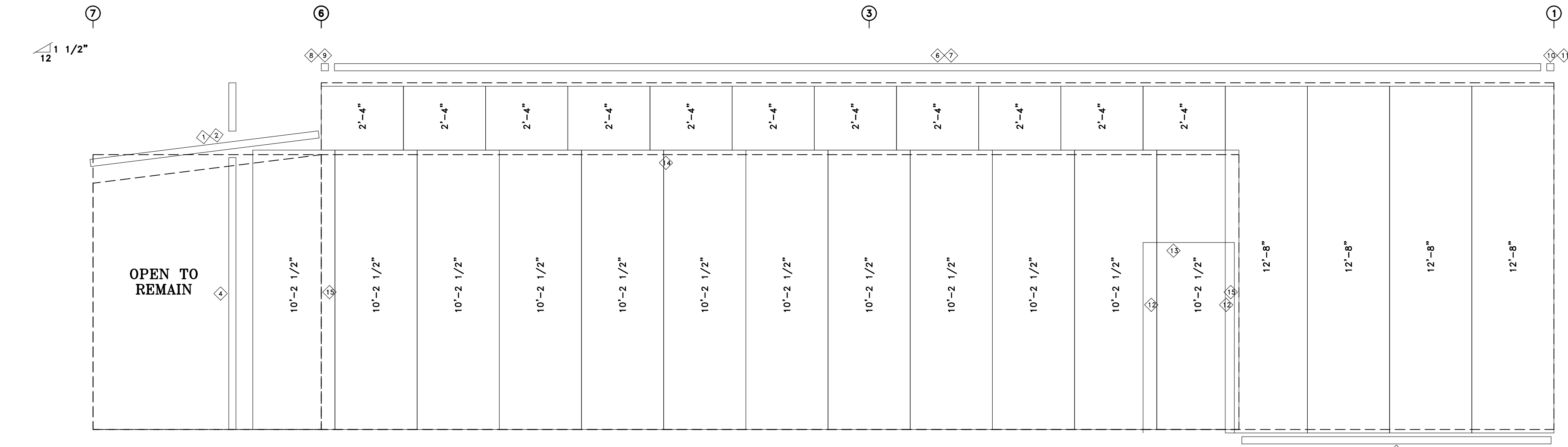


WALL FRAMING: FRAME LINE B

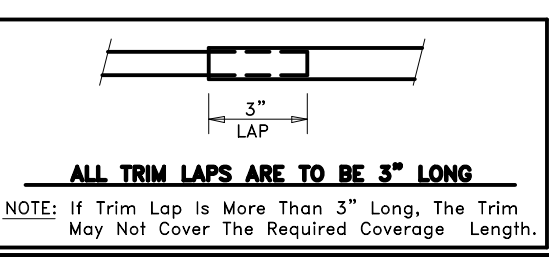
TRIM TABLE				
ID	QUAN	PART	LENGTH	DETAIL
1	1	RAKER243	8'-11"	TRIM_35
2	1	RCF-80-0	10'-3"	TRIM_35
3	5	BASETRIM	10'-3"	
4	1	CRNTR243	2'-9"	TRIM_2
5	1	CRNTR243	12'-9"	TRIM_2
6	2	GUTT243	22'-8"	TRIM_5
7	5	BACKSPLS	10'-3"	
8	1	SGUTENDL	6"	
9	1	SCRNBX-L	6"	TRIM_16
10	1	SGUTENDR	6"	TRIM_16
11	1	SCRNBX-R	6"	TRIM_16
12	2	JMBTR243	7'-0"	TRIM_6
13	1	HEADR243	3'-8"	TRIM_8
14	4	TT2	8'-7"	
15	2	ISCRNTR	2'-8"	

MEMBER TABLE				
FRAME LINE B				
QUAN	MARK	PART	LENGTH	
26011A				
2	DJ-4	8x35C16	9'-4 3/4"	
1	DH-2	8x35C16	3'-4"	
1	E-3	84LEDS14	19'-11 1/2"	
1	E-4	84LEDS14	24'-11 1/2"	
3	G-16	8x25Z16	19'-0 7/8"	
1	G-17	HSS8x4x3/16	19'-0 7/8"	
2	G-18	8x25Z16	9'-5 3/8"	
1	G-19	HH8x43	24'-2 1/4"	
1	G-20	8x25Z16	24'-2 1/4"	
2	G-21	8x25Z16	10'-9 3/8"	
2	CB-2	1/4_CBL	19'-11"	

CONNECTION PLATES			
FRAME LINE B			
ID	QUAN	MARK/PART	
1	2	C-104	
2	1	j2	
3	6	C-5	
4	1	j3	



WALL SHEETING & TRIM: FRAME LINE B
PANELS: 24 Ga. PBR - NEED COLOR KYNAR



APPROVAL DRAWINGS

APPROVED AS DRAWN
 APPROVED AS NOTED
 NOT APPROVED

____ INITIAL

Please Check And Approve All Dimensions And Conditions. STANDARD STRUCTURES Must Be Notified Of Any Changes.

SSI STANDARD STRUCTURES INC.
 MANUFACTURER OF METAL BUILDINGS & COMPONENTS

P.O. BOX 1912
 ODESSA, TX. 79760
 1-800-240-0335

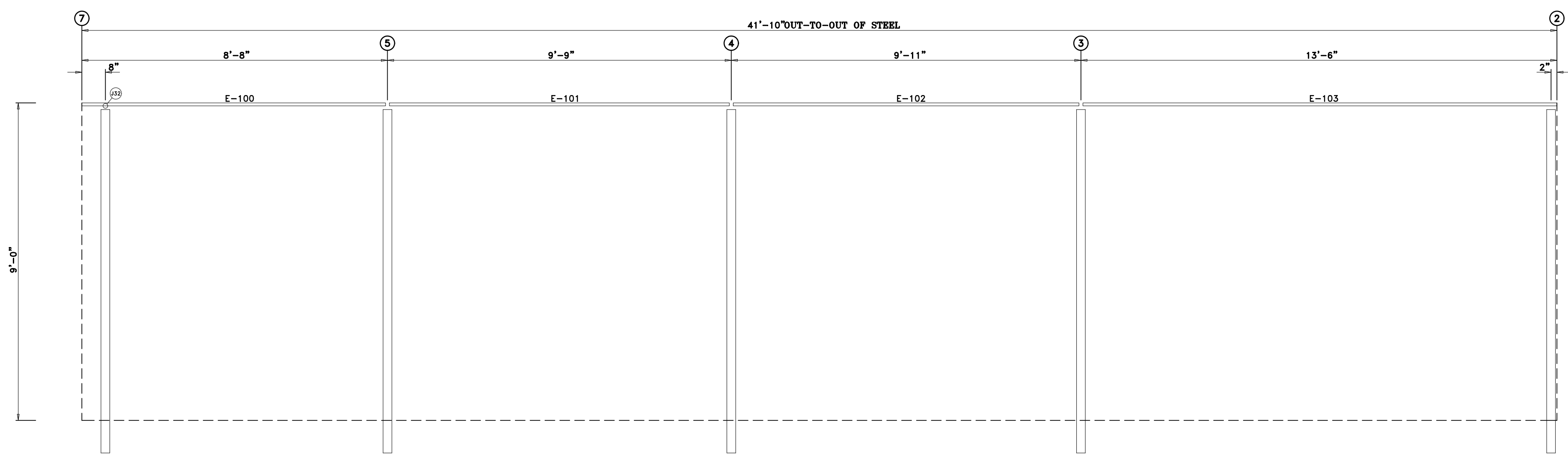
IAS ACCREDITED™
 Metal Building Systems
 AC 472

APPROVAL & PERMIT

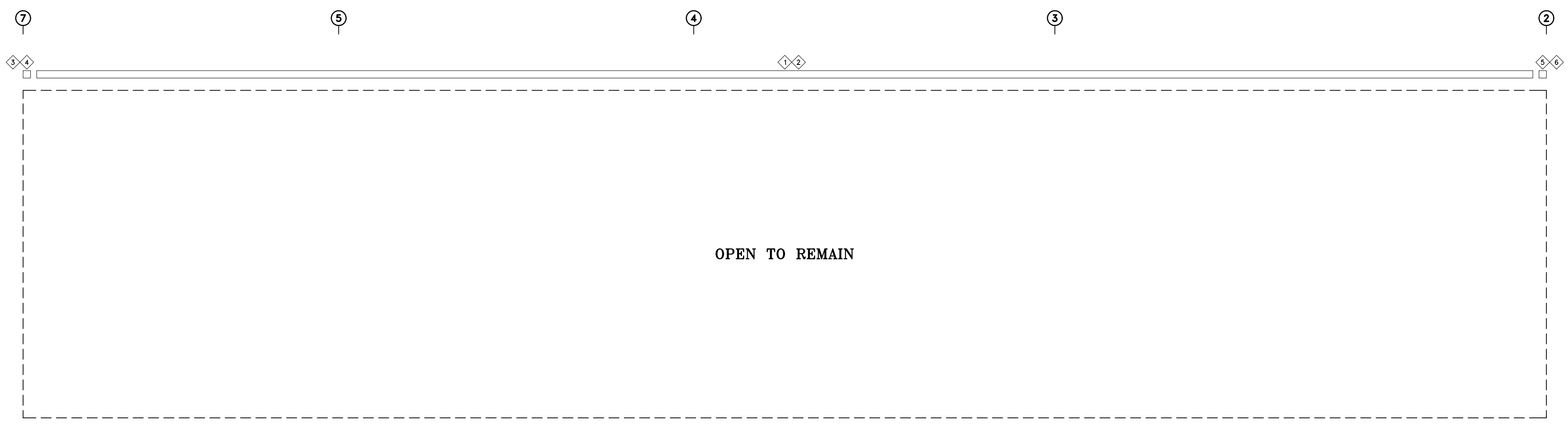
JOB NAME: Collier Construction
 PROJECT NAME: Howard College-SB Fieldhouse
 JOB LOCATION: Big Spring/TX/79720
 DRAWING TITLE: **SIDEWALL FRAMING**
 DATE: 3/ 1/26 DET: _____ JOB NO.: 26011 PG.: E-7

TRIM TABLE				
FRAME LINE A				
ID	QUAN	PART	LENGTH	DETAIL
1	2	GUTT243	21'-1"	TRIM_5
2	5	ECF-80-O	10'-3"	TRIM_36
3	1	SGUTENDL	6"	TRIM_16
4	1	SCRNBX-L	6"	TRIM_16
5	1	SGUTENDR	6"	TRIM_16
6	1	SCRNBX-R	6"	TRIM_16

MEMBER TABLE				
FRAME LINE A				
QUAN	MARK	PART	LENGTH	
1	E-100	8LEDS14	7'-5 1/2"	
1	E-101	8LEDS14	9'-2 1/2"	
1	E-102	8LEDS14	9'-4 1/2"	
1	E-103	8LEDS14	12'-9 1/2"	



SIDEWALL FRAMING: FRAME LINE A



SIDEWALL SHEETING & TRIM: FRAME LINE A

ALL TRIM LAPS ARE TO BE 3" LONG

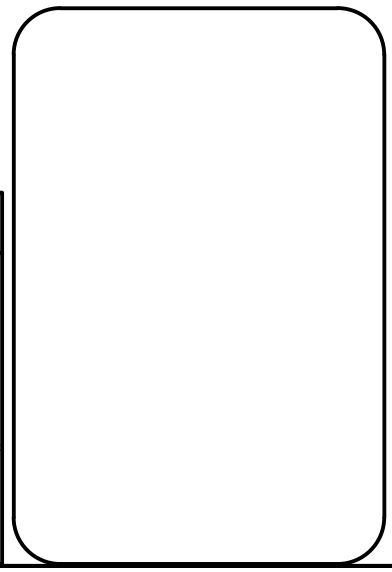
NOTE: If Trim Lap is More Than 3" Long, The Trim May Not Cover The Required Coverage Length.

APPROVAL DRAWINGS

APPROVED AS DRAWN
 APPROVED AS NOTED
 NOT APPROVED

____ INITIAL

Please Check And Approve All Dimensions And Conditions. STANDARD STRUCTURES Must Be Notified Of Any Changes.

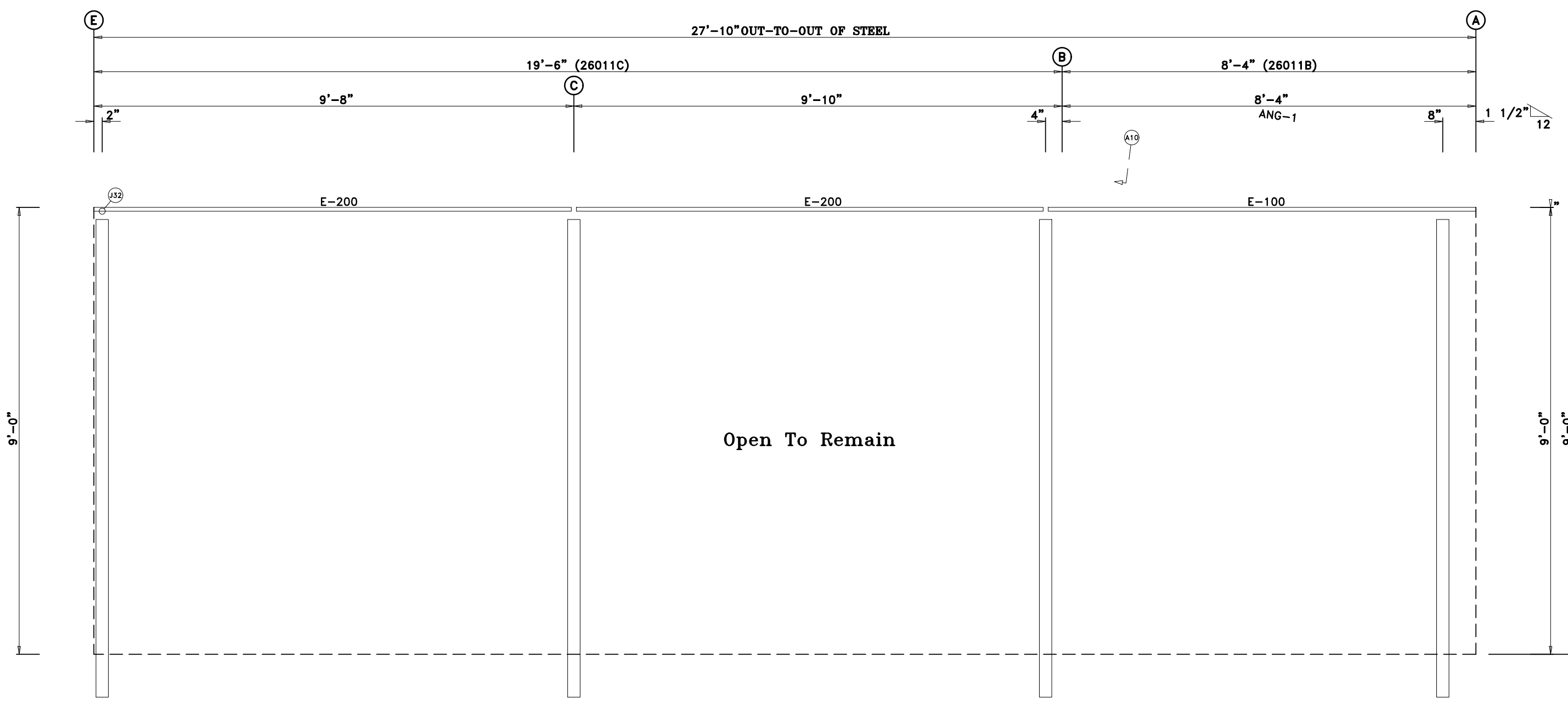


SSI STANDARD STRUCTURES INC.
 MANUFACTURER OF METAL BUILDINGS & COMPONENTS
 P.O. BOX 1912
 ODESSA, TX. 79760
 1-800-240-0335

APPROVAL & PERMIT

JOB NAME: Collier Construction
 PROJECT NAME: Howard College-SB Fieldhouse
 JOB LOCATION: Big Spring/TX/79720
 DRAWING TITLE: **SIDEWALL FRAMING**
 DATE: 3/ 1/26 DET: _____ JOB NO.: 26011 PG.: E-8

IAS
 ACCREDITED™
 Metal Building Systems
 AC 472



TRIM TABLE				
FRAME LINE 7				
ID	QUAN	PART	LENGTH	DETAIL
1	1	GUTT243	19'-6"	TRIM_5
2	2	ECF-80-O	10'-3"	TRIM_36
3	1	SGUTENDL	6"	TRIM_16
4	1	SCRNBX-L	6"	TRIM_16
5	1	SGUTENDR	6"	TRIM_16
6	1	SCRNBX-R	6"	TRIM_16
7	1	RAKER243	8'-11"	TRIM_35
8	1	RCF-80-O	10'-3"	TRIM_35

MEMBER TABLE			
FRAME LINE 7			
QUAN	MARK	PART	LENGTH
2	E-200	8LEDS14	8'-11 1/2"

WALL FRAMING: FRAME LINE 7



WALL SHEETING & TRIM: FRAME LINE 7

ALL TRIM LAPS ARE TO BE 3" LONG

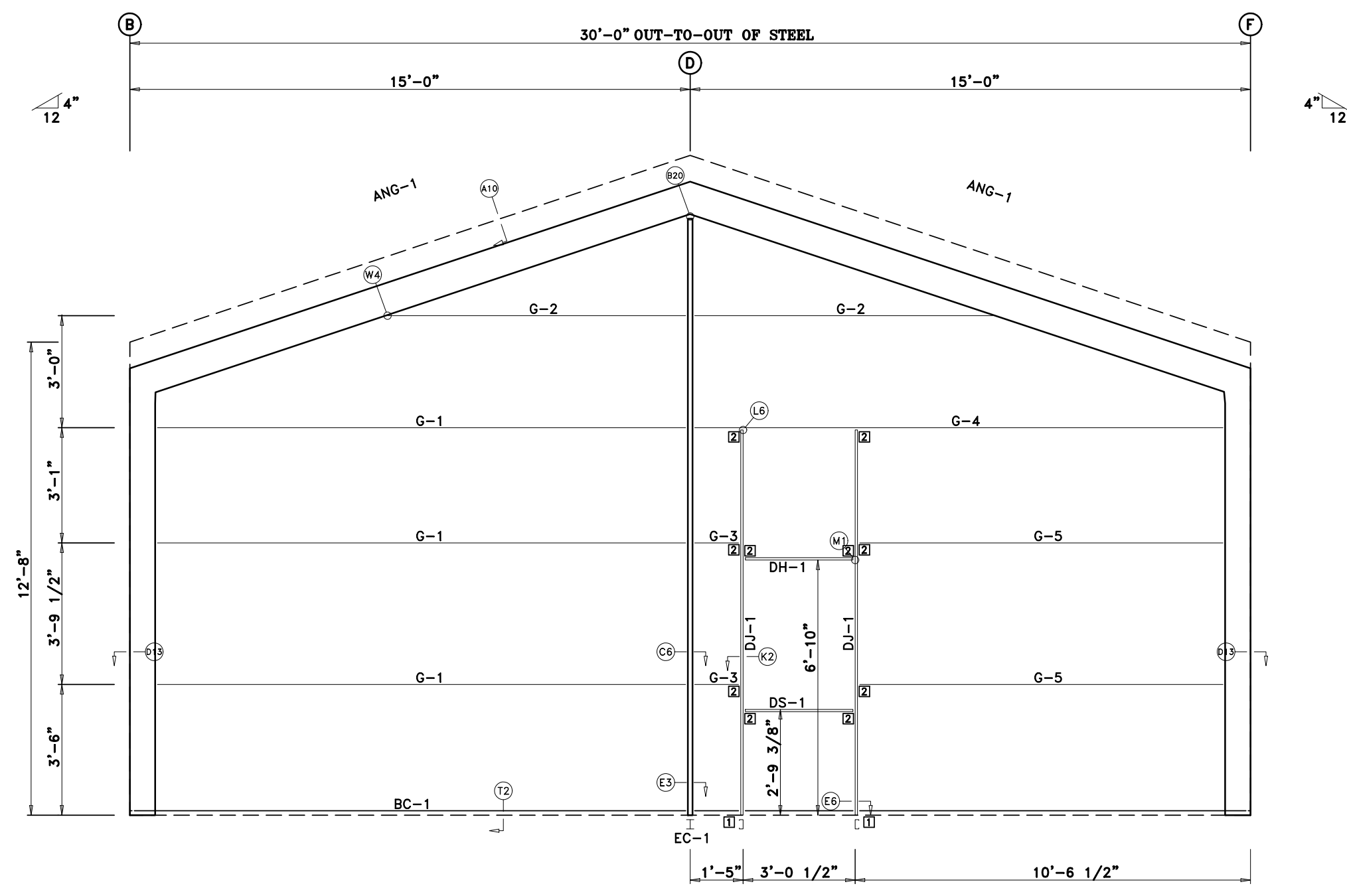
NOTE: If Trim Lap is More Than 3" Long, The Trim May Not Cover The Required Coverage Length.

APPROVAL DRAWINGS	
<input type="checkbox"/>	APPROVED AS DRAWN
<input type="checkbox"/>	APPROVED AS NOTED
<input type="checkbox"/>	NOT APPROVED
____ INITIAL	
Please Check And Approve All Dimensions And Conditions. STANDARD STRUCTURES Must Be Notified Of Any Changes.	

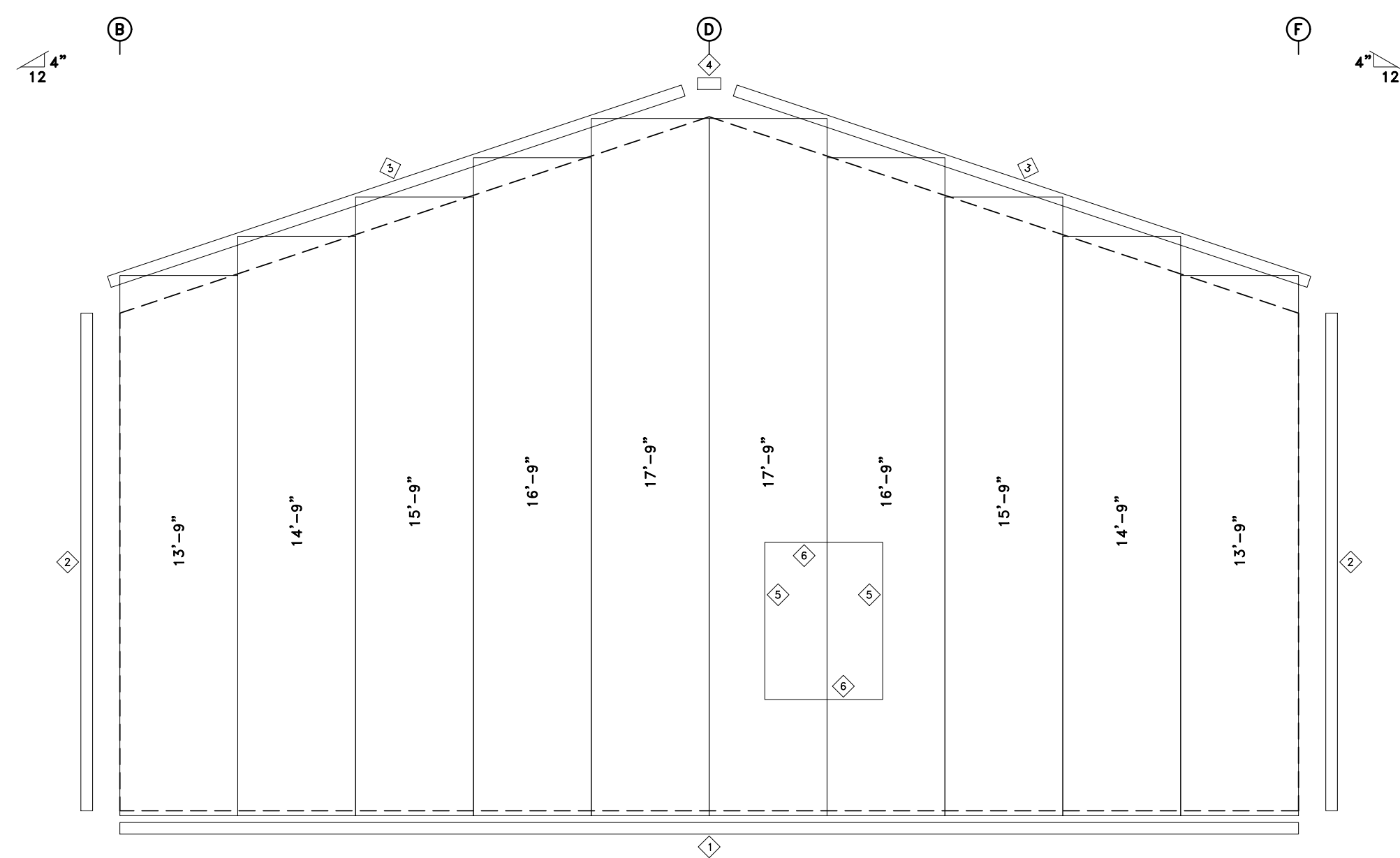
SSI STANDARD STRUCTURES INC.
 MANUFACTURER OF METAL BUILDINGS & COMPONENTS
 P.O. BOX 1912
 ODESSA, TX. 79760
 1-800-240-0335

IAS
 ACCREDITED™
 Metal Building Systems
 AC 472

APPROVAL & PERMIT	
JOB NAME:	Collier Construction
PROJECT NAME:	Howard College-SB Fieldhouse
JOB LOCATION:	Big Spring/TX/79720
DRAWING TITLE:	SIDEWALL FRAMING
DATE:	3/ 1/26
DET:	
JOB NO.:	26011
PG.:	E-9



ENDWALL FRAMING: FRAME LINE 1



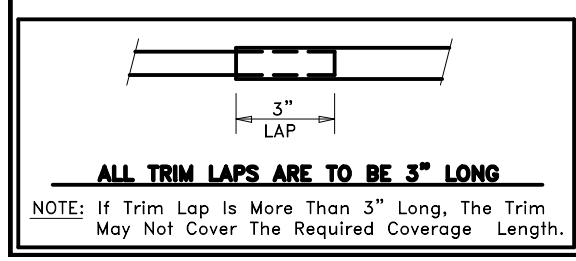
ENDWALL SHEETING & TRIM: FRAME LINE 1
PANELS: 24 Ga. PBR - NEED COLOR KYNAR

TRIM TABLE				
FRAME LINE 1				
ID	QUAN	PART	LENGTH	DETAIL
1	3	BASETRIM	10'-3"	
2	2	CRNTR243	12'-9"	TRIM_2
3	2	RAKER243	16'-4"	TRIM_3
4	1	PEAKBX-R	1'-2"	TRIM_15
5	2	JMBTR243	4'-4"	TRIM_6
6	2	HEADR243	3'-4"	TRIM_8

BOLT TABLE				
FRAME LINE 1				
LOCATION	QUAN	TYPE	DIA	LENGTH
Columns/Raf	4	A325	1/2"	1 1/4"

MEMBER TABLE				
FRAME LINE 1				
QUAN	MARK	PART	LENGTH	
1	EC-1	W8X10	16'-0"	15/16"
2	DJ-1	8x35C16	10'-0"	3/4"
1	DH-1	8x35C16	3'-0"	1/2"
1	DS-1	8x35C16	3'-0"	1/2"
3	G-1	8x25Z16	14'-1"	1/8"
2	G-2	8x25Z16	7'-7"	3/8"
2	G-3	8x25Z16	11"	
1	G-4	8x25Z16	14'-1"	1/8"
2	G-5	8x25Z16	9'-6"	1/8"

CONNECTION PLATES				
FRAME LINE 1				
ID	QUAN	MARK	PART	
1	2	C-104		
2	10	C-5		



APPROVAL DRAWINGS

APPROVED AS DRAWN
 APPROVED AS NOTED
 NOT APPROVED

____ INITIAL

Please Check And Approve All Dimensions And Conditions. STANDARD STRUCTURES Must Be Notified Of Any Changes.

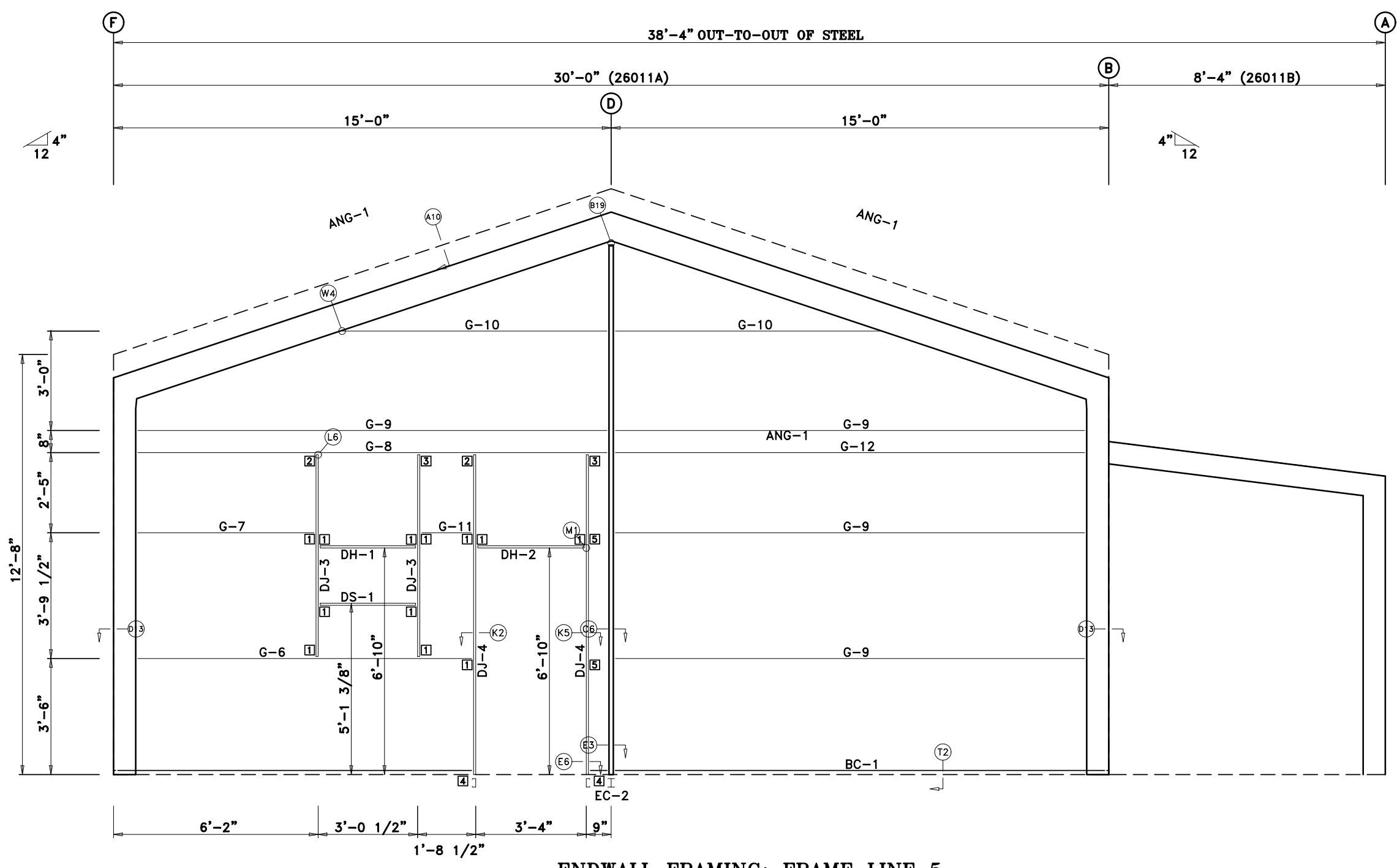
SSI STANDARD STRUCTURES INC.
MANUFACTURER OF METAL BUILDINGS & COMPONENTS

P.O. BOX 1912
 ODESSA, TX. 79760
 1-800-240-0335

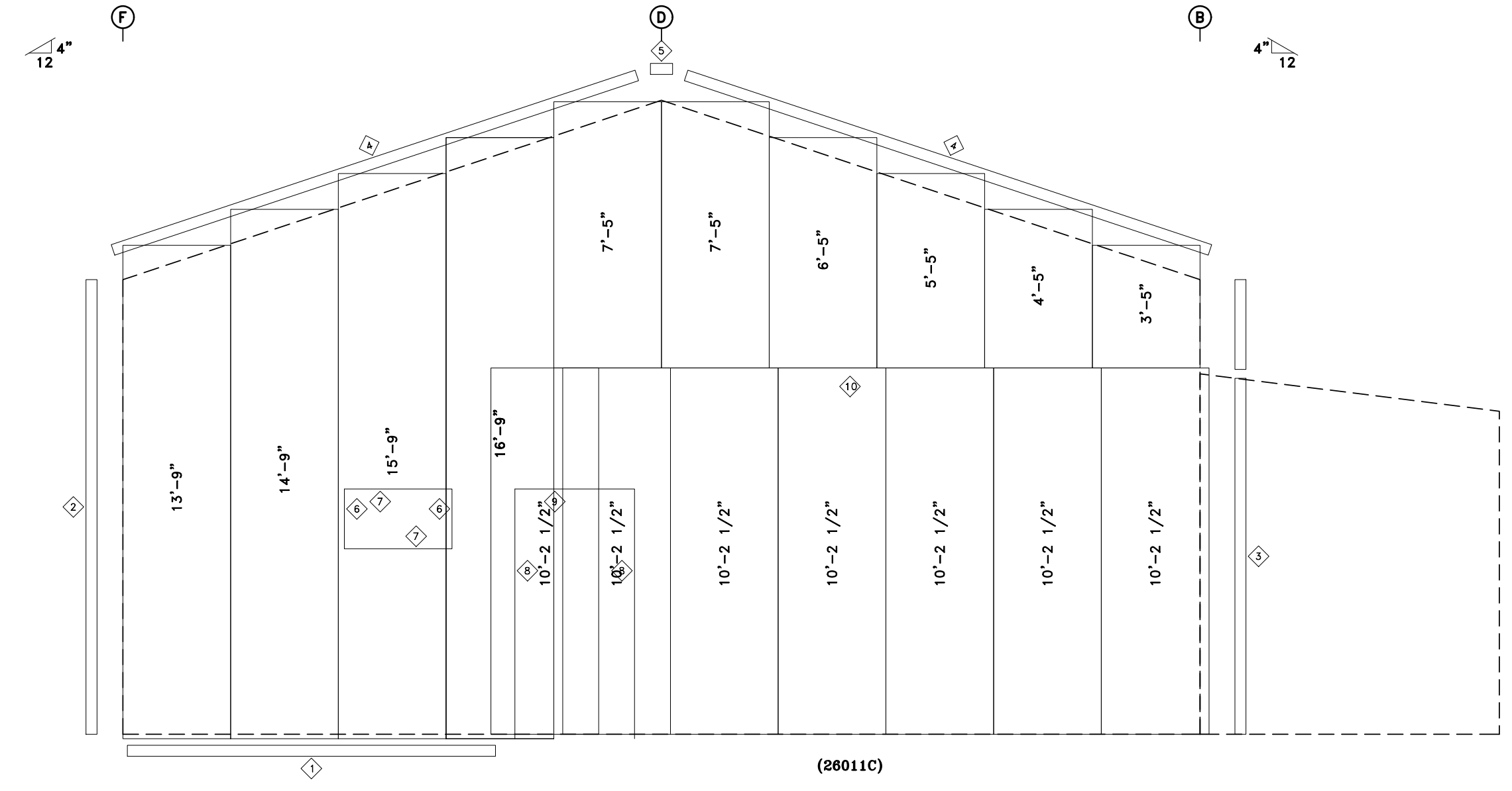
IAS
ACCREDITED™
 Metal Building Systems
 AC 472

APPROVAL & PERMIT

JOB NAME: Collier Construction
 PROJECT NAME: Howard College-SB Fieldhouse
 JOB LOCATION: Big Spring/TX/79720
 DRAWING TITLE: **ENDWALL FRAMING**
 DATE: 3/ 1/26 DET: _____ JOB NO.: 26011 PG.: E-10



ENDWALL FRAMING: FRAME LINE 5



ENDWALL SHEETING & TRIM: FRAME LINE 5

PANELS: 24 Ga. PBR - NEED COLOR KYNAR
 (26011C) PANELS: 24 Ga. PBR - NEED COLOR KYNAR

TRIM TABLE				
FRAME LINE 7				
ID	QUAN	PART	LENGTH	DETAIL
1	4	BASSTRIM	10'-3"	
2	1	CRNTR243	12'-9"	TRIM_2
3	1	CRNTR243	2'-9"	TRIM_2
4	2	RAKER243	16'-4"	TRIM_3
5	1	PEAKBX-R	1'-2"	TRIM_15
6	2	JMBTR243	2'-0"	TRIM_6
7	2	HEADR243	3'-4"	TRIM_8
8	2	JMBTR243	7'-0"	TRIM_6
9	1	HEADR243	3'-8"	TRIM_8
10	2	TT2	9'-11"	

BOLT TABLE				
FRAME LINE 7				
LOCATION	QUAN	TYPE	DIA	LENGTH
Columns/Raf	4	A325	3/4"	1 3/4"

MEMBER TABLE				
FRAME LINE 7				
QUAN	MARK	PART	LENGTH	
1	EC-2	W8X18	16'-0 13/16"	
2	DJ-3	8x35C16	5'-7"	
2	DJ-4	8x35C16	9'-4 3/4"	
1	DH-1	8x35C16	3'-0 1/2"	
1	DH-2	8x35C16	3'-4"	
1	DS-1	8x35C16	3'-0 1/2"	
1	G-6	8x25Z16	9'-10 3/4"	
1	G-7	8x25Z16	5'-1 3/4"	
1	G-8	HSS8x4x3/16	14'-0 5/8"	
4	G-9	8x25Z16	14'-0 5/8"	
2	G-10	8x25Z16	7'-6 3/4"	
1	G-11	8x25Z16	1'-1"	
1	G-12	HH8x43	14'-0 5/8"	

CONNECTION PLATES			
FRAME LINE 7			
ID	QUAN	MARK/PART	
1	12	C-5	
2	2	j2	
3	2	j3	
4	2	C-104	
5	2	b2	

ALL TRIM LAPS ARE TO BE 3" LONG

NOTE: If Trim Lap is More Than 3" Long, The Trim May Not Cover The Required Coverage Length.

APPROVAL DRAWINGS

APPROVED AS DRAWN
 APPROVED AS NOTED
 NOT APPROVED

____ INITIAL

Please Check And Approve All Dimensions And Conditions. STANDARD STRUCTURES Must Be Notified Of Any Changes.

SSI STANDARD STRUCTURES INC.
 MANUFACTURER OF METAL BUILDINGS & COMPONENTS
 P.O. BOX 1912
 ODESSA, TX. 79760
 1-800-240-0335

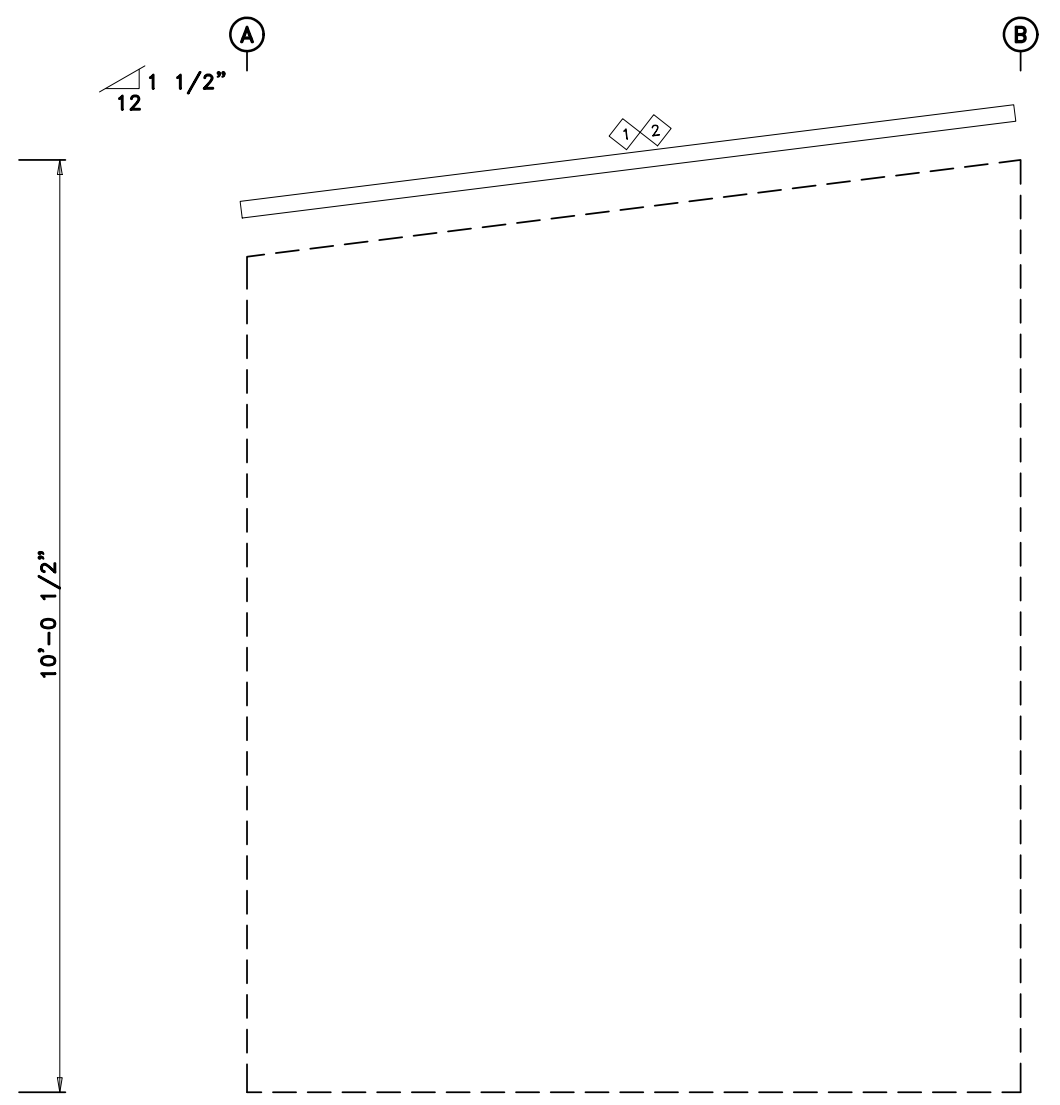
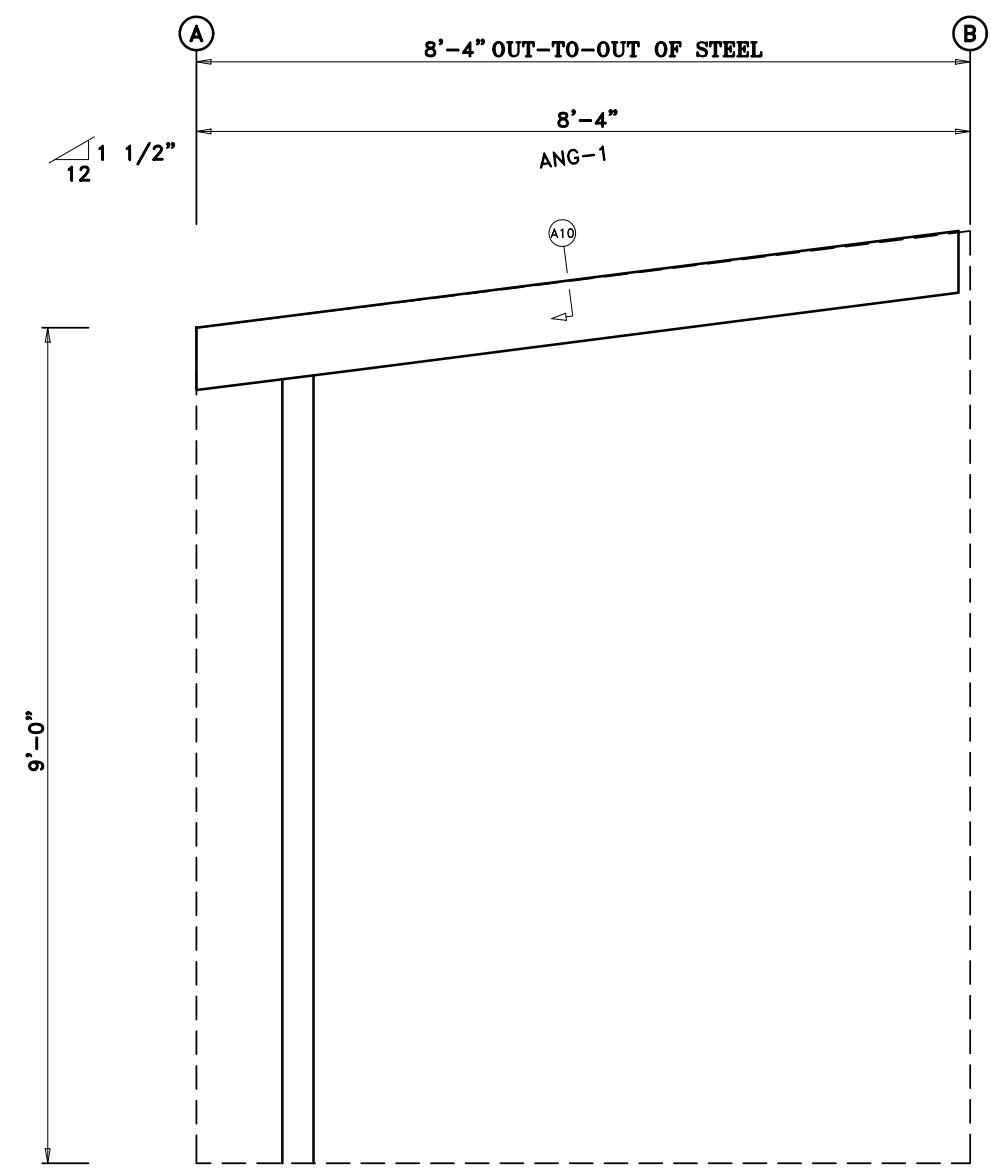
IAS
 ACCREDITED™
 Metal Building Systems
 AC 472

APPROVAL & PERMIT

JOB NAME: Collier Construction
 PROJECT NAME: Howard College-SB Fieldhouse
 JOB LOCATION: Big Spring/TX/79720
 DRAWING TITLE: **ENDWALL FRAMING**
 DATE: 3/ 1/26 DET: _____ JOB NO.: 26011 PG.: E-11

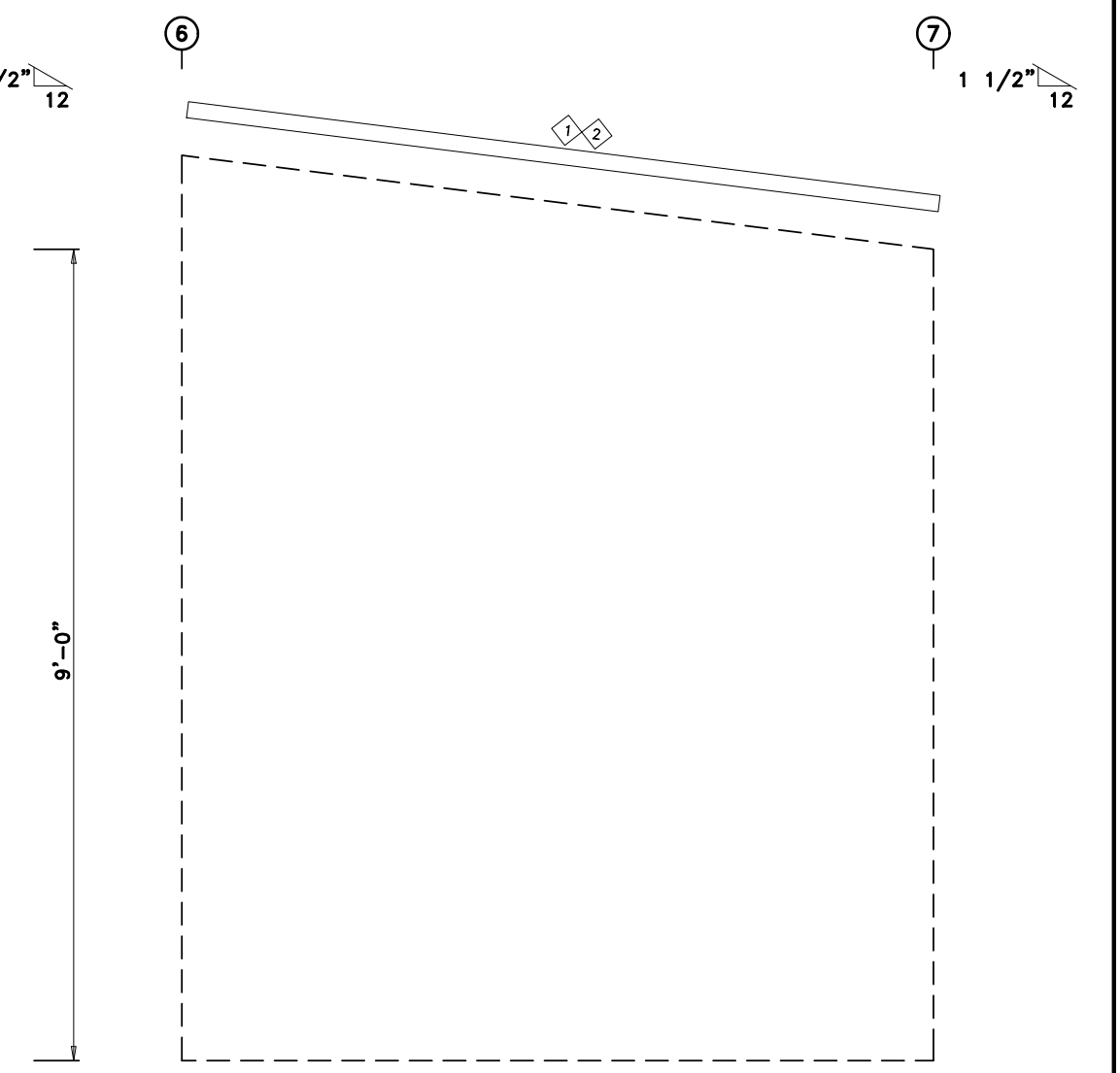
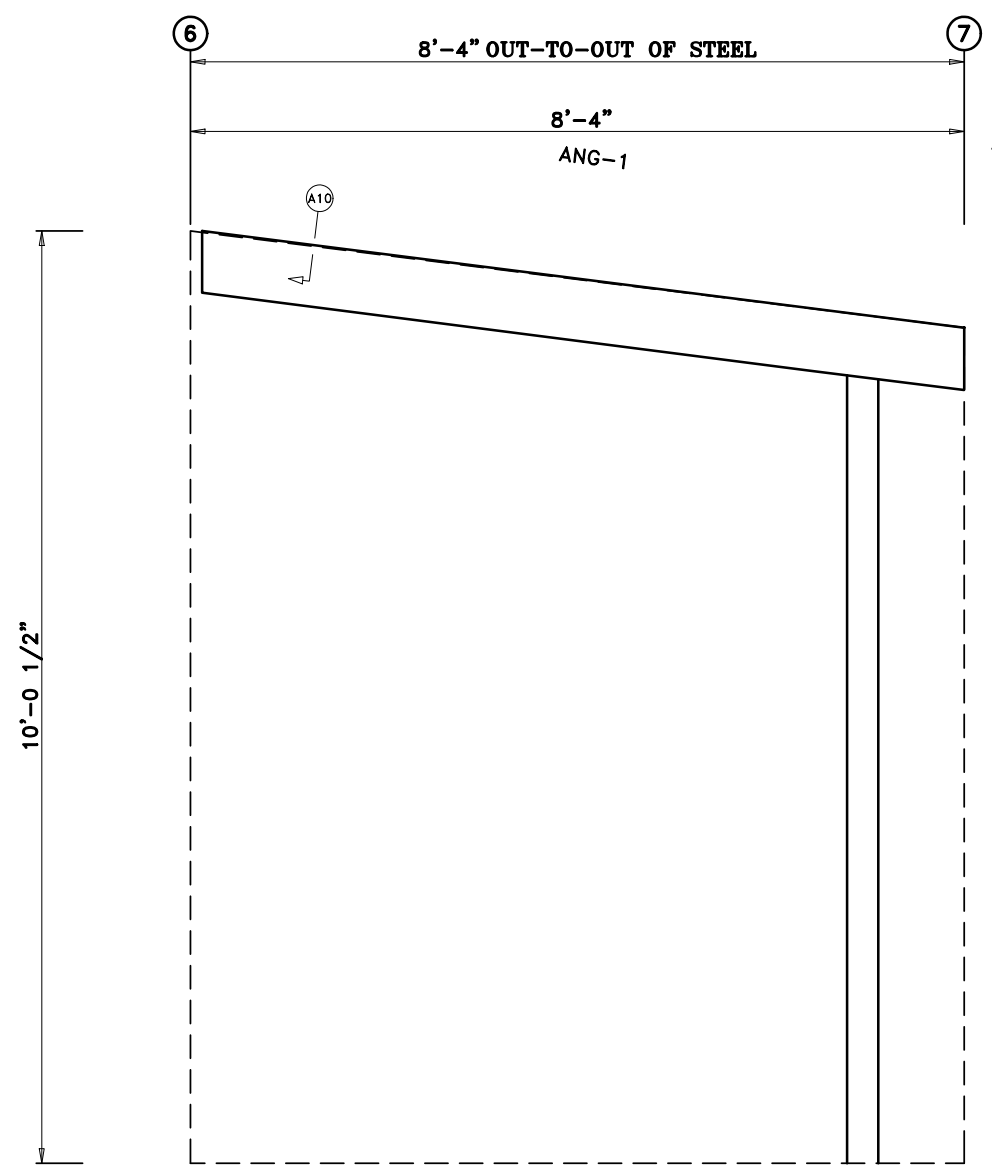
TRIM TABLE				
FRAME LINE 2				
ID	QUAN	PART	LENGTH	DETAIL
1	1	RAKER243	8'-11"	TRIM_35
2	1	RCF-80-0	10'-3"	TRIM_35

TRIM TABLE				
FRAME LINE E				
ID	QUAN	PART	LENGTH	DETAIL
1	1	RAKER243	8'-11"	TRIM_35
2	1	RCF-80-0	10'-3"	TRIM_35



ENDWALL FRAMING: FRAME LINE 2

ENDWALL SHEETING & TRIM: FRAME LINE 2



ENDWALL FRAMING: FRAME LINE E

ENDWALL SHEETING & TRIM: FRAME LINE E

ALL TRIM LAPS ARE TO BE 3" LONG

NOTE: If Trim Lap is More Than 3" Long, The Trim May Not Cover The Required Coverage Length.

APPROVAL DRAWINGS

APPROVED AS DRAWN
 APPROVED AS NOTED
 NOT APPROVED

____ INITIAL

Please Check And Approve All Dimensions And Conditions. STANDARD STRUCTURES Must Be Notified Of Any Changes.

SSI STANDARD STRUCTURES INC.
 MANUFACTURER OF METAL BUILDINGS & COMPONENTS
 P.O. BOX 1912
 ODESSA, TX. 79760
 1-800-240-0335

IAS
 ACCREDITED™
 Metal Building Systems
 AC 472

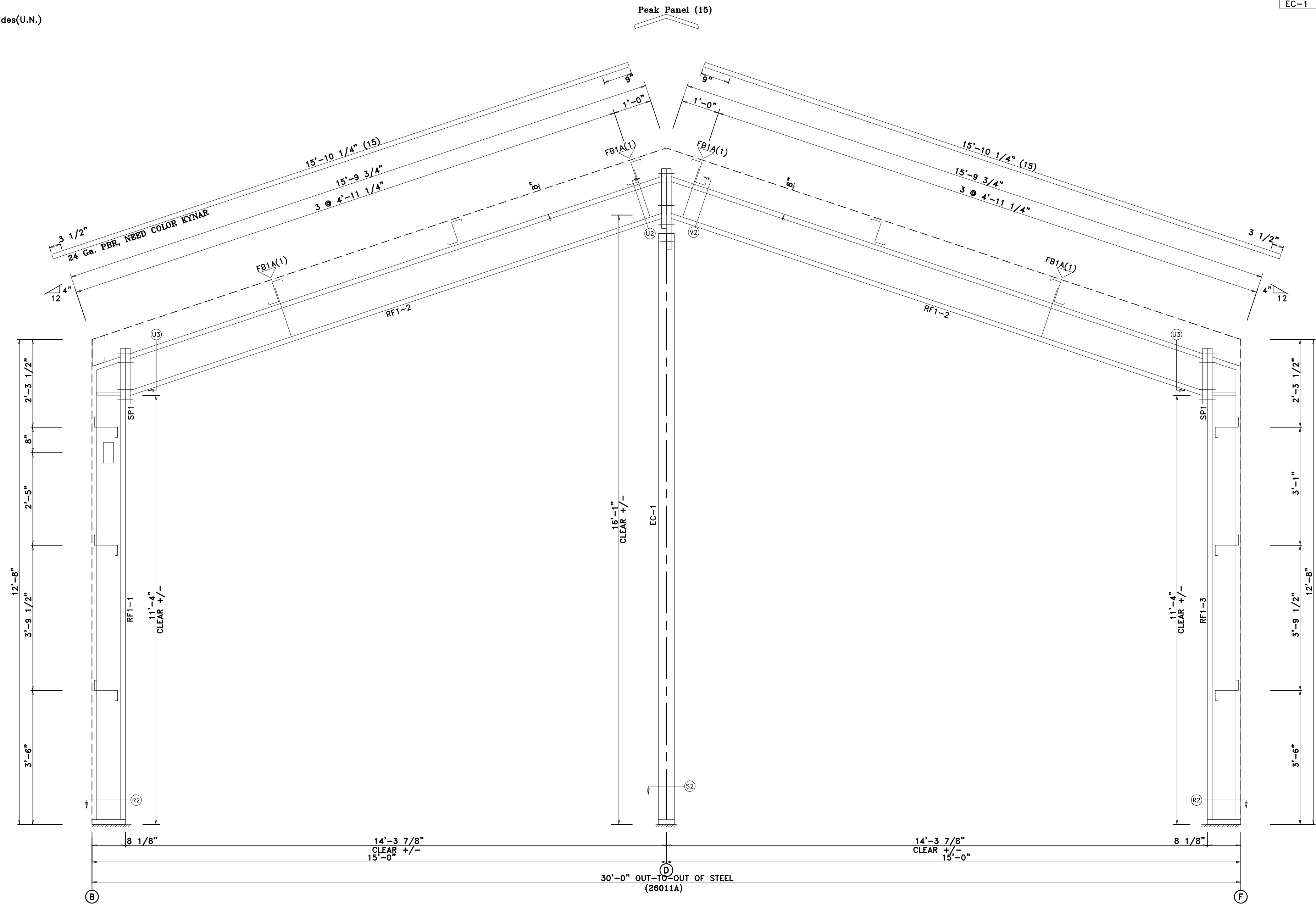
APPROVAL & PERMIT

JOB NAME: Collier Construction
 PROJECT NAME: Howard College-SB Fieldhouse
 JOB LOCATION: Big Spring/TX/79720
 DRAWING TITLE: **ENDWALL FRAMING**
 DATE: 3/ 1/26 DET: _____ JOB NO.: 26011 PG.: E-12

SPLICE PLATE & BOLT TABLE										CAP PLATE BOLTS				
Mark	Qty Top	Qty Bot	Int	Type	Dia	Length	Width	Thick	Length	Mark	Qty	Type	Dia	Length
SP1	4	4	0	A325	5/8"	1 3/4"	6"	3/8"	1'-5 1/2"	EC-1	4	A325	1/2"	1 1/2"
SP2	4	2	0	A325	5/8"	1 3/4"	6"	3/8"	1'-2"					

MEMBER SIZE TABLE		
MARK	MEMBER	LENGTH
RF1-1	W8X18	11'-11 9/16"
RF1-2	W10X12	15'-1 1/8"
RF1-3	W8X18	11'-11 9/16"
EC-1	W8X10	16'-0 15/16"

FLANGE BRACES: Both Sides(U.N.)
 FBxxA(1)
 A - F2X2X14g



RIGID FRAME SECTION: FRAME LINE 1

APPROVAL DRAWINGS	
<input type="checkbox"/>	APPROVED AS DRAWN
<input type="checkbox"/>	APPROVED AS NOTED
<input type="checkbox"/>	NOT APPROVED
____ INITIAL	
Please Check And Approve All Dimensions And Conditions. STANDARD STRUCTURES Must Be Notified Of Any Changes.	

SSI STANDARD STRUCTURES INC.
 MANUFACTURER OF METAL BUILDINGS & COMPONENTS
 P.O. BOX 1912
 ODESSA, TX. 79760
 1-800-240-0335



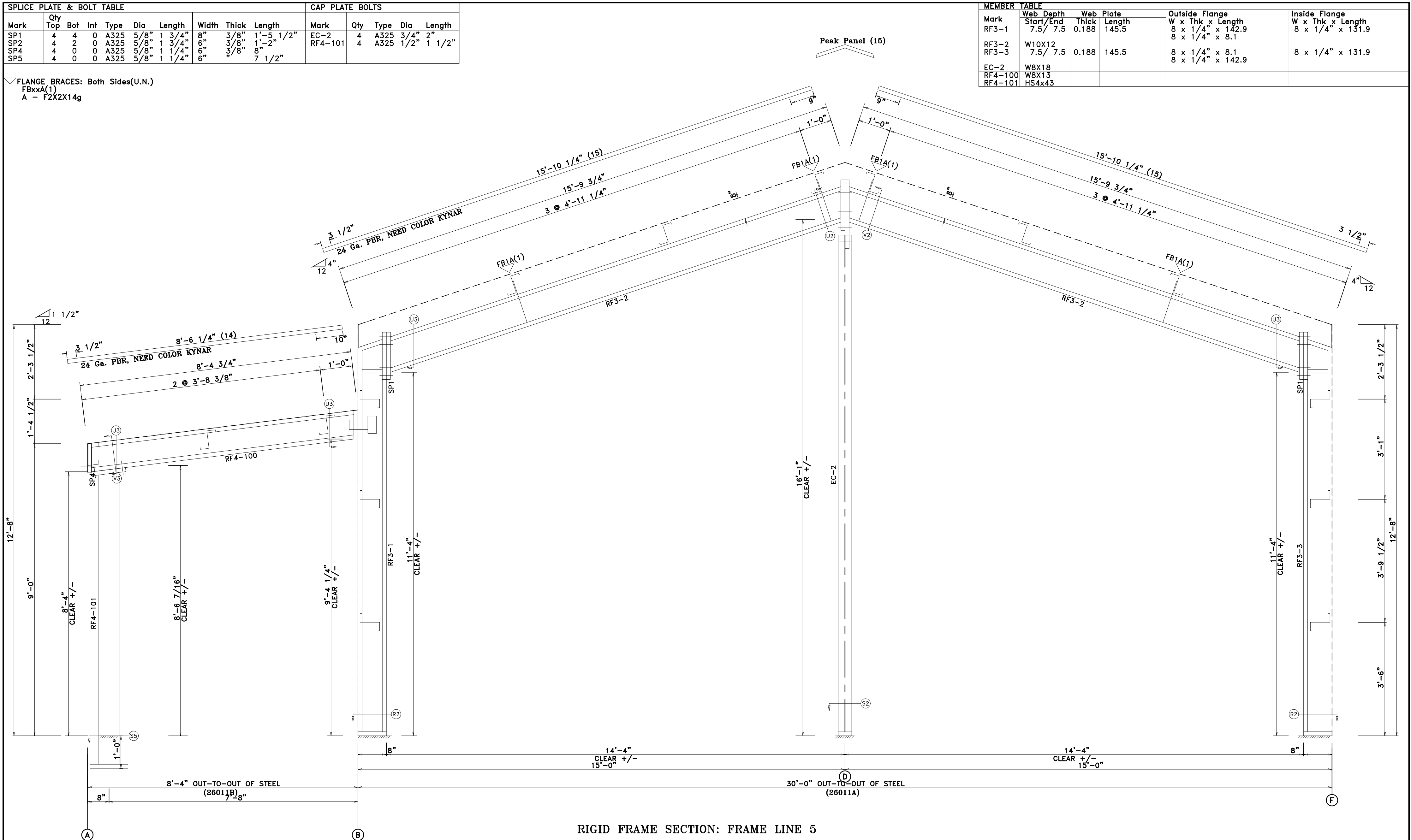
APPROVAL & PERMIT

JOB NAME:	Collier Construction
PROJECT NAME:	Howard College-SB Fieldhouse
JOB LOCATION:	Big Spring/TX/79720
DRAWING TITLE:	RIGID FRAME SECTION
DATE:	3/ 1/26
DET:	
JOB NO.:	26011
PG.:	E-13

SPLICE PLATE & BOLT TABLE										CAP PLATE BOLTS				
Mark	Qty Top	Qty Bot	Int	Type	Dia	Length	Width	Thick	Length	Mark	Qty	Type	Dia	Length
SP1	4	4	0	A325	5/8"	1 3/4"	8"	3/8"	1'-5 1/2"	EC-2	4	A325	3/4"	2"
SP2	4	2	0	A325	5/8"	1 3/4"	6"	3/8"	1'-2"	RF4-101	4	A325	1/2"	1 1/2"
SP4	4	0	0	A325	5/8"	1 1/4"	6"	3/8"	8"					
SP5	4	0	0	A325	5/8"	1 1/4"	6"	3/8"	7 1/2"					


MEMBER TABLE					
Mark	Web Depth Start/End	Web Thick	Web Plate Length	Outside Flange W x Thk x Length	Inside Flange W x Thk x Length
RF3-1	7.5/ 7.5	0.188	145.5	8 x 1/4" x 142.9	8 x 1/4" x 131.9
RF3-2	W10X12			8 x 1/4" x 8.1	
RF3-3	7.5/ 7.5	0.188	145.5	8 x 1/4" x 8.1	8 x 1/4" x 131.9
EC-2	W8X18				
RF4-100	W8X13				
RF4-101	HS4x43				

FLANGE BRACES: Both Sides(U.N.)
 FBxxA(1)
 A - F2X2X14g




RIGID FRAME SECTION: FRAME LINE 5

APPROVAL DRAWINGS	
<input type="checkbox"/>	APPROVED AS DRAWN
<input type="checkbox"/>	APPROVED AS NOTED
<input type="checkbox"/>	NOT APPROVED
____ INITIAL	
Please Check And Approve All Dimensions And Conditions. STANDARD STRUCTURES Must Be Notified Of Any Changes.	



STANDARD STRUCTURES INC.
 MANUFACTURER OF METAL BUILDINGS & COMPONENTS
 P.O. BOX 1912
 ODESSA, TX. 79760
 1-800-240-0335



ACCREDITED™
 Metal Building Systems
 AC 472

APPROVAL & PERMIT

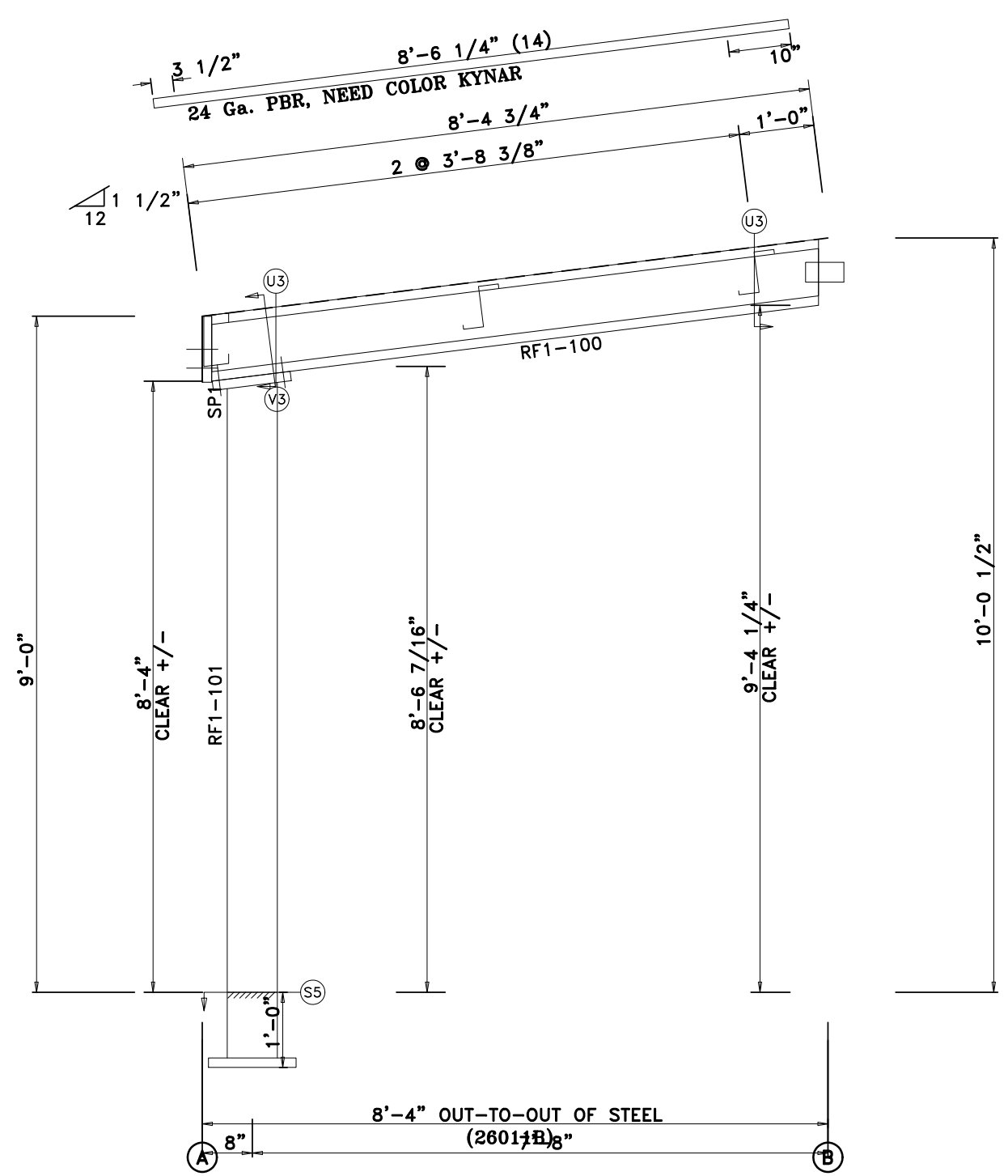
JOB NAME: Collier Construction
 PROJECT NAME: Howard College-SB Fieldhouse
 JOB LOCATION: Big Spring/TX/79720
 DRAWING TITLE: RIGID FRAME SECTION
 DATE: 3/ 1/26 DET: _____ JOB NO.: 26011 PG.: E-15

SPLICE PLATE & BOLT TABLE										CAP PLATE BOLTS				
Mark	Qty Top	Qty Bot	Int	Type	Dia	Length	Width	Thick	Length	Mark	Qty	Type	Dia	Length
SP1	4	0	0	A325	5/8"	1 1/4"	6"	3/8"	8"	RF1-101	4	A325	1/2"	1 1/2"
SP2	4	0	0	A325	5/8"	1 1/4"	6"	3/8"	7 1/2"					

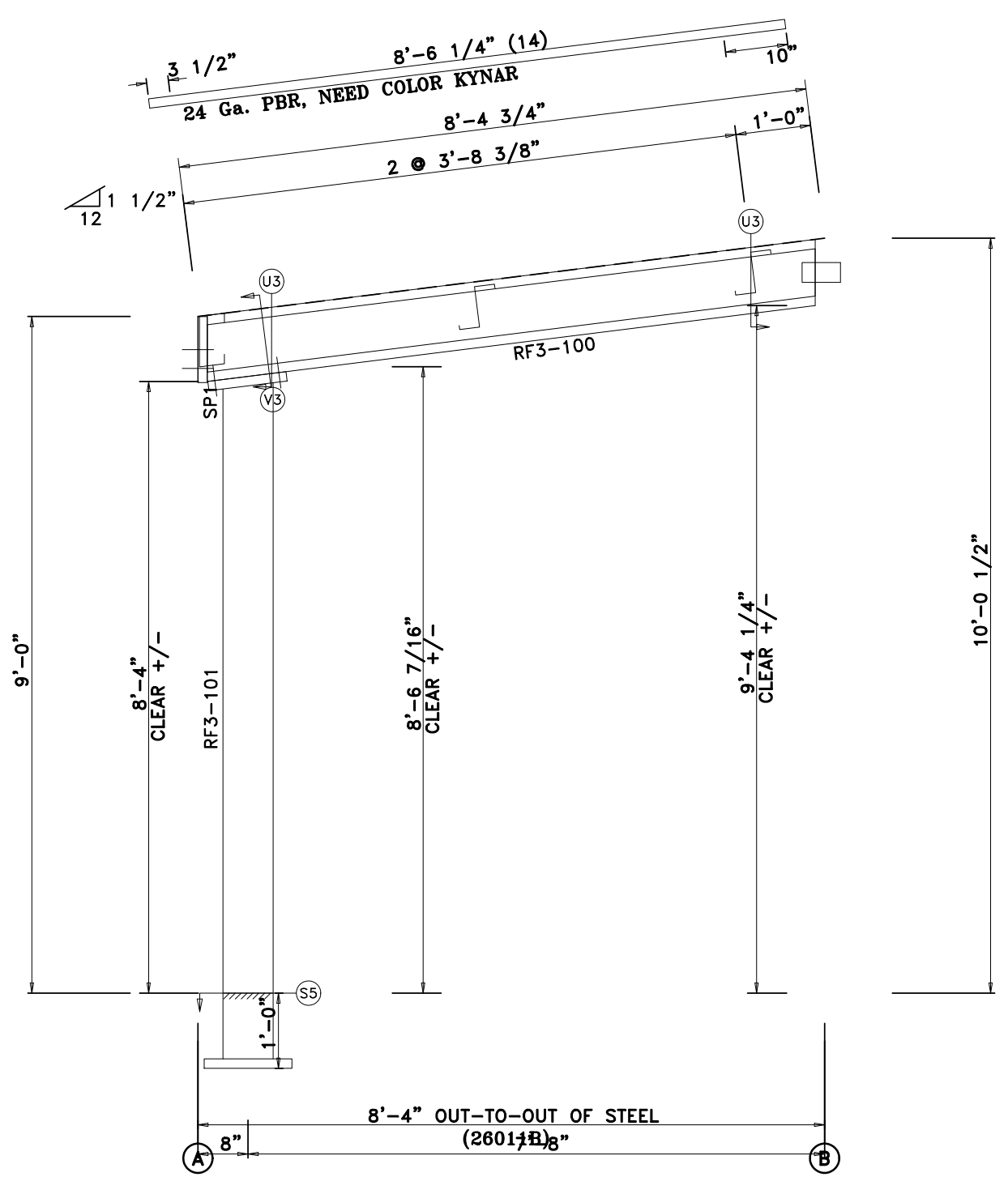
SPLICE PLATE & BOLT TABLE										CAP PLATE BOLTS				
Mark	Qty Top	Qty Bot	Int	Type	Dia	Length	Width	Thick	Length	Mark	Qty	Type	Dia	Length
SP1	4	0	0	A325	5/8"	1 1/4"	6"	3/8"	8"	RF3-101	4	A325	1/2"	1 1/2"
SP2	4	0	0	A325	5/8"	1 1/4"	6"	3/8"	7 1/2"					

SPLICE PLATE & BOLT TABLE										CAP PLATE BOLTS				
Mark	Qty Top	Qty Bot	Int	Type	Dia	Length	Width	Thick	Length	Mark	Qty	Type	Dia	Length
SP1	4	0	0	A325	5/8"	1 1/4"	6"	3/8"	8"	RF5-101	4	A325	1/2"	1 1/2"
SP2	4	0	0	A325	5/8"	1 1/4"	6"	3/8"	7 1/2"					

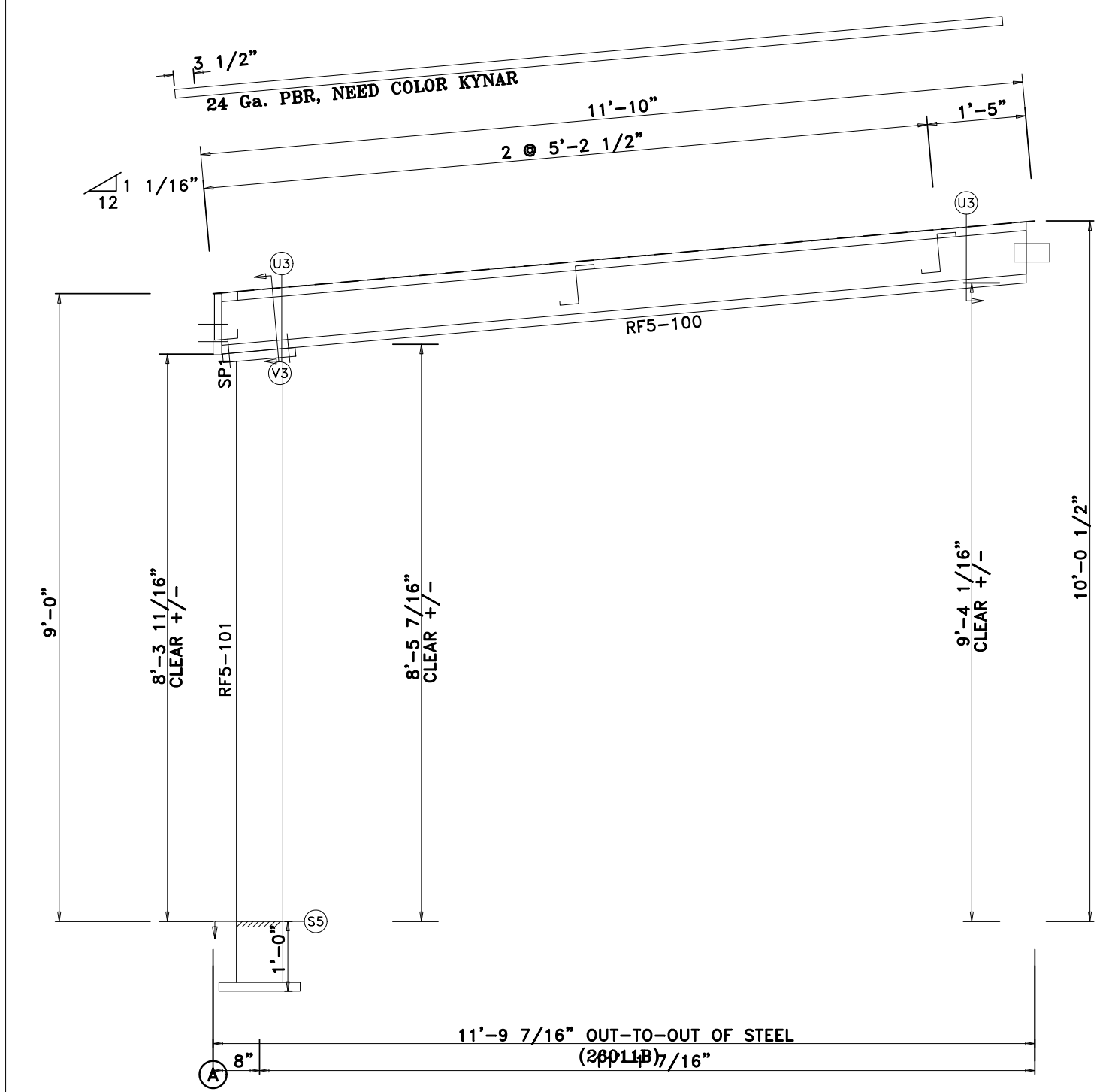
SPLICE PLATE & BOLT TABLE										CAP PLATE BOLTS				
Mark	Qty Top	Qty Bot	Int	Type	Dia	Length	Width	Thick	Length	Mark	Qty	Type	Dia	Length
SP1	4	0	0	A325	5/8"	1 1/4"	6"	3/8"	8"	RF5-101	4	A325	1/2"	1 1/2"
SP2	4	0	0	A325	5/8"	1 1/4"	6"	3/8"	7 1/2"					



RIGID FRAME SECTION: FRAME LINE 2



RIGID FRAME SECTION: FRAME LINE 4



HIP RIGID FRAME SECTION: FRAME LINE 7A - 5B

MARK	MEMBER	LENGTH
RF1-100	WBX13	8'-3 1/4"
RF1-101	HS4x43	9'-5 3/16"

MARK	MEMBER	LENGTH
RF3-100	WBX13	8'-3 1/4"
RF3-101	HS4x43	9'-5 3/16"

MARK	MEMBER	LENGTH
RF5-100	WBX13	11'-8 7/16"
RF5-101	HS4x43	9'-4 9/16"

APPROVAL DRAWINGS

APPROVED AS DRAWN
 APPROVED AS NOTED
 NOT APPROVED

____ INITIAL

Please Check And Approve All Dimensions
 And Conditions. STANDARD STRUCTURES
 Must Be Notified Of Any Changes.

SSI STANDARD STRUCTURES INC.
 MANUFACTURER OF METAL BUILDINGS & COMPONENTS
 P.O. BOX 1912
 ODESSA, TX. 79760
 1-800-240-0335

IAS ACCREDITED™
 Metal Building Systems
 AC 472

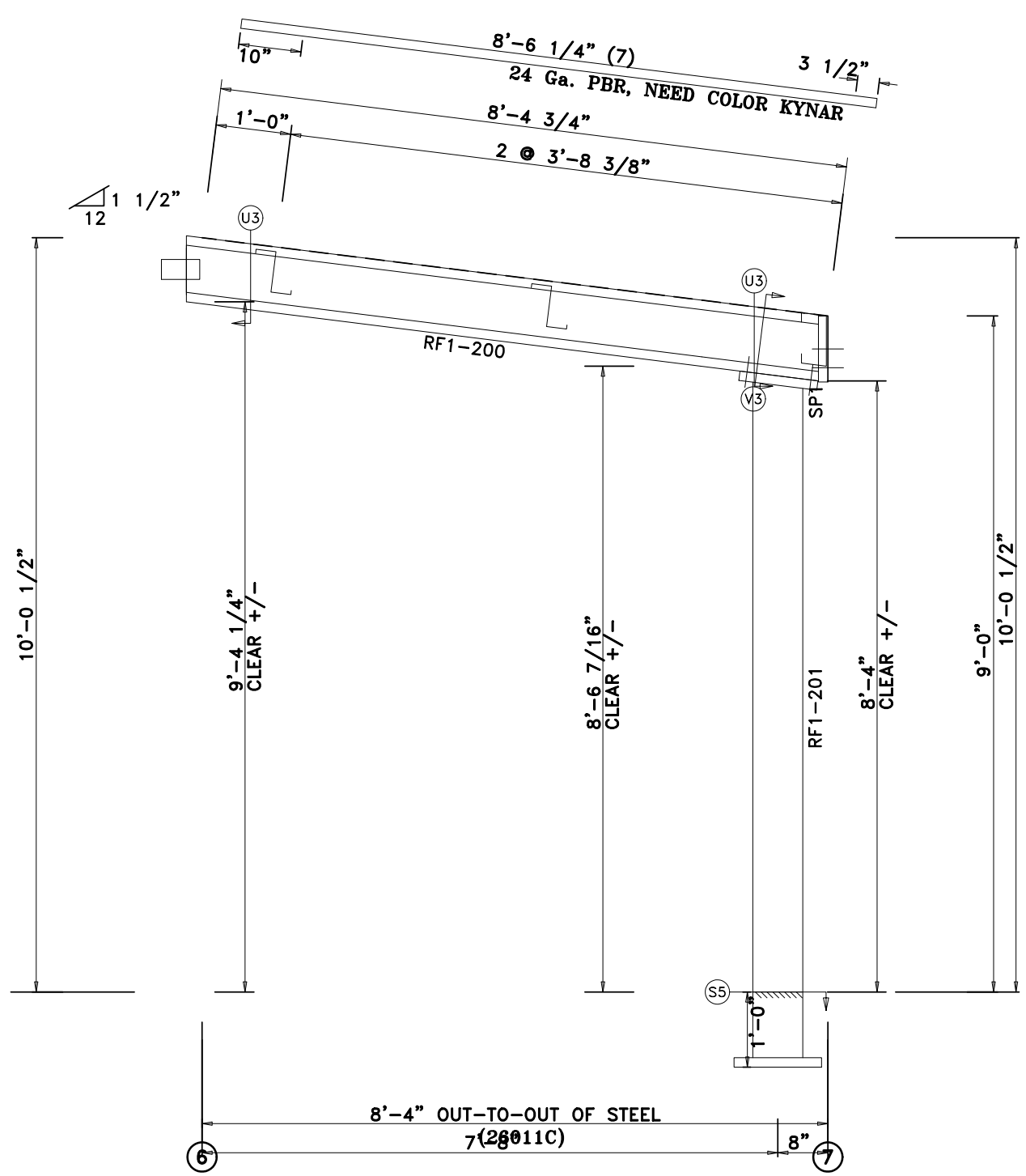
APPROVAL & PERMIT

JOB NAME: Collier Construction
 PROJECT NAME: Howard College-SB Fieldhouse
 JOB LOCATION: Big Spring/TX/79720
 DRAWING TITLE: RIGID FRAME SECTION
 DATE: 3/ 1/26 DET: _____ JOB NO.: 26011 PG.: E-16

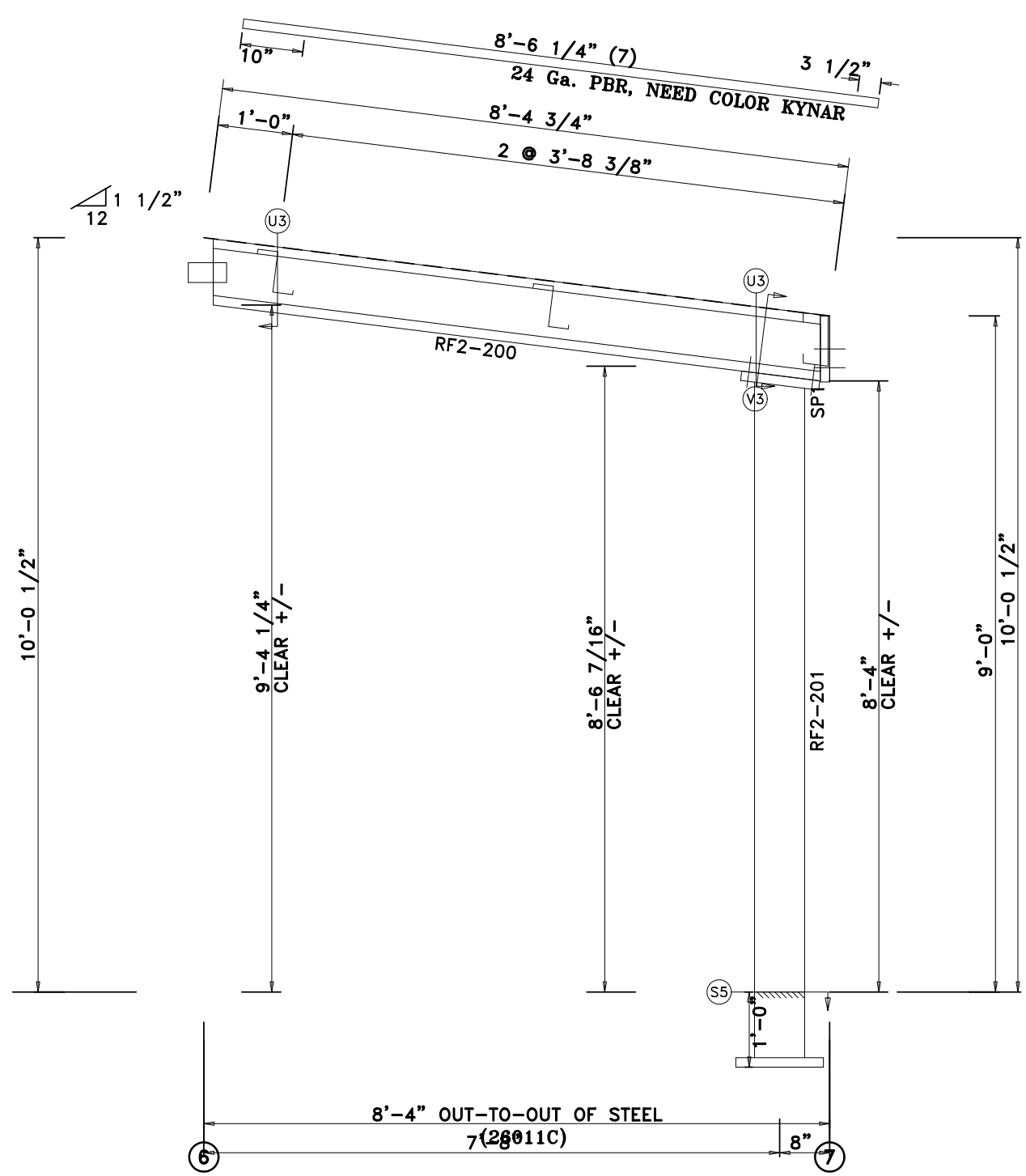
SPLICE PLATE & BOLT TABLE										CAP PLATE BOLTS				
Mark	Qty Top	Qty Bot	Int	Type	Dia	Length	Width	Thick	Length	Mark	Qty	Type	Dia	Length
SP1	4	0	0	A325	5/8"	1 1/4"	6"	3/8"	8"	RF1-201	4	A325	1/2"	1 1/2"
SP2	4	0	0	A325	5/8"	1 1/4"	6"	3/8"	7 1/2"					

SPLICE PLATE & BOLT TABLE										CAP PLATE BOLTS				
Mark	Qty Top	Qty Bot	Int	Type	Dia	Length	Width	Thick	Length	Mark	Qty	Type	Dia	Length
SP1	4	0	0	A325	5/8"	1 1/4"	6"	3/8"	8"	RF2-201	4	A325	1/2"	1 1/2"
SP2	4	0	0	A325	5/8"	1 1/4"	6"	3/8"	7 1/2"					

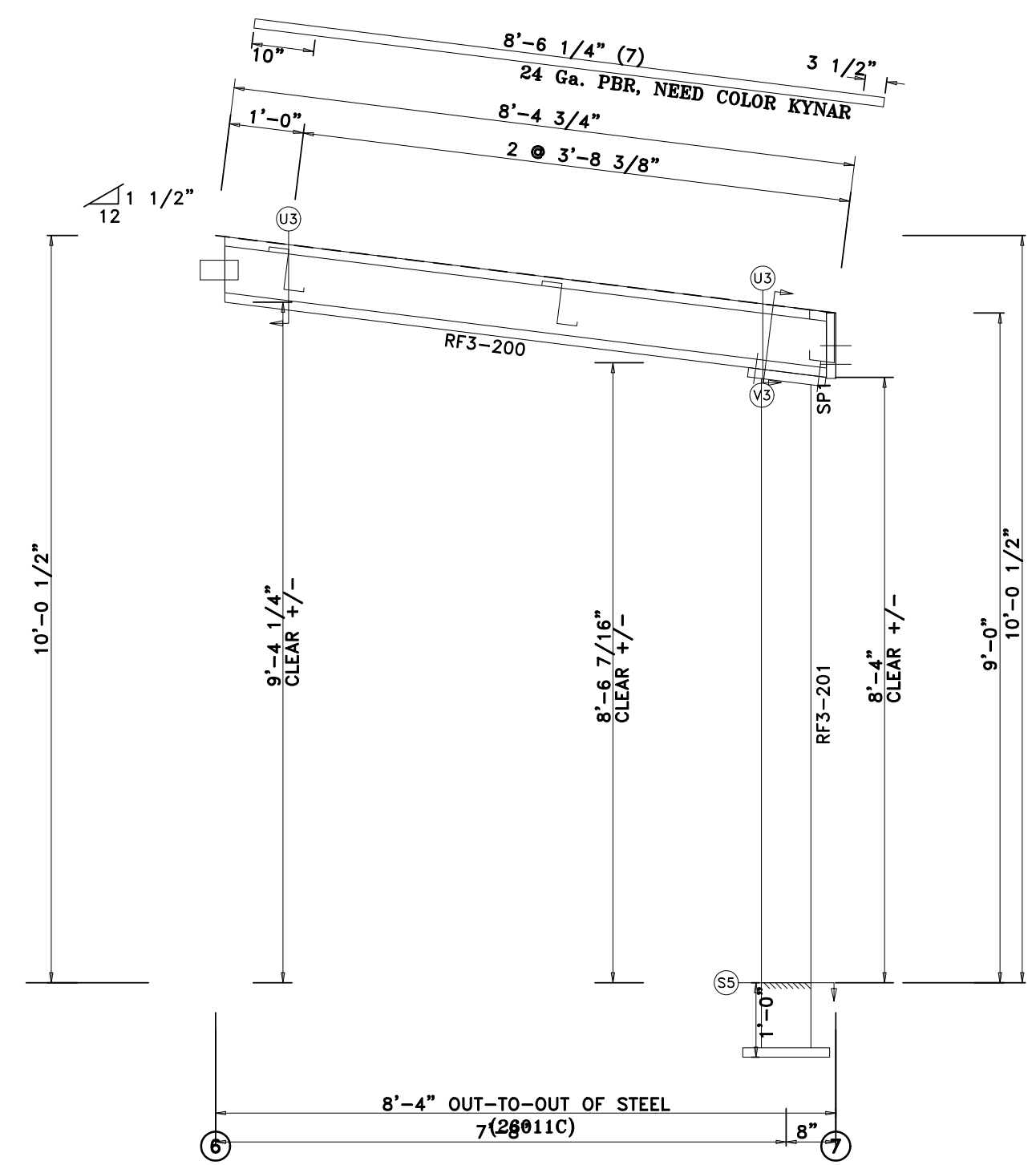
SPLICE PLATE & BOLT TABLE										CAP PLATE BOLTS				
Mark	Qty Top	Qty Bot	Int	Type	Dia	Length	Width	Thick	Length	Mark	Qty	Type	Dia	Length
SP1	4	0	0	A325	5/8"	1 1/4"	6"	3/8"	8"	RF3-201	4	A325	1/2"	1 1/2"
SP2	4	0	0	A325	5/8"	1 1/4"	6"	3/8"	7 1/2"					



RIGID FRAME SECTION: FRAME LINE B



RIGID FRAME SECTION: FRAME LINE C



RIGID FRAME SECTION: FRAME LINE E

MARK	MEMBER	LENGTH
RF1-200	WBX13	8'-3 1/4"
RF1-201	HS4x43	9'-5 3/16"

MARK	MEMBER	LENGTH
RF2-200	WBX13	8'-3 1/4"
RF2-201	HS4x43	9'-5 3/16"

MARK	MEMBER	LENGTH
RF3-200	WBX13	8'-3 1/4"
RF3-201	HS4x43	9'-5 3/16"

APPROVAL DRAWINGS

APPROVED AS DRAWN
 APPROVED AS NOTED
 NOT APPROVED

____ INITIAL

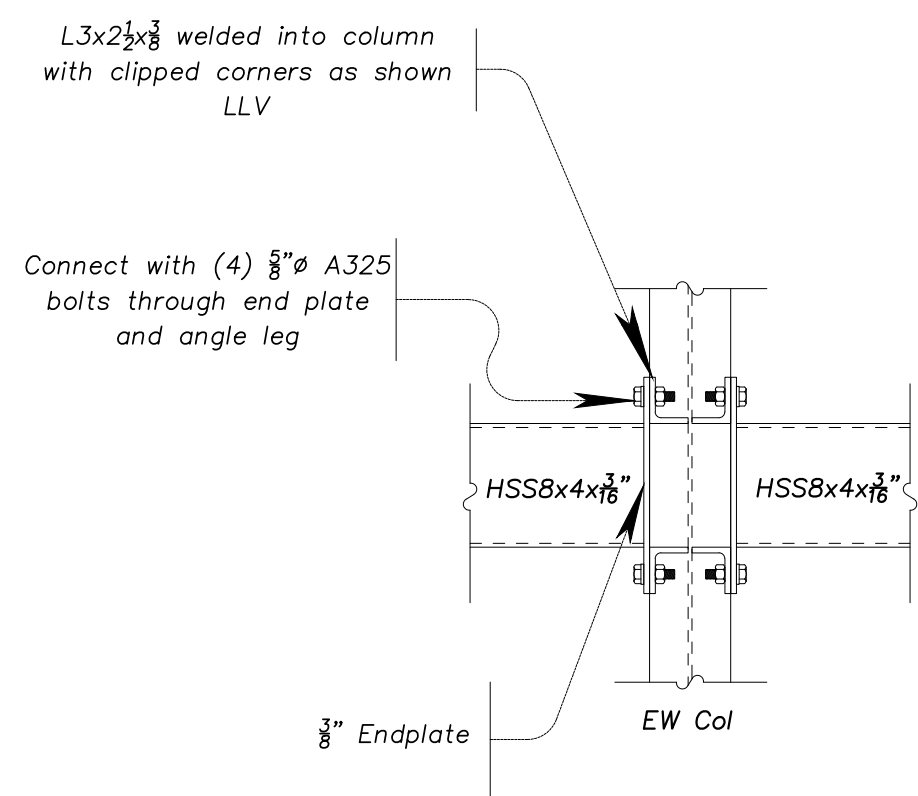
Please Check And Approve All Dimensions
 And Conditions. STANDARD STRUCTURES
 Must Be Notified Of Any Changes.

SSI STANDARD STRUCTURES INC.
 MANUFACTURER OF METAL BUILDINGS & COMPONENTS
 P.O. BOX 1912
 ODESSA, TX. 79760
 1-800-240-0335

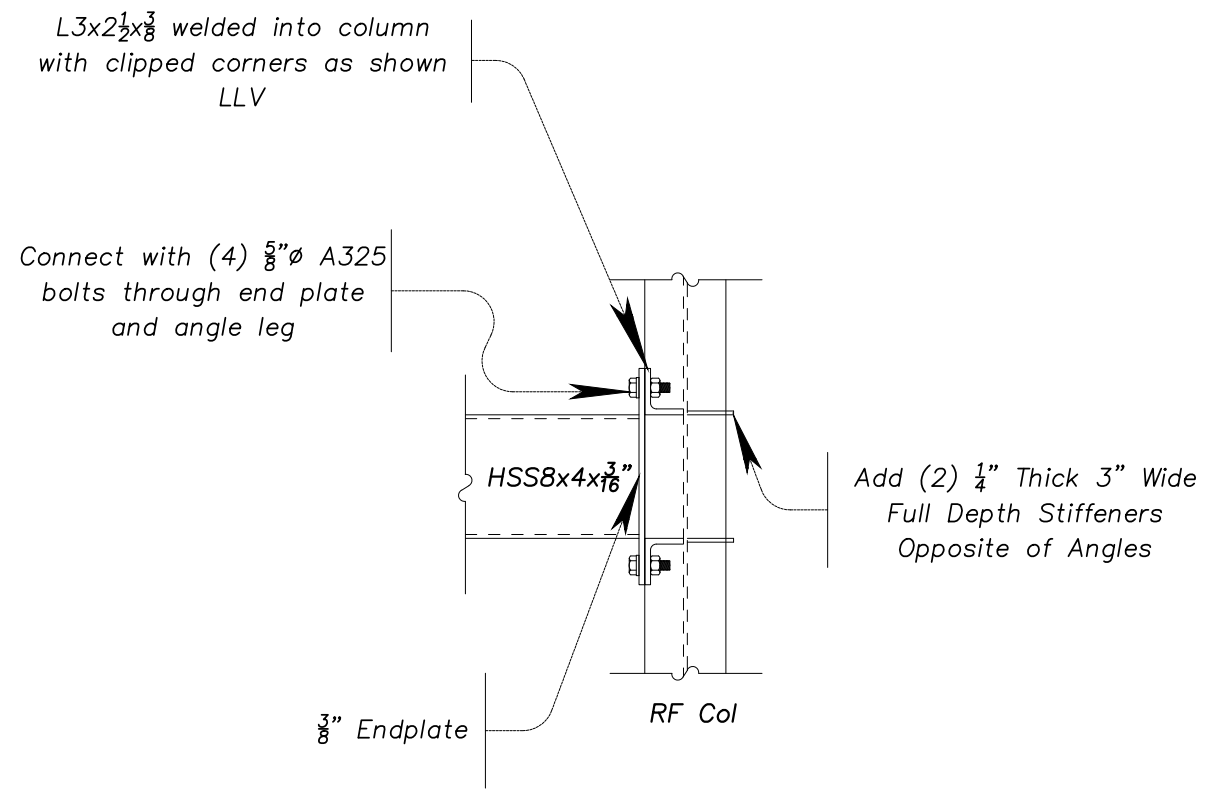
IAS
 ACCREDITED™
 Metal Building Systems
 AC 472

APPROVAL & PERMIT

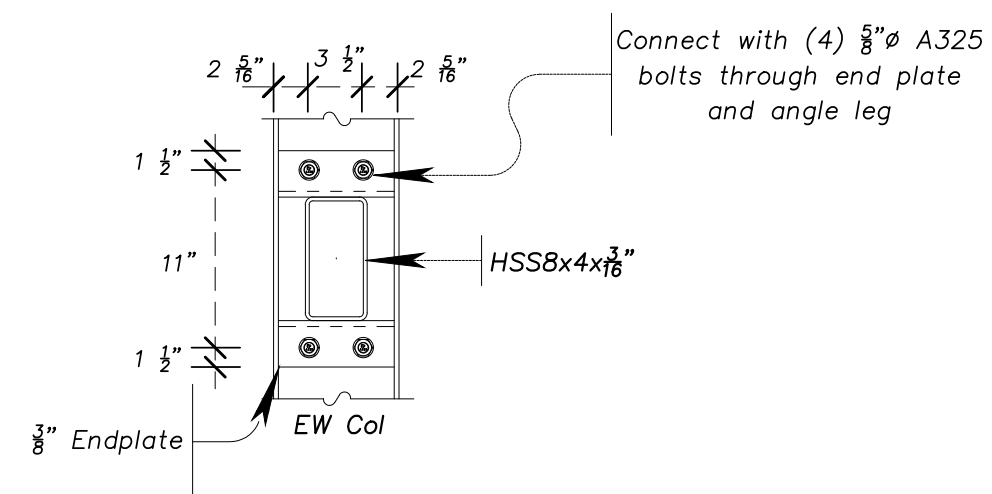
JOB NAME: Collier Construction
 PROJECT NAME: Howard College-SB Fieldhouse
 JOB LOCATION: Big Spring/TX/79720
 DRAWING TITLE: RIGID FRAME SECTION
 DATE: 3/ 1/26 DET: _____ JOB NO.: 26011 PG.: E-17



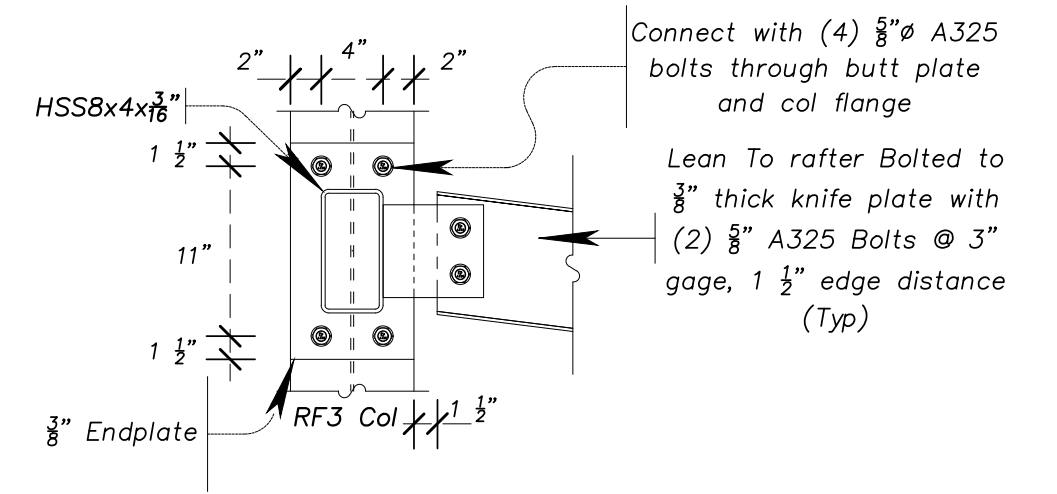
Jack Beam Connections at Endwall Columns



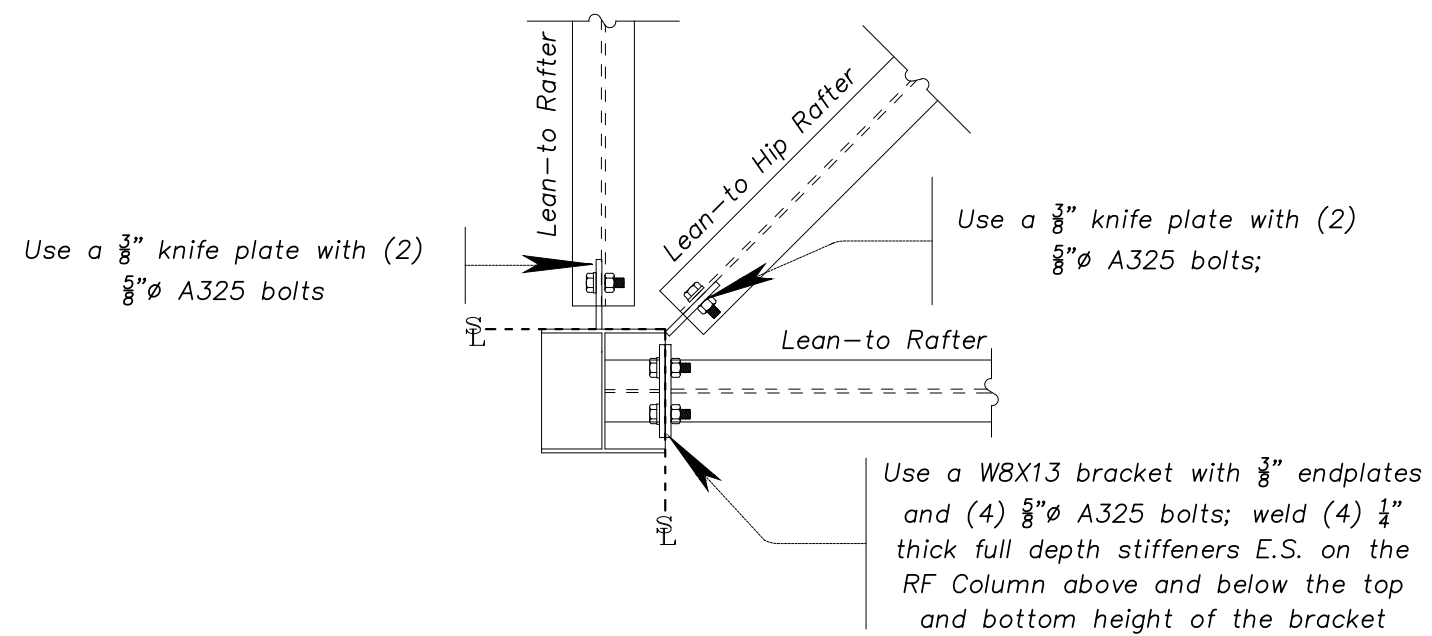
Jack Beam Connections at RF Columns



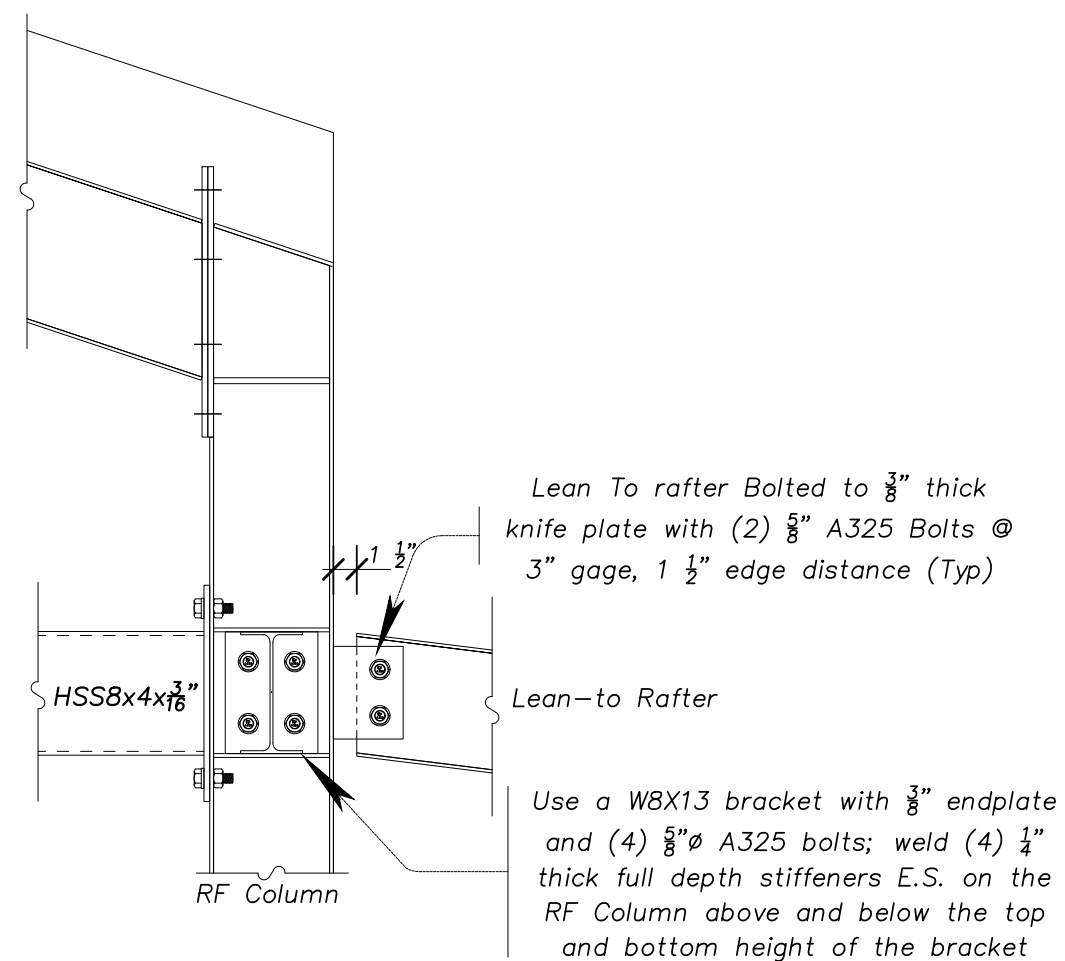
Jack Beam Connections at Endwall Columns



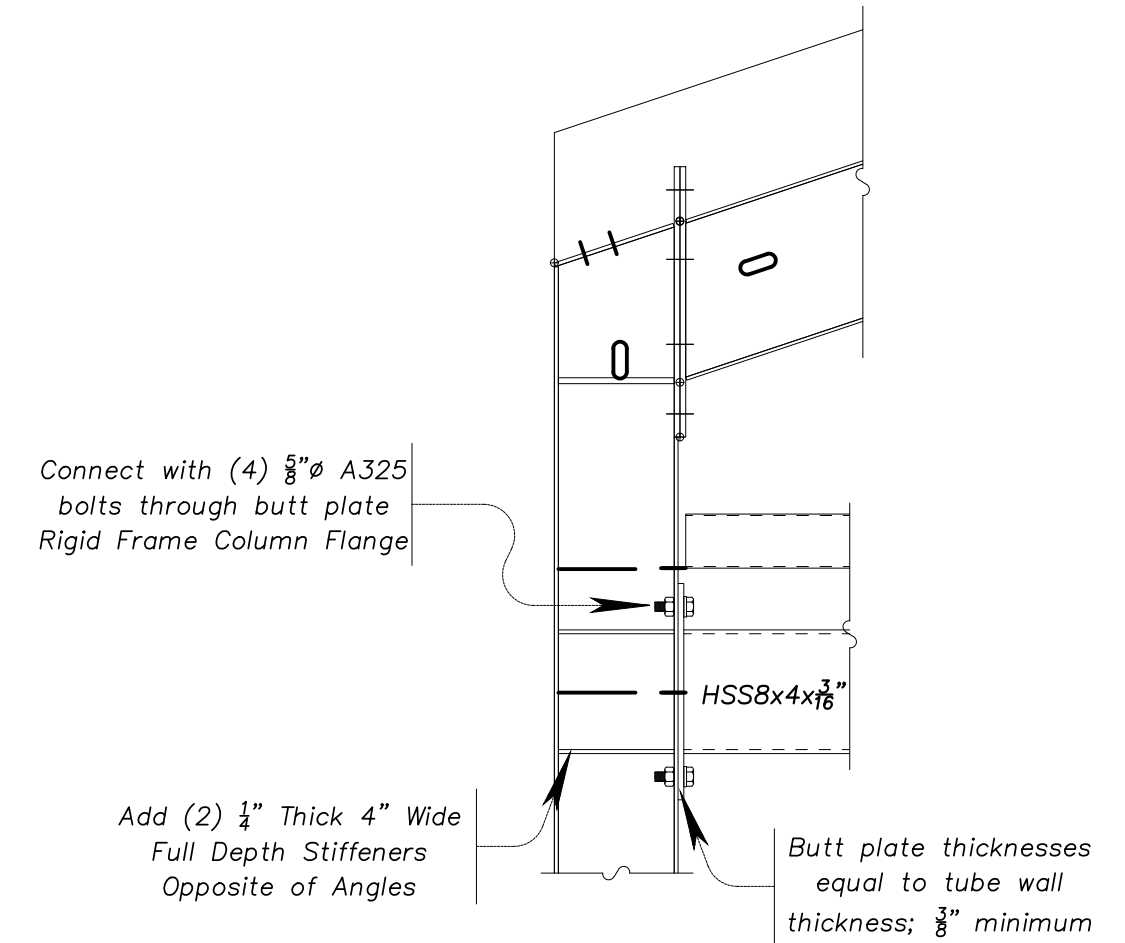
Jack Beam Connections at RF Columns



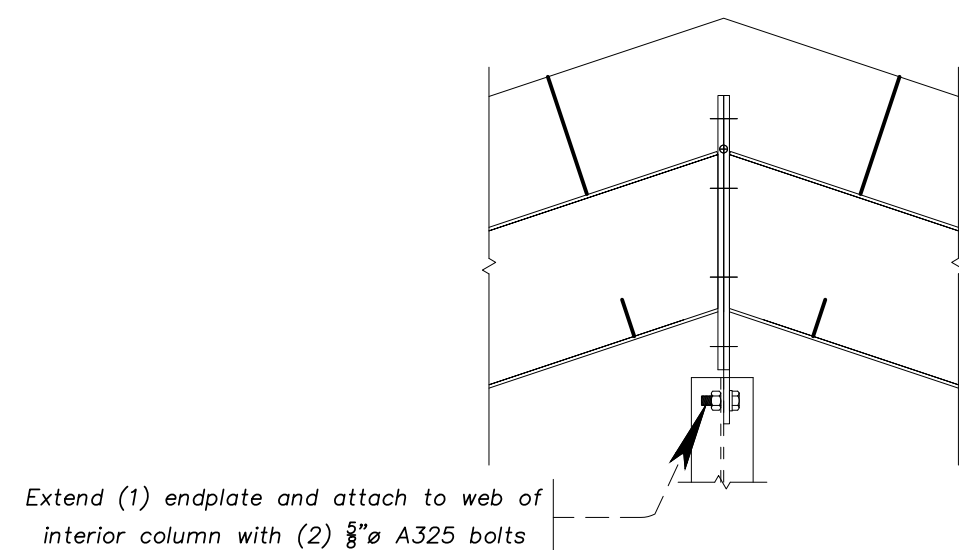
Hip Framing Connection Detail



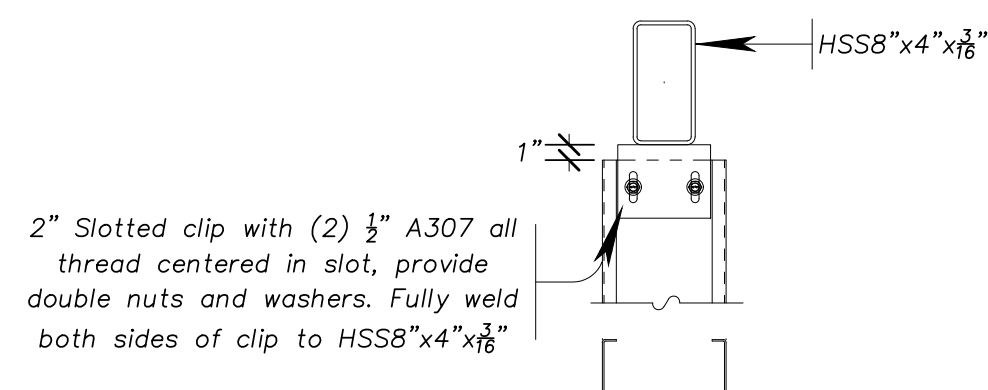
Hip Framing Connection Detail



Jack Beam Connections at RF Columns



Interior Column Connection Detail



Jamb to Jack Beam Slotted Connection

APPROVAL DRAWINGS

- APPROVED AS DRAWN
- APPROVED AS NOTED
- NOT APPROVED

____ INITIAL

Please Check And Approve All Dimensions And Conditions. STANDARD STRUCTURES Must Be Notified Of Any Changes.

SSI STANDARD STRUCTURES INC.
MANUFACTURER OF METAL BUILDINGS & COMPONENTS
P.O. BOX 1912
ODESSA, TX. 79760
1-800-240-0335



ACCREDITED™
Metal Building Systems
AC 472

APPROVAL & PERMIT

JOB NAME: Collier Construction
PROJECT NAME: Howard College-SB Fieldhouse
JOB LOCATION: Big Spring/TX/79720

DRAWING TITLE: **DETAIL DRAWINGS**

DATE: 3/ 1/26 DET: _____ JOB NO.: 26011 PG.: E-18