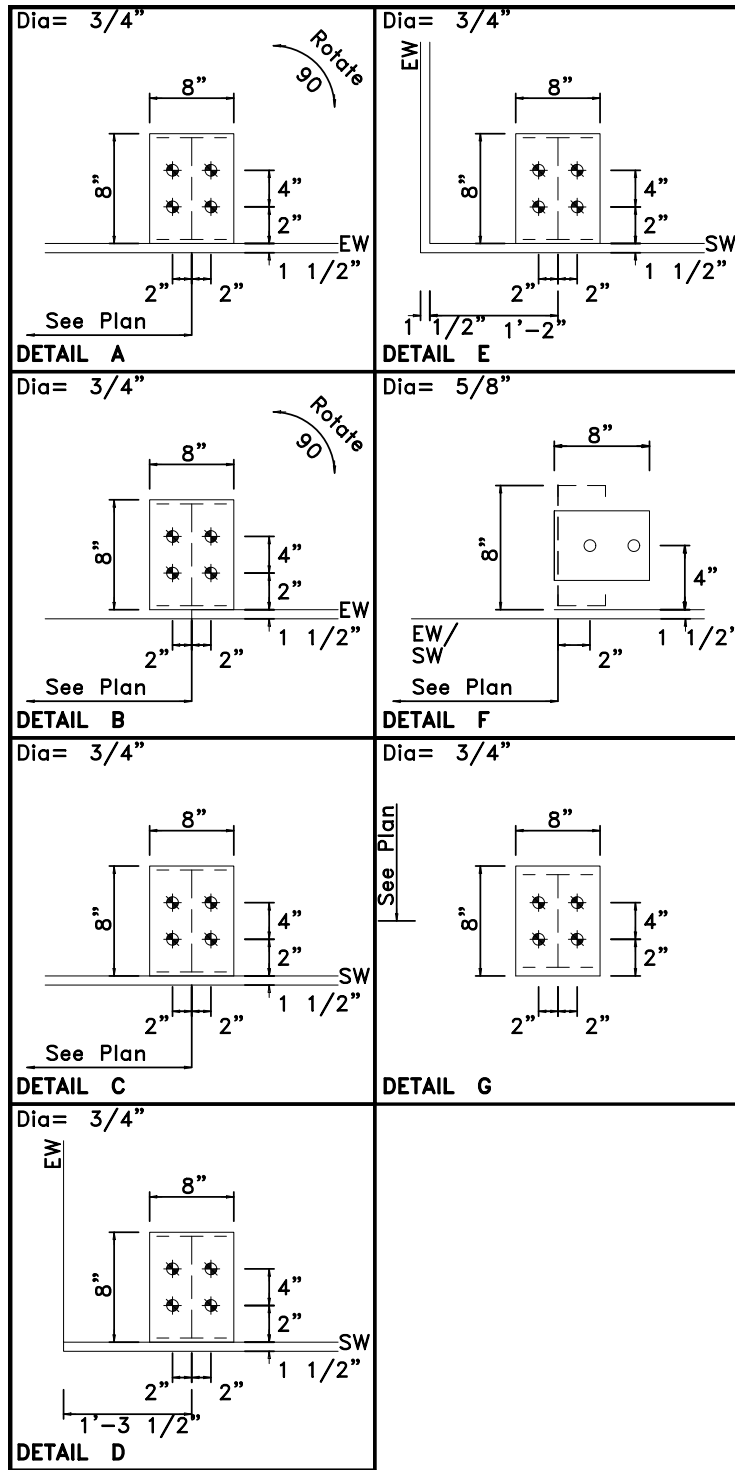


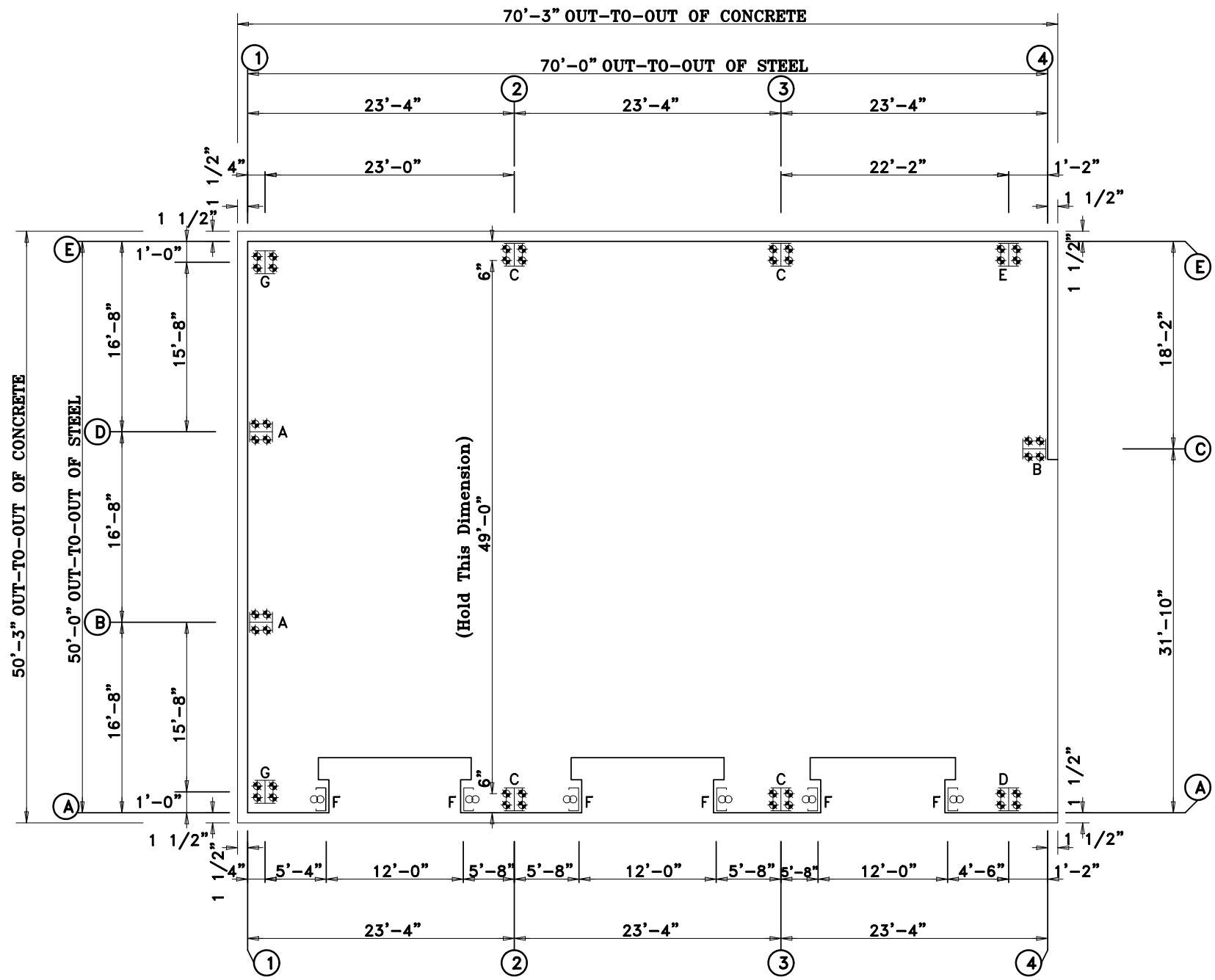
Standard Structures, Inc.

Job# 26013  
Final Design

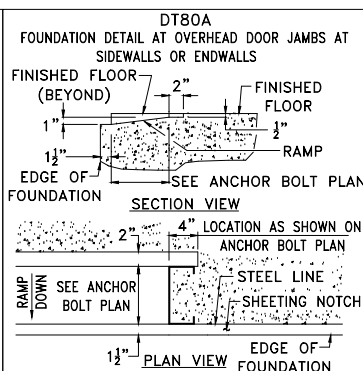
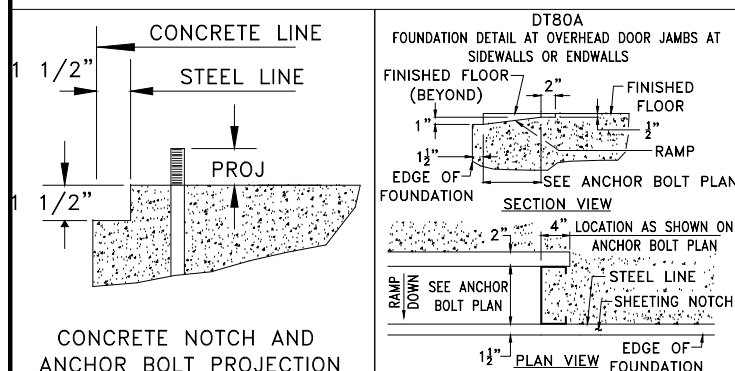


**ANCHOR BOLT SUMMARY**

Qty	Locate	Dia (in)	Type	Proj (in)
12	Jamb	5/8"	A307	1.50
12	Endwall	3/4"	A307	2.00
32	Frame	3/4"	A307	2.00



**ANCHOR BOLT PLAN**  
NOTE: All Base Plates @ 100'-0" (U.N.)



**APPROVAL DRAWINGS**

- APPROVED AS DRAWN
  - APPROVED AS NOTED
  - NOT APPROVED
- \_\_\_\_ INITIAL

Please Check And Approve All Dimensions And Conditions. **STANDARD STRUCTURES** Must Be Notified Of Any Changes.

**SSI** STANDARD STRUCTURES INC.  
MANUFACTURER OF METAL BUILDINGS & COMPONENTS  
P.O. BOX 1912  
ODESSA, TX. 79760  
1-800-240-0335



**APPROVAL & PERMIT**

JOB NAME: Cozart Metal Building Systems			
PROJECT NAME: Morton Jefferies			
JOB LOCATION: Baird, Texas 79504			
DRAWING TITLE: ANCHOR BOLT PLAN			
DATE: 3/16/26	DET:	JOB NO.: 26013	PG.: E-1

**NOTES FOR REACTIONS**

Building reactions are based on the following building data:  
 Width (ft) = 50.0  
 Length (ft) = 70.0  
 Eave Height (ft) = 16.0 / 16.0  
 Roof Slope (rise/12) = 6.00 / 6.00  
 Roof Dead Load (psf) = 2.5  
 Roof Live Load (psf) = 20.0  
 Frame Live Load (psf) = 12.0  
 Collateral Load (psf) = 3.0  
 Snow Load (psf) = 3.5  
 Wind Speed (mph) = 107.0  
 Wind Code = 2018 IBC  
 Exposure = C  
 Closure = Enclosed  
 Internal Wind Coeff = -0.18, +0.18  
 Risk Category = II - Normal  
 Importance - Seismic = 1.00  
 Seismic Design Category = A

**BUILDING BRACING REACTIONS**

Wall Loc	Line	Col Line	± Reactions(k )				Panel Shear (lb/ft)		Note
			0.6Wind Horz	0.6Wind Vert	Seismic Horz	Seismic Vert	Wind	Seis	
L_EW	1	(h)	Rigid frame at endwall						
F_SW	A	2,3	1.3	1.7	0.1	0.1			(b)
R_EW	4	(h)	Rigid frame at endwall						
B_SW	E	2,3	1.3	1.7	0.1	0.1			(b)

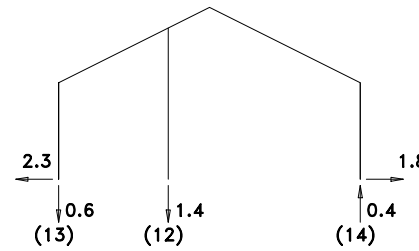
(b) Wind bent in bay, base above finish floor  
 Reactions for seismic represent shear force, Eh

**RIGID FRAME REACTIONS (k )**

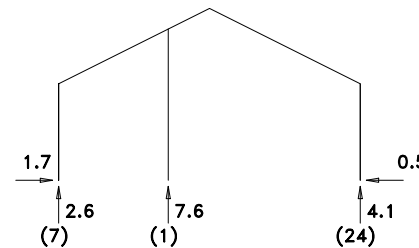
⊙ 4

E C A

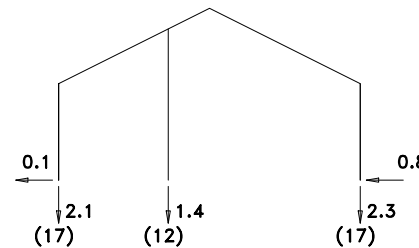
Max Horizontal



Max +Vertical



Max -Vertical



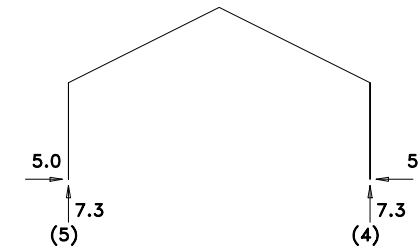
- (1) Dead+Collateral+Live
- (7) Dead+Collateral+0.75Live+0.45Wind\_Right2
- (12) 0.6Dead+0.6Wind\_Right1
- (13) 0.6Dead+0.6Wind\_Left2
- (14) 0.6Dead+0.6Wind\_Right2
- (17) 0.6Dead+0.6Wind\_Long2L
- (24) Dead+Collateral+F3PAT\_LL\_2

**RIGID FRAME REACTIONS (k )**

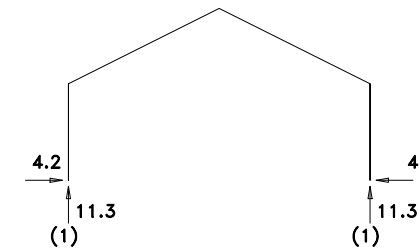
⊙ 2 3

E A

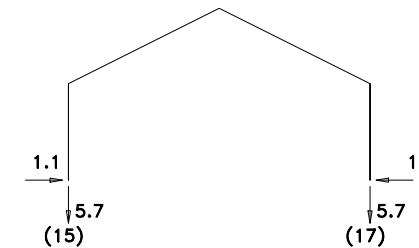
Max Horizontal



Max +Vertical



Max -Vertical



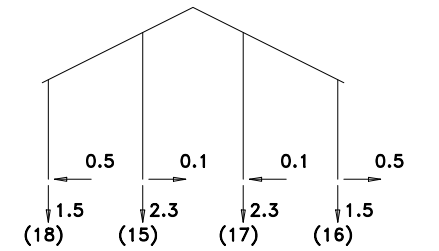
- (1) Dead+Collateral+Live
- (4) Dead+Collateral+0.75Live+0.45Wind\_Left1
- (5) Dead+Collateral+0.75Live+0.45Wind\_Right1
- (15) 0.6Dead+0.6Wind\_Long1L
- (17) 0.6Dead+0.6Wind\_Long2L

**RIGID FRAME REACTIONS (k )**

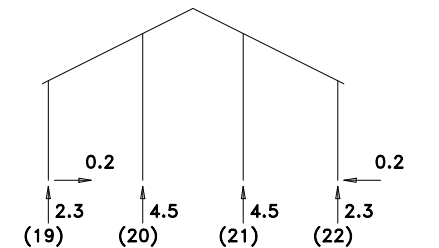
⊙ 1

E D B A

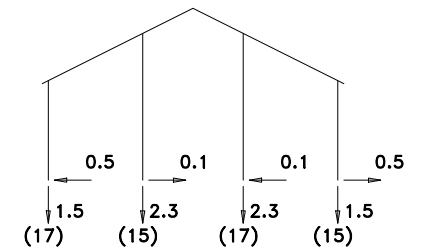
Max Horizontal



Max +Vertical



Max -Vertical



- (15) 0.6Dead+0.6Wind\_Long1L
- (16) 0.6Dead+0.6Wind\_Long1R
- (17) 0.6Dead+0.6Wind\_Long2L
- (18) 0.6Dead+0.6Wind\_Long2R
- (19) Dead+Collateral+F1PAT\_LL\_1
- (20) Dead+Collateral+F1PAT\_LL\_2
- (21) Dead+Collateral+F1PAT\_LL\_3
- (22) Dead+Collateral+F1PAT\_LL\_4

**APPROVAL DRAWINGS**

- APPROVED AS DRAWN
- APPROVED AS NOTED
- NOT APPROVED

\_\_\_\_ INITIAL

Please Check And Approve All Dimensions And Conditions. STANDARD STRUCTURES Must Be Notified Of Any Changes.

**SSI** STANDARD STRUCTURES INC.  
 MANUFACTURER OF METAL BUILDINGS & COMPONENTS

P.O. BOX 1912  
 ODESSA, TX. 79760  
 1-800-240-0335



ACCREDITED™  
 Metal Building Systems  
 AC 472

**APPROVAL & PERMIT**

JOB NAME: Cozart Metal Building Systems

PROJECT NAME: Morton Jefferies

JOB LOCATION: Baird, Texas 79504

DRAWING TITLE: ANCHOR BOLT REACTIONS

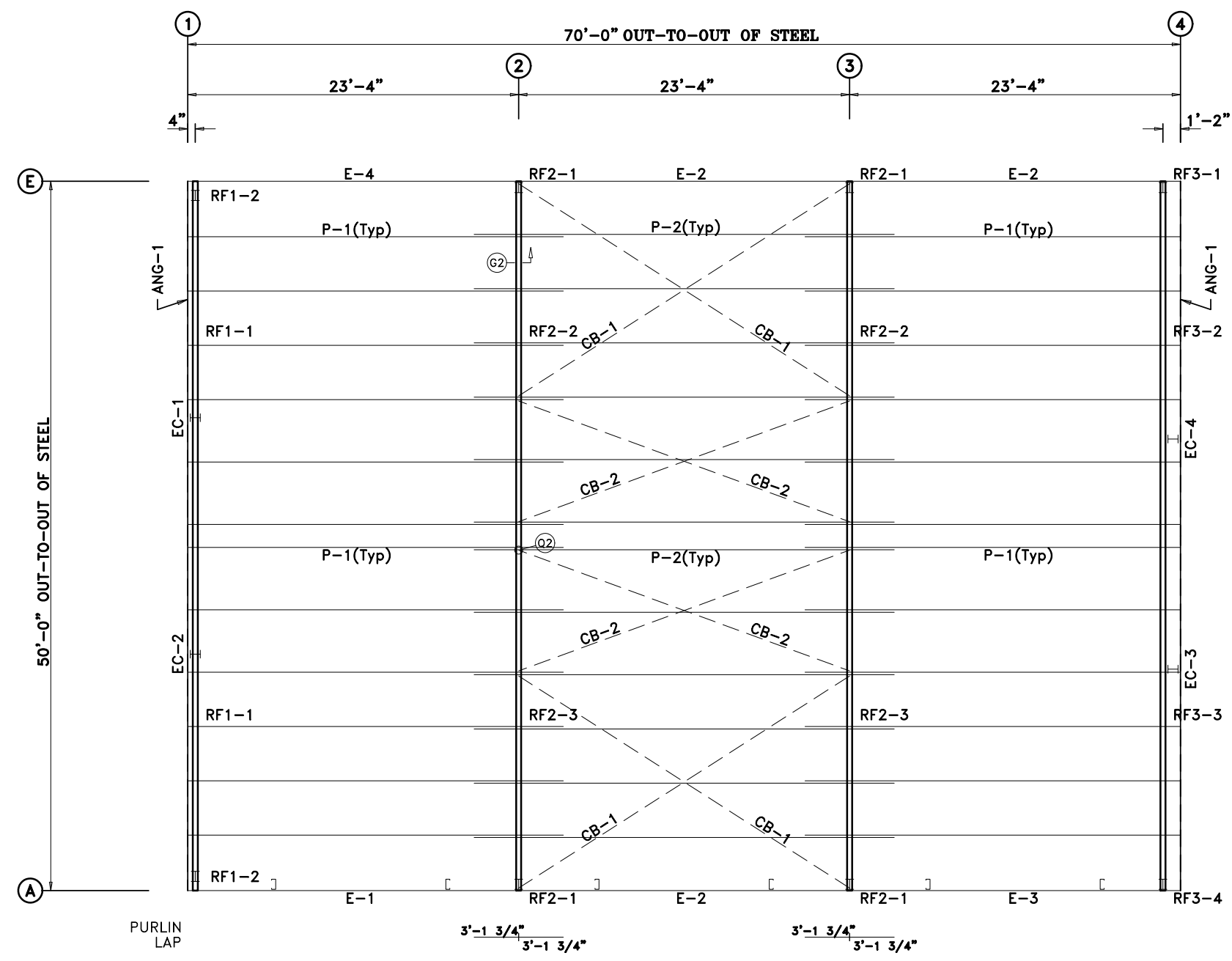
DATE: 3/16/26

DET:

JOB NO.: 26013

PG.: E-2

MEMBER TABLE			
ROOF PLAN			
QUAN	MARK	PART	LENGTH
24	P-1	8x25Z16	26'-5 1/2"
12	P-2	8x25Z16	29'-7 1/2"
1	E-1	86LEDS14	23'-3 1/2"
3	E-2	86LEDS14	23'-3 1/2"
1	E-3	86LEDS14	23'-3 1/2"
1	E-4	86LEDS14	23'-3 1/2"
4	CB-1	1/4_CBL	26'-8"
4	CB-2	1/4_CBL	23'-5"



ROOF FRAMING PLAN

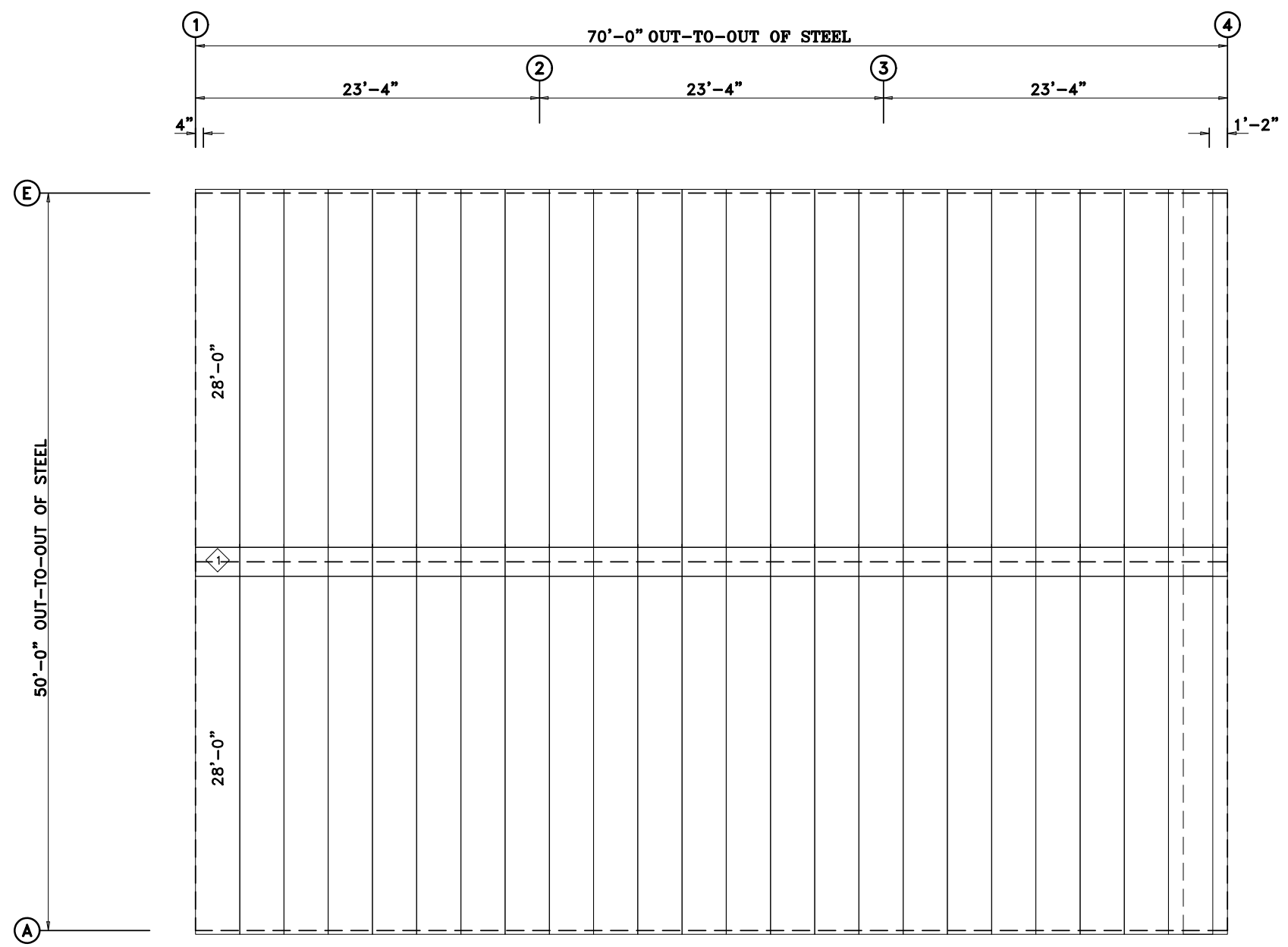
APPROVAL DRAWINGS	
<input type="checkbox"/>	APPROVED AS DRAWN
<input type="checkbox"/>	APPROVED AS NOTED
<input type="checkbox"/>	NOT APPROVED
____ INITIAL	
Please Check And Approve All Dimensions And Conditions. STANDARD STRUCTURES Must Be Notified Of Any Changes.	

**SSI** STANDARD STRUCTURES INC.  
 MANUFACTURER OF METAL BUILDINGS & COMPONENTS  
 P.O. BOX 1912  
 ODESSA, TX. 79760  
 1-800-240-0335

**IAS**  
 ACCREDITED™  
 Metal Building Systems  
 AC 472

APPROVAL & PERMIT			
JOB NAME: Cozart Metal Building Systems			
PROJECT NAME: Morton Jefferies			
JOB LOCATION: Baird, Texas 79504			
DRAWING TITLE: ROOF FRAMING			
DATE: 3/16/26	DET:	JOB NO.: 26013	PG.: E-3

TRIM TABLE				
ROOF PLAN				
◇ ID	QUAN	PART	LENGTH	DETAIL
1	24	PEAK 26R	3'-0"	TRIM #1



**ROOF SHEETING PLAN**  
**PANELS: 26 Ga. PBR - Fern Green**

APPROVAL DRAWINGS	
<input type="checkbox"/>	APPROVED AS DRAWN
<input type="checkbox"/>	APPROVED AS NOTED
<input type="checkbox"/>	NOT APPROVED
____ INITIAL	
Please Check And Approve All Dimensions And Conditions. <b>STANDARD STRUCTURES</b> Must Be Notified Of Any Changes.	

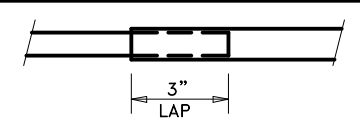


**SSI** STANDARD STRUCTURES INC.  
 MANUFACTURER OF METAL BUILDINGS & COMPONENTS  
 P.O. BOX 1912  
 ODESSA, TX. 79760  
 1-800-240-0335

**IAS**  
 ACCREDITED™  
 Metal Building Systems  
 AC 472

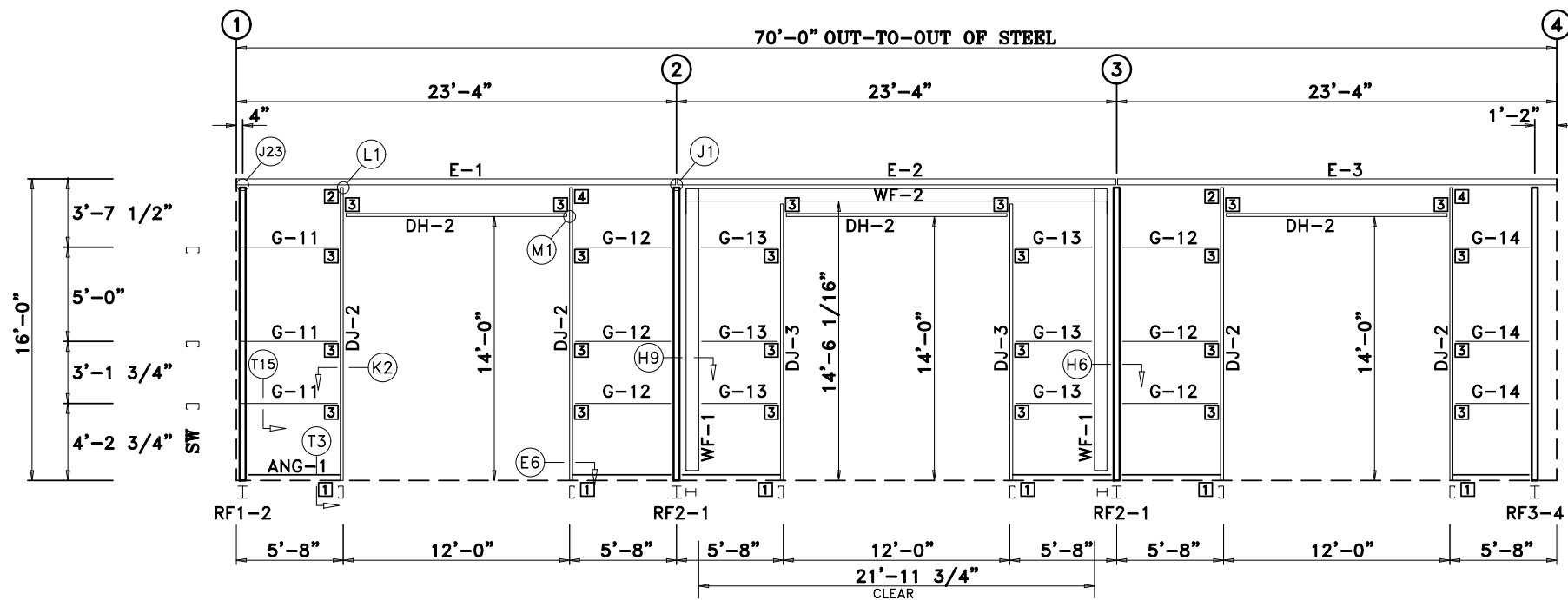
**APPROVAL & PERMIT**

JOB NAME: Cozart Metal Building Systems			
PROJECT NAME: Morton Jefferies			
JOB LOCATION: Baird, Texas 79504			
DRAWING TITLE: <i>ROOF SHEETING</i>			
DATE: 3/16/26	DET:	JOB NO.: 26013	PG.: E-4

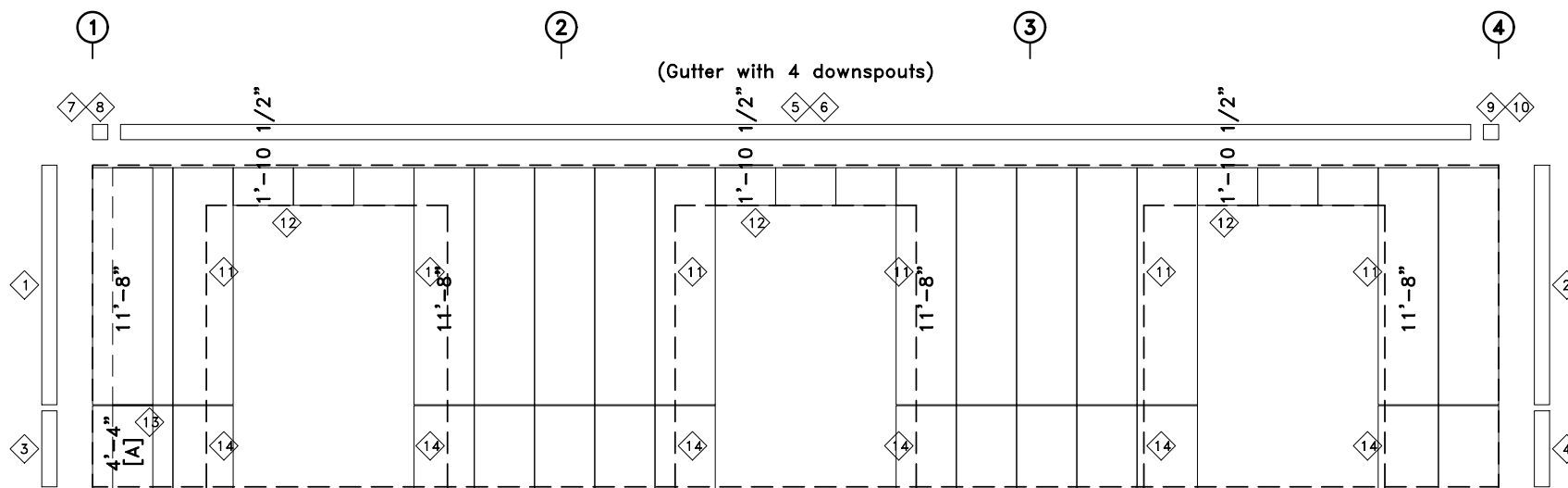


**ALL TRIM LAPS ARE TO BE 3" LONG**

NOTE: If Trim Lap Is More Than 3" Long, The Trim May Not Cover The Required Coverage Length.



**SIDEWALL FRAMING: FRAME LINE A**



**SIDEWALL SHEETING & TRIM: FRAME LINE A**

PANELS: 26 Ga. PBR - Light Stone  
 [A] PANELS: 26 Ga. PBR - Fern Green

TRIM TABLE				
FRAME LINE A				
ID	QUAN	PART	LENGTH	DETAIL
1	1	CRNTR243	12'-0"	TRIM #2
2	1	JMBTR243	11'-11"	TRIM #2
3	1	CRNTR243	4'-2"	TRIM #2
4	1	JMBTR243	4'-1"	TRIM #2
5	3	GUTT243	23'-6"	TRIM #5
6	7	BACKSPLS	10'-3"	
7	1	SGUTENDL	6"	
8	1	SCRNBX-L	6"	TRIM #16
9	1	SGUTENDR	6"	TRIM #16
10	1	SCRNBX-R	6"	TRIM #16
11	6	JMBTR243	10'-1"	TRIM #6
12	3	HEADR243	12'-4"	TRIM #8
13	6	WT-1	10'-3"	
14	6	JMBTR243	4'-3"	TRIM #6

BOLT TABLE				
FRAME LINE A				
LOCATION	QUAN	TYPE	DIA	LENGTH
WF-1 - WF-2	6	A325	3/4"	2 1/4"
WF-1 - RF2-1	4	A325	3/4"	1 1/2"

MEMBER TABLE				
FRAME LINE A				
QUAN	MARK	PART	LENGTH	
2	WF-1	W08663	14'-7 11/16"	
1	WF-2	W08663	21'-11 1/4"	
4	DJ-2	8x35C16	15'-2 13/16"	
2	DJ-3	8x35C16	14'-5 13/16"	
3	DH-2	8x35C16	12'-0"	
1	E-1	86LEDS14	23'-3 1/2"	
1	E-2	86LEDS14	23'-3 1/2"	
1	E-3	86LEDS14	23'-3 1/2"	
3	G-11	8x35C16	5'-0"	
6	G-12	8x35C16	5'-1"	
6	G-13	8x35C16	4'-7 5/8"	
3	G-14	8x35C16	3'-10 3/4"	

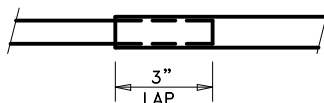
CONNECTION PLATES				
FRAME LINE A				
ID	QUAN	MARK/PART		
1	6	C-104		
2	2	e1		
3	24	C-5		
4	2	e2		

**APPROVAL DRAWINGS**

- APPROVED AS DRAWN
- APPROVED AS NOTED
- NOT APPROVED

\_\_\_\_ INITIAL

Please Check And Approve All Dimensions  
 And Conditions. STANDARD STRUCTURES  
 Must Be Notified Of Any Changes.



**ALL TRIM LAPS ARE TO BE 3" LONG**

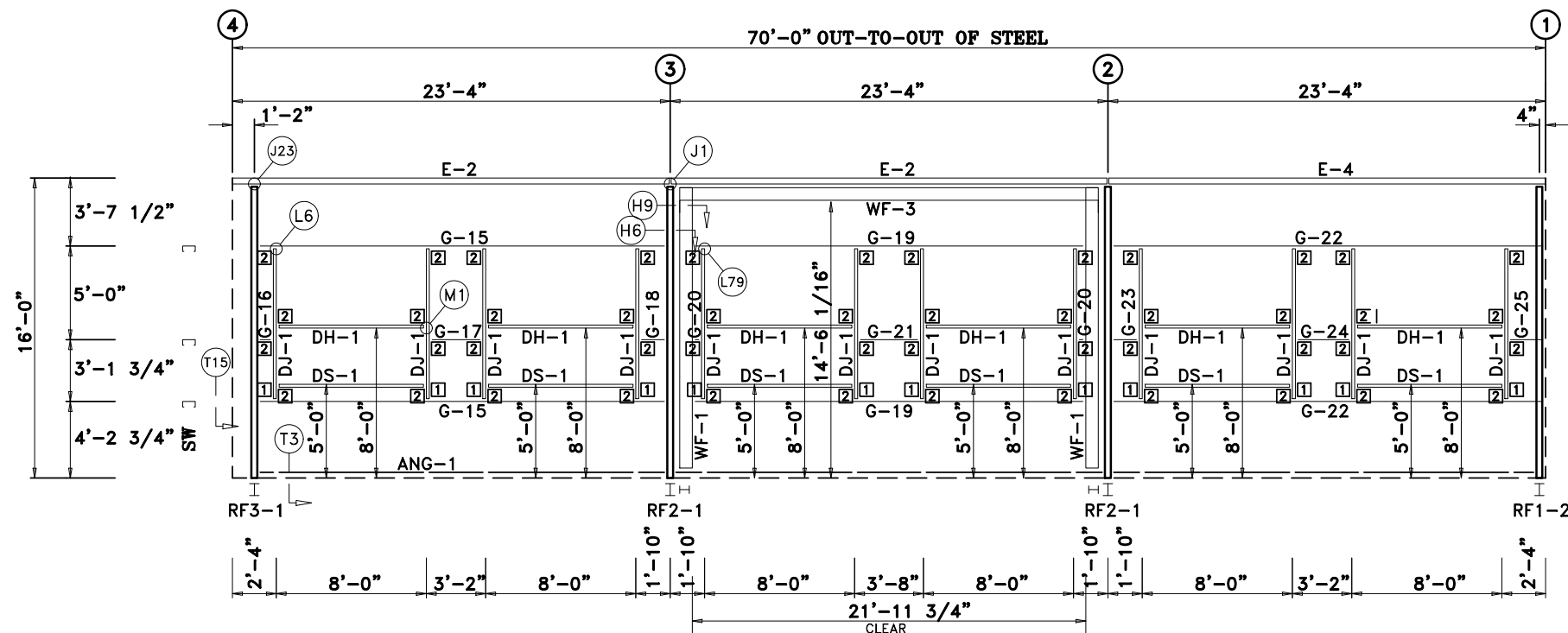
NOTE: If Trim Lap Is More Than 3" Long, The Trim May Not Cover The Required Coverage Length.

**SSI** STANDARD STRUCTURES INC.  
 MANUFACTURER OF METAL BUILDINGS & COMPONENTS  
 P.O. BOX 1912  
 ODESSA, TX. 79760  
 1-800-240-0335

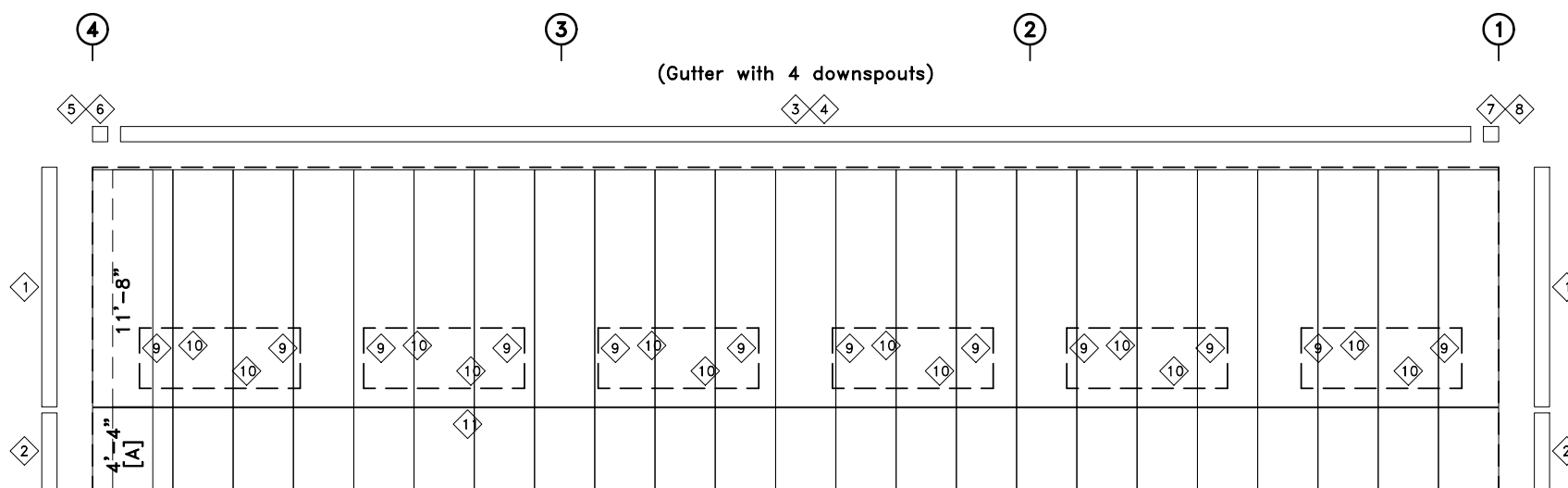
**IAS**  
 ACCREDITED™  
 Metal Building Systems  
 AC 472

**APPROVAL & PERMIT**

JOB NAME: Cozart Metal Building Systems
PROJECT NAME: Morton Jefferies
JOB LOCATION: Baird, Texas 79504
DRAWING TITLE: <i>SIDEWALL DRAWING</i>
DATE: 3/16/26
DET:
JOB NO.: 26013
PG.: E-5



**SIDEWALL FRAMING: FRAME LINE E**



**SIDEWALL SHEETING & TRIM: FRAME LINE E**

PANELS: 26 Ga. PBR - Light Stone  
 [A] PANELS: 26 Ga. PBR - Fern Green

TRIM TABLE				
FRAME LINE E				
ID	QUAN	PART	LENGTH	DETAIL
1	2	CRNTR243	12'-0"	TRIM #2
2	2	CRNTR243	4'-2"	TRIM #2
3	3	GUTT243	23'-6"	TRIM #5
4	7	BACKSPLS	10'-3"	
5	1	SGUTENDL	6"	
6	1	SCRNBX-L	6"	TRIM #16
7	1	SGUTENDR	6"	TRIM #16
8	1	SCRNBX-R	6"	TRIM #16
9	12	JMBTR243	3'-4"	TRIM #6
10	12	HEADR243	8'-4"	TRIM #8
11	7	WT-1	10'-3"	

BOLT TABLE				
FRAME LINE E				
LOCATION	QUAN	TYPE	DIA	LENGTH
WF-1 - WF-3	6	A325	3/4"	2 1/4"
WF-1 - RF2-1	4	A325	3/4"	1 1/2"

MEMBER TABLE				
FRAME LINE E				
QUAN	MARK	PART	LENGTH	
2	WF-1	W08663	14'-7 11/16"	
1	WF-3	W08663	21'-11 1/4"	
12	DJ-1	8x35C16	7'-8"	
6	DH-1	8x35C16	8'-0"	
6	DS-1	8x35C16	8'-0"	
2	E-2	86LEDS14	23'-3 1/2"	
1	E-4	86LEDS14	23'-3 1/2"	
2	G-15	8x35C14	21'-7 1/4"	
1	G-16	8x35C14	6 3/4"	
1	G-17	8x35C14	2'-6 1/2"	
1	G-18	8x35C14	1'-3"	
2	G-19	8x35C13	21'-10 3/4"	
2	G-20	8x35C13	9 5/8"	
1	G-21	8x35C13	3'-0 1/2"	
2	G-22	8x35C13	22'-8 1/2"	
1	G-23	8x35C13	1'-3"	
1	G-24	8x35C13	2'-6 1/2"	
1	G-25	8x35C13	1'-8"	

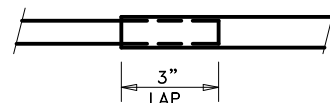
CONNECTION PLATES			
FRAME LINE E			
ID	QUAN	MARK/PART	
1	12	f1	
2	48	C-5	

**APPROVAL DRAWINGS**

- APPROVED AS DRAWN
- APPROVED AS NOTED
- NOT APPROVED

\_\_\_\_ INITIAL

Please Check And Approve All Dimensions  
 And Conditions. STANDARD STRUCTURES  
 Must Be Notified Of Any Changes.



**ALL TRIM LAPS ARE TO BE 3" LONG**

NOTE: If Trim Lap Is More Than 3" Long, The Trim May Not Cover The Required Coverage Length.

**SSI** STANDARD STRUCTURES INC.  
 MANUFACTURER OF METAL BUILDINGS & COMPONENTS

P.O. BOX 1912  
 ODESSA, TX. 79760  
 1-800-240-0335



ACCREDITED™  
 Metal Building Systems  
 AC 472

**APPROVAL & PERMIT**

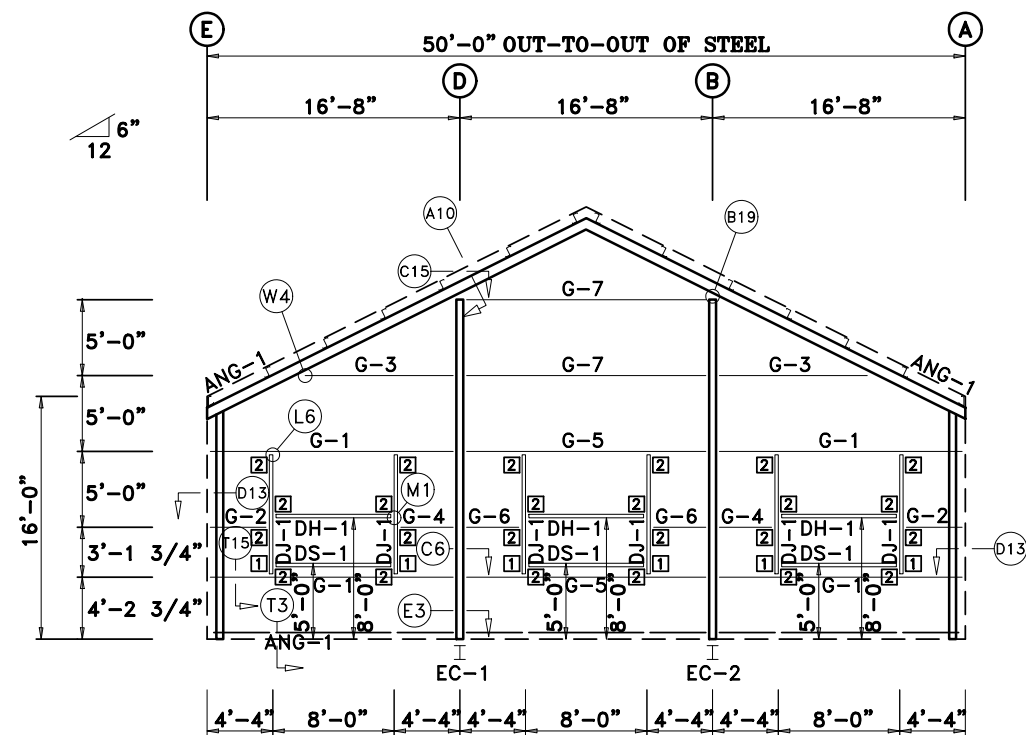
JOB NAME: Cozart Metal Building Systems  
 PROJECT NAME: Morton Jefferies  
 JOB LOCATION: Baird, Texas 79504  
 DRAWING TITLE: *SIDEWALL DRAWING*  
 DATE: 3/16/26 DET: JOB NO.: 26013 PG.: E-6

TRIM TABLE				
FRAME LINE 1				
ID	QUAN	PART	LENGTH	DETAIL
1	4	RAKER243	14'-5"	TRIM #3
2	1	PEAKBX-R	1'-2"	TRIM #15
3	6	JMBTR243	3'-4"	TRIM #6
4	6	HEADR243	8'-4"	TRIM #8
5	5	WT-1	10'-3"	

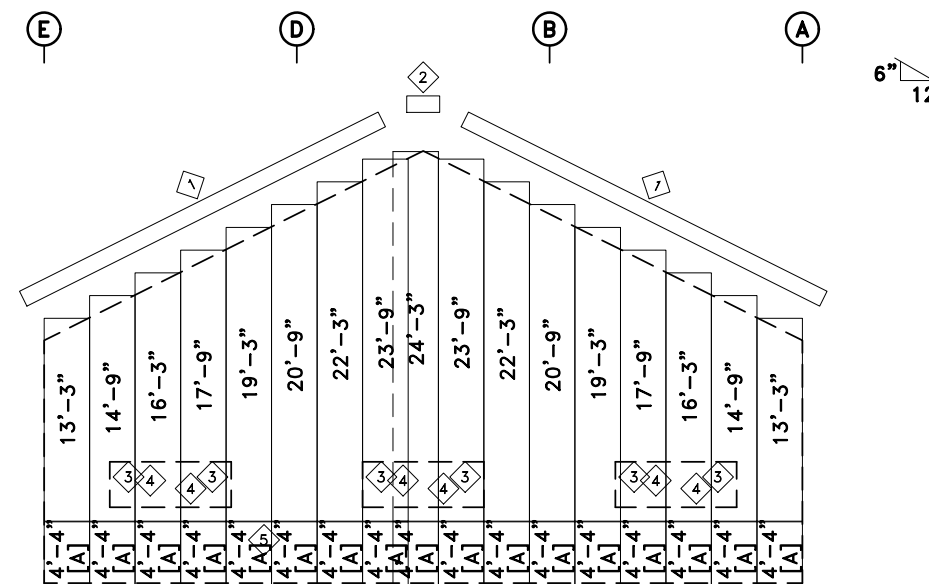
BOLT TABLE				
FRAME LINE 1				
LOCATION	QUAN	TYPE	DIA	LENGTH
Columns/Raf	4	A325	3/4"	1 3/4"

MEMBER TABLE				
FRAME LINE 1				
QUAN	MARK	PART	LENGTH	
1	EC-1	W8X24	22'-11 5/8"	
1	EC-2	W8X24	22'-11 5/8"	
6	DJ-1	8x35C16	7'-8"	
3	DH-1	8x35C16	8'-0"	
3	DS-1	8x35C16	8'-0"	
4	G-1	8x35C16	16'-4 1/4"	
2	G-2	8x35C16	4'-0"	
2	G-3	8x35C16	10'-3 1/4"	
2	G-4	8x35C16	3'-8 3/4"	
2	G-5	8x35C14	16'-1"	
2	G-6	8x35C14	3'-8 3/4"	
2	G-7	8x35C14	16'-1"	

CONNECTION PLATES			
FRAME LINE 1			
ID	QUAN	MARK/PART	
1	6	f1	
2	24	C-5	

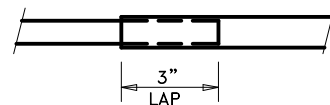


ENDWALL FRAMING: FRAME LINE 1



ENDWALL SHEETING & TRIM: FRAME LINE 1

PANELS: 26 Ga. PBR - Light Stone  
 [A] PANELS: 26 Ga. PBR - Fern Green



ALL TRIM LAPS ARE TO BE 3" LONG

NOTE: If Trim Lap Is More Than 3" Long, The Trim May Not Cover The Required Coverage Length.

### APPROVAL DRAWINGS

- APPROVED AS DRAWN
- APPROVED AS NOTED
- NOT APPROVED

\_\_\_\_ INITIAL

Please Check And Approve All Dimensions And Conditions. STANDARD STRUCTURES Must Be Notified Of Any Changes.

**SSI** STANDARD STRUCTURES INC.  
 MANUFACTURER OF METAL BUILDINGS & COMPONENTS

P.O. BOX 1912  
 ODESSA, TX. 79760  
 1-800-240-0335



ACCREDITED™  
 Metal Building Systems  
 AC 472

### APPROVAL & PERMIT

JOB NAME: Cozart Metal Building Systems

PROJECT NAME: Morton Jefferies

JOB LOCATION: Baird, Texas 79504

DRAWING TITLE: ENDWALL DRAWING

DATE: 3/16/26

DET:

JOB NO.: 26013

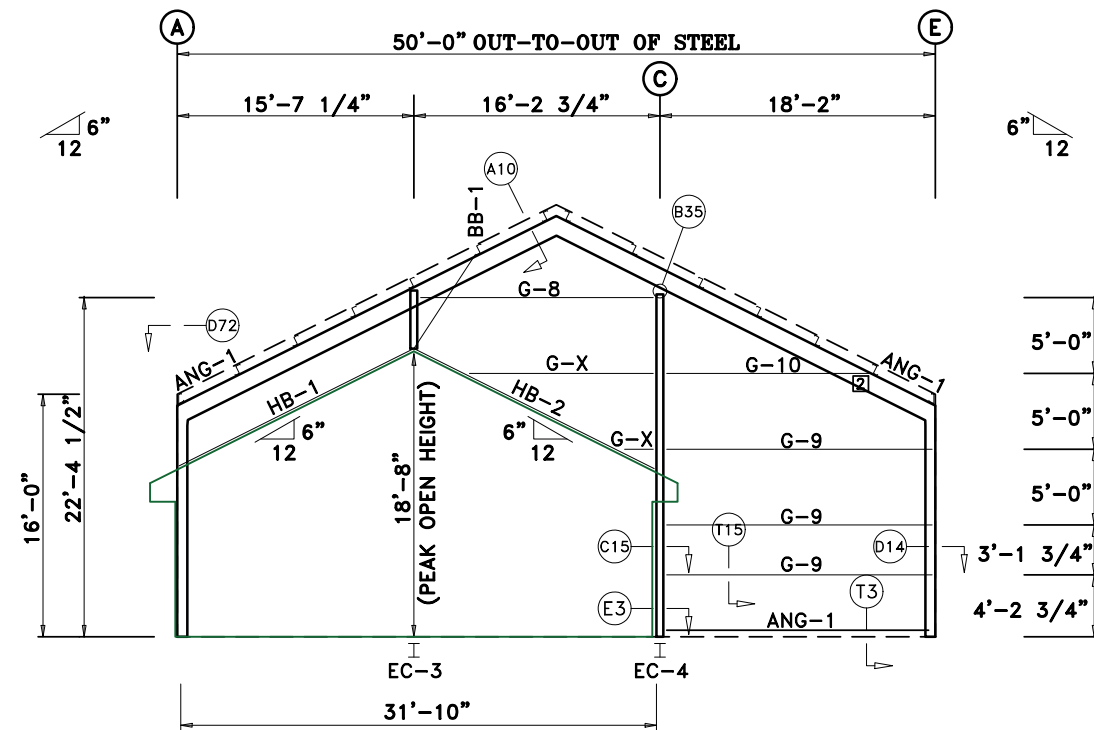
PG.: E-7

TRIM TABLE				
FRAME LINE 4				
ID	QUAN	PART	LENGTH	DETAIL
1	1	JMBTR243	4'-1"	
2	4	RAKER243	14'-5"	TRIM #3
3	1	PEAKBX-R	1'-2"	TRIM #15
4	2	WT-1	10'-3"	

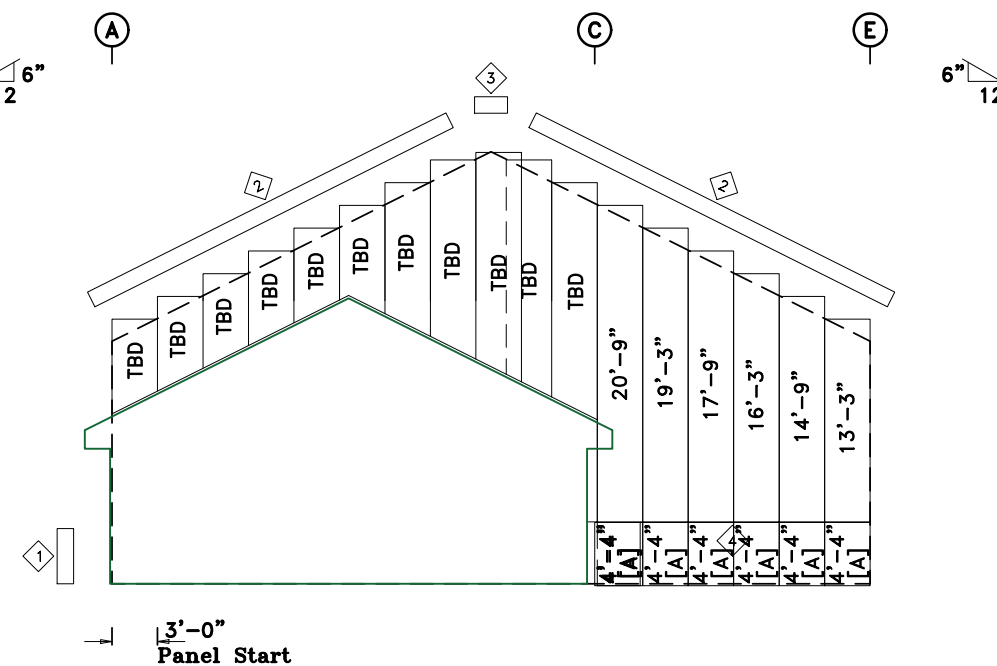
BOLT TABLE				
FRAME LINE 4				
LOCATION	QUAN	TYPE	DIA	LENGTH
EC-3/FRAME	8	A325	1/2"	1 1/4"
EC-4/FRAME	4	A325	3/4"	1 3/4"
Back Braces	1	A325	1/2"	1 1/4"

MEMBER TABLE				
FRAME LINE 4				
QUAN	MARK	PART	LENGTH	
1	HB-1	8x35C16	TBD	
1	HB-2	8x35C16	TBD	
1	BB-1	L3X3X3/16	TBD	
1	EC-3	W8X10	4'-1 5/16"	
1	EC-4	W8X24	23'-0 3/8"	
1	G-8	8x35C16	15'-9"	
1	G-9	8x35C16	17'-10 1/4"	
3	G-10	8x35C13	13'-7 5/8"	
2	G-X	8x35C16	TBD	

CONNECTION PLATES			
FRAME LINE 4			
ID	QUAN	MARK/PART	
1	1	n1	
2	3	d1	
3	2	r1	
4	1	f3	



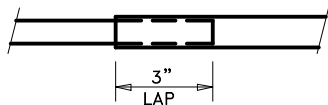
**ENDWALL FRAMING: FRAME LINE 4**



**ENDWALL SHEETING & TRIM: FRAME LINE 4**

PANELS: 26 Ga. PBR - Light Stone  
 [A] PANELS: 26 Ga. PBR - Fern Green

Note for approval:  
 Confirm required existing building framed opening dimensions. Current design accounts for 18'-8" opening height at peak and a 6:12 header slope.



**ALL TRIM LAPS ARE TO BE 3" LONG**

NOTE: If Trim Lap Is More Than 3" Long, The Trim May Not Cover The Required Coverage Length.

**APPROVAL DRAWINGS**

- APPROVED AS DRAWN
- APPROVED AS NOTED
- NOT APPROVED

\_\_\_\_ INITIAL

Please Check And Approve All Dimensions And Conditions. STANDARD STRUCTURES Must Be Notified Of Any Changes.

**SSI** STANDARD STRUCTURES INC.  
 MANUFACTURER OF METAL BUILDINGS & COMPONENTS  
 P.O. BOX 1912  
 ODESSA, TX. 79760  
 1-800-240-0335

**IAS**  
 ACCREDITED™  
 Metal Building Systems  
 AC 472

**APPROVAL & PERMIT**

JOB NAME: Cozart Metal Building Systems  
 PROJECT NAME: Morton Jefferies  
 JOB LOCATION: Baird, Texas 79504  
 DRAWING TITLE: *ENDWALL DRAWING*  
 DATE: 3/16/26 DET: JOB NO.: 26013 PG.: E-8

**SPLICE PLATE & BOLT TABLE**

Mark	Qty		Int	Type	Dia	Length	Width	Thick	Length
	Top	Bot							
SP1	4	0	0	A325	5/8"	1 1/4"	6"	3/8"	9"
SP2	4	4	0	A325	5/8"	1 3/4"	6"	3/8"	1'-5"

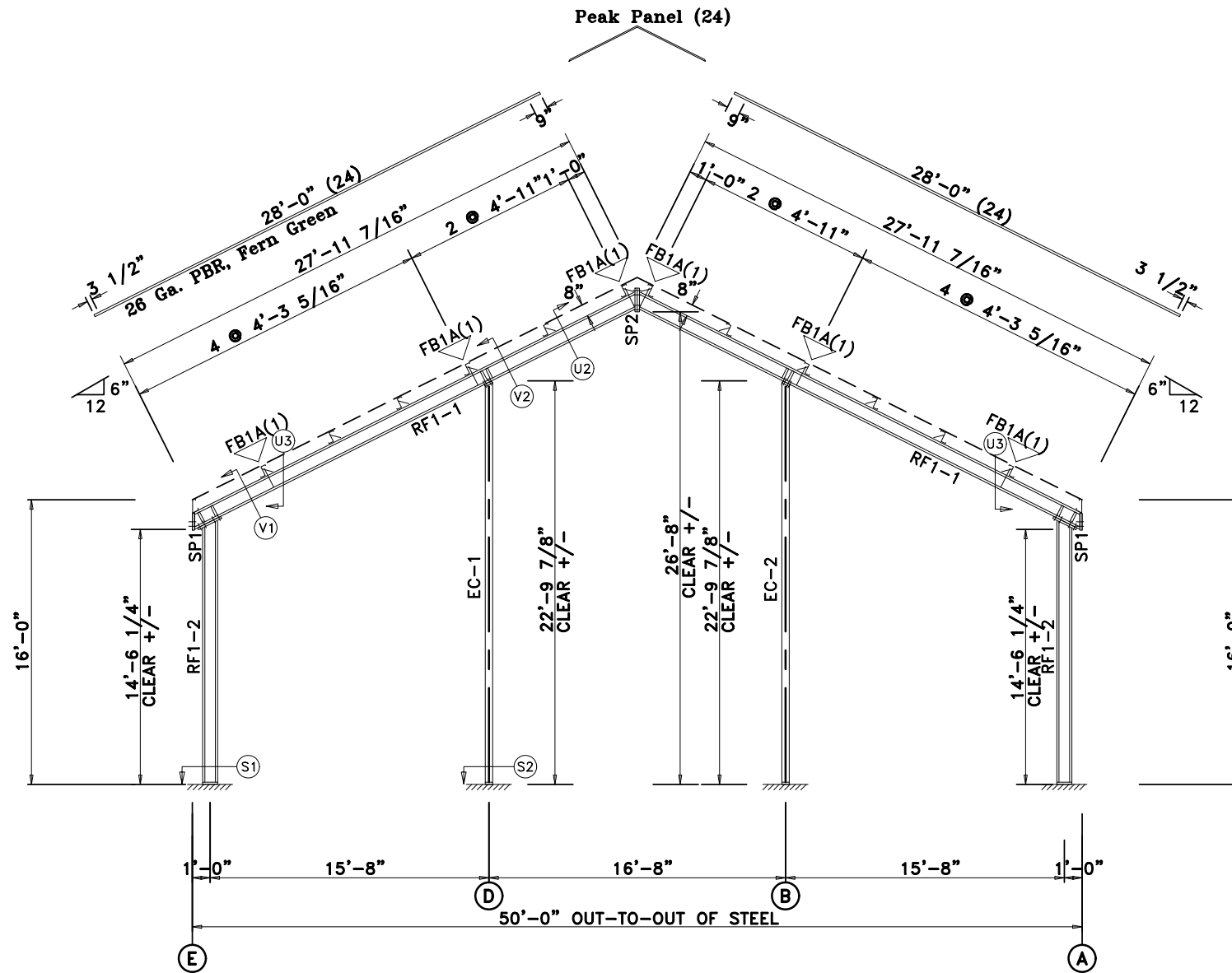
**CAP PLATE BOLTS**

Mark	Qty	Type	Dia	Length
EC-1	8	A325	3/4"	1 3/4"
EC-2	8	A325	3/4"	1 3/4"

**MEMBER SIZE TABLE**

MARK	MEMBER	LENGTH
RF1-1	W8X15	27'-11 7/16"
RF1-2	W8X24	15'-2"
EC-1	W8X24	22'-11 5/8"
EC-2	W8X24	22'-11 5/8"

▽ FLANGE BRACES: Both Sides(U.N.)  
 FBxxA(1)  
 A - F2X2X14g



**RIGID FRAME SECTION: FRAME LINE 1**

**APPROVAL DRAWINGS**

- APPROVED AS DRAWN
- APPROVED AS NOTED
- NOT APPROVED

\_\_\_\_ INITIAL

Please Check And Approve All Dimensions  
 And Conditions. STANDARD STRUCTURES  
 Must Be Notified Of Any Changes.

**SSI** STANDARD STRUCTURES INC.  
 MANUFACTURER OF METAL BUILDINGS & COMPONENTS  
 P.O. BOX 1912  
 ODESSA, TX. 79760  
 1-800-240-0335

**IAS**  
 ACCREDITED™  
 Metal Building Systems  
 AC 472

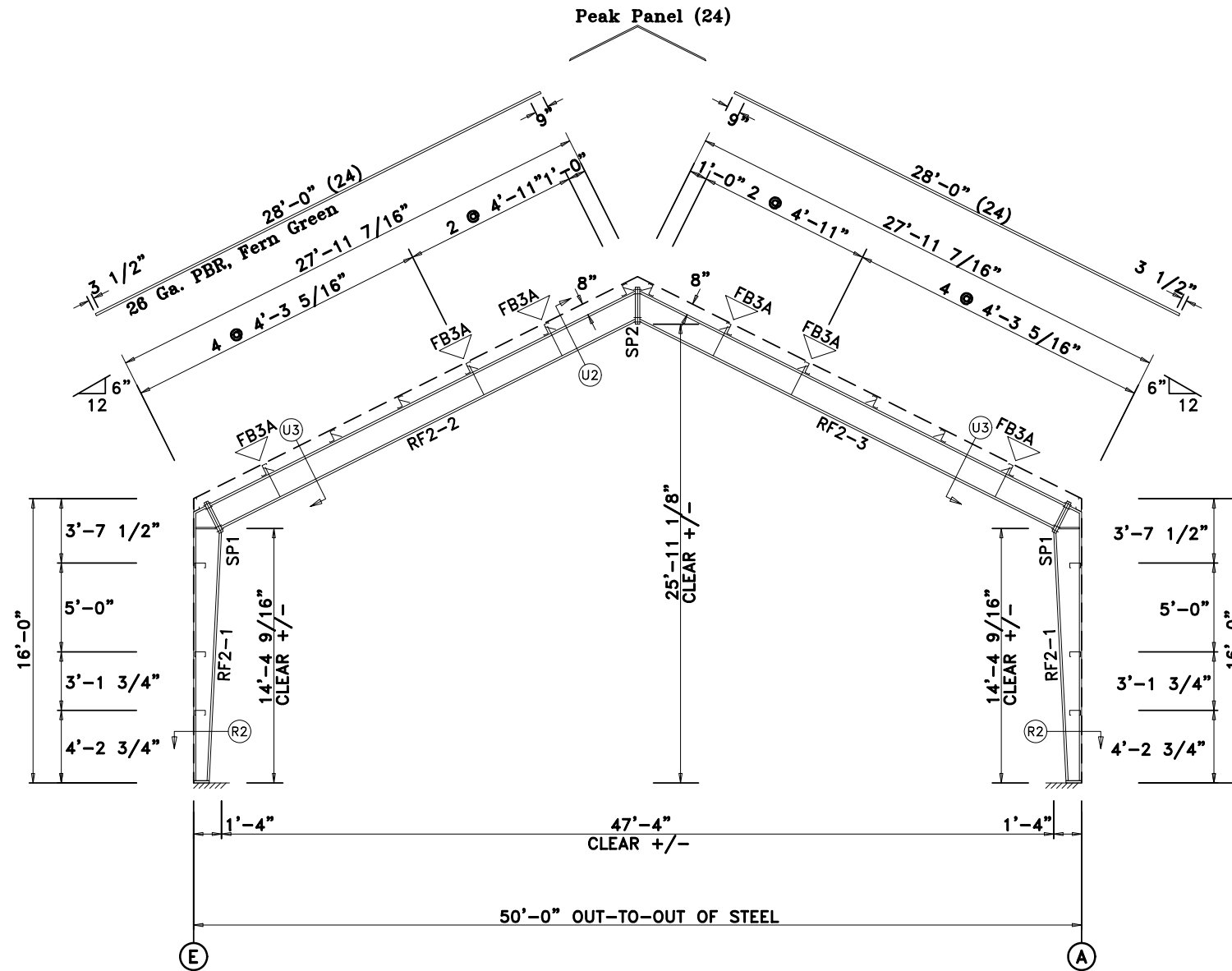
**APPROVAL & PERMIT**

JOB NAME: Cozart Metal Building Systems			
PROJECT NAME: Morton Jefferies			
JOB LOCATION: Baird, Texas 79504			
DRAWING TITLE: RIGID FRAME SECTION			
DATE: 3/16/26	DET:	JOB NO.: 26013	PG.: E-9

SPLICE PLATE & BOLT TABLE									
Mark	Qty		Int	Type	Dia	Length	Width	Thick	Length
	Top	Bot							
SP1	4	4	0	A325	3/4"	2"	6"	1/2"	2'-0 1/2"
SP2	4	4	0	A325	5/8"	1 3/4"	6"	3/8"	2'-2"

MEMBER TABLE								
Mark	Web Depth		Web Plate		Outside Flange		Inside Flange	
	Start/End	Thick	Length	Thick	W x Thk x Length	W x Thk x Length	W x Thk x Length	
RF2-1	7.5/15.2	0.135	161.8	0.135	6 x 1/4" x 182.4	6 x 1/4" x 168.2		
RF2-2	15.2/15.5	0.188	24.0	0.135	6 x 1/4" x 7.5	6 x 1/4" x 318.4		
RF2-3	15.5/15.5	0.135	240.0	0.135	6 x 1/4" x 326.3	6 x 1/4" x 318.4		
	15.5/15.5	0.135	240.0	0.135	6 x 1/4" x 326.3	6 x 1/4" x 318.4		

▽ FLANGE BRACES: Both Sides(U.N.)  
 FBxxA(1)  
 A - F2X2X14g



RIGID FRAME SECTION: FRAME LINE 2 3

**APPROVAL DRAWINGS**

- APPROVED AS DRAWN
- APPROVED AS NOTED
- NOT APPROVED

\_\_\_\_ INITIAL

Please Check And Approve All Dimensions  
 And Conditions. STANDARD STRUCTURES  
 Must Be Notified Of Any Changes.

**SSI** STANDARD STRUCTURES INC.  
 MANUFACTURER OF METAL BUILDINGS & COMPONENTS  
 P.O. BOX 1912  
 ODESSA, TX. 79760  
 1-800-240-0335

**IAS**  
 ACCREDITED™  
 Metal Building Systems  
 AC 472

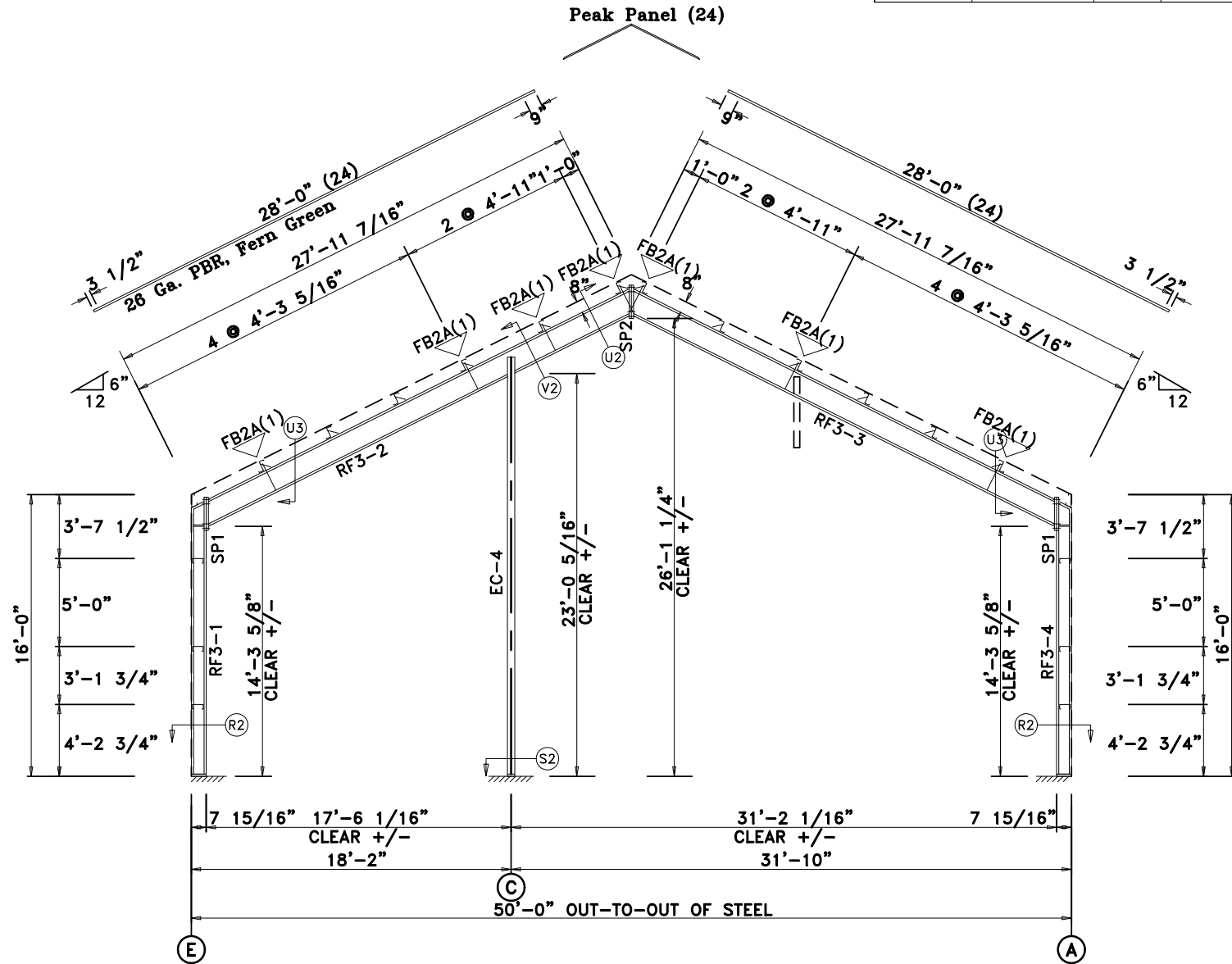
**APPROVAL & PERMIT**

JOB NAME: Cozart Metal Building Systems			
PROJECT NAME: Morton Jefferies			
JOB LOCATION: Baird, Texas 79504			
DRAWING TITLE: RIGID FRAME SECTION			
DATE: 3/16/26	DET:	JOB NO.: 26013	PG.: E-10

SPLICE PLATE & BOLT TABLE										CAP PLATE BOLTS				
Mark	Qty Top	Qty Bot	Int	Type	Dia	Length	Width	Thick	Length	Mark	Qty	Type	Dia	Length
SP1	4	4	0	A325	5/8"	1 3/4"	8"	3/8"	2'-0"	EC-4	4	A325	3/4"	1 3/4"
SP2	4	4	0	A325	5/8"	1 3/4"	6"	3/8"	2'-0"					

MEMBER TABLE						
Mark	Web Depth		Web Plate		Outside Flange W x Thk x Length	Inside Flange W x Thk x Length
	Start	End	Thick	Length		
RF3-1	W8X24				6 x 1/4" x 325.6	6 x 1/4" x 325.6
RF3-2	13.5	13.5	0.135	92.5		
RF3-3	13.5	13.5	0.135	240.0	6 x 1/4" x 325.6	6 x 1/4" x 325.6
	13.5	13.5	0.135	92.5		
RF3-4	W8X24					
EC-4	W8X24					

▽ FLANGE BRACES: Both Sides(U.N.)  
 FBxxA(1)  
 A - F2X2X14g



RIGID FRAME SECTION: FRAME LINE 4

APPROVAL DRAWINGS	
<input type="checkbox"/>	APPROVED AS DRAWN
<input type="checkbox"/>	APPROVED AS NOTED
<input type="checkbox"/>	NOT APPROVED
____ INITIAL	
Please Check And Approve All Dimensions And Conditions. STANDARD STRUCTURES Must Be Notified Of Any Changes.	

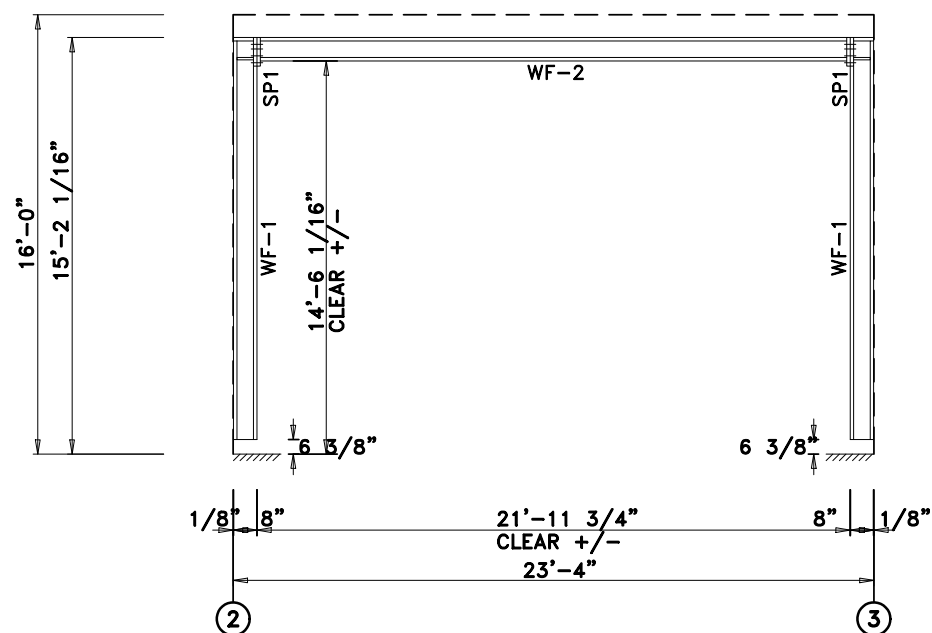
**SSI** STANDARD STRUCTURES INC.  
 MANUFACTURER OF METAL BUILDINGS & COMPONENTS  
 P.O. BOX 1912  
 ODESSA, TX. 79760  
 1-800-240-0335

**IAS**  
 ACCREDITED™  
 Metal Building Systems  
 AC 472

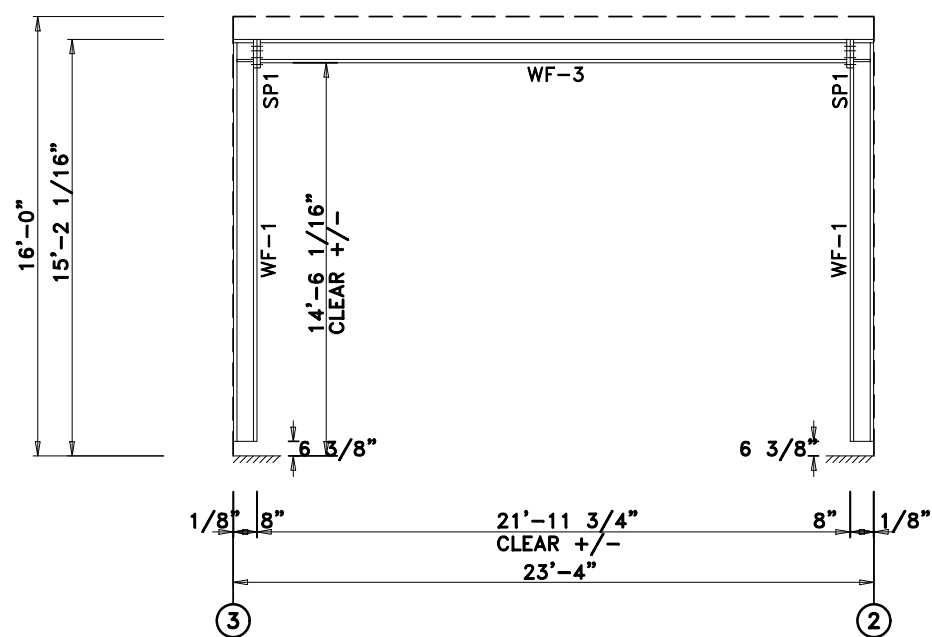
APPROVAL & PERMIT			
JOB NAME: Cozart Metal Building Systems			
PROJECT NAME: Morton Jefferies			
JOB LOCATION: Baird, Texas 79504			
DRAWING TITLE: RIGID FRAME SECTION			
DATE: 3/16/26	DET:	JOB NO.: 26013	PG.: E-11

SPLICE BOLTS				
Splice Mark	Quan Top/Bot	Bolt Type	Dia	Length
SP1	2 6	A325	0.750	2.25

MEMBER SIZE TABLE		
MARK	MEMBER	LENGTH
WF-2	W08663	21'-11 1/4"
WF-1	W08663	14'-7 11/16"



WIND BENT ELEVATION: FRAME LINE A



WIND BENT ELEVATION: FRAME LINE E

SPLICE BOLTS				
Splice Mark	Quan Top/Bot	Bolt Type	Dia	Length
SP1	2 6	A325	0.750	2.25

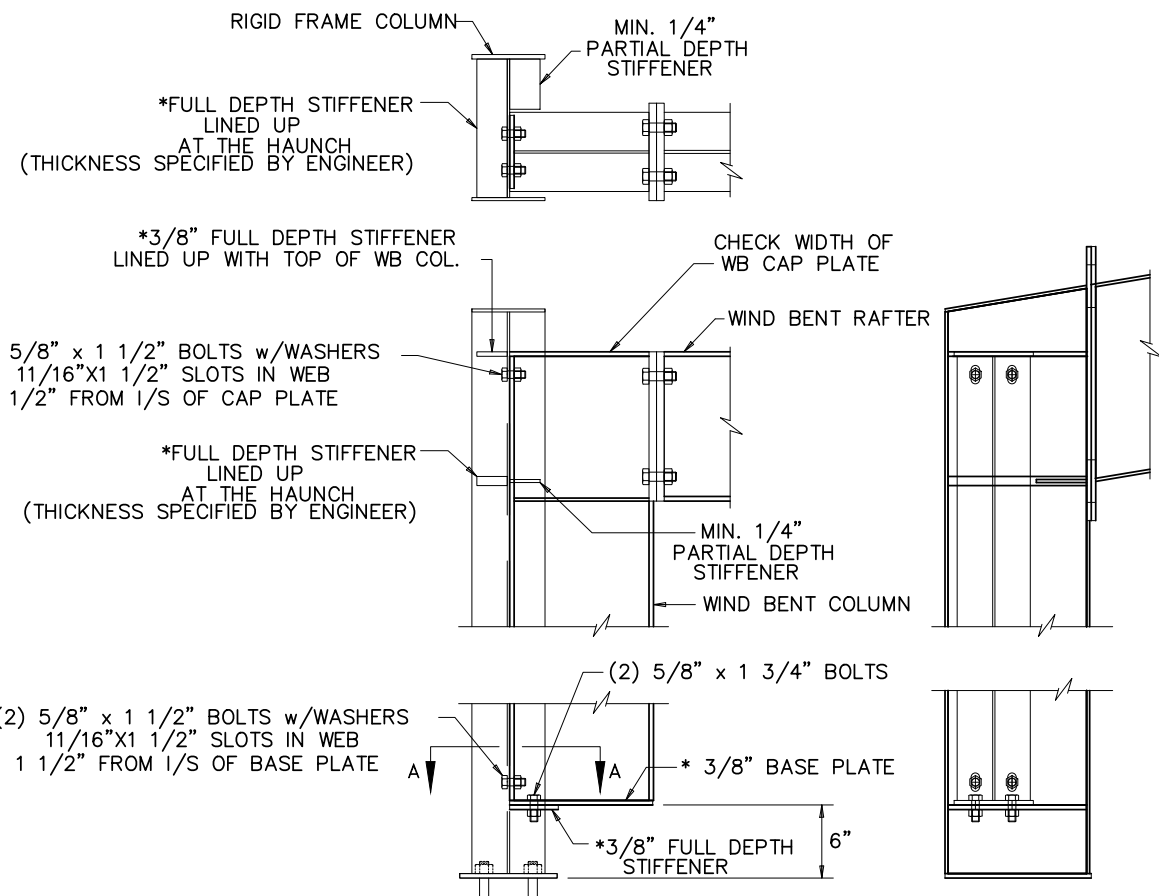
MEMBER SIZE TABLE		
MARK	MEMBER	LENGTH
WF-3	W08663	21'-11 1/4"
WF-1	W08663	14'-7 11/16"

### APPROVAL DRAWINGS

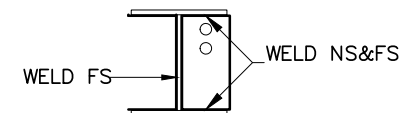
- APPROVED AS DRAWN
- APPROVED AS NOTED
- NOT APPROVED

\_\_\_\_ INITIAL

Please Check And Approve All Dimensions And Conditions. STANDARD STRUCTURES Must Be Notified Of Any Changes.



\*THE STIFFENER/BASE PLATE IS NOT SHOWN ON SHOP DRAWINGS



SECTION A-A

\*\*\* CALL OUT ON SHOP DRAWINGS \*\*\*

**SSI** STANDARD STRUCTURES INC.  
MANUFACTURER OF METAL BUILDINGS & COMPONENTS

P.O. BOX 1912  
ODESSA, TX. 79760  
1-800-240-0335



ACCREDITED™  
Metal Building Systems  
AC 472

### APPROVAL & PERMIT

JOB NAME: Cozart Metal Building Systems

PROJECT NAME: Morton Jefferies

JOB LOCATION: Baird, Texas 79504

DRAWING TITLE: *DETAIL DRAWINGS*

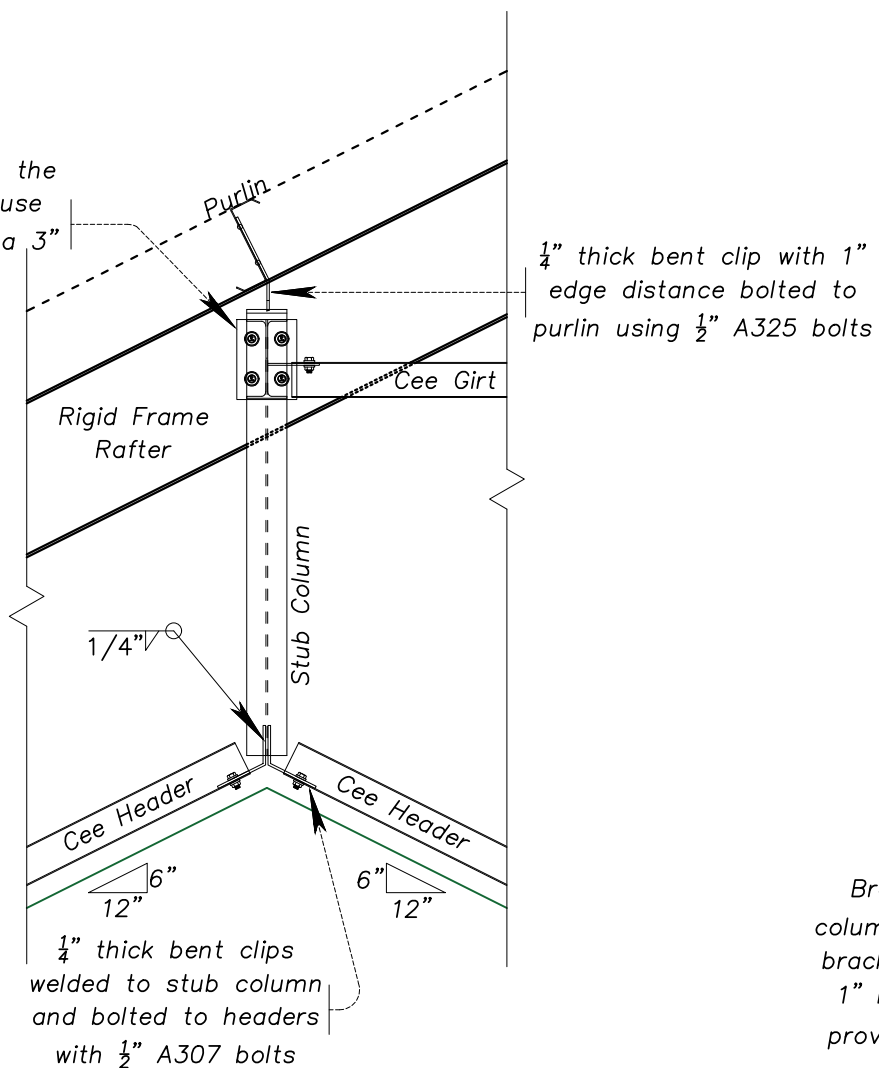
DATE: 3/16/26

DET:

JOB NO.: 26013

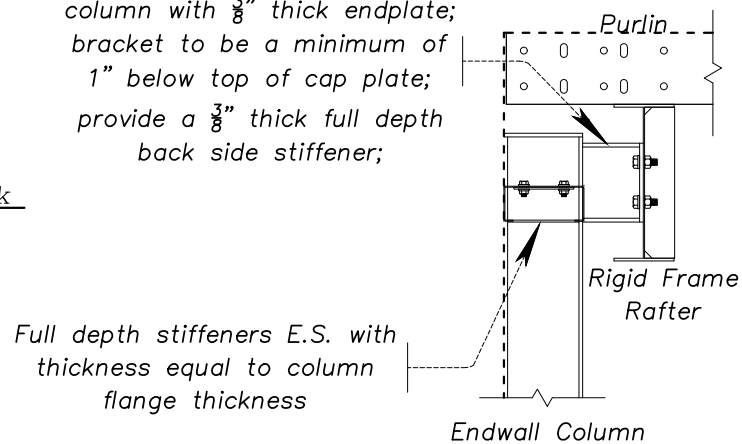
PG.: E-12

Bracket to be located in the top half of the rafter; use (4)  $\frac{3}{4}$ "  $\phi$  A325 bolts with a 3" gage and 4" pitch



1 Stub Column Connection Detail Above Existing Building Peak

Bracket equal to size of column with  $\frac{3}{8}$ " thick endplate; bracket to be a minimum of 1" below top of cap plate; provide a  $\frac{3}{8}$ " thick full depth back side stiffener;

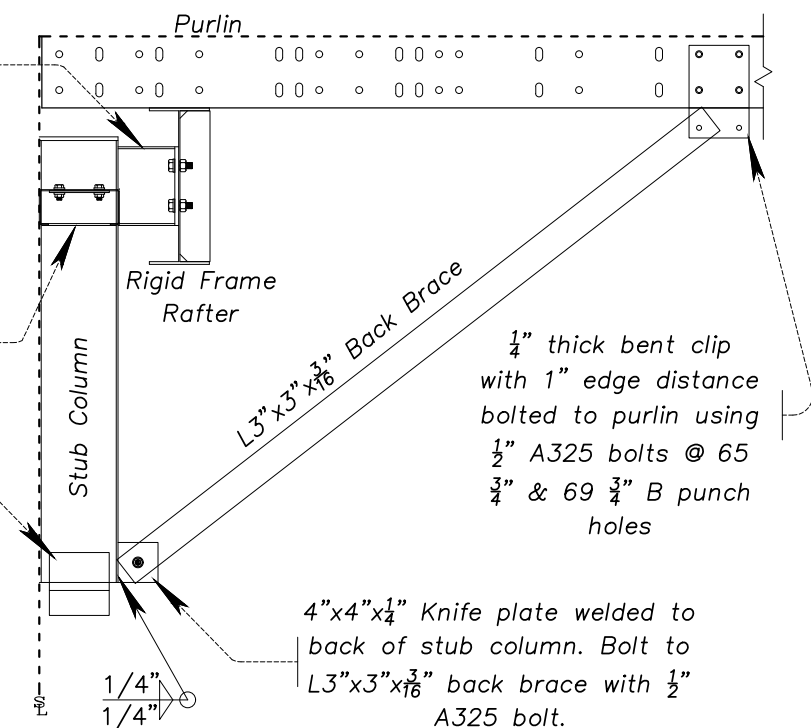


4 Endwall Column Connection Detail On Frame Line #4

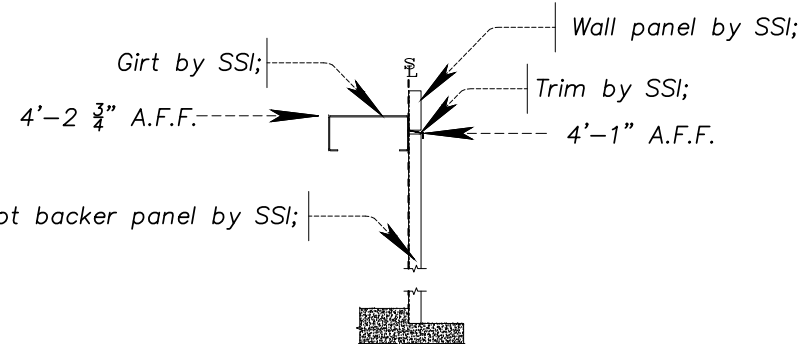
Bracket equal to size of column with  $\frac{3}{8}$ " thick endplate; bracket to be a minimum of 1" below top of cap plate; provide a  $\frac{3}{8}$ " thick full depth back side stiffener;

Full depth stiffeners E.S. with thickness equal to column flange thickness

$\frac{1}{4}$ " thick bent clips welded to stub column and bolted to headers with  $\frac{1}{2}$ " A307 bolts

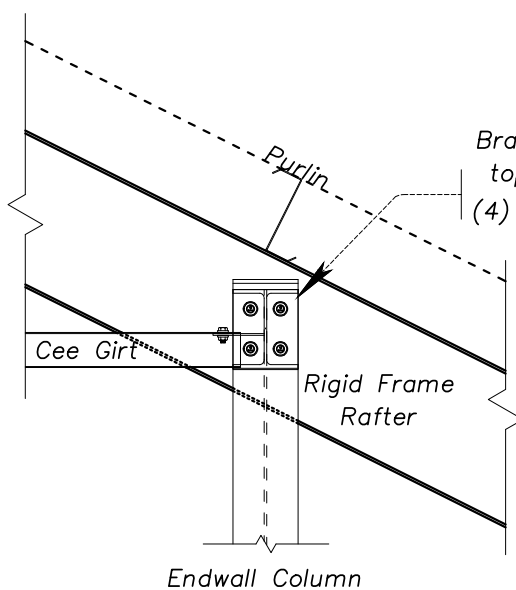


2 Back Brace & Stub Column Detail Above Existing Building Peak



5 Wainscot Transition Detail

Bracket to be located in the top half of the rafter; use (4)  $\frac{3}{4}$ "  $\phi$  A325 bolts with a 3" gage and 4" pitch



3 Endwall Column Connection Detail On Frame Line #4

### APPROVAL DRAWINGS

- APPROVED AS DRAWN
- APPROVED AS NOTED
- NOT APPROVED

\_\_\_\_ INITIAL

Please Check And Approve All Dimensions And Conditions. STANDARD STRUCTURES Must Be Notified Of Any Changes.

**SSI** STANDARD STRUCTURES INC.  
MANUFACTURER OF METAL BUILDINGS & COMPONENTS

P.O. BOX 1912  
ODESSA, TX. 79760  
1-800-240-0335

**IAS**

ACCREDITED™  
Metal Building Systems  
AC 472

### APPROVAL & PERMIT

JOB NAME: Cozart Metal Building Systems

PROJECT NAME: Morton Jefferies

JOB LOCATION: Baird, Texas 79504

DRAWING TITLE: DETAIL DRAWINGS

DATE: 3/16/26

DET:

JOB NO.: 26013

PG.: E-13