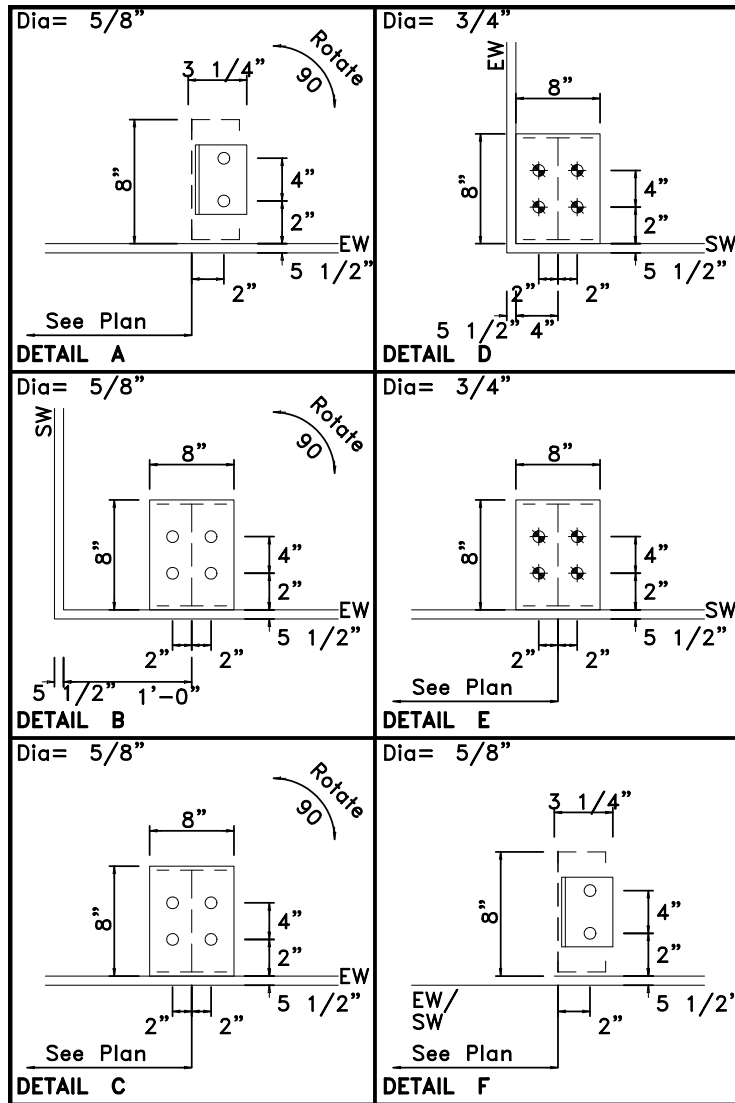


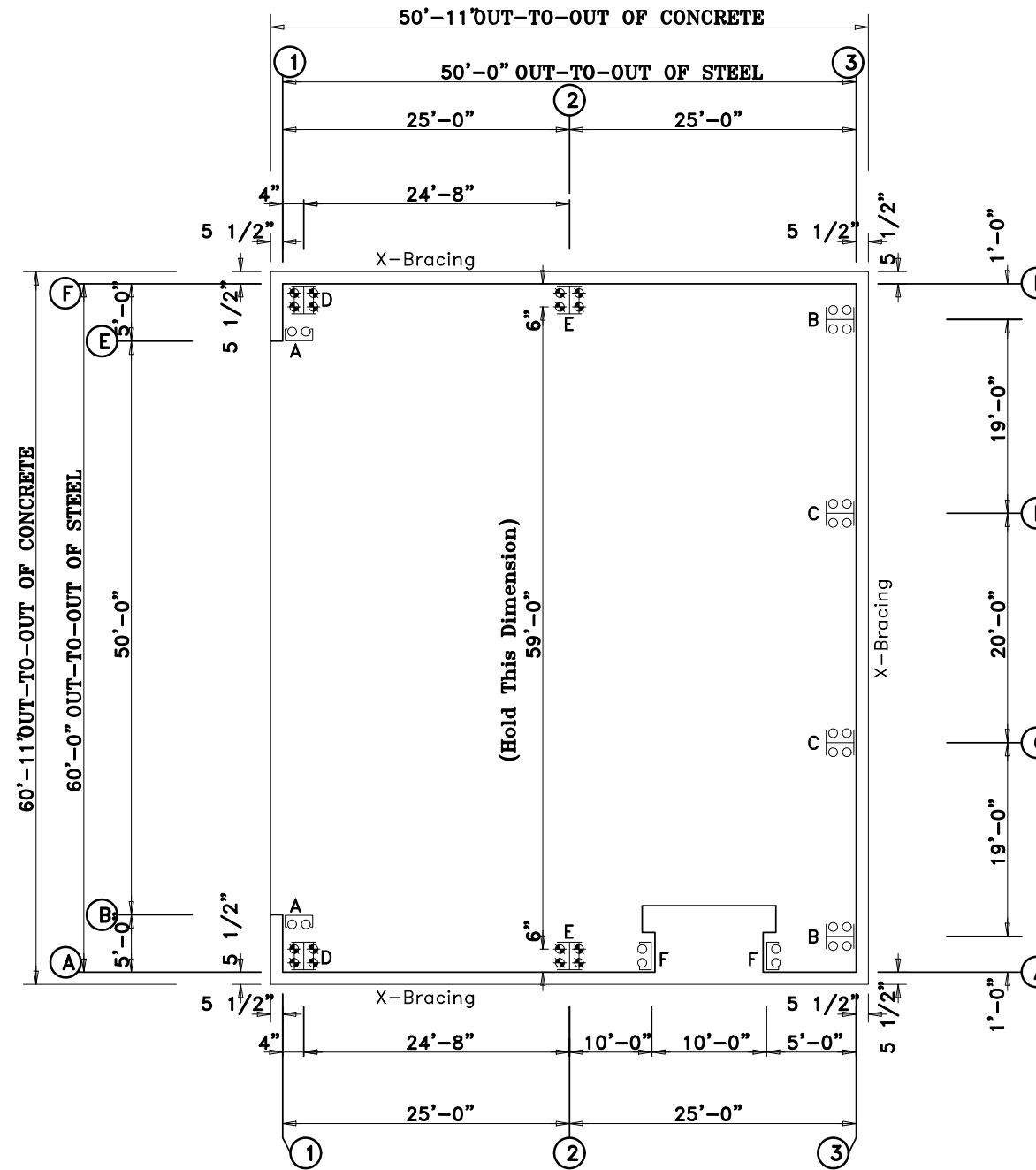
Include (3) 5030 Windows, Low E tinted glass, Double pane, with flat fins.

Job# 26026
Final Design

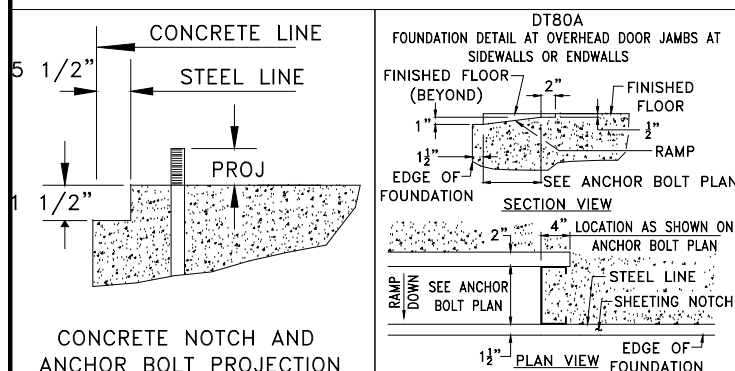


ANCHOR BOLT SUMMARY

Qty	Locate	Dia (in)	Type	Proj (in)
4	Jamb	5/8"	A307	1.50
20	Endwall	5/8"	A307	1.50
16	Frame	3/4"	A307	2.00



ANCHOR BOLT PLAN
NOTE: All Base Plates @ 100'-0" (U.N.)



APPROVAL DRAWINGS

APPROVED AS DRAWN
 APPROVED AS NOTED
 NOT APPROVED

____ INITIAL

Please Check And Approve All Dimensions And Conditions. STANDARD STRUCTURES Must Be Notified Of Any Changes.

SSI STANDARD STRUCTURES INC.
 MANUFACTURER OF METAL BUILDINGS & COMPONENTS
 P.O. BOX 1912
 ODESSA, TX. 79760
 1-800-240-0335

IAS
 ACCREDITED™
 Metal Building Systems
 AC 472

APPROVAL & PERMIT

JOB NAME: Richard Suess
 PROJECT NAME: Schlitter
 JOB LOCATION: Granbury, TX 76049
 DRAWING TITLE: ANCHOR BOLT PLAN
 DATE: 3/12/26 DET: JOB NO.: 26026 PG.: E-1

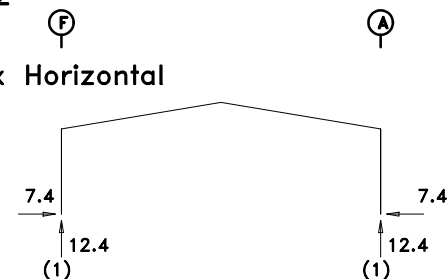
NOTES FOR REACTIONS

Building reactions are based on the following building data:
 Width (ft) = 60.0
 Length (ft) = 50.0
 Eave Height (ft) = 16.0 / 16.0
 Roof Slope (rise/12) = 2.00 / 2.00
 Roof Dead Load (psf) = 2.5
 Roof Live Load (psf) = 20.0
 Frame Live Load (psf) = 12.0
 Collateral Load (psf) = 1.0
 Snow Load (psf) = 3.5
 Minimum Snow (psf) = 5.0
 Wind Speed (mph) = 108.0
 Wind Code = 2021 IBC
 Exposure = C
 Closure = Enclosed
 Internal Wind Coeff = -0.18, +0.18
 Risk Category = II - Normal
 Importance - Seismic = 1.00
 Seismic Design Category = B
 Seismic Coeff (Sms) = 0.13

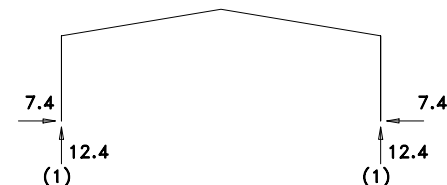
RIGID FRAME REACTIONS (k)

⊙ 2

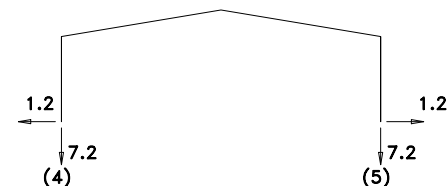
Max Horizontal



Max +Vertical



Max -Vertical

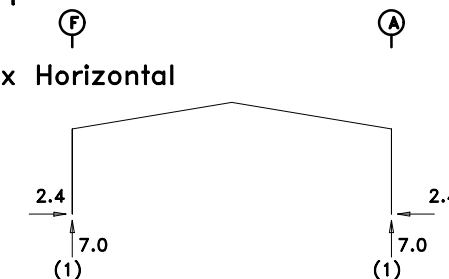


(1) Dead+Collateral+Live
 (4) 0.6Dead+0.6Wind_Long1L
 (5) 0.6Dead+0.6Wind_Long2L

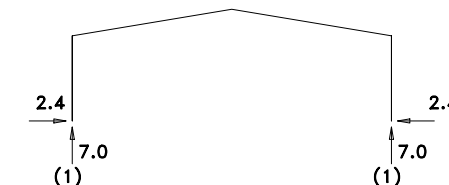
RIGID FRAME REACTIONS (k)

⊙ 1

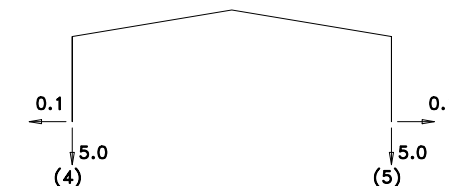
Max Horizontal



Max +Vertical



Max -Vertical



(1) Dead+Collateral+Live
 (4) 0.6Dead+0.6Wind_Long1L
 (5) 0.6Dead+0.6Wind_Long2L

BUILDING BRACING REACTIONS

Wall Loc	Col Line	± Reactions(k)	0.6Wind		Seismic		Panel Shear (lb/ft)	Note	
			Horz	Vert	Horz	Vert			
L_EW	1	Rigid frame at endwall							
F_SW	A	1,2	4.9	2.9	0.3	0.2			
R_EW	3	C,D	1.3	1.2	0.2	0.2			
B_SW	F	2,1	4.9	2.9	0.3	0.2			

Reactions for seismic represent shear force, Eh

ENDWALL COLUMN REACTIONS(k)

Frame Line	Col Line	Max Horz	Max +Vert	Max -Vert	Vert	Horz	Load Id
3	C	2.2	7.3	-4.5	-4.5	0.0	(12)
3	C	2.2	7.3	-4.5	-4.5	0.0	(13)
3	C	2.2	7.3	-4.5	-4.5	0.0	(12)

(12) 0.6Dead+0.6Wind_Left1+0.6Wind_Suction
 (13) Dead+Collateral+E2PAT_LL_1

APPROVAL DRAWINGS

- APPROVED AS DRAWN
- APPROVED AS NOTED
- NOT APPROVED

____ INITIAL

Please Check And Approve All Dimensions And Conditions. STANDARD STRUCTURES Must Be Notified Of Any Changes.

SSI STANDARD STRUCTURES INC.
 MANUFACTURER OF METAL BUILDINGS & COMPONENTS

P.O. BOX 1912
 ODESSA, TX. 79760
 1-800-240-0335



ACCREDITED™
 Metal Building Systems
 AC 472

APPROVAL & PERMIT

JOB NAME: Richard Suess

PROJECT NAME: Schlitter

JOB LOCATION: Granbury, TX 76049

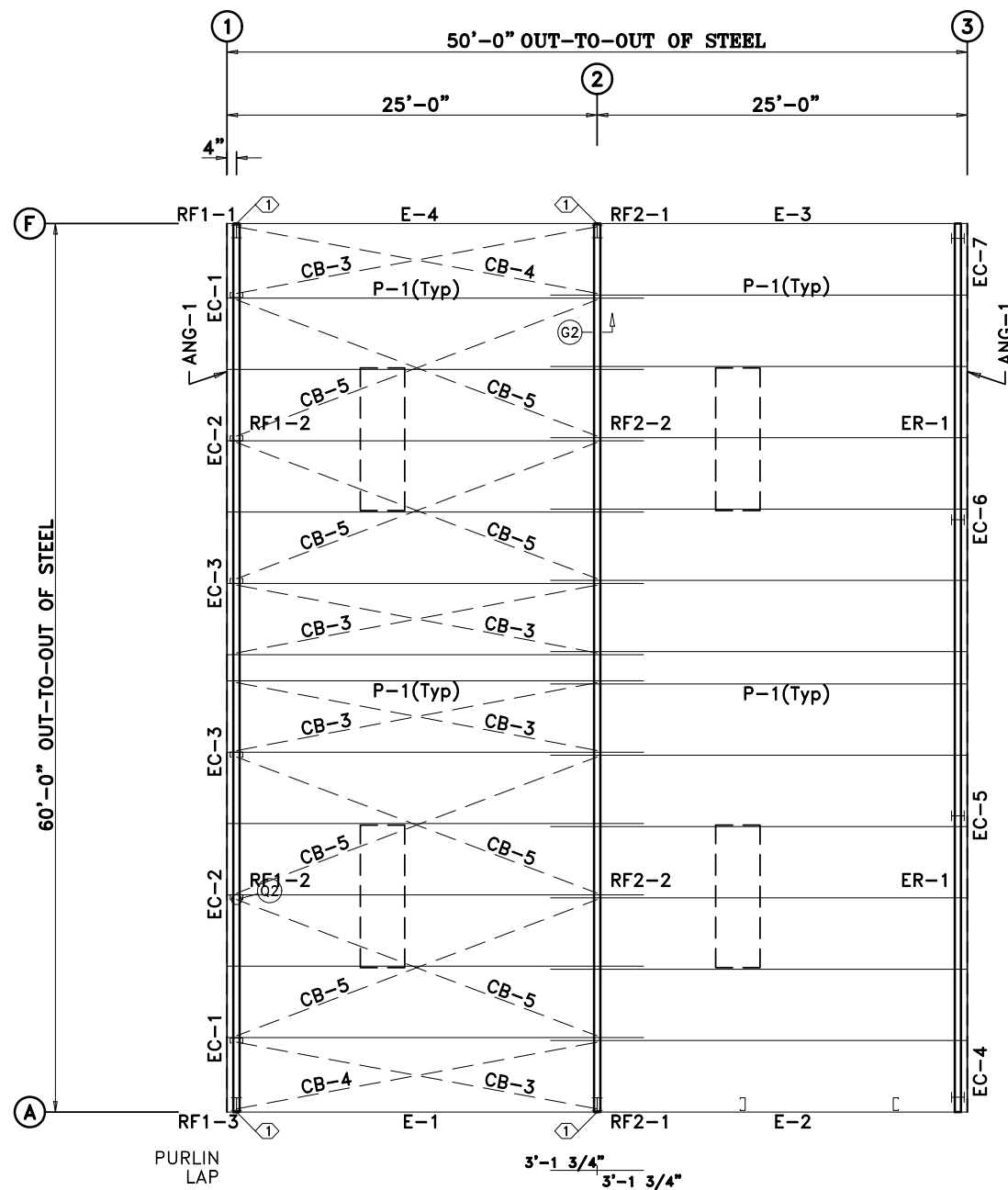
DRAWING TITLE: ANCHOR BOLT REACTIONS

DATE: 3/12/26

DET:

JOB NO.: 26026

PG.: E-2



ROOF FRAMING PLAN

MEMBER TABLE			
ROOF PLAN			
QUAN	MARK	PART	LENGTH
24	P-1	8x25Z13	28'-1 1/2"
1	E-1	82LEDS14	24'-11 1/2"
1	E-2	82LEDS14	24'-11 1/2"
1	E-3	82LEDS14	24'-11 1/2"
1	E-4	82LEDS14	24'-11 1/2"
6	CB-3	3/8_CBL	23'-2"
2	CB-4	3/8_CBL	23'-1"
8	CB-5	3/8_CBL	24'-4"

SPECIAL BOLTS					
ROOF PLAN					
○ ID	QUAN	TYPE	DIA	LENGTH	WASH
1	4	A325	1/2"	1 1/4"	0

APPROVAL DRAWINGS

- APPROVED AS DRAWN
- APPROVED AS NOTED
- NOT APPROVED

____ INITIAL

Please Check And Approve All Dimensions
And Conditions. STANDARD STRUCTURES
Must Be Notified Of Any Changes.

SSI STANDARD STRUCTURES INC.
MANUFACTURER OF METAL BUILDINGS & COMPONENTS

P.O. BOX 1912
ODESSA, TX. 79760
1-800-240-0335

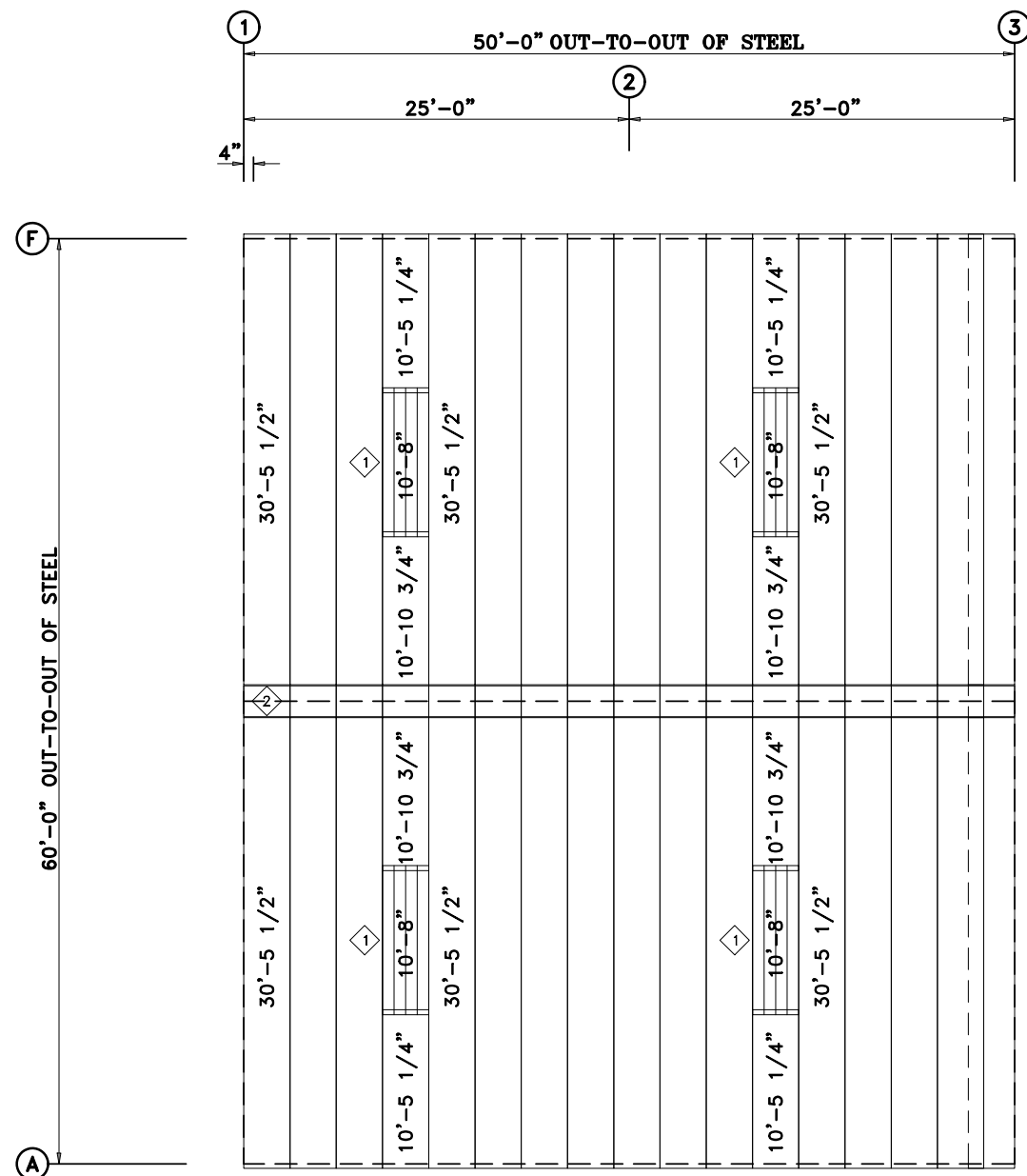


ACCREDITED™
Metal Building Systems
AC 472

APPROVAL & PERMIT

JOB NAME: Richard Suess			
PROJECT NAME: Schlitter			
JOB LOCATION: Granbury, TX 76049			
DRAWING TITLE: ROOF FRAMING			
DATE: 3/12/26	DET:	JOB NO.: 26026	PG.: E-3

TRIM TABLE				
ROOF PLAN				
◇ ID	QUAN	PART	LENGTH	DETAIL
1	2	SLT-10	10'-8"	TRIM #23
2	17	PEAK 26R	3'-0"	TRIM #1



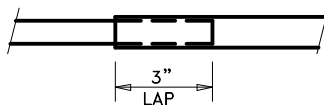
ROOF SHEETING PLAN
PANELS: 26 Ga. PBR - Light Stone

APPROVAL DRAWINGS

- APPROVED AS DRAWN
- APPROVED AS NOTED
- NOT APPROVED

____ INITIAL

Please Check And Approve All Dimensions
 And Conditions. STANDARD STRUCTURES
 Must Be Notified Of Any Changes.



ALL TRIM LAPS ARE TO BE 3" LONG

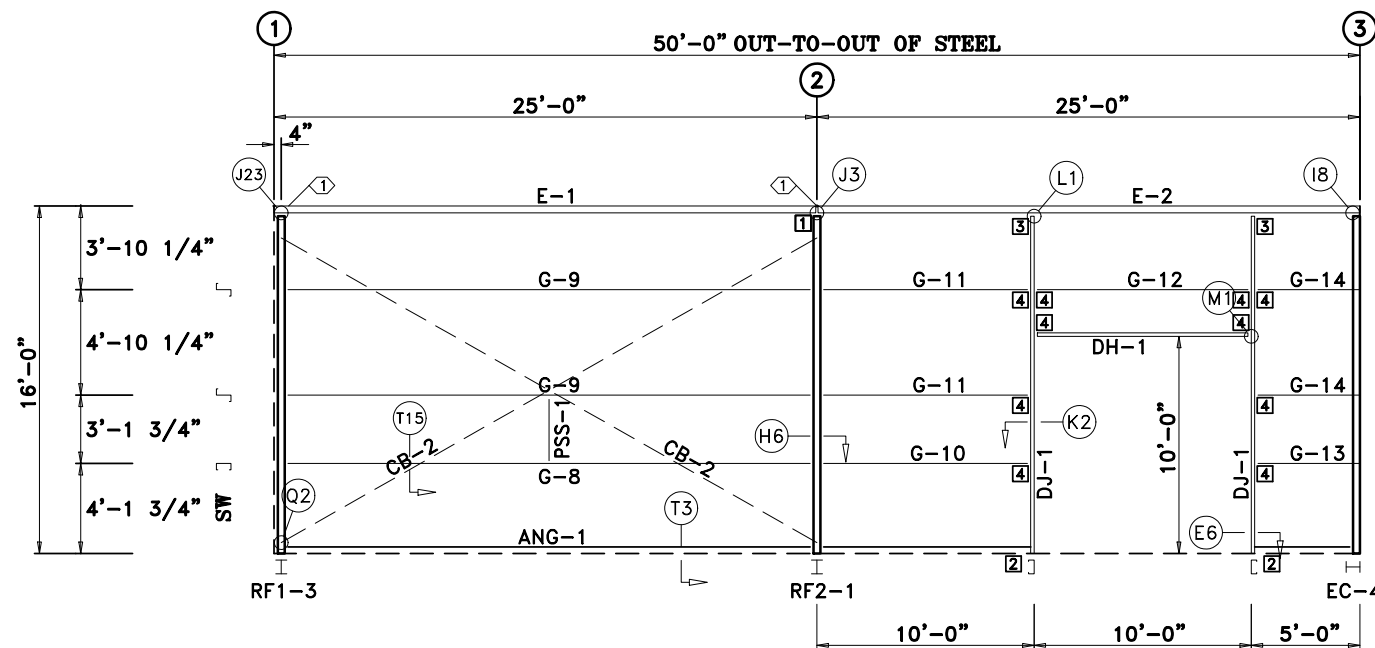
NOTE: If Trim Lap Is More Than 3" Long, The Trim
 May Not Cover The Required Coverage Length.

SSI STANDARD STRUCTURES INC.
 MANUFACTURER OF METAL BUILDINGS & COMPONENTS
 P.O. BOX 1912
 ODESSA, TX. 79760
 1-800-240-0335

IAS
 ACCREDITED™
 Metal Building Systems
 AC 472

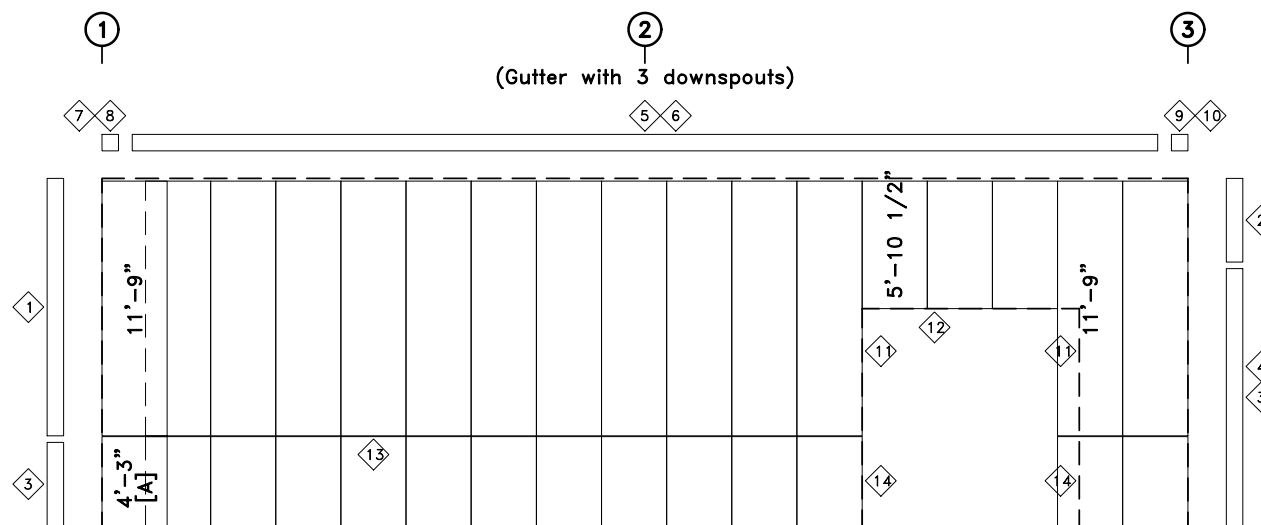
APPROVAL & PERMIT

JOB NAME: Richard Suess
 PROJECT NAME: Schlitter
 JOB LOCATION: Granbury, TX 76049
 DRAWING TITLE: ROOF SHEETING
 DATE: 3/12/26 DET: JOB NO.: 26026 PG.: E-4



SIDEWALL FRAMING: FRAME LINE A

Note to detailer: provide PSS-1 blocking where shown. PSS-1 shall be 8x35C16. Girts at 4'-1 3/4" height shall be 8x35C16 toed down.



SIDEWALL SHEETING & TRIM: FRAME LINE A

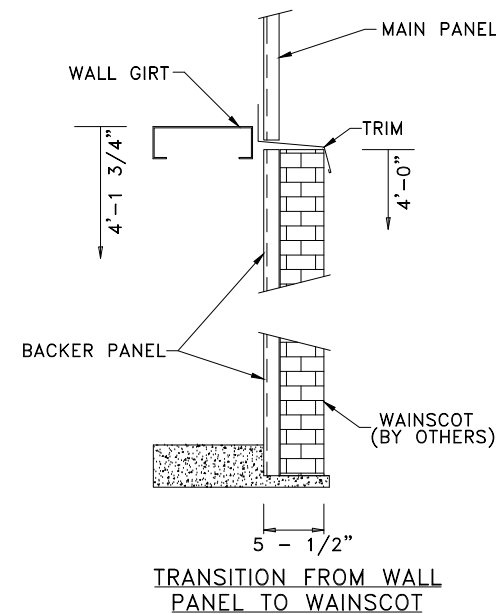
PANELS: 26 Ga. PBR - Light Stone
 [A] PANELS: 26 Ga. PBR - Light Stone

TRIM TABLE				
FRAME LINE A				
ID	QUAN	PART	LENGTH	DETAIL
1	1	CRNTR243	12'-0"	TRIM #2
2	1	CRNTR243	4'-0"	TRIM #2
3	2	CRNTR243	4'-3"	TRIM #2
4	1	CRNTR243	8'-1"	TRIM #2
5	3	GUTT243	16'-10"	TRIM #5
6	5	BACKSPLS	10'-3"	
7	1	SGUTENDL	6"	
8	1	SCRNBX-L	6"	TRIM #16
9	1	SGUTENDR	6"	TRIM #16
10	1	SCRNBX-R	6"	TRIM #16
11	2	JMBTR243	6'-1"	TRIM #6
12	1	HEADR243	10'-4"	TRIM #8
13	5	WT-1	10'-3"	
14	2	JMBTR243	4'-4"	TRIM #6

MEMBER TABLE				
FRAME LINE A				
QUAN	MARK	PART	LENGTH	
2	DJ-1	8x35C16	15'-3 5/8"	
1	DH-1	8x35C16	10'-0"	
1	E-1	82LEDS14	24'-11 1/2"	
1	E-2	82LEDS14	24'-11 1/2"	
1	G-8	8x35C16	24'-1 1/2"	
2	G-9	8x25Z14	24'-1 1/2"	
1	G-10	8x35C16	9'-5"	
2	G-11	8x25Z16	9'-5"	
1	G-12	8x25Z16	9'-11 1/2"	
1	G-13	8x35C16	4'-8"	
2	G-14	8x25Z16	4'-8"	
2	CB-2	3/8_CBL	26'-8"	

SPECIAL BOLTS					
ID	QUAN	TYPE	DIA	LENGTH	WASH
1	4	A325	1/2"	1 1/4"	0

CONNECTION PLATES		
FRAME LINE A		
ID	QUAN	MARK/PART
1	1	EPP-2
2	2	C-104
3	2	C11-8x2
4	10	C-5

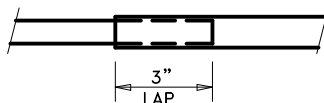


APPROVAL DRAWINGS

- APPROVED AS DRAWN
- APPROVED AS NOTED
- NOT APPROVED

____ INITIAL

Please Check And Approve All Dimensions
 And Conditions. STANDARD STRUCTURES
 Must Be Notified Of Any Changes.



ALL TRIM LAPS ARE TO BE 3" LONG

NOTE: If Trim Lap Is More Than 3" Long, The Trim May Not Cover The Required Coverage Length.

SSI STANDARD STRUCTURES INC.
 MANUFACTURER OF METAL BUILDINGS & COMPONENTS

P.O. BOX 1912
 ODESSA, TX. 79760
 1-800-240-0335



ACCREDITED™
 Metal Building Systems
 AC 472

APPROVAL & PERMIT

JOB NAME: Richard Suess

PROJECT NAME: Schlitter

JOB LOCATION: Granbury, TX 76049

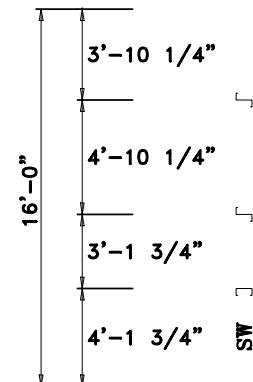
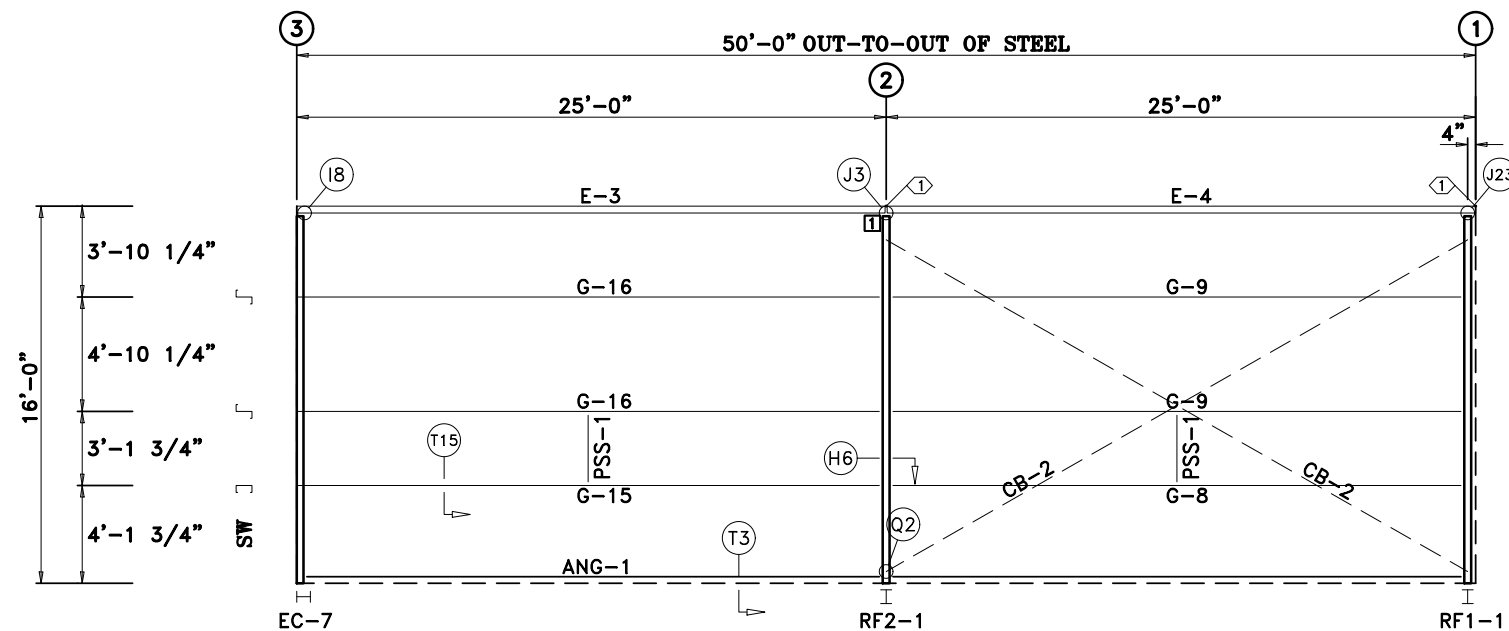
DRAWING TITLE: *SIDEWALL DRAWING*

DATE: 3/12/26

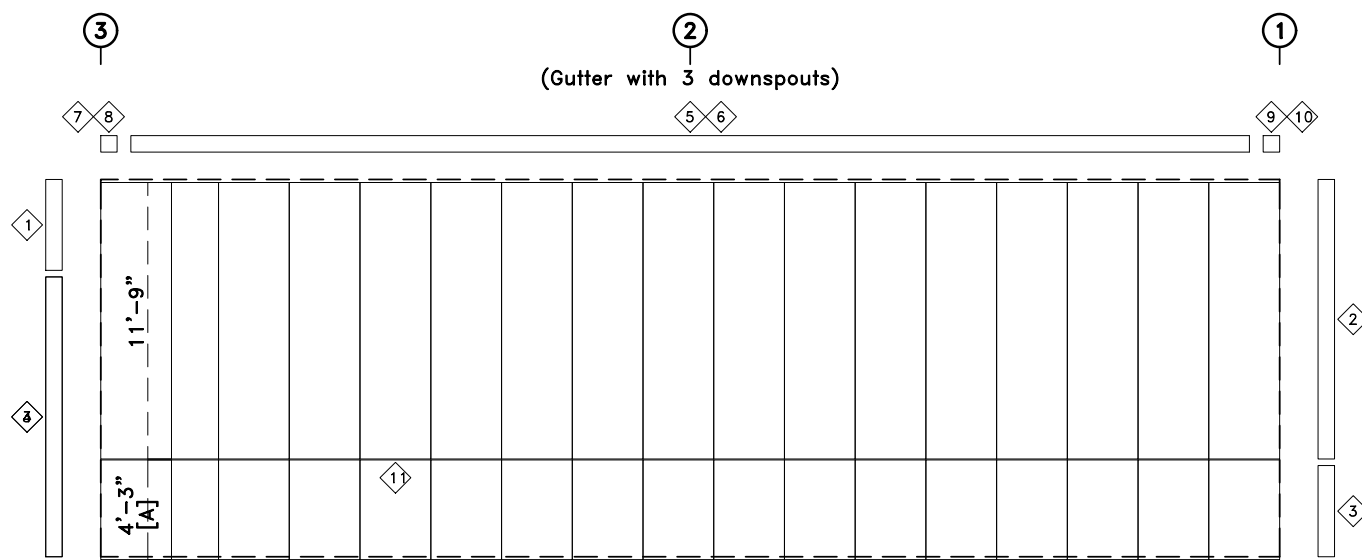
DET:

JOB NO.: 26026

PG.: E-5



SIDEWALL FRAMING: FRAME LINE F



SIDEWALL SHEETING & TRIM: FRAME LINE F

PANELS: 26 Ga. PBR - Light Stone
 [A] PANELS: 26 Ga. PBR - Light Stone

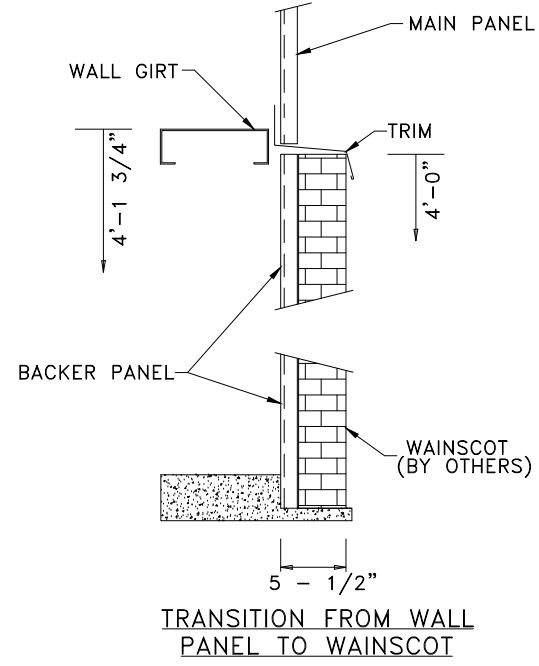
Note to detailer: provide PSS-1 blocking where shown. PSS-1 shall be 8x35C16. Girts at 4'-1 3/4" height shall be 8x35C16 toed down.

TRIM TABLE				
FRAME LINE F				
ID	QUAN	PART	LENGTH	DETAIL
1	1	CRNTR243	4'-0"	TRIM #2
2	1	CRNTR243	12'-0"	TRIM #2
3	2	CRNTR243	4'-3"	TRIM #2
4	1	CRNTR243	8'-1"	TRIM #2
5	3	GUTT243	16'-10"	TRIM #5
6	5	BACKSPLS	10'-3"	
7	1	SGUTENDL	6"	
8	1	SCRNBX-L	6"	TRIM #16
9	1	SGUTENDR	6"	TRIM #16
10	1	SCRNBX-R	6"	TRIM #16
11	5	WT-1	10'-3"	

MEMBER TABLE				
FRAME LINE F				
QUAN	MARK	PART	LENGTH	
1	E-3	82LEDS14	24'-11 1/2"	
1	E-4	82LEDS14	24'-11 1/2"	
1	G-8	8x35C16	24'-1 1/2"	
2	G-9	8x25Z14	24'-1 1/2"	
1	G-15	8x35C16	24'-8 1/2"	
2	G-16	8x25Z14	24'-8 1/2"	
2	CB-2	3/8_CBL	26'-8"	

SPECIAL BOLTS					
ID	QUAN	TYPE	DIA	LENGTH	WASH
1	4	A325	1/2"	1 1/4"	0

CONNECTION PLATES			
FRAME LINE F			
ID	QUAN	MARK/PART	
1	1	EFP-2	



TRANSITION FROM WALL PANEL TO WAINSCOT

APPROVAL DRAWINGS

- APPROVED AS DRAWN
 - APPROVED AS NOTED
 - NOT APPROVED
- ____ INITIAL

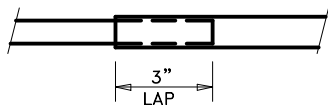
Please Check And Approve All Dimensions And Conditions. STANDARD STRUCTURES Must Be Notified Of Any Changes.

SSI STANDARD STRUCTURES INC.
 MANUFACTURER OF METAL BUILDINGS & COMPONENTS
 P.O. BOX 1912
 ODESSA, TX. 79760
 1-800-240-0335

IAS
 ACCREDITED™
 Metal Building Systems
 AC 472

APPROVAL & PERMIT

JOB NAME: Richard Suess
 PROJECT NAME: Schlitter
 JOB LOCATION: Granbury, TX 76049
 DRAWING TITLE: *SIDEWALL DRAWING*
 DATE: 3/12/26 DET: JOB NO.: 26026 PG.: E-6



ALL TRIM LAPS ARE TO BE 3" LONG

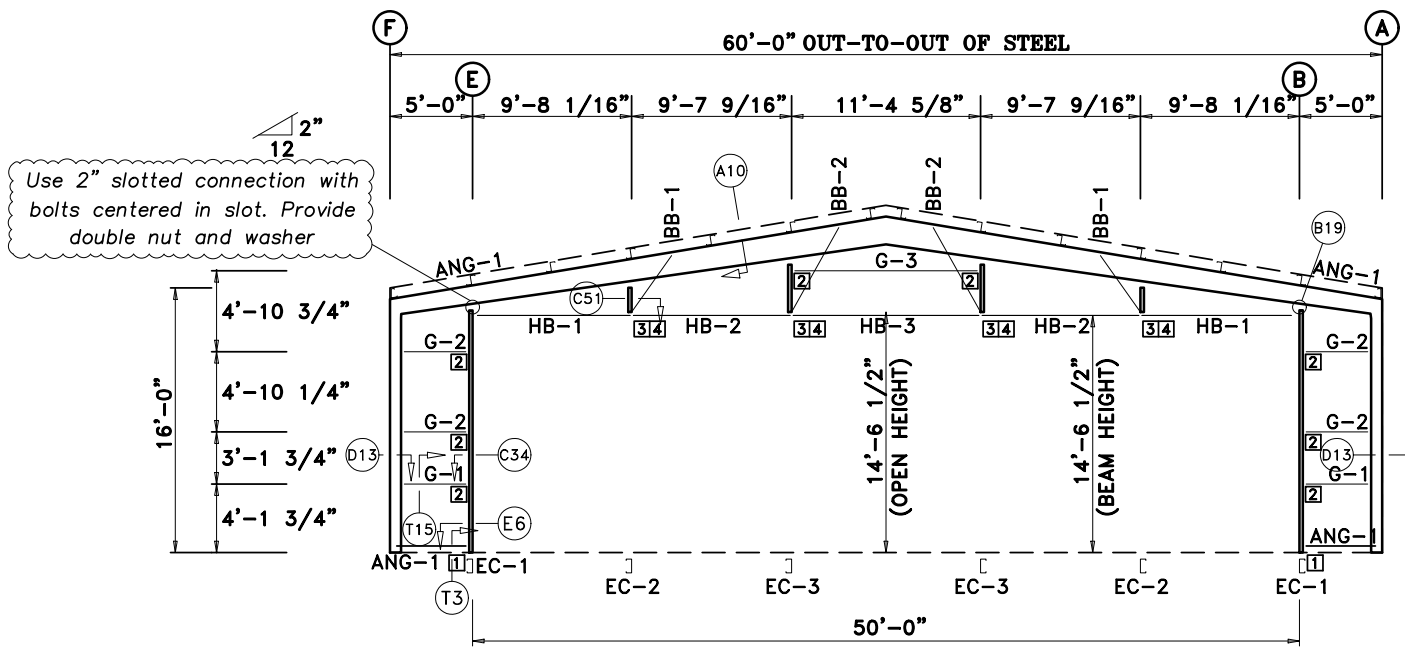
NOTE: If Trim Lap Is More Than 3" Long, The Trim May Not Cover The Required Coverage Length.

TRIM TABLE				
FRAME LINE 1				
ID	QUAN	PART	LENGTH	DETAIL
1	4	RAKER243	15'-7"	TRIM #3
2	1	PEAKBX-R	1'-2"	TRIM #15
3	2	WT-1	10'-3"	

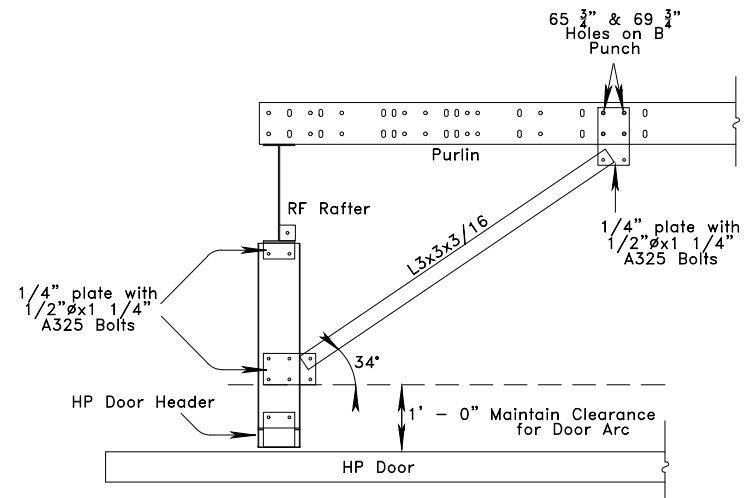
BOLT TABLE				
FRAME LINE 1				
LOCATION	QUAN	TYPE	DIA	LENGTH
Columns/Raf	4	A325	1/2"	1 1/4"
Back Braces	1	A325	1/2"	1 1/4"

MEMBER TABLE				
FRAME LINE 1				
QUAN	MARK	PART	LENGTH	
2	HB-1	8x35C16	9'-3 3/8"	
2	HB-2	8x35C16	9'-4 1/16"	
1	HB-3	8x35C16	11'-4 5/8"	
2	BB-1	L3X3X3/16		
2	BB-2	L3X3X3/16		
2	EC-1	8x35C16	14'-9 7/16"	
2	EC-2	8x35C16	1'-10 3/16"	
2	EC-3	8x35C16	3'-5 1/2"	
2	G-1	8x35C16	3'-11 3/4"	
4	G-2	8x25Z16	3'-11 3/4"	
1	G-3	8x25Z16	11'-4 5/8"	

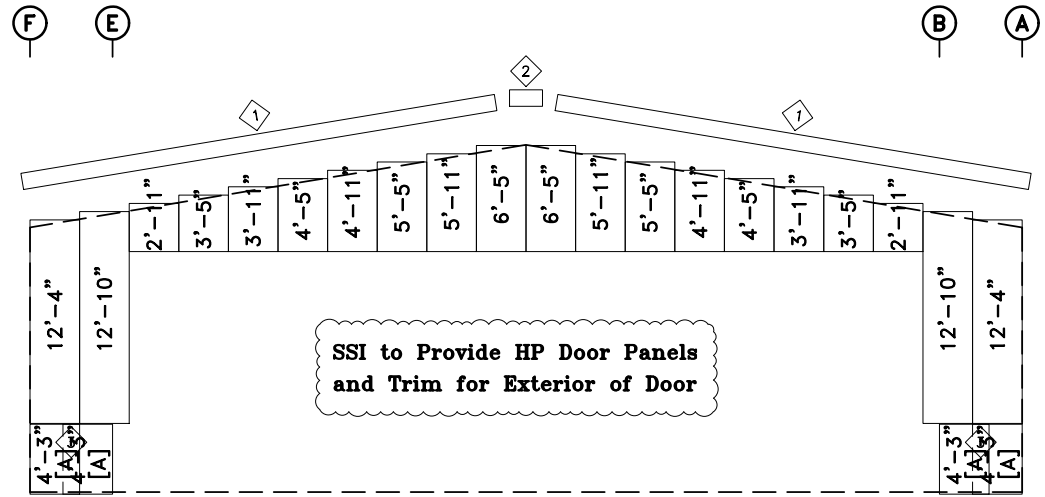
CONNECTION PLATES				
FRAME LINE 1				
ID	QUAN	MARK	PART	
1	2	C-104		
2	8	C-5		
3	4	r1		
4	4	r2		



ENDWALL FRAMING: FRAME LINE 1

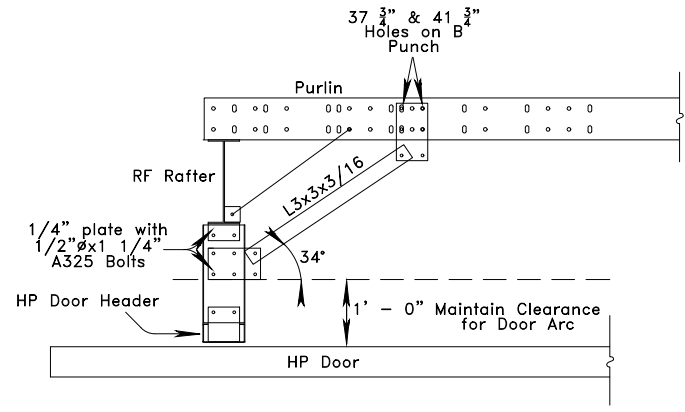


BB-2 CONNECTION DETAIL

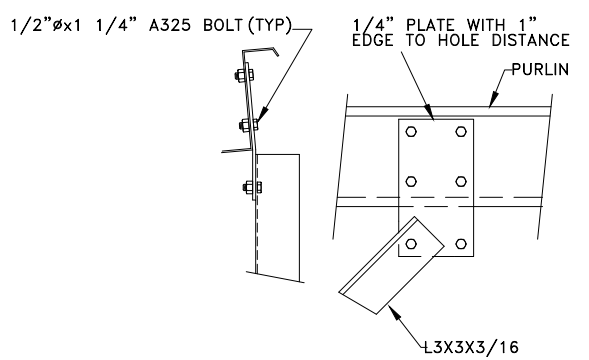


ENDWALL SHEETING & TRIM: FRAME LINE 1

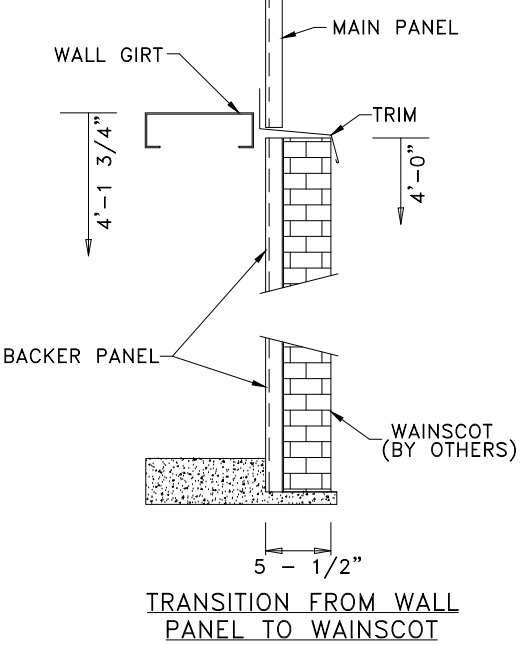
PANELS: 26 Ga. PBR - Light Stone
[A] PANELS: 26 Ga. PBR - Light Stone



BB-1 CONNECTION DETAIL



Note to detailer: Girts at 4'-1 3/4" height shall be 8x35C16 toed down.

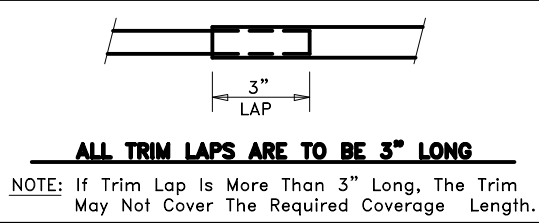


APPROVAL DRAWINGS

- APPROVED AS DRAWN
- APPROVED AS NOTED
- NOT APPROVED

____ INITIAL

Please Check And Approve All Dimensions And Conditions. STANDARD STRUCTURES Must Be Notified Of Any Changes.

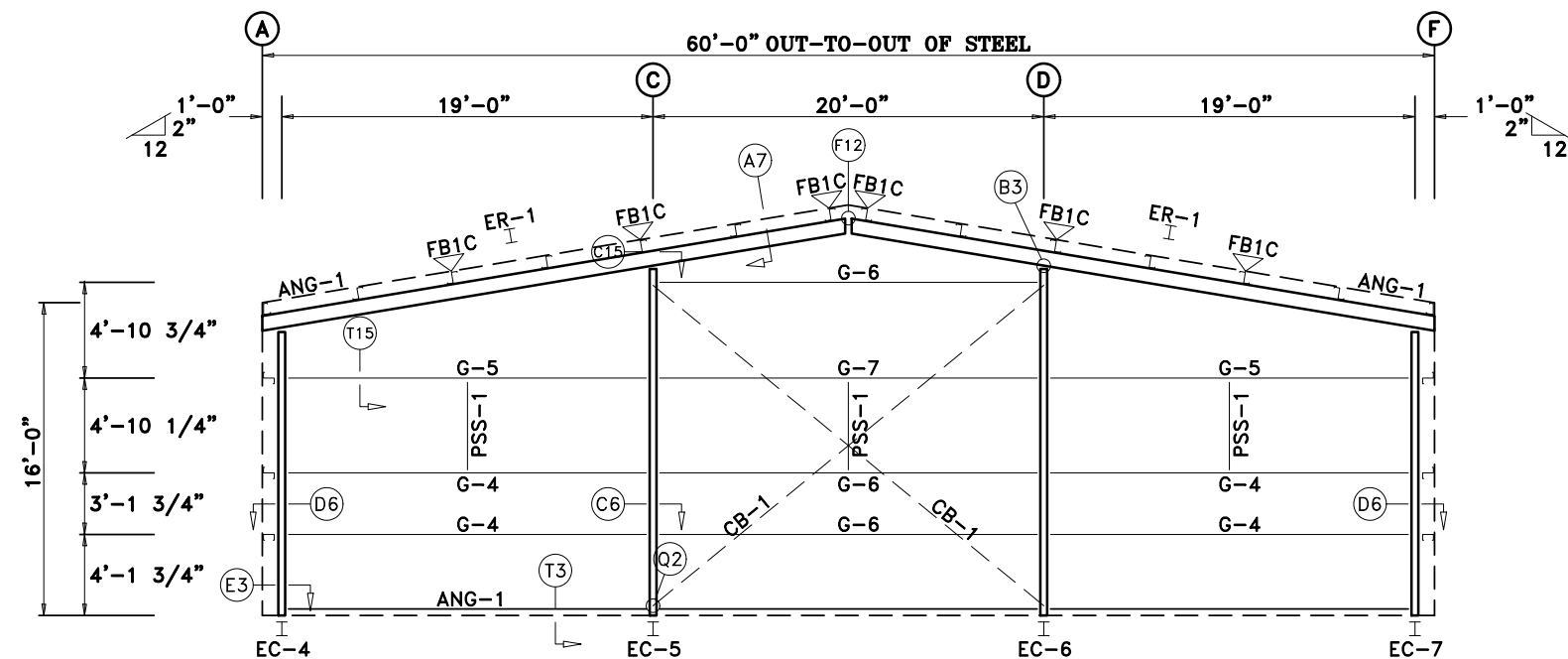


SSI STANDARD STRUCTURES INC.
MANUFACTURER OF METAL BUILDINGS & COMPONENTS
P.O. BOX 1912
ODESSA, TX. 79760
1-800-240-0335

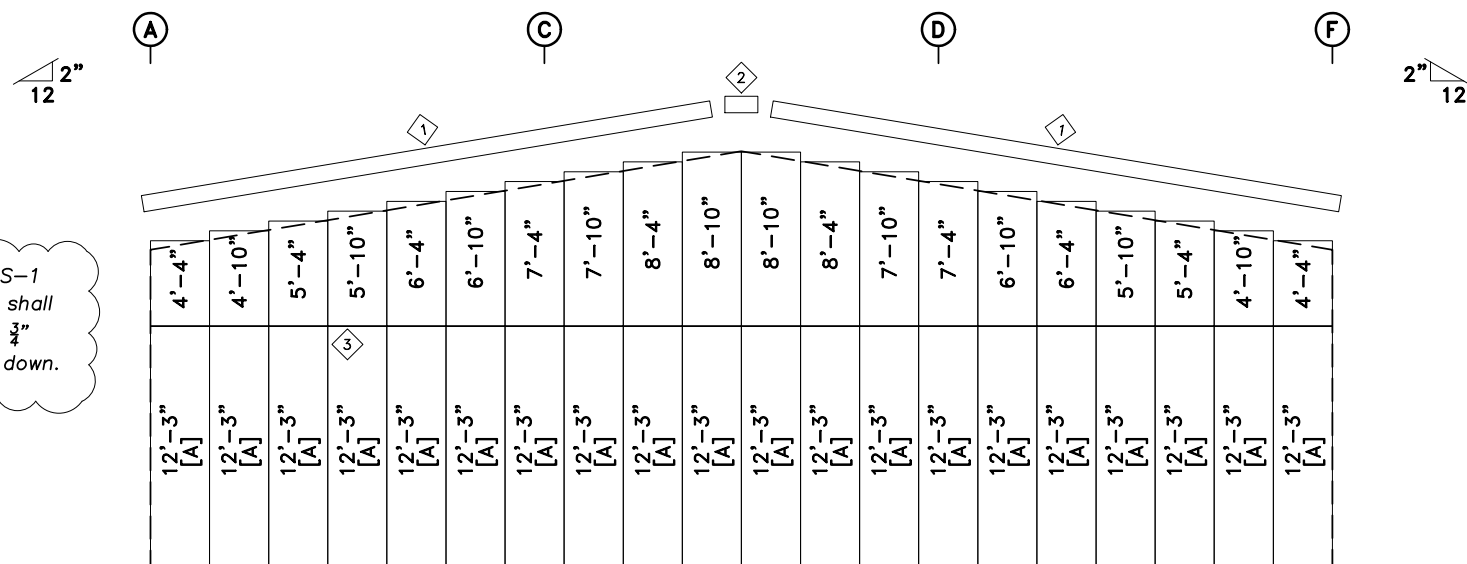
IAS
ACCREDITED™
Metal Building Systems
AC 472

APPROVAL & PERMIT

JOB NAME:	Richard Suess
PROJECT NAME:	Schlitter
JOB LOCATION:	Granbury, TX 76049
DRAWING TITLE:	ENDWALL DRAWING
DATE:	3/12/26
DET:	
JOB NO.:	26026
PG.:	E-7



ENDWALL FRAMING: FRAME LINE 3



ENDWALL SHEETING & TRIM: FRAME LINE 3

PANELS: 26 Ga. PBR - Light Stone
 [A] PANELS: 26 Ga. PBR - Light Stone

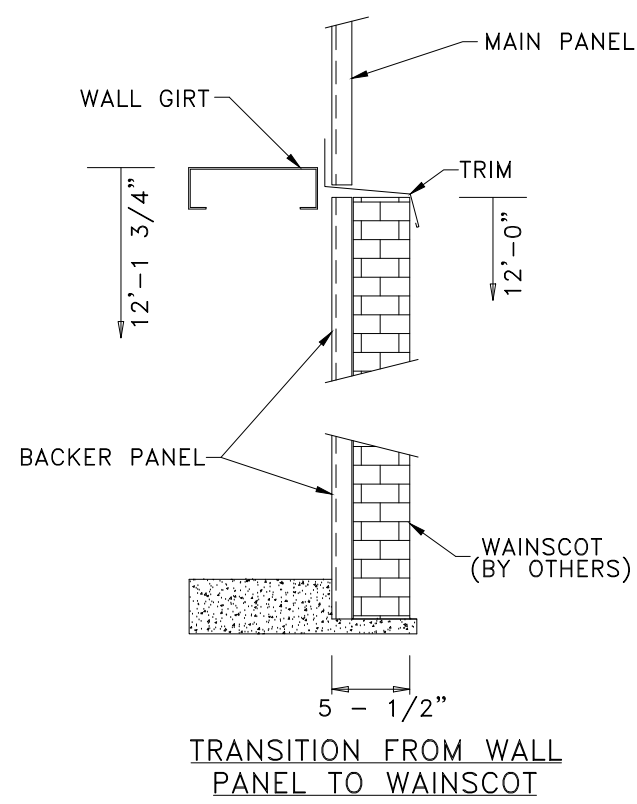
Note to detailer: provide PSS-1 blocking where shown. PSS-1 shall be 8x35C16. Girts at 12'-1 3/4" height shall be 8x35C16 toed down.

TRIM TABLE				
FRAME LINE 3				
ID	QUAN	PART	LENGTH	DETAIL
1	4	RAKER243	15'-7"	TRIM #3
2	1	PEAKBX-R	1'-2"	TRIM #15
3	6	WT-1	10'-3"	

BOLT TABLE				
FRAME LINE 3				
LOCATION	QUAN	TYPE	DIA	LENGTH
ER-1/ER-1	4	A325	5/8"	1 3/4"
Columns/Raf	4	A325	1/2"	1 1/4"

MEMBER TABLE				
FRAME LINE 3				
QUAN	MARK	PART	LENGTH	
1	EC-4	W8X10	14'-10 1/4"	
1	EC-5	W8X10	18'-0 1/4"	
1	EC-6	W8X10	18'-0 1/4"	
1	EC-7	W8X10	14'-10 1/4"	
2	ER-1	W8X10	30'-4 15/16"	
4	G-4	8x25Z16	18'-7 1/2"	
2	G-5	8x35C16	18'-7 1/2"	
3	G-6	8x25Z16	19'-7 1/2"	
1	G-7	8x35C16	19'-7 1/2"	
2	CB-1	1/4_CBL	24'-8"	

FLANGE BRACE TABLE				
FRAME LINE 3				
ID	QUAN	MARK	LENGTH	
1	6	FB1C	2'-5"	

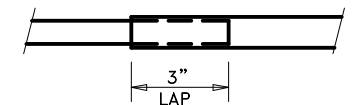


TRANSITION FROM WALL PANEL TO WAINSCOT

APPROVAL DRAWINGS

- APPROVED AS DRAWN
 - APPROVED AS NOTED
 - NOT APPROVED
- ____ INITIAL

Please Check And Approve All Dimensions And Conditions. STANDARD STRUCTURES Must Be Notified Of Any Changes.



ALL TRIM LAPS ARE TO BE 3" LONG

NOTE: If Trim Lap Is More Than 3" Long, The Trim May Not Cover The Required Coverage Length.

SSI STANDARD STRUCTURES INC.
 MANUFACTURER OF METAL BUILDINGS & COMPONENTS
 P.O. BOX 1912
 ODESSA, TX. 79760
 1-800-240-0335

IAS
 ACCREDITED™
 Metal Building Systems
 AC 472

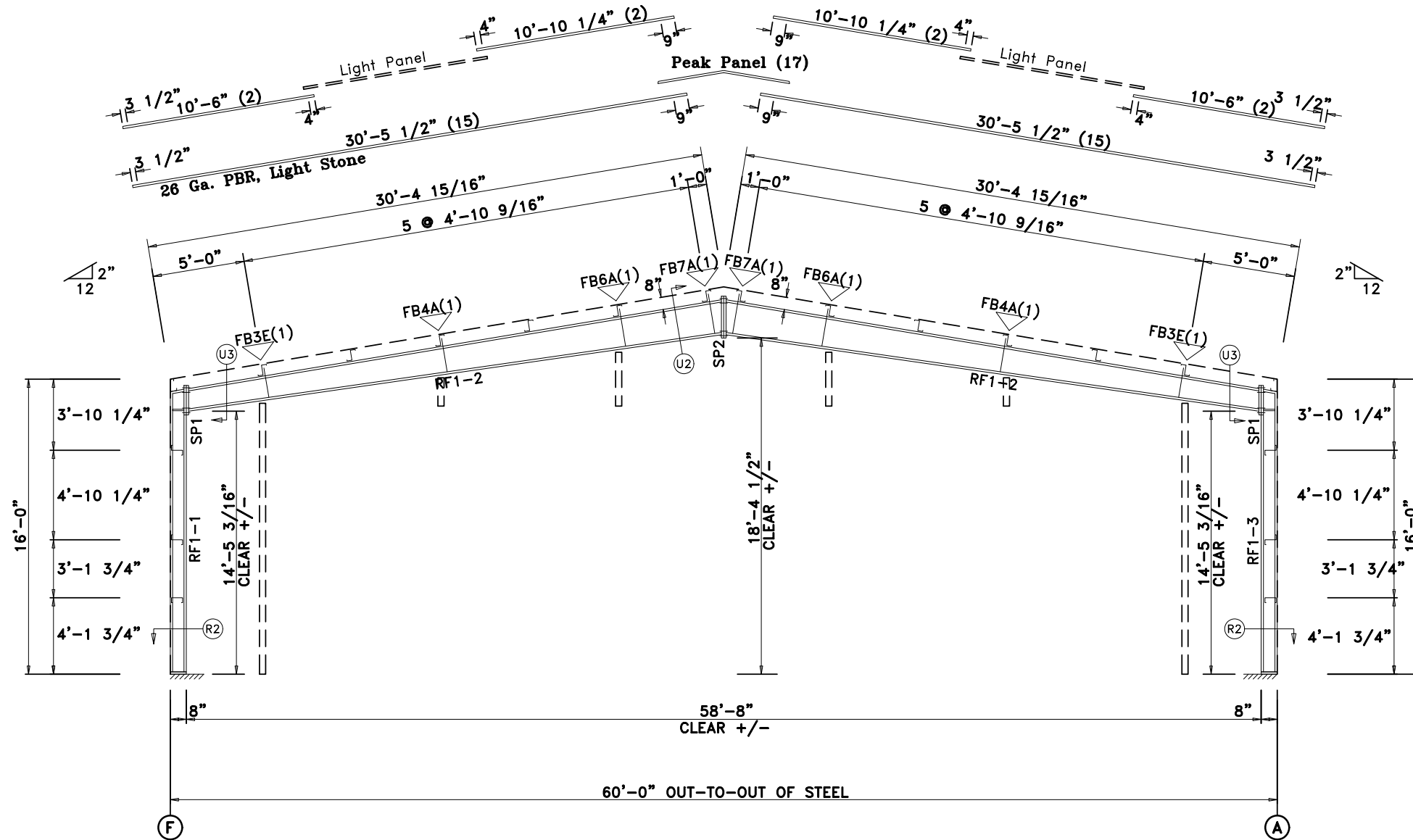
APPROVAL & PERMIT

JOB NAME: Richard Suess
 PROJECT NAME: Schlitter
 JOB LOCATION: Granbury, TX 76049
 DRAWING TITLE: *ENDWALL DRAWING*
 DATE: 3/12/26 DET: JOB NO.: 26026 PG.: E-8

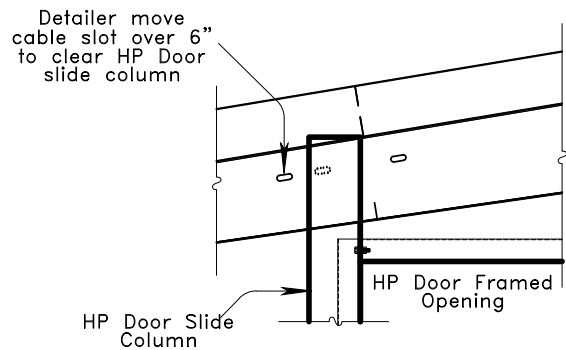
SPLICE PLATE & BOLT TABLE									
Mark	Qty		Int	Type	Dia	Length	Width	Thick	Length
	Top	Bot							
SP1	4	4	0	A325	3/4"	2"	6"	1 1/2"	1'-6 1/2"
SP2	4	4	0	A325	5/8"	1 3/4"	6"	3/8"	2'-2 1/2"

MEMBER TABLE								
Mark	Web Depth		Web Plate		Outside Flange		Inside Flange	
	Start/End	Thick	Length	Thick	W x Thk x Length	W x Thk x Length		
RF1-1	7.4/ 7.4	0.135	160.5		6 x 1/4" x 183.3	6 x 5/16" x 169.6		
	7.4/ 7.4	0.250	24.0		6 x 1/4" x 7.8	6 x 1/4" x 354.5		
RF1-2	11.5/14.2	0.135	117.7		6 x 1/4" x 355.7	6 x 1/4" x 354.5		
	14.2/19.5	0.135	240.0					
RF1-3	7.4/ 7.4	0.250	24.0		6 x 1/4" x 7.8	6 x 5/16" x 169.6		
	7.4/ 7.4	0.135	160.5		6 x 1/4" x 183.3			

▽ FLANGE BRACES: Both Sides(U.N.)
 FBxxE(1)
 E - F3X3X316 (Use 1/2" A325 Bolts)
 A - F2X2X14g



RIGID FRAME SECTION: FRAME LINE 1



APPROVAL DRAWINGS

- APPROVED AS DRAWN
- APPROVED AS NOTED
- NOT APPROVED

____ INITIAL

Please Check And Approve All Dimensions
 And Conditions. STANDARD STRUCTURES
 Must Be Notified Of Any Changes.

SSI STANDARD STRUCTURES INC.
 MANUFACTURER OF METAL BUILDINGS & COMPONENTS

P.O. BOX 1912
 ODESSA, TX. 79760
 1-800-240-0335



ACCREDITED™
 Metal Building Systems
 AC 472

APPROVAL & PERMIT

JOB NAME: Richard Suess

PROJECT NAME: Schlitter

JOB LOCATION: Granbury, TX 76049

DRAWING TITLE: RIGID FRAME SECTION

DATE: 3/12/26

DET:

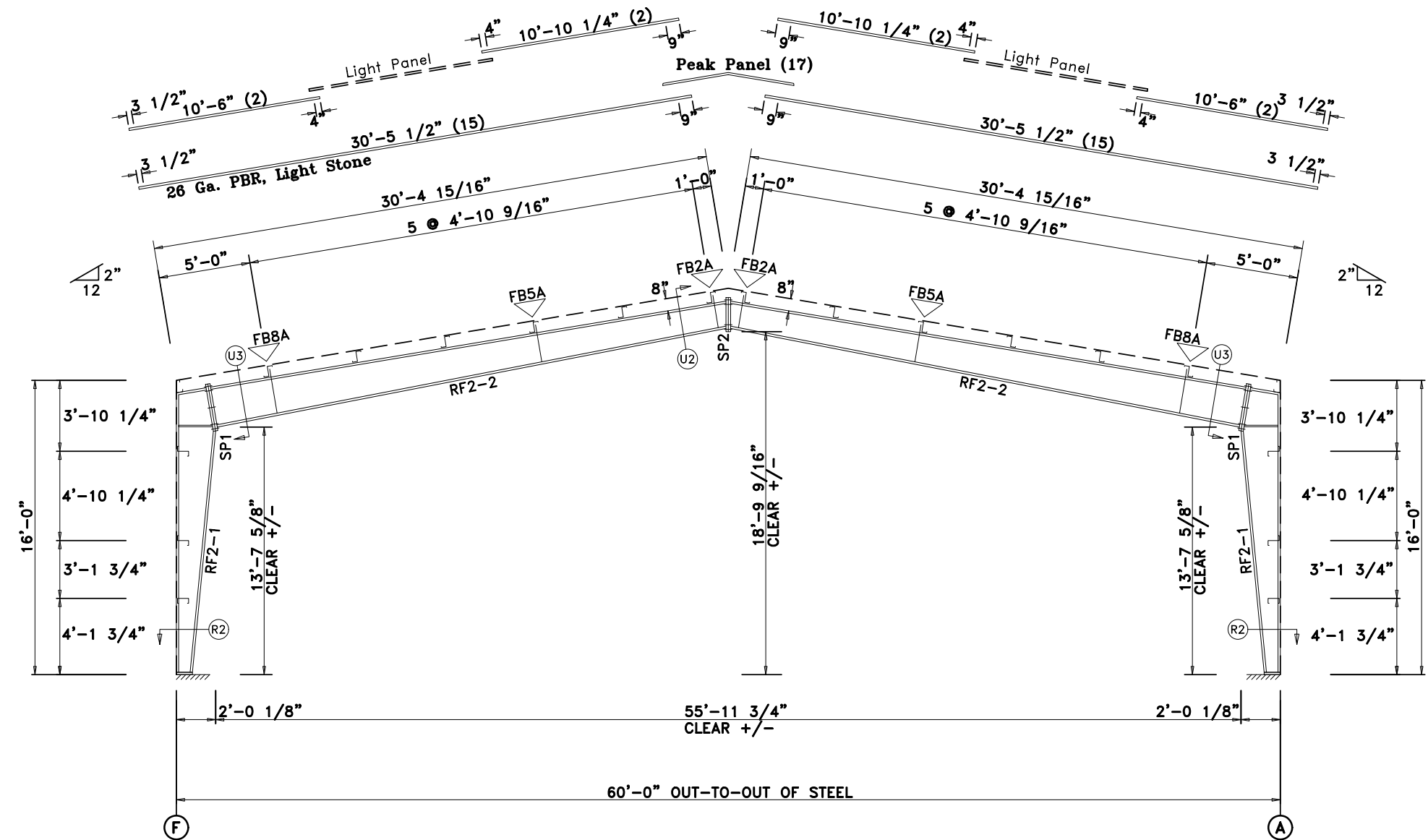
JOB NO.: 26026

PG.: E-9

SPLICE PLATE & BOLT TABLE									
Mark	Qty		Int	Type	Dia	Length	Width	Thick	Length
	Top	Bot							
SP1	4	4	2	A325	3/4"	2"	6"	1/2"	2'-6 1/2"
SP2	4	4	0	A325	5/8"	1 3/4"	6"	3/8"	1'-9 1/2"

MEMBER TABLE										
Mark	Web Depth		Web Plate		Outside Flange			Inside Flange		
	Start	End	Thick	Length	W	Thk	Length	W	Thk	Length
RF2-1	7.4	23.5	0.188	186.5	6	1/4"	x 183.3	6	3/8"	x 160.7
RF2-2	23.5	20.8	0.188	104.0	6	1/4"	x 19.6	6	1/4"	x 344.0
	20.8	14.5	0.135	240.0	6	1/4"	x 344.0	6	1/4"	x 341.6

▽ FLANGE BRACES: Both Sides(U.N.)
 FBxxA(1)
 A - F2X2X14g



RIGID FRAME SECTION: FRAME LINE 2

APPROVAL DRAWINGS

- APPROVED AS DRAWN
 - APPROVED AS NOTED
 - NOT APPROVED
- ____ INITIAL

Please Check And Approve All Dimensions
 And Conditions. STANDARD STRUCTURES
 Must Be Notified Of Any Changes.

SSI STANDARD STRUCTURES INC.
 MANUFACTURER OF METAL BUILDINGS & COMPONENTS
 P.O. BOX 1912
 ODESSA, TX. 79760
 1-800-240-0335

IAS
 ACCREDITED™
 Metal Building Systems
 AC 472

APPROVAL & PERMIT

JOB NAME: Richard Suess
 PROJECT NAME: Schlitter
 JOB LOCATION: Granbury, TX 76049
 DRAWING TITLE: RIGID FRAME SECTION
 DATE: 3/12/26 DET: JOB NO.: 26026 PG.: E-10