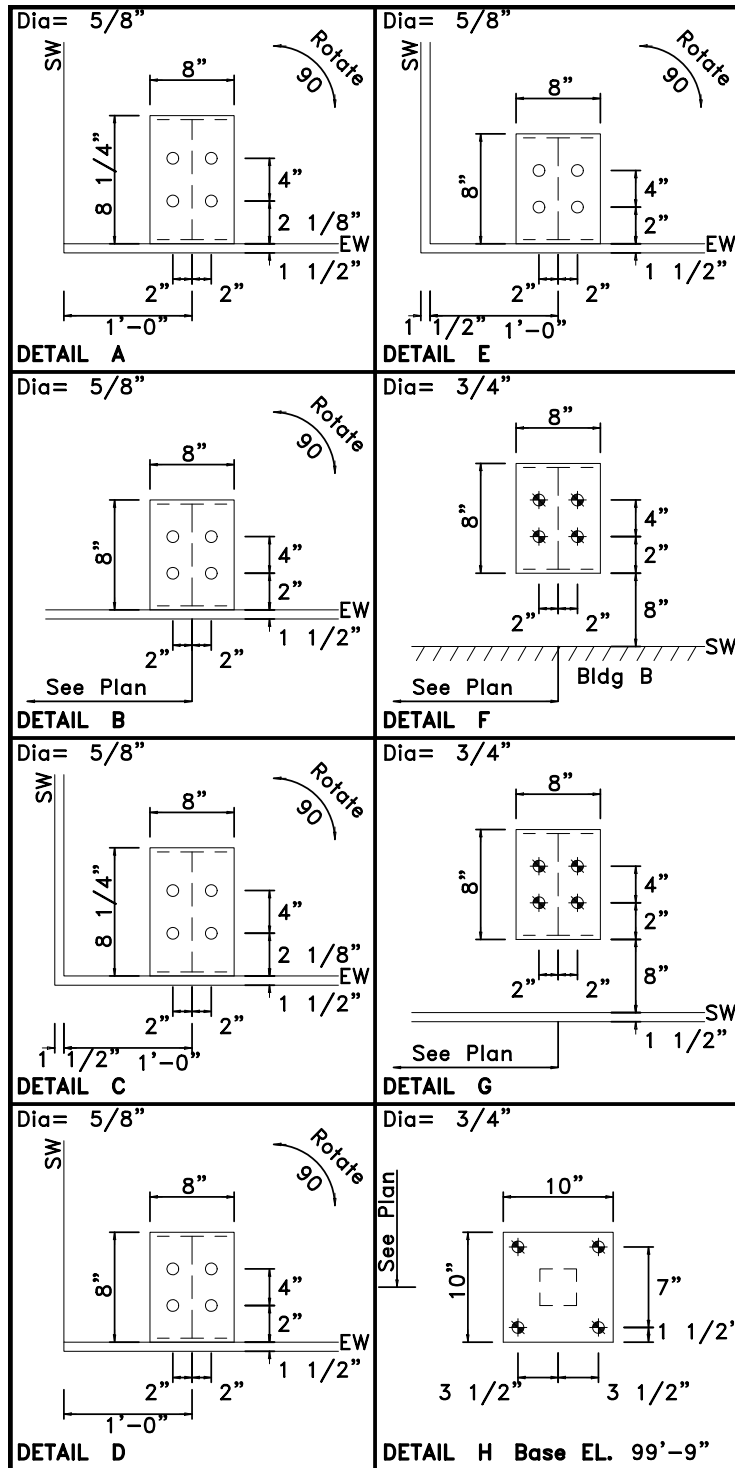


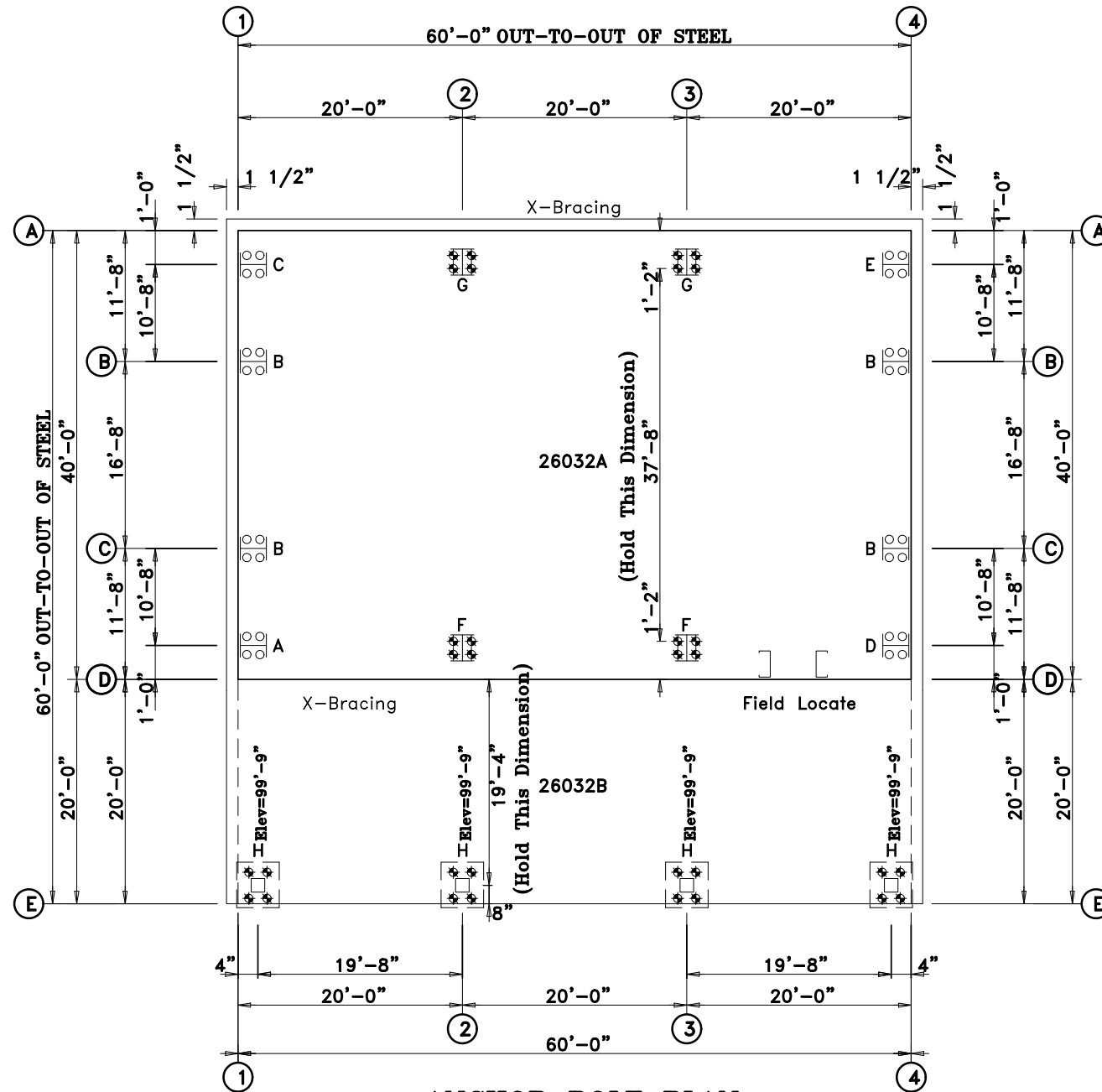
Standard Structures, Inc.

Job# 26032
Final Design

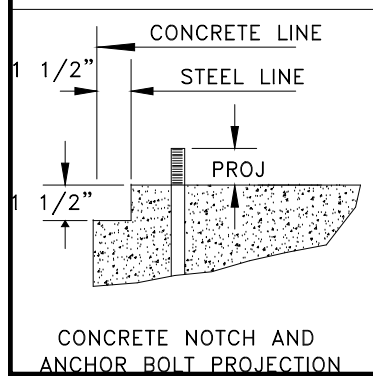


ANCHOR BOLT SUMMARY

Qty	Locate	Dia (in)	Type	Proj (in)
○ 32	Endwall	5/8"	A307	1.50
⊕ 32	Frame	3/4"	A307	2.00



ANCHOR BOLT PLAN
NOTE: All Base Plates @ 100'-0" (U.N.)



APPROVAL DRAWINGS

APPROVED AS DRAWN
 APPROVED AS NOTED
 NOT APPROVED

____ INITIAL

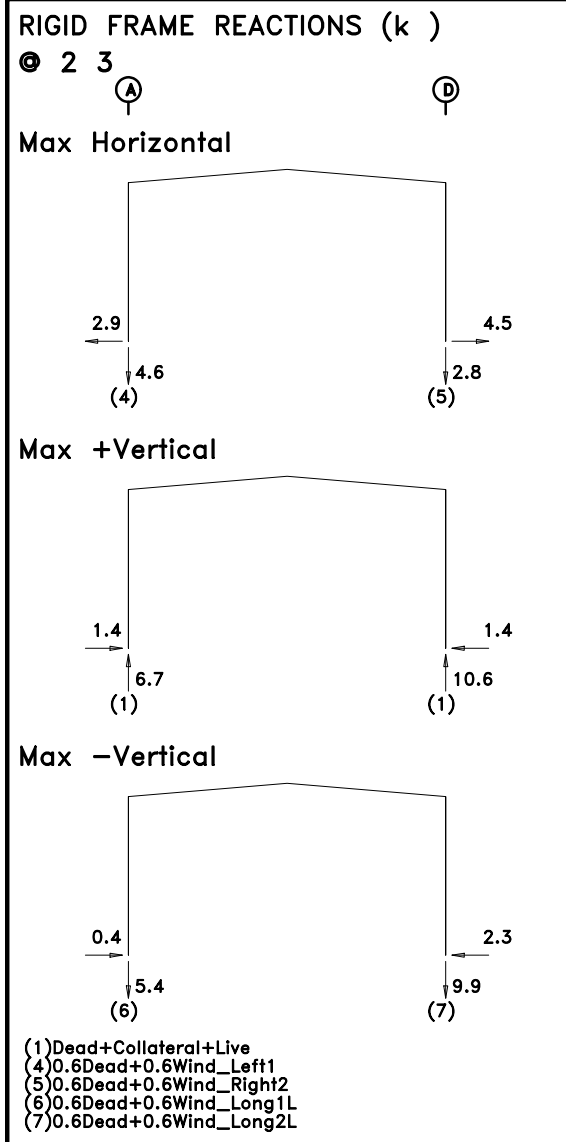
Please Check And Approve All Dimensions And Conditions. STANDARD STRUCTURES Must Be Notified Of Any Changes.

SSI STANDARD STRUCTURES INC.
MANUFACTURER OF METAL BUILDINGS & COMPONENTS
P.O. BOX 1912
ODESSA, TX. 79760
1-800-240-0335

IAS
ACCREDITED™
Metal Building Systems
AC 472

APPROVAL & PERMIT

JOB NAME: DCI Metal Buildings
PROJECT NAME: LNIS Building-#5-Maintenance
JOB LOCATION: Ponder, TX 76259
DRAWING TITLE: ANCHOR BOLT PLAN
DATE: 3/19/26 DET: JOB NO.: 26032 PG.: E-1



NOTES FOR REACTIONS BLDG A

Building reactions are based on the following building data:

Width	(ft)	=	40.0
Length	(ft)	=	60.0
Eave Height	(ft)	=	20.0/ 20.0
Roof Slope	(rise/12)	=	1.00/ 1.00
Roof Dead Load	(psf)	=	2.5
Roof Live Load	(psf)	=	20.0
Frame Live Load	(psf)	=	12.0
Collateral Load	(psf)	=	1.0
Snow Load	(psf)	=	3.5
Minimum Snow	(psf)	=	5.0
Wind Speed	(mph)	=	106.0
Wind Code		=	2021 IBC
Exposure		=	C
Closure		=	Enclosed
Internal Wind Coeff		=	-0.18, +0.18
Risk Category		=	II - Normal
Importance - Seismic		=	1.00
Seismic Design Category		=	B
Seismic Coeff (Sms)		=	0.19

BUILDING BRACING REACTIONS

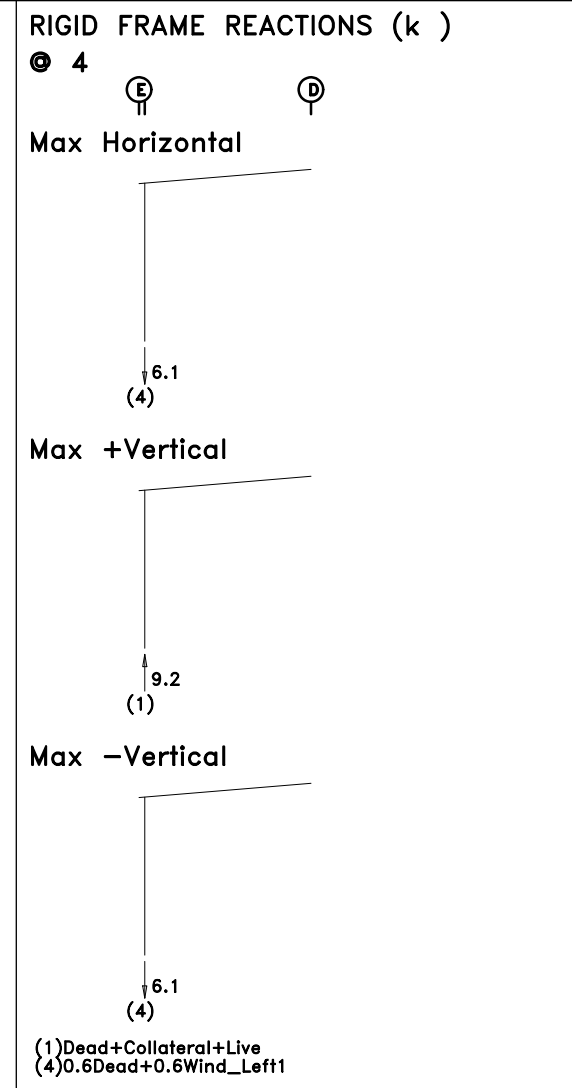
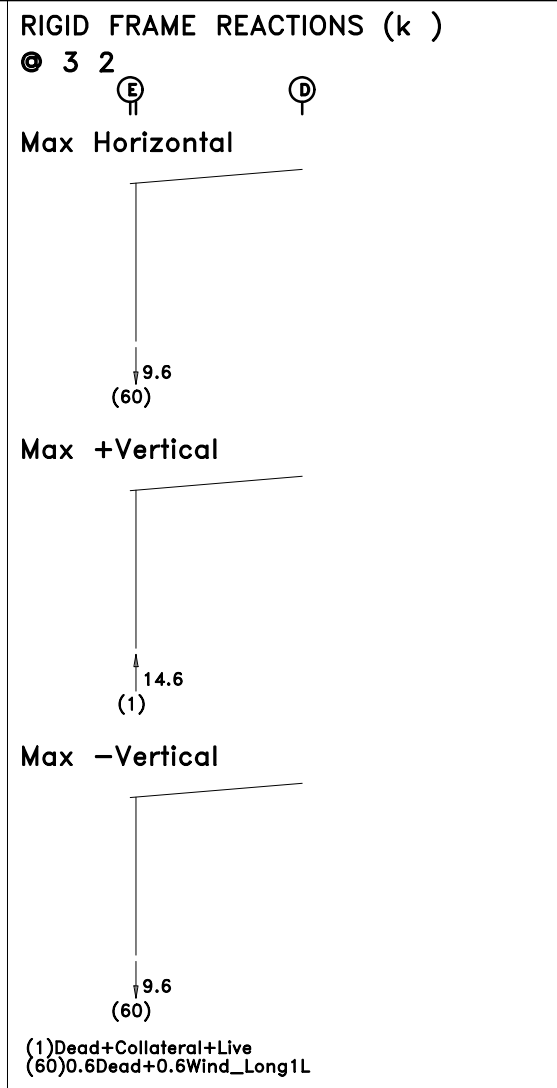
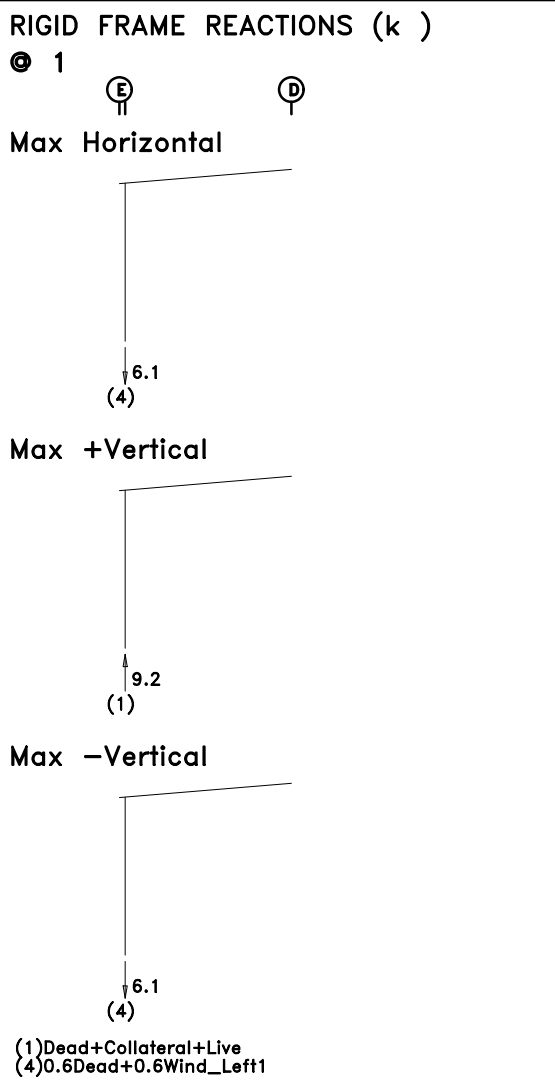
Wall Loc	Col Line	± Reactions(k)				Panel_Shear (lb/ft)	
		0.6Wind		Seismic		0.6Wind	Seis
		Horz	Vert	Horz	Vert		
L_EW	1					52	7
F_SW	D	1,2	5.3	4.9	0.4	0.3	
R_EW	4					31	4
B_SW	A	3,2	2.1	1.9	0.4	0.3	

Reactions for seismic represent shear force, Eh

ENDWALL COLUMN REACTIONS(k)

Frame Line	Col Line	Load Id
1	D	Max Horz = -6.0 Vert = -5.2 (12)
1	D	Max +Vert = 6.7 Horz = 0.6 (14)
1	D	Max -Vert = -5.2 Horz = -6.0 (12)

(12)0.6Dead+0.6Wind_Pressure+0.6Wind_Long2L
 (14)Dead+Collateral+0.75Live+0.45Wind_Left2+0.45Wind_Suction



NOTES FOR REACTIONS BLDG B

Building reactions are based on the following building data:

Width	(ft)	=	20.0
Length	(ft)	=	60.0
Eave Height	(ft)	=	18.3/ 20.0
Roof Slope	(rise/12)	=	1.00
Roof Dead Load	(psf)	=	2.5
Roof Live Load	(psf)	=	20.0
Frame Live Load			
Min	(psf)	=	19.9
Max	(psf)	=	20.0
Collateral Load	(psf)	=	1.0
Snow Load	(psf)	=	4.2
Minimum Snow	(psf)	=	5.0
Wind Speed	(mph)	=	106.0
Wind Code		=	IBC 21
Exposure		=	C
Closure		=	Partially Enclosed
Internal Wind Coeff		=	-0.55, +0.55
Risk Category		=	II - Normal
Importance - Seismic		=	1.00
Seismic Design Category		=	B
Seismic Coeff (Sms)		=	0.19

BUILDING BRACING REACTIONS

Wall Loc	Col Line	± Reactions(k)				Panel_Shear (lb/ft)	
		0.6Wind		Seismic		Wind	Seis
		Horz	Vert	Horz	Vert		
L_EW	4						
F_SW	D						
R_EW	1						
B_SW	E						

Reactions for seismic represent shear force, Eh

APPROVAL DRAWINGS

APPROVED AS DRAWN
 APPROVED AS NOTED
 NOT APPROVED

____ INITIAL

Please Check And Approve All Dimensions And Conditions. STANDARD STRUCTURES Must Be Notified Of Any Changes.

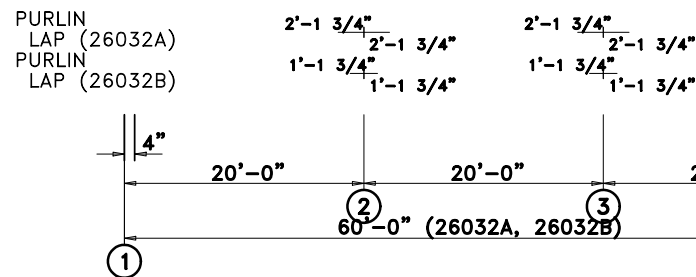
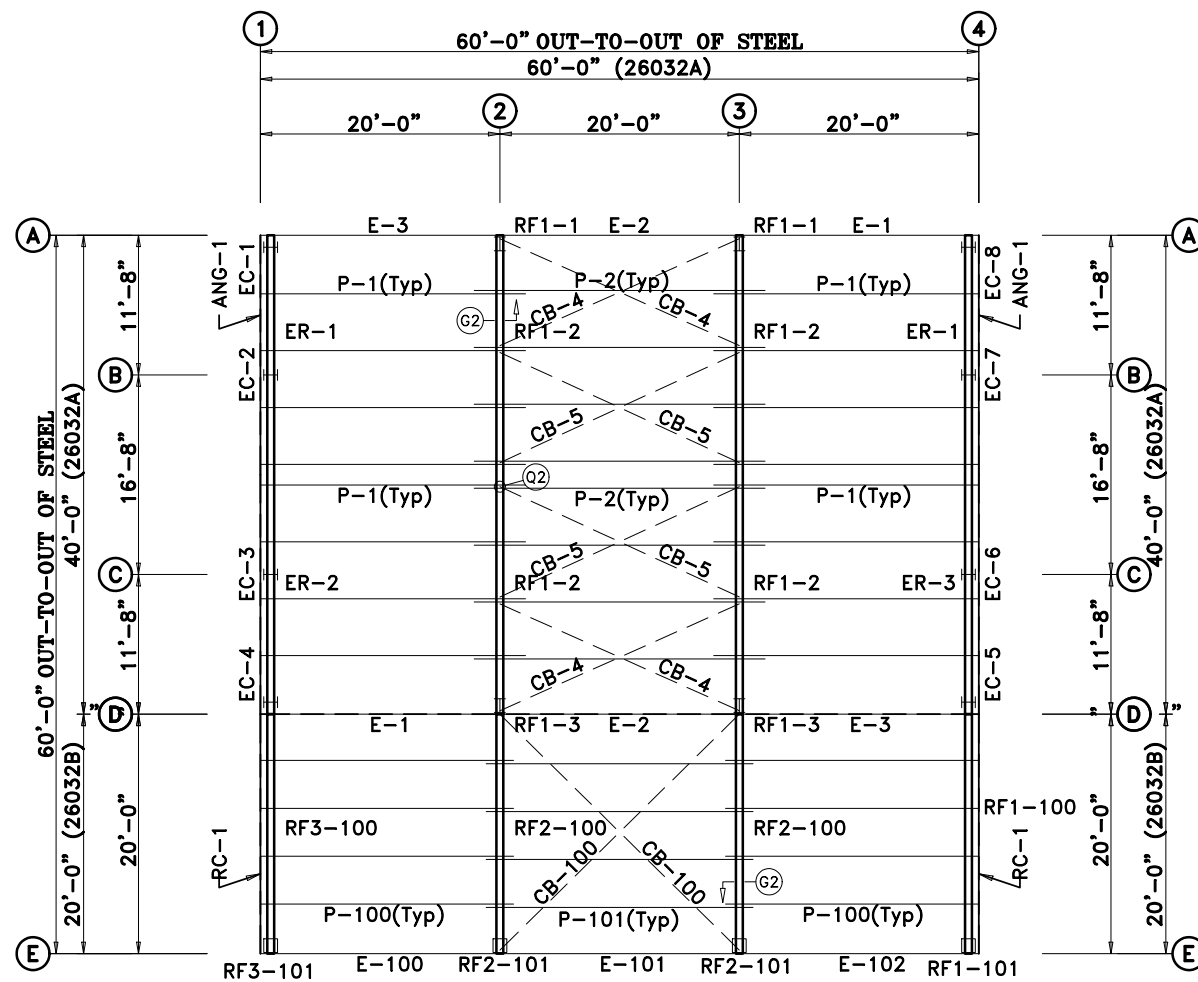
SSI STANDARD STRUCTURES INC.
 MANUFACTURER OF METAL BUILDINGS & COMPONENTS

P.O. BOX 1912
 ODESSA, TX. 79760
 1-800-240-0335

IAS
 ACCREDITED™
 Metal Building Systems
 AC 472

APPROVAL & PERMIT

JOB NAME: DCI Metal Buildings
 PROJECT NAME: LNIS Building-#5-Maintenance
 JOB LOCATION: Ponder, TX 76259
 DRAWING TITLE: ANCHOR BOLT REACTIONS
 DATE: 3/19/26 DET: JOB NO.: 26032 PG.: E-2



ROOF FRAMING PLAN

MEMBER TABLE			
ROOF PLAN			
QUAN	MARK	PART	LENGTH
26032A			
16	P-1	8x25Z16	22'-1 1/2"
8	P-2	8x25Z16	24'-3 1/2"
2	E-1	8LEDS14	19'-11 1/2"
2	E-2	8LEDS14	19'-11 1/2"
2	E-3	8LEDS14	19'-11 1/2"
4	CB-4	1/4_CBL	19'-11"
4	CB-5	1/4_CBL	20'-4"
26032B			
8	P-100	8x25Z16	21'-1 1/2"
4	P-101	8x25Z16	22'-3 1/2"
1	E-100	8LEDS14	19'-11 1/2"
1	E-101	8LEDS14	19'-11 1/2"
1	E-102	8LEDS14	19'-11 1/2"
2	CB-100	1/4_CBL	26'-2"

APPROVAL DRAWINGS

- APPROVED AS DRAWN
- APPROVED AS NOTED
- NOT APPROVED

____ INITIAL

Please Check And Approve All Dimensions
And Conditions. STANDARD STRUCTURES
Must Be Notified Of Any Changes.

SSI STANDARD STRUCTURES INC.
MANUFACTURER OF METAL BUILDINGS & COMPONENTS

P.O. BOX 1912
ODESSA, TX. 79760
1-800-240-0335



ACCREDITED™
Metal Building Systems
AC 472

APPROVAL & PERMIT

JOB NAME: DCI Metal Buildings

PROJECT NAME: LNIS Building-#5-Maintenance

JOB LOCATION: Ponder, TX 76259

DRAWING TITLE: ROOF FRAMING

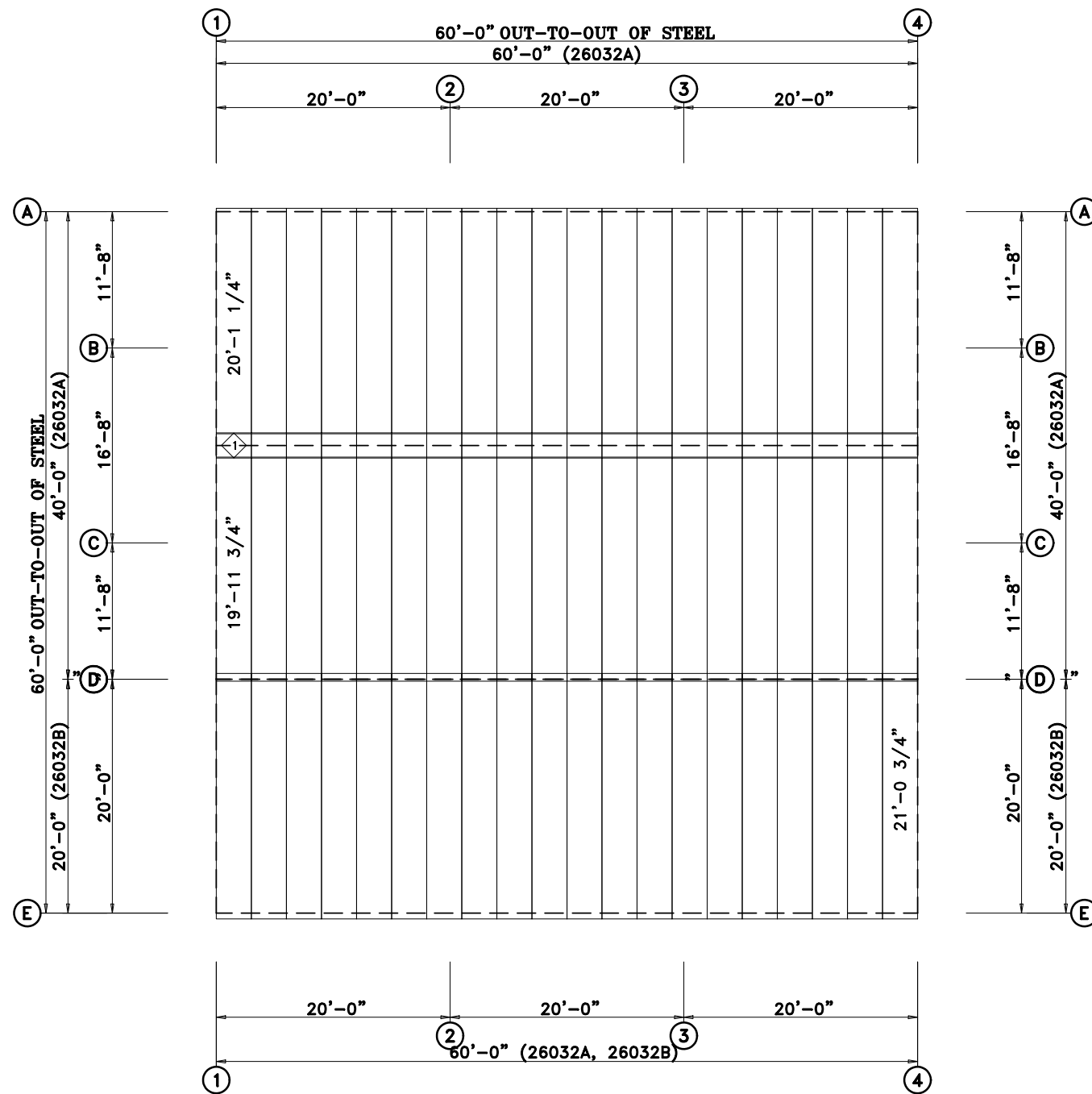
DATE: 3/19/26

DET:

JOB NO.: 26032

PG.: E-3

TRIM TABLE				
ROOF PLAN				
ID	QUAN	PART	LENGTH	DETAIL
1	20	PEAK 26R	3'-0"	TRIM #1



ROOF SHEETING PLAN
 PANELS: 26 Ga. PBR - Galvalume Plus

ALL TRIM LAPS ARE TO BE 3" LONG

NOTE: If Trim Lap Is More Than 3" Long, The Trim May Not Cover The Required Coverage Length.

APPROVAL DRAWINGS

APPROVED AS DRAWN
 APPROVED AS NOTED
 NOT APPROVED

____ INITIAL

Please Check And Approve All Dimensions And Conditions. STANDARD STRUCTURES Must Be Notified Of Any Changes.

SSI STANDARD STRUCTURES INC.
 MANUFACTURER OF METAL BUILDINGS & COMPONENTS

P.O. BOX 1912
 ODESSA, TX. 79760
 1-800-240-0335

IAS

ACCREDITED™
 Metal Building Systems
 AC 472

APPROVAL & PERMIT

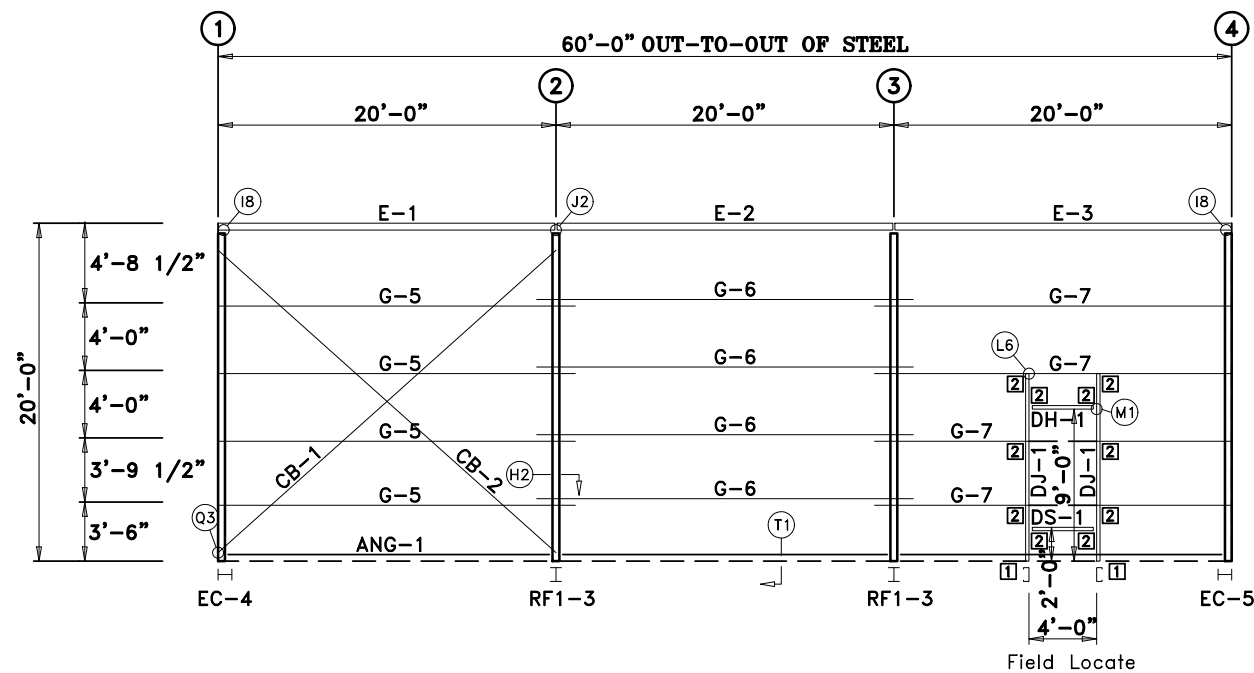
JOB NAME: DCI Metal Buildings

PROJECT NAME: LNIS Building-#5-Maintenance

JOB LOCATION: Ponder, TX 76259

DRAWING TITLE: *ROOF SHEETING*

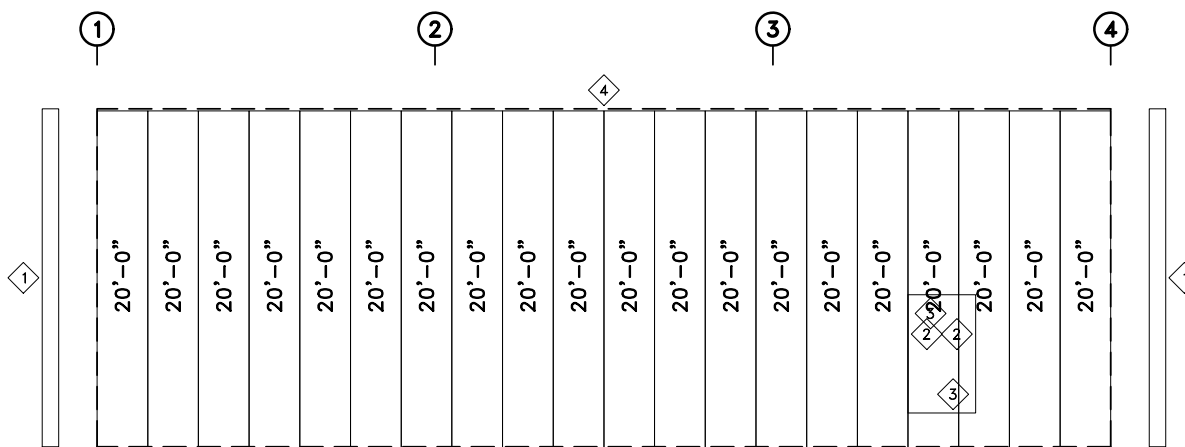
DATE: 3/19/26 DET: JOB NO.: 26032 PG.: E-4



GIRT LAPS

1'-1 3/4" 1'-1 3/4" 1'-1 3/4" 1'-1 3/4"

SIDEWALL FRAMING: FRAME LINE D



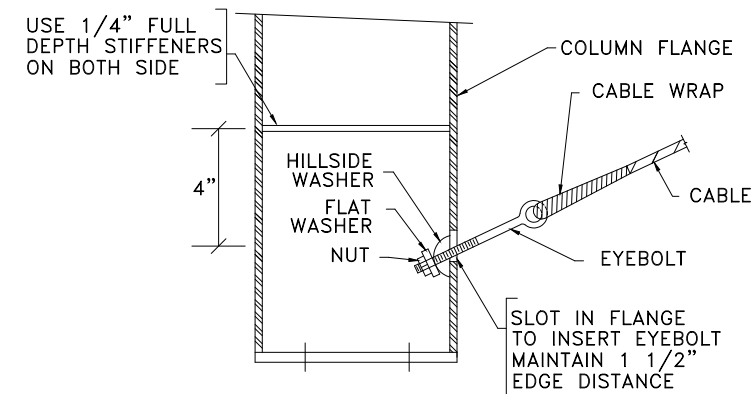
SIDEWALL SHEETING & TRIM: FRAME LINE D

PANELS: 26 Ga. PBR - Charcoal Gray

TRIM TABLE				
FRAME LINE D				
ID	QUAN	PART	LENGTH	DETAIL
1	2	CRNTR243	20'-1"	TRIM_2
2	2	JMBTR243	7'-4"	TRIM_6
3	2	HEADR243	4'-4"	TRIM_8
4	6	EAVR123	10'-3"	TRIM_57

MEMBER TABLE				
FRAME LINE D				
QUAN	MARK	PART	LENGTH	
2	DJ-1	8x35C16	10'-11 3/4"	
1	DH-1	8x35C16	4'-0"	
1	DS-1	8x35C16	4'-0"	
1	E-1	8LEDS14	19'-11 1/2"	
1	E-2	8LEDS14	19'-11 1/2"	
1	E-3	8LEDS14	19'-11 1/2"	
4	G-5	8x25Z16	21'-1 1/2"	
4	G-6	8x25Z16	22'-3 1/2"	
4	G-7	8x25Z14	21'-1 1/2"	
1	G-1	3/8_CBL	24'-10"	
1	CB-2	3/8_CBL	25'-2"	

CONNECTION PLATES			
FRAME LINE D			
ID	QUAN	MARK/PART	
1	2	C-104	
2	10	C-5	



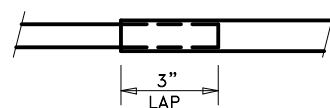
Q3 CABLE BRACE DETAIL

APPROVAL DRAWINGS

- APPROVED AS DRAWN
- APPROVED AS NOTED
- NOT APPROVED

____ INITIAL

Please Check And Approve All Dimensions And Conditions. STANDARD STRUCTURES Must Be Notified Of Any Changes.



ALL TRIM LAPS ARE TO BE 3" LONG

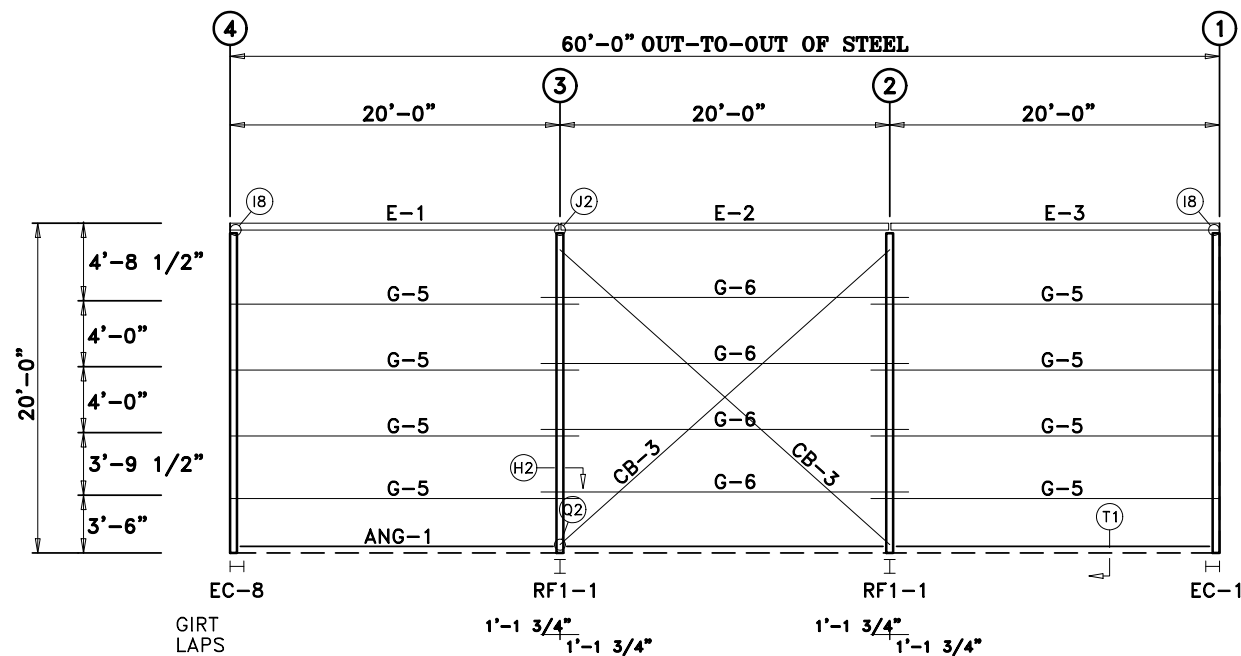
NOTE: If Trim Lap Is More Than 3" Long, The Trim May Not Cover The Required Coverage Length.

SSI STANDARD STRUCTURES INC.
 MANUFACTURER OF METAL BUILDINGS & COMPONENTS
 P.O. BOX 1912
 ODESSA, TX. 79760
 1-800-240-0335

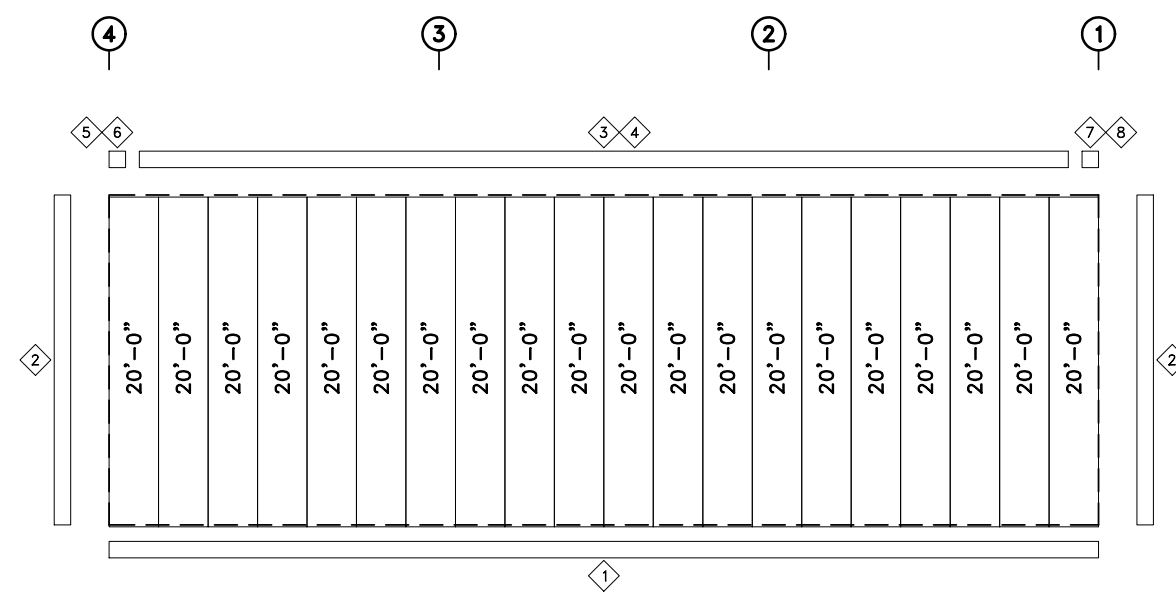
IAS
 ACCREDITED™
 Metal Building Systems
 AC 472

APPROVAL & PERMIT

JOB NAME: DCI Metal Buildings
 PROJECT NAME: LNIS Building-#5-Maintenance
 JOB LOCATION: Ponder, TX 76259
 DRAWING TITLE: *SIDEWALL FRAMING*
 DATE: 3/19/26 DET: _____ JOB NO.: 26032 PG.: E-5



SIDEWALL FRAMING: FRAME LINE A



SIDEWALL SHEETING & TRIM: FRAME LINE A
 PANELS: 26 Ga. PBR - Charcoal Gray

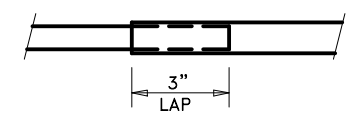
TRIM TABLE				
FRAME LINE A				
ID	QUAN	PART	LENGTH	DETAIL
1	6	BASETRIM	10'-3"	
2	2	CRNTR243	20'-1"	TRIM_2
3	3	GUTT243	20'-2"	TRIM_5
4	6	BACKSPLS	10'-3"	
5	1	SGUTENDL	6"	
6	1	SCRNBX-L	6"	TRIM_16
7	1	SGUTENDR	6"	TRIM_16
8	1	SCRNBX-R	6"	TRIM_16

MEMBER TABLE				
FRAME LINE A				
QUAN	MARK	PART	LENGTH	
1	E-1	8LEDS14	19'-11 1/2"	
1	E-2	8LEDS14	19'-11 1/2"	
1	E-3	8LEDS14	19'-11 1/2"	
8	G-5	8x25Z16	21'-1 1/2"	
4	G-6	8x25Z16	22'-3 1/2"	
2	CB-3	1/4_CBL	25'-6"	

APPROVAL DRAWINGS

- APPROVED AS DRAWN
 - APPROVED AS NOTED
 - NOT APPROVED
- ____ INITIAL

Please Check And Approve All Dimensions And Conditions. STANDARD STRUCTURES Must Be Notified Of Any Changes.



ALL TRIM LAPS ARE TO BE 3" LONG

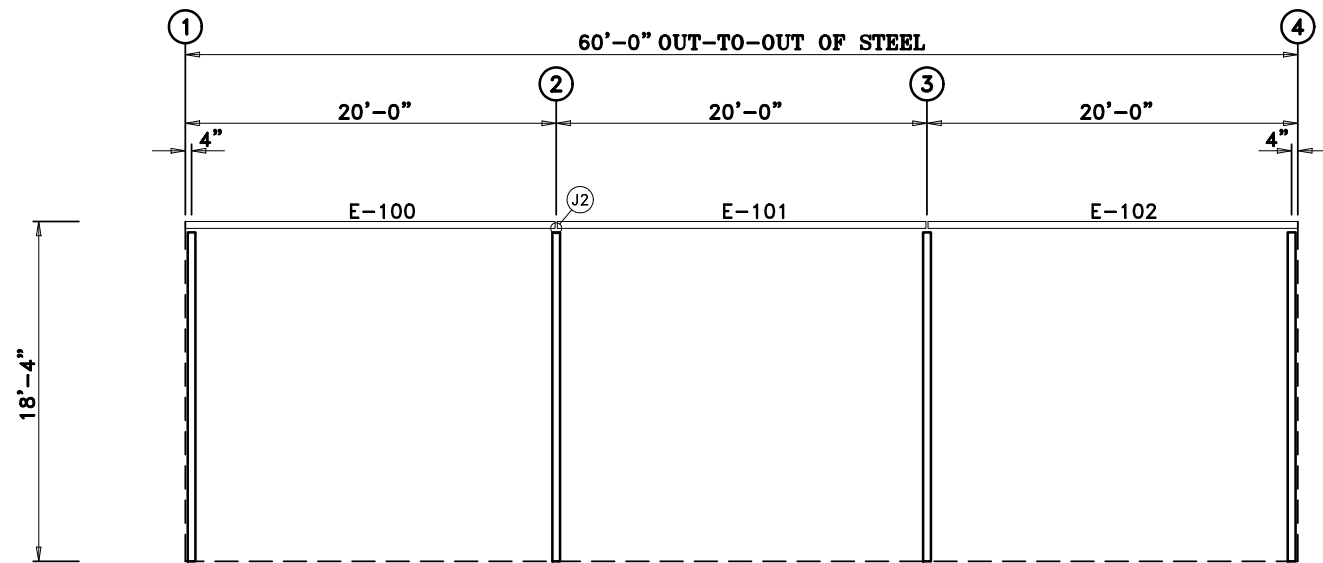
NOTE: If Trim Lap Is More Than 3" Long, The Trim May Not Cover The Required Coverage Length.

SSI STANDARD STRUCTURES INC.
 MANUFACTURER OF METAL BUILDINGS & COMPONENTS
 P.O. BOX 1912
 ODESSA, TX. 79760
 1-800-240-0335



APPROVAL & PERMIT

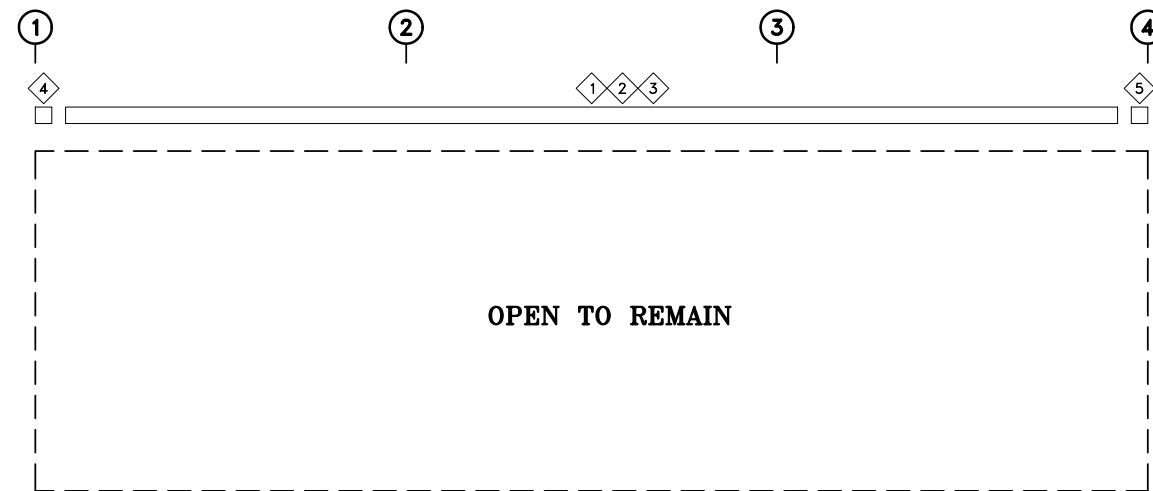
JOB NAME: DCI Metal Buildings
 PROJECT NAME: LNIS Building-#5-Maintenance
 JOB LOCATION: Ponder, TX 76259
 DRAWING TITLE: *SIDEWALL FRAMING*
 DATE: 3/19/26 DET: JOB NO.: 26032 PG.: E-6



TRIM TABLE FRAME LINE E				
◇ ID	QUAN	PART	LENGTH	DETAIL
1	6	ECF-80-0	10'-3"	TRIM_40
2	6	EAVR123	10'-3"	TRIM_4
3	6	BACKSPLS	10'-3"	
4	1	RAKEECLH	6"	TRIM_17
5	1	RAKEECRH	6"	TRIM_17

MEMBER TABLE FRAME LINE E				
QUAN	MARK	PART	LENGTH	
1	E-100	8LEDS14	19'-11	1/2"
1	E-101	8LEDS14	19'-11	1/2"
1	E-102	8LEDS14	19'-11	1/2"

SIDEWALL FRAMING: FRAME LINE E



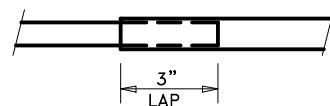
SIDEWALL SHEETING & TRIM: FRAME LINE E

APPROVAL DRAWINGS

- APPROVED AS DRAWN
- APPROVED AS NOTED
- NOT APPROVED

____ INITIAL

Please Check And Approve All Dimensions
And Conditions. **STANDARD STRUCTURES**
Must Be Notified Of Any Changes.



ALL TRIM LAPS ARE TO BE 3" LONG

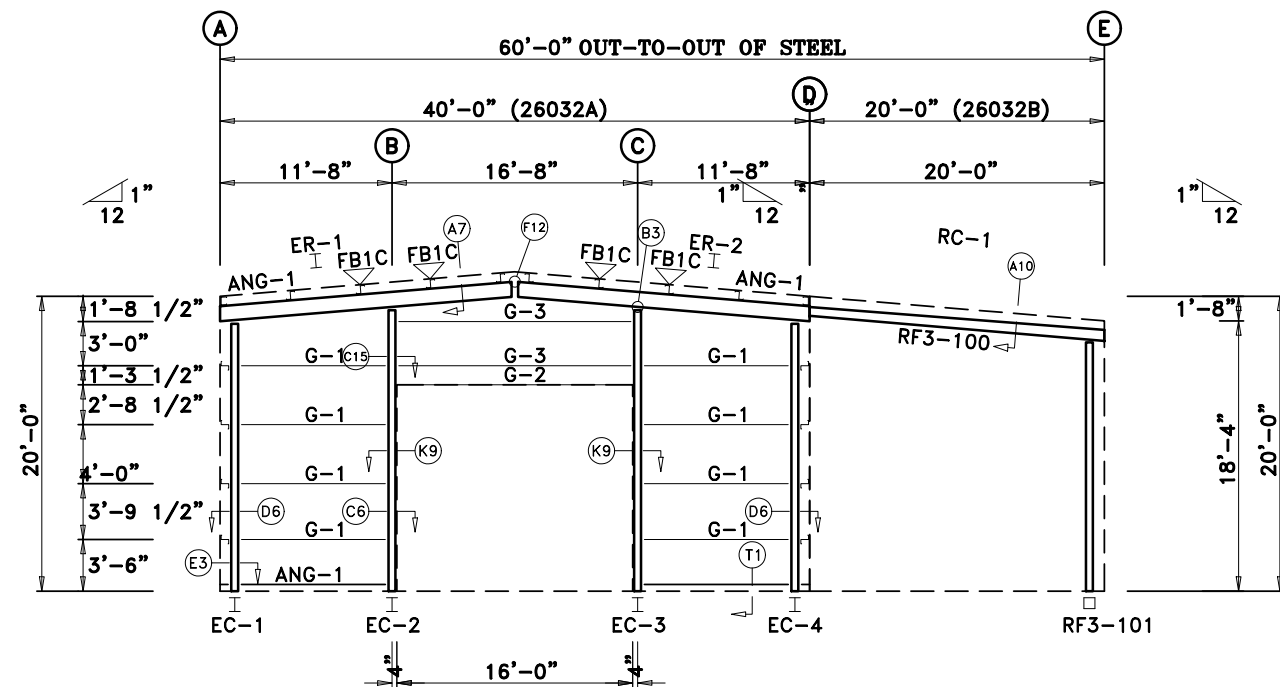
NOTE: If Trim Lap Is More Than 3" Long, The Trim
May Not Cover The Required Coverage Length.

SSI STANDARD STRUCTURES INC.
MANUFACTURER OF METAL BUILDINGS & COMPONENTS
P.O. BOX 1912
ODESSA, TX. 79760
1-800-240-0335

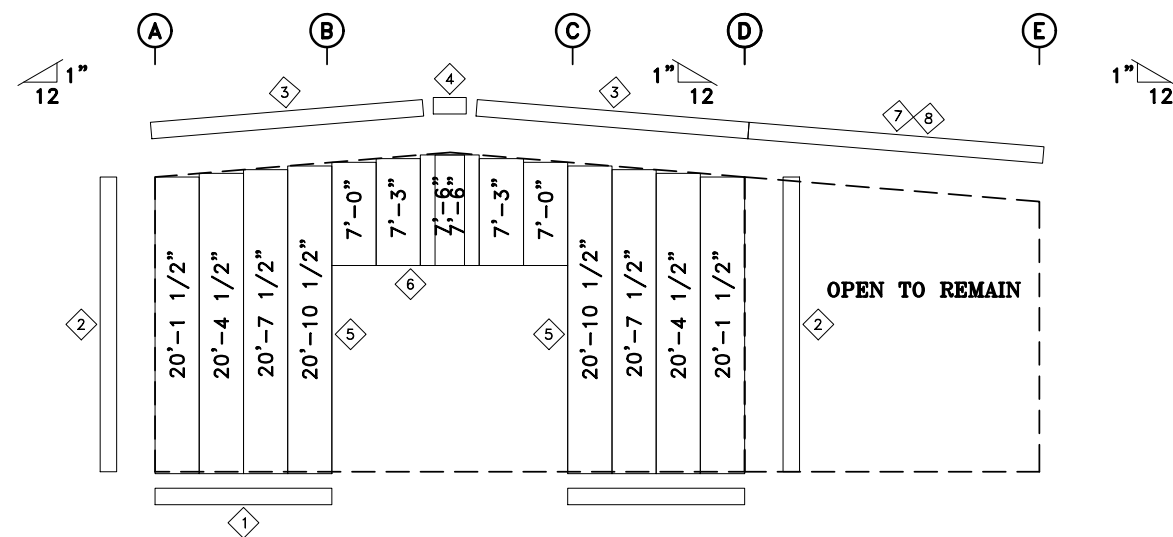
IAS
ACCREDITED™
Metal Building Systems
AC 472

APPROVAL & PERMIT

JOB NAME: DCI Metal Buildings
PROJECT NAME: LNIS Building-#5-Maintenance
JOB LOCATION: Ponder, TX 76259
DRAWING TITLE: *SIDEWALL FRAMING*
DATE: 3/19/26 DET: _____ JOB NO.: 26032 PG.: E-7



ENDWALL FRAMING: FRAME LINE 1



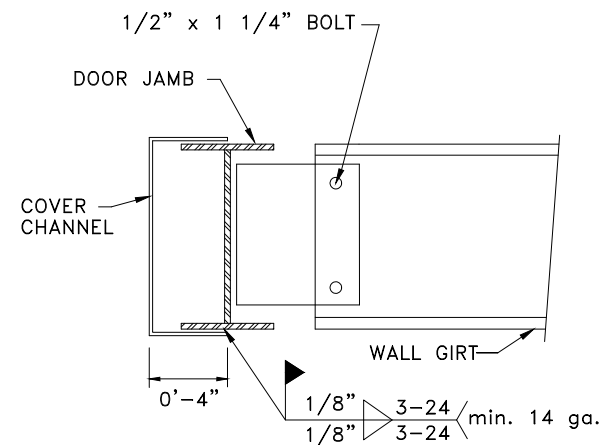
ENDWALL SHEETING & TRIM: FRAME LINE 1
PANELS: 26 Ga. PBR - Charcoal Gray

TRIM TABLE				
FRAME LINE 1				
ID	QUAN	PART	LENGTH	DETAIL
1	4	BASETRIM	10'-3"	
2	2	CRNTR243	20'-1"	TRIM_2
3	2	RAKER243	20'-7"	TRIM_3
4	1	PEAKBX-R	1'-2"	TRIM_15
5	2	JMBTR243	14'-2"	TRIM_6
6	1	HEADR243	16'-4"	TRIM_8
7	1	RAKER243	20'-7"	TRIM_35
8	2	RCF-80-0	10'-3"	TRIM_35

BOLT TABLE				
FRAME LINE 1				
LOCATION	QUAN	TYPE	DIA	LENGTH
26032A				
ER-2/	4	A325	5/8"	1 1/4"
ER-1/ER-2	4	A325	5/8"	1 3/4"
Columns/Raf	4	A325	1/2"	1 1/4"

MEMBER TABLE				
FRAME LINE 1				
QUAN	MARK	PART	LENGTH	
26032A				
1	EC-1	W8X18	18'-9 1/4"	
1	EC-2	W8X10	19'-7 7/8"	
1	EC-3	W8X10	19'-7 7/8"	
1	EC-4	W8X18	18'-9 1/4"	
1	ER-1	W8X10	20'-0 13/16"	
1	ER-2	W8X10	20'-1 1/2"	
8	G-1	8x25Z16	10'-2 7/8"	
1	G-2	8x25C16	16'-3 1/2"	
2	G-3	8x25Z16	16'-3 1/2"	

FLANGE BRACE TABLE				
FRAME LINE 1				
ID	QUAN	MARK	LENGTH	
1	4	FB1C	2'-5"	



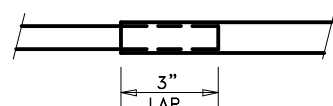
K9 OPEN FACE CEE TO EW COL

APPROVAL DRAWINGS

- APPROVED AS DRAWN
- APPROVED AS NOTED
- NOT APPROVED

____ INITIAL

Please Check And Approve All Dimensions
And Conditions. STANDARD STRUCTURES
Must Be Notified Of Any Changes.



ALL TRIM LAPS ARE TO BE 3" LONG

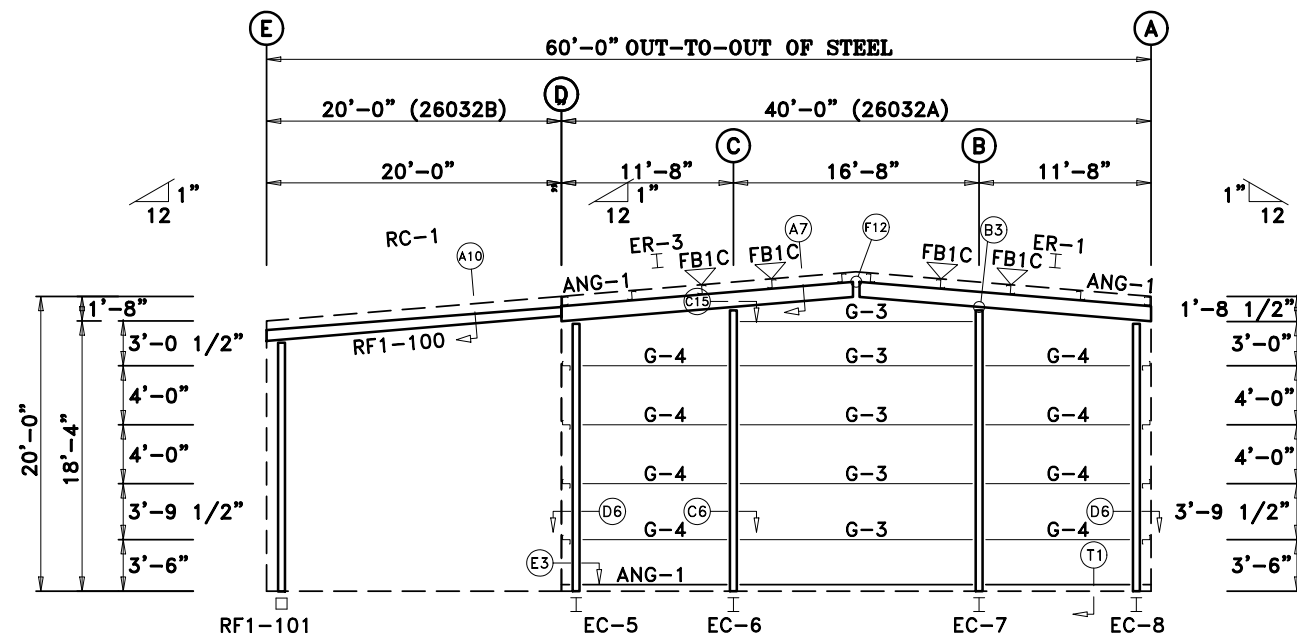
NOTE: If Trim Lap Is More Than 3" Long, The Trim
May Not Cover The Required Coverage Length.

SSI STANDARD STRUCTURES INC.
MANUFACTURER OF METAL BUILDINGS & COMPONENTS
P.O. BOX 1912
ODESSA, TX. 79760
1-800-240-0335

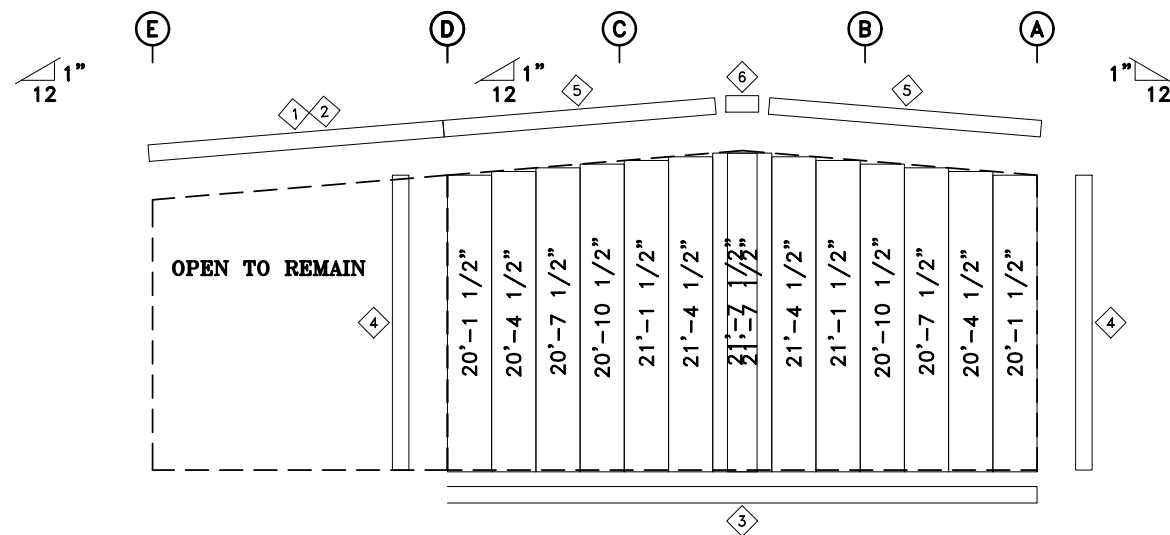
IAS
ACCREDITED™
Metal Building Systems
AC 472

APPROVAL & PERMIT

JOB NAME: DCI Metal Buildings
PROJECT NAME: LNIS Building-#5-Maintenance
JOB LOCATION: Ponder, TX 76259
DRAWING TITLE: <i>ENDWALL FRAMING</i>
DATE: 3/19/26
DET:
JOB NO.: 26032
PG.: E-8



ENDWALL FRAMING: FRAME LINE 4



ENDWALL SHEETING & TRIM: FRAME LINE 4

PANELS: 26 Ga. PBR - Charcoal Gray

TRIM TABLE				
FRAME LINE 4				
◇ ID	QUAN	PART	LENGTH	DETAIL
1	1	RAKER243	20'-7"	TRIM_35
2	2	RCF-80-0	10'-3"	TRIM_35
3	4	BASETRIM	10'-3"	
4	2	CRNTR243	20'-1"	TRIM_2
5	2	RAKER243	20'-7"	TRIM_3
6	1	PEAKBX-R	1'-2"	TRIM_15

BOLT TABLE				
FRAME LINE 4				
LOCATION	QUAN	TYPE	DIA	LENGTH
26032A				
/ER-3	4	A325	5/8"	1 1/4"
ER-1/ER-3	4	A325	5/8"	1 3/4"
Columns/Raf	4	A325	1/2"	1 1/4"

MEMBER TABLE				
FRAME LINE 4				
QUAN	MARK	PART	LENGTH	
26032A				
1	EC-5	W8X10	18'-9 1/4"	
1	EC-6	W8X10	19'-7 7/8"	
1	EC-7	W8X10	19'-7 7/8"	
1	EC-8	W8X10	18'-9 1/4"	
1	ER-1	W8X10	20'-0 13/16"	
1	ER-3	W8X10	20'-1 1/2"	
5	G-3	8x25Z16	16'-3 1/2"	
8	G-4	8x25Z16	10'-3 1/2"	

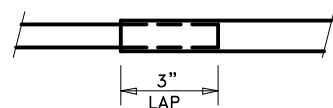
FLANGE BRACE TABLE				
FRAME LINE 4				
▽ ID	QUAN	MARK	LENGTH	
1	4	FB1C	2'-5"	

APPROVAL DRAWINGS

- APPROVED AS DRAWN
- APPROVED AS NOTED
- NOT APPROVED

____ INITIAL

Please Check And Approve All Dimensions
And Conditions. STANDARD STRUCTURES
Must Be Notified Of Any Changes.



ALL TRIM LAPS ARE TO BE 3" LONG

NOTE: If Trim Lap Is More Than 3" Long, The Trim May Not Cover The Required Coverage Length.

SSI STANDARD STRUCTURES INC.
MANUFACTURER OF METAL BUILDINGS & COMPONENTS

P.O. BOX 1912
ODESSA, TX. 79760
1-800-240-0335



ACCREDITED™
Metal Building Systems
AC 472

APPROVAL & PERMIT

JOB NAME: DCI Metal Buildings

PROJECT NAME: LNIS Building-#5-Maintenance

JOB LOCATION: Ponder, TX 76259

DRAWING TITLE: *ENDWALL FRAMING*

DATE: 3/19/26

DET:

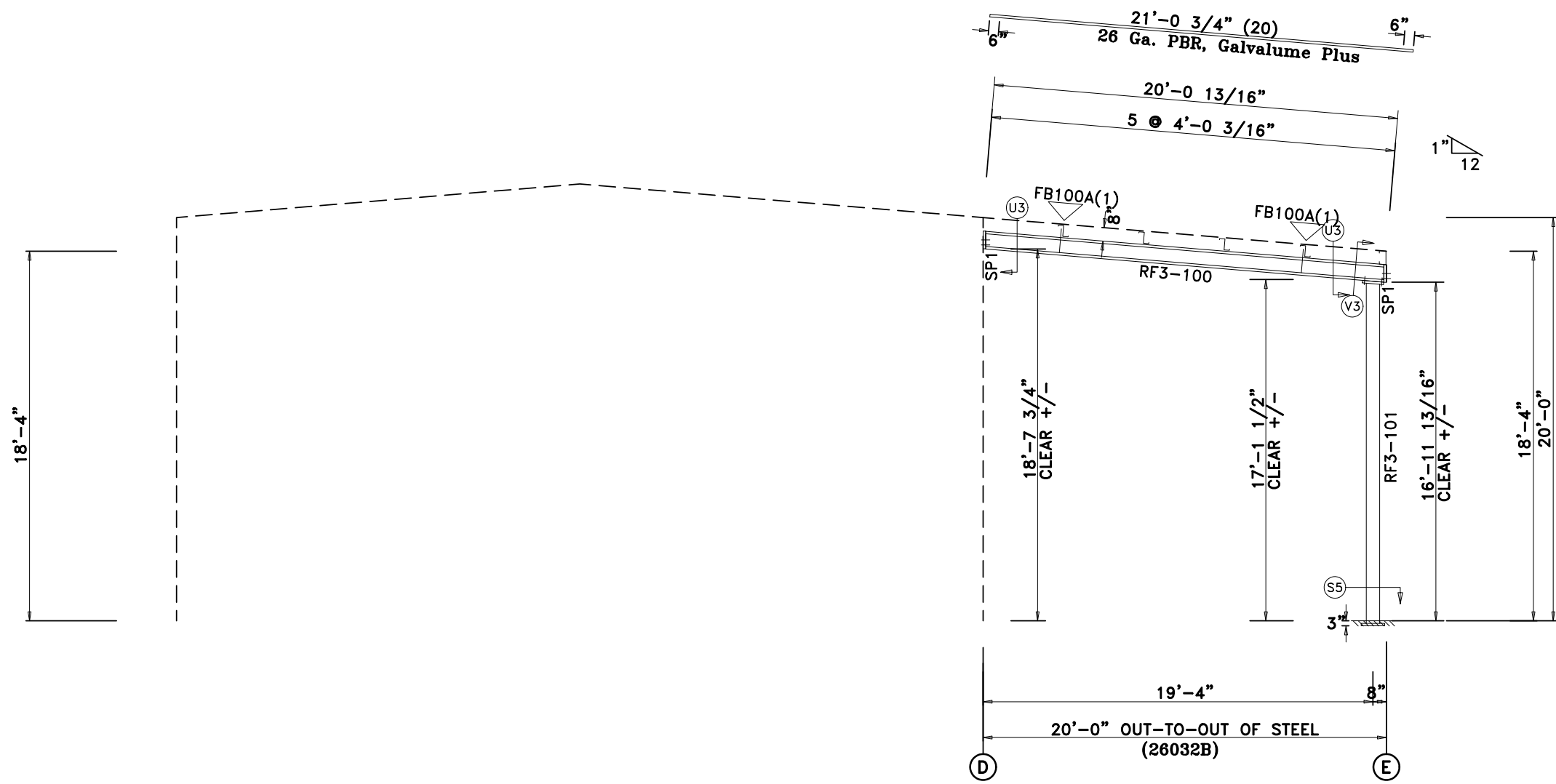
JOB NO.: 26032

PG.: E-9

SPLICE PLATE & BOLT TABLE								CAP PLATE BOLTS							
Mark	Qty	Top	Bot	Int	Type	Dia	Length	Width	Thick	Length	Mark	Qty	Type	Dia	Length
SP1	4	0	0	0	A325	5/8"	1 1/4"	6"	3/8"	8"	RF3-101	4	A325	1/2"	1 1/2"

MEMBER SIZE TABLE		
MARK	MEMBER	LENGTH
RF3-100	W8X18	20'-0 13/16"
RF3-101	HSS4x4X1/4	17'-3 5/8"

FLANGE BRACES: Both Sides(U.N.)
 FBxxA(1)
 A - F2X2X14g



RIGID FRAME SECTION: FRAME LINE 1

APPROVAL DRAWINGS

- APPROVED AS DRAWN
- APPROVED AS NOTED
- NOT APPROVED

____ INITIAL

Please Check And Approve All Dimensions
 And Conditions. STANDARD STRUCTURES
 Must Be Notified Of Any Changes.

SSI STANDARD STRUCTURES INC.
 MANUFACTURER OF METAL BUILDINGS & COMPONENTS
 P.O. BOX 1912
 ODESSA, TX. 79760
 1-800-240-0335

IAS
 ACCREDITED™
 Metal Building Systems
 AC 472

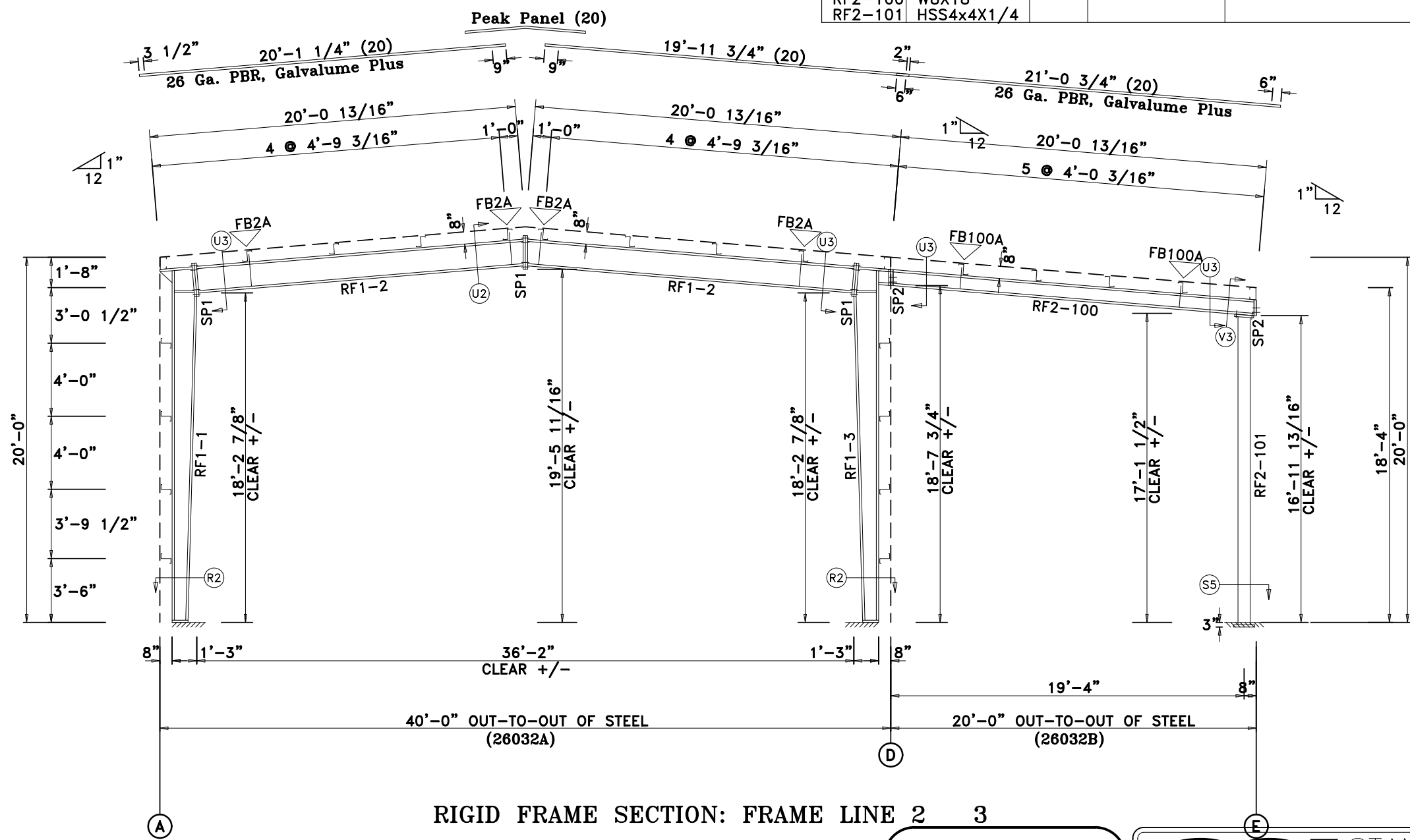
APPROVAL & PERMIT

JOB NAME: DCI Metal Buildings
 PROJECT NAME: LNIS Building-#5-Maintenance
 JOB LOCATION: Ponder, TX 76259
 DRAWING TITLE: RIGID FRAME SECTION
 DATE: 3/25/26 DET: _____ JOB NO.: 26032 PG.: E-10

SPLICE PLATE & BOLT TABLE										CAP PLATE BOLTS				
Mark	Qty Top	Qty Bot	Int	Type	Dia	Length	Width	Thick	Length	Mark	Qty	Type	Dia	Length
SP1	4	4	0	A325	5/8"	1 3/4"	6"	3/8"	1'-9 1/2"	RF2-101	4	A325	5/8"	1 3/4"
SP2	4	0	0	A325	5/8"	1 1/4"	6"	3/8"	8"					

MEMBER TABLE		Web Depth		Web Plate		Outside Flange			Inside Flange		
Mark	Start/End	Thick	Length	W x Thk x Length	W x Thk x Length	W x Thk x Length	W x Thk x Length	W x Thk x Length	W x Thk x Length	W x Thk x Length	W x Thk x Length
RF1-1	7.4/14.2	0.135	209.0	6 x 1/4" x 231.9	6 x 1/4" x 21.3	6 x 1/4" x 218.4	6 x 1/4" x 20.9	6 x 1/4" x 231.9			
RF1-2	14.2/14.4	0.188	24.0								
RF1-3	14.5/14.5	0.135	218.4								
RF2-100	14.4/14.2	0.188	24.0								
RF2-101	14.2/7.4	0.135	209.0								
RF2-100	W8X18										
RF2-101	HSS4x4X1/4										

▽ FLANGE BRACES: Both Sides(U.N.)
 FBxxA(1)
 A - F2X2X14g



RIGID FRAME SECTION: FRAME LINE 2 3

APPROVAL DRAWINGS

- APPROVED AS DRAWN
- APPROVED AS NOTED
- NOT APPROVED

____ INITIAL

Please Check And Approve All Dimensions
 And Conditions. STANDARD STRUCTURES
 Must Be Notified Of Any Changes.



MANUFACTURER OF METAL BUILDINGS & COMPONENTS

P.O. BOX 1912
 ODESSA, TX. 79760
 1-800-240-0335



ACCREDITED™
 Metal Building Systems
 AC 472

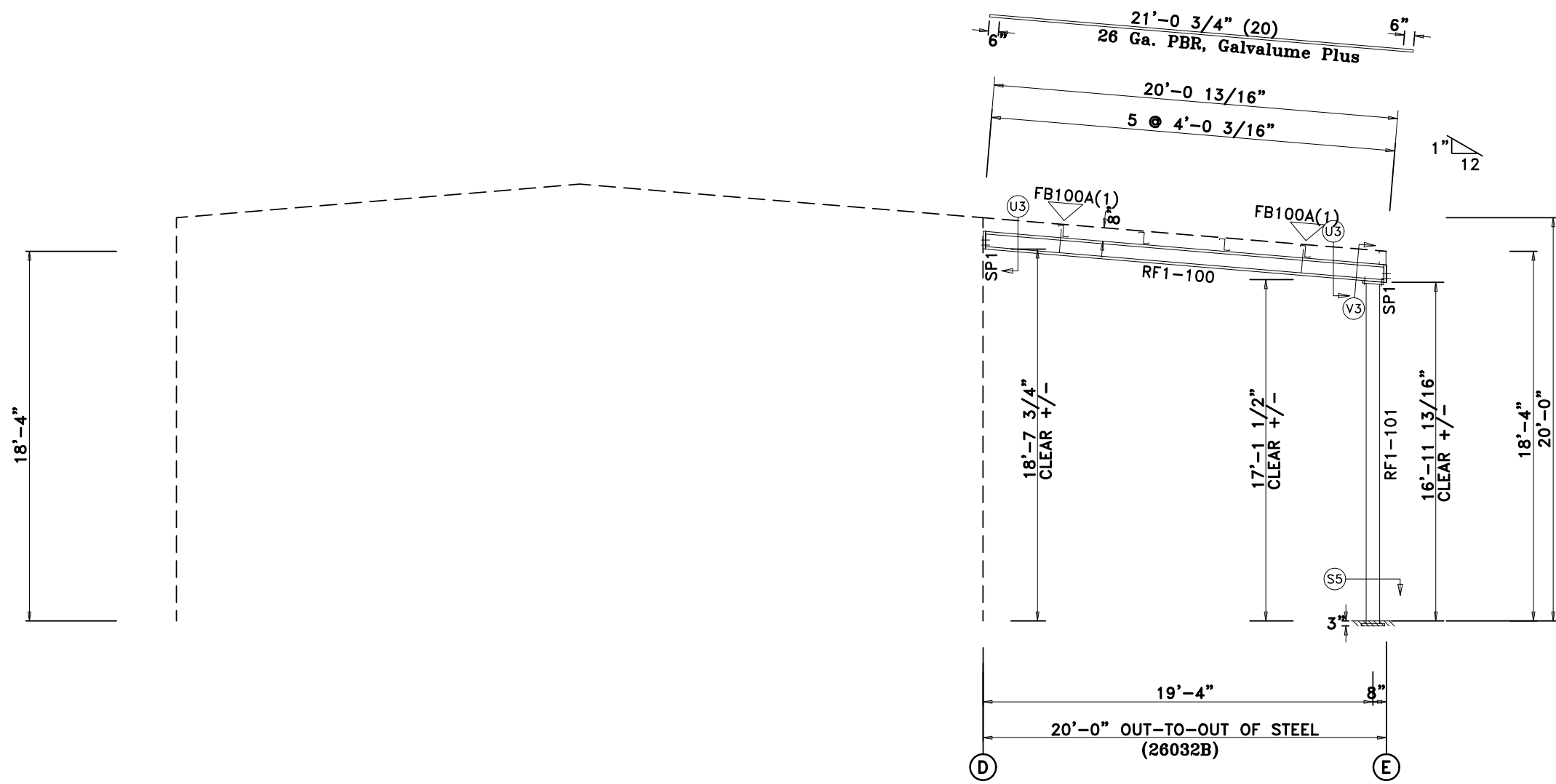
APPROVAL & PERMIT

JOB NAME:	DCI Metal Buildings
PROJECT NAME:	LNIS Building-#5-Maintenance
JOB LOCATION:	Ponder, TX 76259
DRAWING TITLE:	RIGID FRAME SECTION
DATE:	3/25/26
DET:	
JOB NO.:	26032
PG.:	E-11

SPLICE PLATE & BOLT TABLE								CAP PLATE BOLTS							
Mark	Qty	Top	Bot	Int	Type	Dia	Length	Width	Thick	Length	Mark	Qty	Type	Dia	Length
SP1	4	0	0		A325	5/8"	1 1/4"	6"	3/8"	8"	RF1-101	4	A325	1/2"	1 1/2"

MEMBER SIZE TABLE		
MARK	MEMBER	LENGTH
RF1-100	W8X18	20'-0 13/16"
RF1-101	HSS4x4X1/4	17'-3 5/8"

FLANGE BRACES: Both Sides(U.N.)
 FBxxA(1)
 A - F2X2X14g



RIGID FRAME SECTION: FRAME LINE 4

APPROVAL DRAWINGS

- APPROVED AS DRAWN
- APPROVED AS NOTED
- NOT APPROVED

____ INITIAL

Please Check And Approve All Dimensions
 And Conditions. STANDARD STRUCTURES
 Must Be Notified Of Any Changes.

SSI STANDARD STRUCTURES INC.
 MANUFACTURER OF METAL BUILDINGS & COMPONENTS
 P.O. BOX 1912
 ODESSA, TX. 79760
 1-800-240-0335

IAS
 ACCREDITED™
 Metal Building Systems
 AC 472

APPROVAL & PERMIT

JOB NAME: DCI Metal Buildings
 PROJECT NAME: LNIS Building-#5-Maintenance
 JOB LOCATION: Ponder, TX 76259
 DRAWING TITLE: RIGID FRAME SECTION
 DATE: 3/25/26 DET: _____ JOB NO.: 26032 PG.: E-12