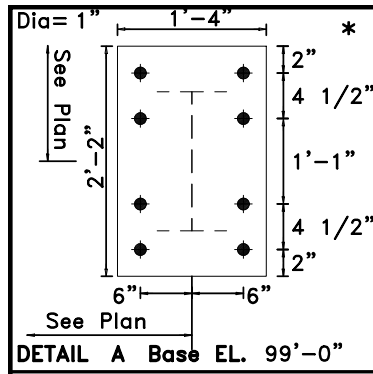


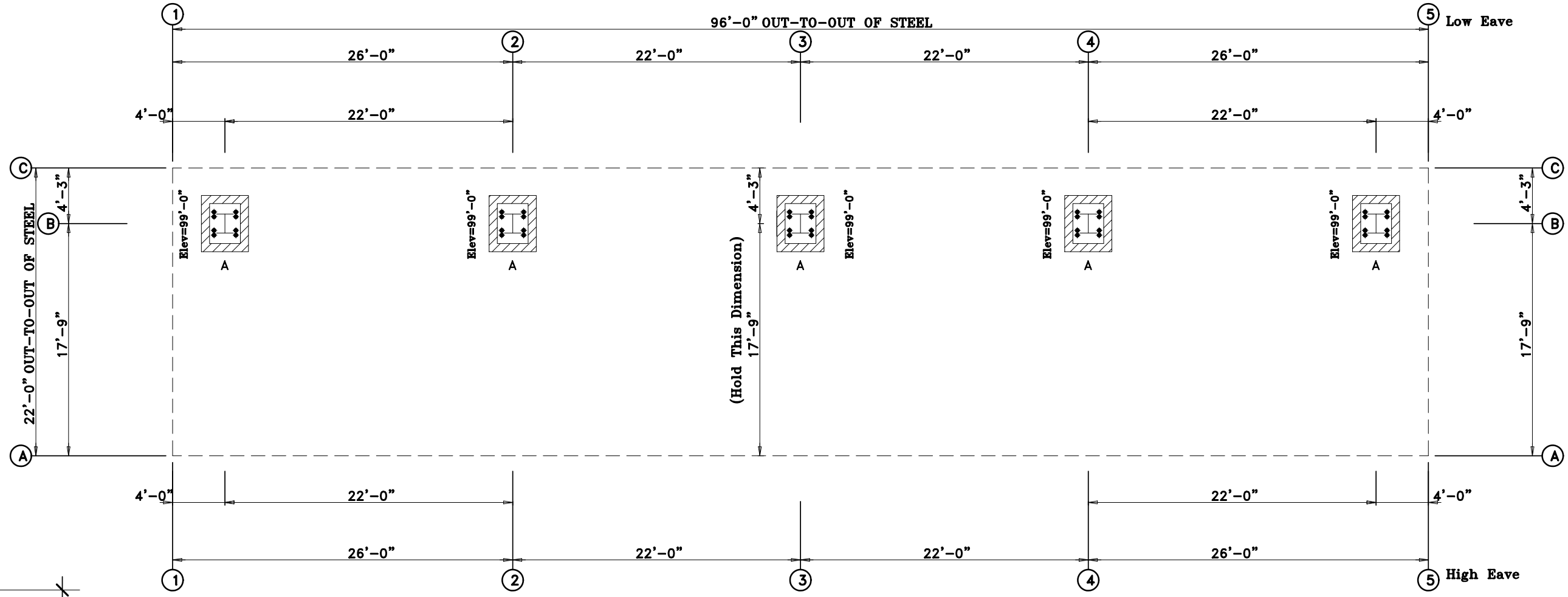
Standard Structures, Inc.

Job# 26044
Final Design

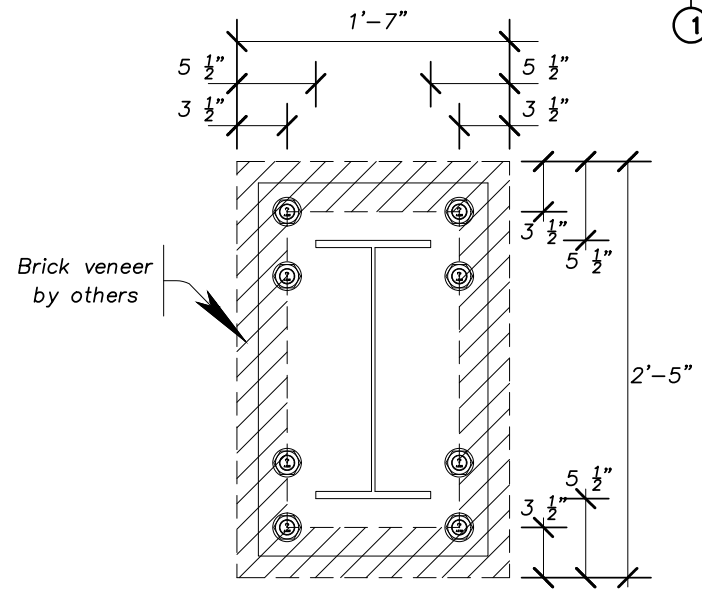


* Base plates with anchor bolts provided per customer request

Qty	Locate	Dia (in)	Type	Proj (in)
40	Frame	1"	A307	2.50



ANCHOR BOLT PLAN
NOTE: All Base Plates @ 100'-0" (U.N.)



APPROVAL DRAWINGS

- APPROVED AS DRAWN
- APPROVED AS NOTED
- NOT APPROVED

____ INITIAL

Please Check And Approve All Dimensions And Conditions. STANDARD STRUCTURES Must Be Notified Of Any Changes.

SSI STANDARD STRUCTURES INC.
MANUFACTURER OF METAL BUILDINGS & COMPONENTS
P.O. BOX 1912
ODESSA, TX. 79760
1-800-240-0335



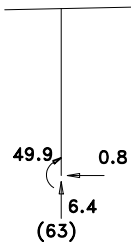
APPROVAL & PERMIT

JOB NAME: Rentfro Construction			
PROJECT NAME: Winkler Terminal Canopy			
JOB LOCATION: Wink, TX 79789			
DRAWING TITLE: ANCHOR BOLT PLAN			
DATE: 4/ 9/26	DET:	JOB NO.: 26044	PG.: E-1

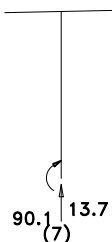
RIGID FRAME REACTIONS (k)

© 1 2 3 4 5 (A)

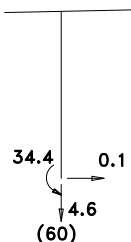
Max Horizontal



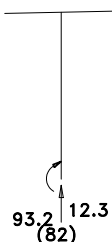
Max +Vertical



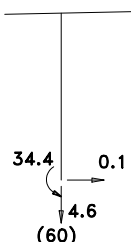
Max -Vertical



Max +Moment



Max -Moment



(7)Dead+Collateral+Live
 (60)0.6Dead+0.6Wind_Long1L
 (63)1.03Dead+1.03Collateral+0.7Seismic_Left
 (82)Dead+Collateral+F1PAT_LL_4

BUILDING BRACING REACTIONS

Wall Loc	Col Line	± Reactions(k)	Panel_Shear (lb/ft)	Note
		Wind Horz	Seismic Vert	

L_EW 1 Rigid frame at endwall
 R_EW 5 Rigid frame at endwall
 Interior Weak axis bending is used

**RIGID FRAME REACTIONS:
WEAK AXIS BENDING**

Frame Line	Col Line	Reactions(k ,f-k)	Load ID		
		Horiz	AB_Vert		
1*	B	0.4	11.9	5.5	0.6Wind
		0.6	10.7	5.6	Seismic

1* Frame lines: 1 2 3 4 5

NOTES FOR REACTIONS

Building reactions are based on the following building data:
 Width (ft) = 22.0
 Length (ft) = 96.0
 Eave Height (ft) = 12.5/ 13.0
 Roof Slope (rise/12) = 0.25
 Roof Dead Load (psf) = 2.5
 Roof Live Load (psf) = 20.0
 Frame Live Load (psf) = 14.3
 Collateral Load (psf) = 7.5
 Snow Load (psf) = 4.2
 Minimum Snow (psf) = 5.0
 Wind Speed (mph) = 105.0
 Wind Code = 2021 IBC
 Exposure = C
 Closure = Open
 Risk Category = II - Normal
 Importance - Seismic = 1.00
 Seismic Design Category = B
 Seismic Coeff (Sms) = 0.29

ENDWALL COLUMN REACTIONS(k)

Frame Line	Col Line	Max Horz	Max +Vert	Max -Vert	Vert	Horz	Load Id
5	B	= 0.0	= 0.0	= 0.0	= 0.0	= 0.0	(a)
1	B	= 0.1	= 0.0	= 0.0	= 0.0	= 0.0	(5)
5	B	= 0.0	= 0.0	= 0.0	= 0.0	= 0.0	(a)

(a)Load combinations do not produce a max for this direction
 (5)Dead+Collateral+Snow/2+E1PAT_SL_2

APPROVAL DRAWINGS

- APPROVED AS DRAWN
- APPROVED AS NOTED
- NOT APPROVED

____ INITIAL

Please Check And Approve All Dimensions
 And Conditions. STANDARD STRUCTURES
 Must Be Notified Of Any Changes.

SSI STANDARD STRUCTURES INC.
 MANUFACTURER OF METAL BUILDINGS & COMPONENTS

P.O. BOX 1912
 ODESSA, TX. 79760
 1-800-240-0335



ACCREDITED™
 Metal Building Systems
 AC 472

APPROVAL & PERMIT

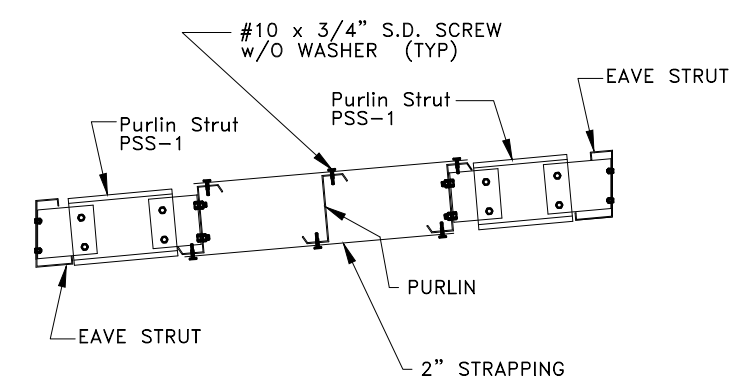
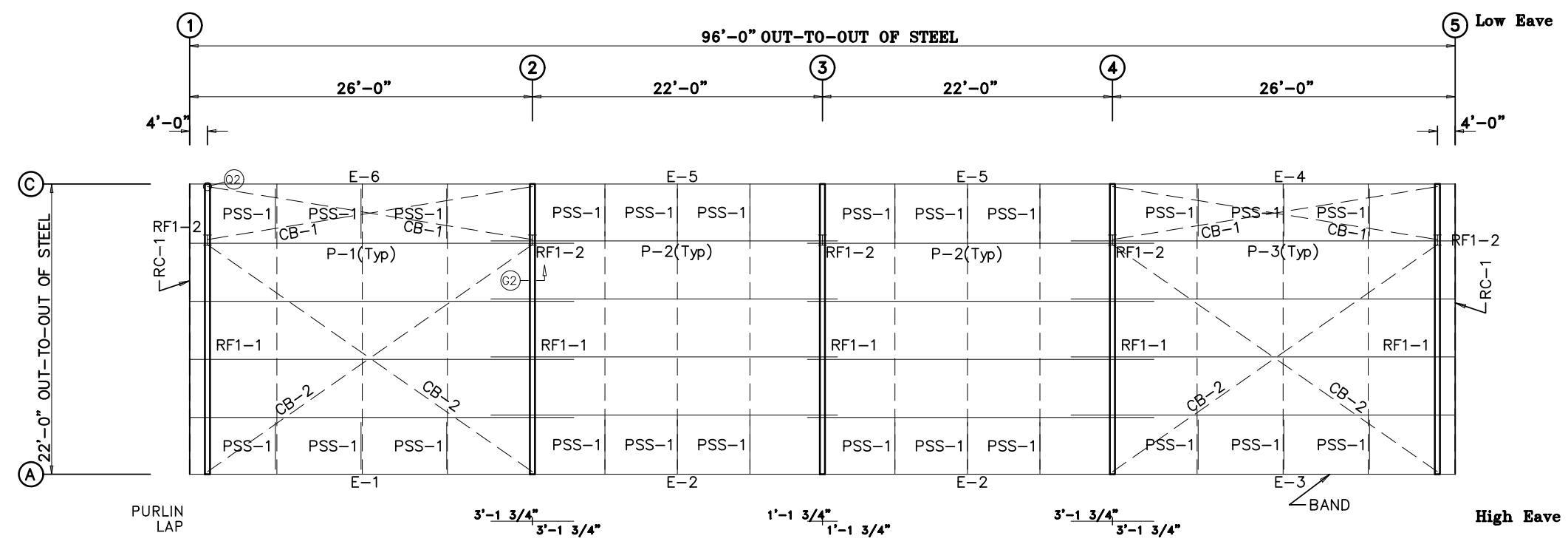
JOB NAME: Rentfro Construction
 PROJECT NAME: Winkler Terminal Canopy

JOB LOCATION: Wink, TX 79789

DRAWING TITLE: ANCHOR BOLT REACTIONS

DATE: 4/ 9/26 DET: JOB NO.: 26044 PG.: E-2

MEMBER TABLE			
ROOF PLAN			
QUAN	MARK	PART	LENGTH
4	P-1	8x25Z16	29'-1 1/2"
8	P-2	8x25Z16	26'-3 1/2"
4	P-3	8x25Z16	29'-1 1/2"
1	E-1	8HEDS14	25'-11 1/2"
2	E-2	8HEDS14	21'-11 1/2"
1	E-3	8HEDS14	25'-11 1/2"
1	E-4	8LEDS14	25'-11 1/2"
2	E-5	8LEDS14	21'-11 1/2"
1	E-6	8LEDS14	25'-11 1/2"
4	CB-1	1/4_CBL	20'-8"
4	CB-2	1/4_CBL	26'-0"
24	PSS-1	8x35C16	4'-4 13/16"



ROOF FRAMING PLAN

STRAPPING DETAIL FOR ROOF

APPROVAL DRAWINGS

- APPROVED AS DRAWN
 - APPROVED AS NOTED
 - NOT APPROVED
- ____ INITIAL

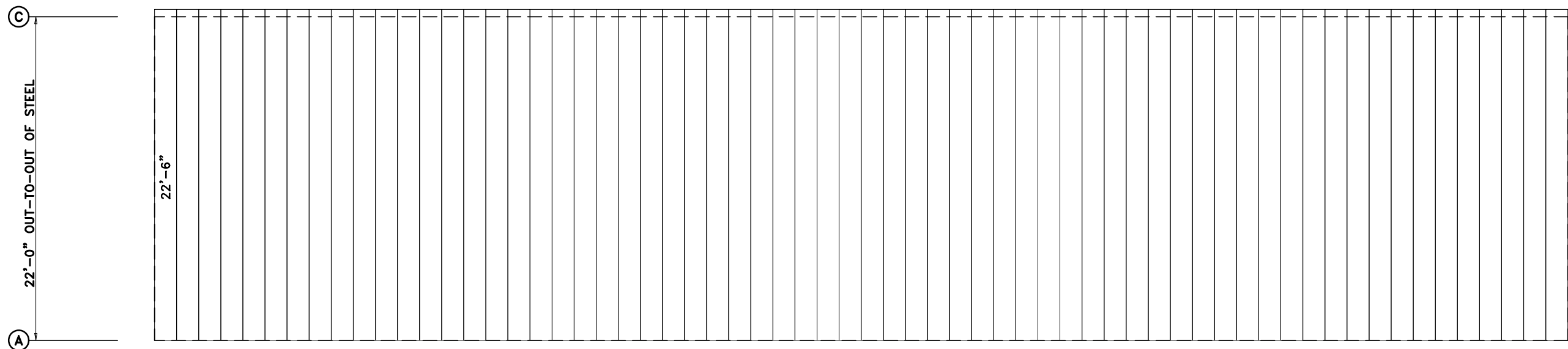
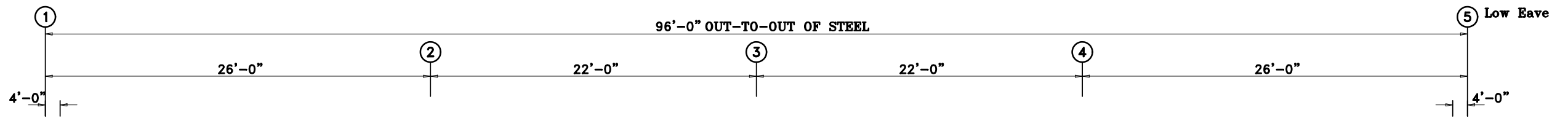
Please Check And Approve All Dimensions And Conditions. STANDARD STRUCTURES Must Be Notified Of Any Changes.

SSI STANDARD STRUCTURES INC.
 MANUFACTURER OF METAL BUILDINGS & COMPONENTS
 P.O. BOX 1912
 ODESSA, TX. 79760
 1-800-240-0335

IAS
 ACCREDITED™
 Metal Building Systems
 AC 472

APPROVAL & PERMIT

JOB NAME: Rentfro Construction
 PROJECT NAME: Winkler Terminal Canopy
 JOB LOCATION: Wink, TX 79789
 DRAWING TITLE: ROOF FRAMING
 DATE: 4/ 9/26 DET: JOB NO.: 26044 PG.: E-3



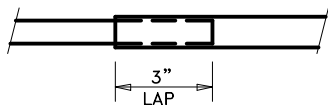
ROOF SHEETING PLAN
 PANELS: 24 Ga. Berridge Tee-Lock (By Others)

APPROVAL DRAWINGS

- APPROVED AS DRAWN
- APPROVED AS NOTED
- NOT APPROVED

____ INITIAL

Please Check And Approve All Dimensions
 And Conditions. STANDARD STRUCTURES
 Must Be Notified Of Any Changes.



ALL TRIM LAPS ARE TO BE 3" LONG

NOTE: If Trim Lap Is More Than 3" Long, The Trim May Not Cover The Required Coverage Length.

SSI STANDARD STRUCTURES INC.
 MANUFACTURER OF METAL BUILDINGS & COMPONENTS
 P.O. BOX 1912
 ODESSA, TX. 79760
 1-800-240-0335



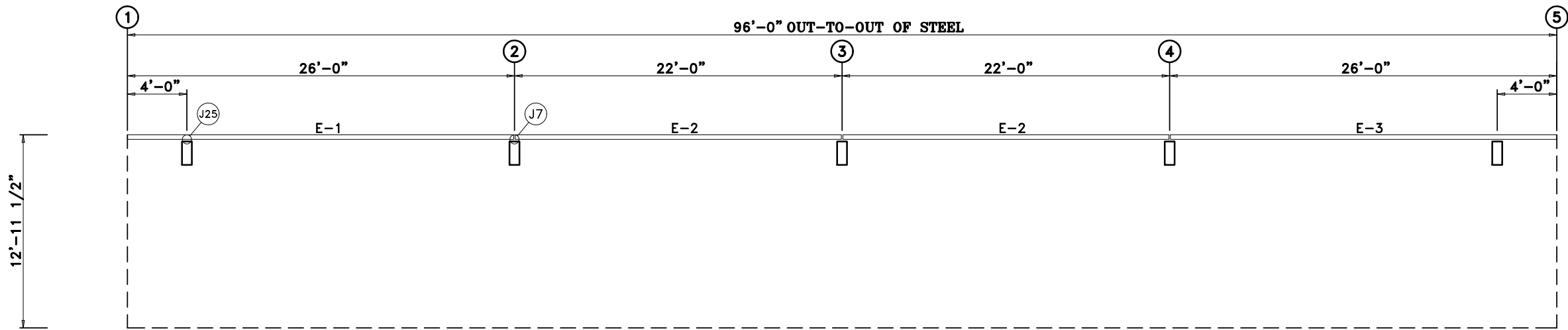
ACCREDITED™
 Metal Building Systems
 AC 472

APPROVAL & PERMIT

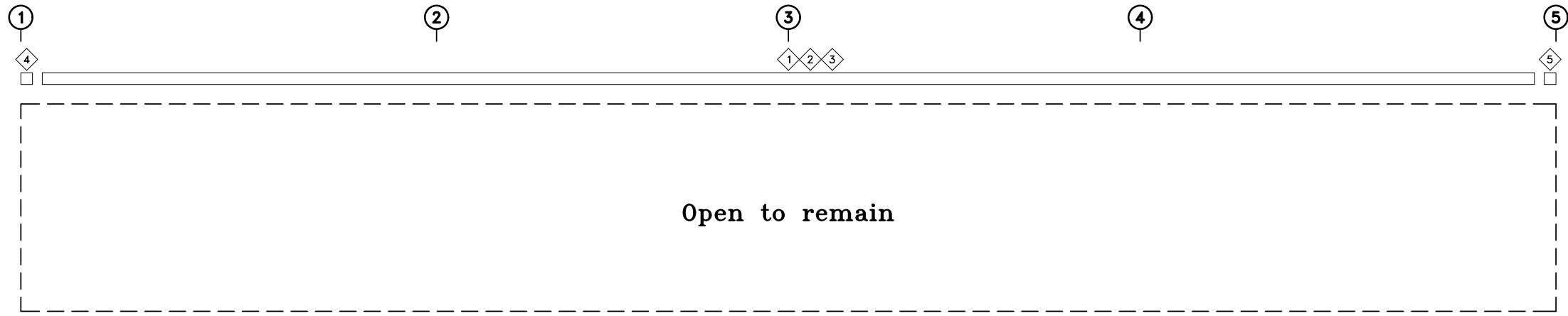
JOB NAME: Rentfro Construction
 PROJECT NAME: Winkler Terminal Canopy
 JOB LOCATION: Wink, TX 79789
 DRAWING TITLE: *ROOF SHEETING*
 DATE: 4/ 9/26 DET: JOB NO.: 26044 PG.: E-4

TRIM TABLE				
FRAME LINE A				
ID	QUAN	PART	LENGTH	DETAIL
1	10	HECF-80-	10'-3"	TRIM_41
2	4	HSE243	24'-3"	TRIM_41
3	10	BACKSPLS	10'-3"	
4	1	HSCB-L	6"	
5	1	HSCB-R	6"	

MEMBER TABLE				
FRAME LINE A				
QUAN	MARK	PART	LENGTH	
1	E-1	8HEDS14	25'-11 1/2"	
2	E-2	8HEDS14	21'-11 1/2"	
1	E-3	8HEDS14	25'-11 1/2"	



SIDEWALL FRAMING: FRAME LINE A



SIDEWALL SHEETING & TRIM: FRAME LINE A

ALL TRIM LAPS ARE TO BE 3" LONG

NOTE: If Trim Lap Is More Than 3" Long, The Trim May Not Cover The Required Coverage Length.

APPROVAL DRAWINGS

APPROVED AS DRAWN
 APPROVED AS NOTED
 NOT APPROVED

____ INITIAL

Please Check And Approve All Dimensions And Conditions. STANDARD STRUCTURES Must Be Notified Of Any Changes.

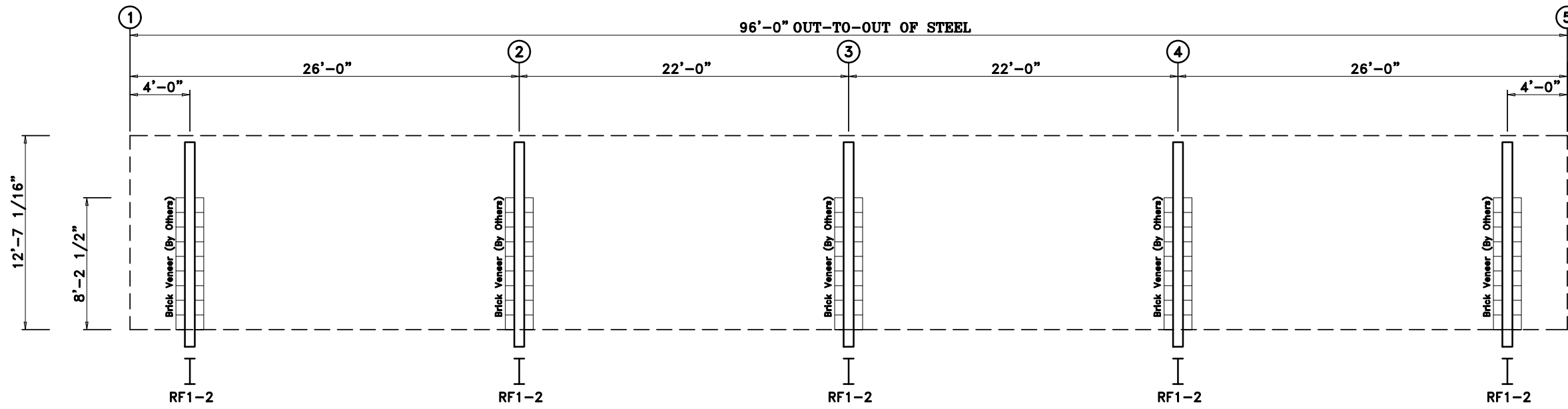


SSI STANDARD STRUCTURES INC.
 MANUFACTURER OF METAL BUILDINGS & COMPONENTS
 P.O. BOX 1912
 ODESSA, TX. 79760
 1-800-240-0335

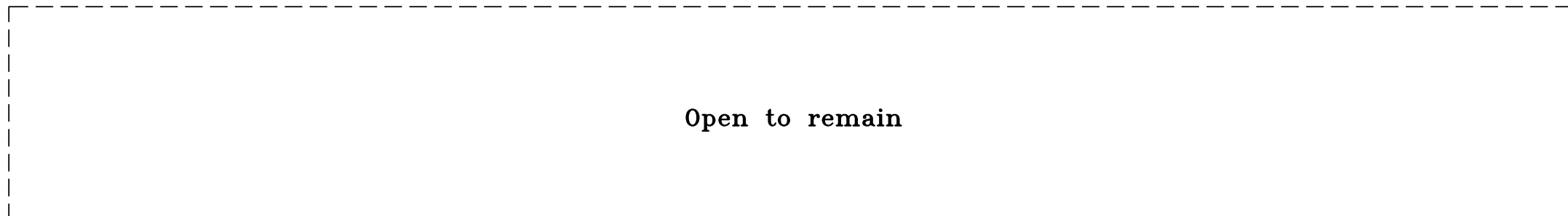
IAS
 ACCREDITED™
 Metal Building Systems
 AC 472

APPROVAL & PERMIT

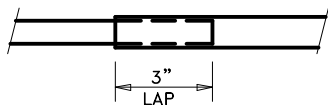
JOB NAME: Rentfro Construction
 PROJECT NAME: Winkler Terminal Canopy
 JOB LOCATION: Wink, TX 79789
 DRAWING TITLE: *SIDEWALL DRAWING*
 DATE: 4/ 9/26 DET: _____ JOB NO.: 26044 PG.: E-5



FRAMING: FRAME LINE 8



SHEETING & TRIM: FRAME LINE B



ALL TRIM LAPS ARE TO BE 3" LONG

NOTE: If Trim Lap Is More Than 3" Long, The Trim May Not Cover The Required Coverage Length.

APPROVAL DRAWINGS

- APPROVED AS DRAWN
- APPROVED AS NOTED
- NOT APPROVED

____ INITIAL

Please Check And Approve All Dimensions And Conditions. STANDARD STRUCTURES Must Be Notified Of Any Changes.

SSI STANDARD STRUCTURES INC.
 MANUFACTURER OF METAL BUILDINGS & COMPONENTS
 P.O. BOX 1912
 ODESSA, TX. 79760
 1-800-240-0335

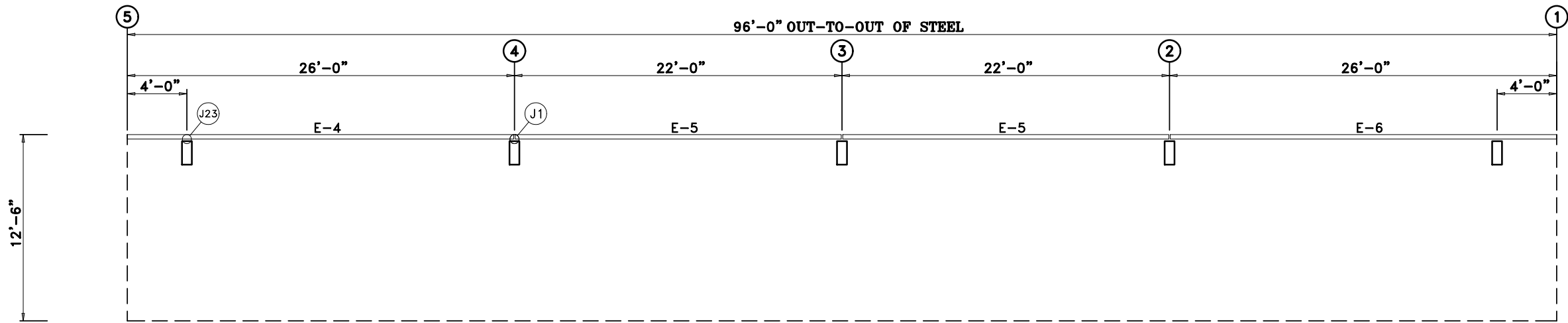
IAS
 ACCREDITED™
 Metal Building Systems
 AC 472

APPROVAL & PERMIT

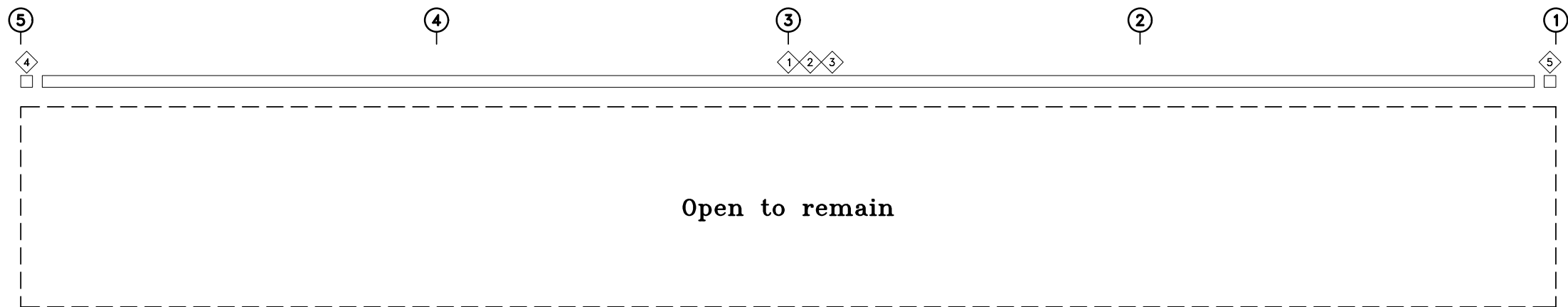
JOB NAME: Rentfro Construction
 PROJECT NAME: Winkler Terminal Canopy
 JOB LOCATION: Wink, TX 79789
 DRAWING TITLE: *ELEVATION DRAWING*
 DATE: 4/ 9/26 DET: JOB NO.: 26044 PG.: E-6

TRIM TABLE				
FRAME LINE C				
ID	QUAN	PART	LENGTH	DETAIL
1	10	BACKSPLS	10'-3"	
2	10	ECF-80-0	10'-3"	TRIM #40
3	10	EAVER123	10'-3"	TRIM #4
4	1	RAKEECLH	6"	TRIM #17
5	1	RAKEECRH	6"	TRIM #17

MEMBER TABLE				
FRAME LINE C				
QUAN	MARK	PART	LENGTH	
1	E-4	8LEDS14	25'-11 1/2"	
2	E-5	8LEDS14	21'-11 1/2"	
1	E-6	8LEDS14	25'-11 1/2"	



SIDEWALL FRAMING: FRAME LINE C



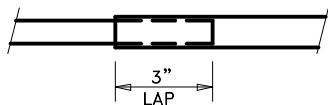
SIDEWALL SHEETING & TRIM: FRAME LINE C

APPROVAL DRAWINGS

- APPROVED AS DRAWN
- APPROVED AS NOTED
- NOT APPROVED

____ INITIAL

Please Check And Approve All Dimensions
And Conditions. STANDARD STRUCTURES
Must Be Notified Of Any Changes.



ALL TRIM LAPS ARE TO BE 3" LONG

NOTE: If Trim Lap Is More Than 3" Long, The Trim
May Not Cover The Required Coverage Length.

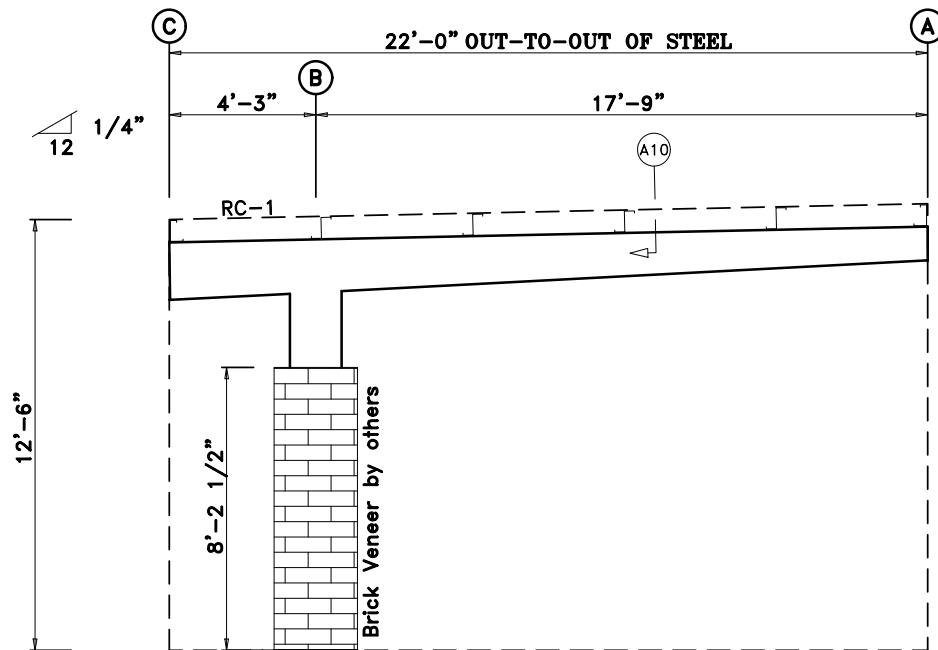
SSI STANDARD STRUCTURES INC.
MANUFACTURER OF METAL BUILDINGS & COMPONENTS
P.O. BOX 1912
ODESSA, TX. 79760
1-800-240-0335

IAS
ACCREDITED™
Metal Building Systems
AC 472

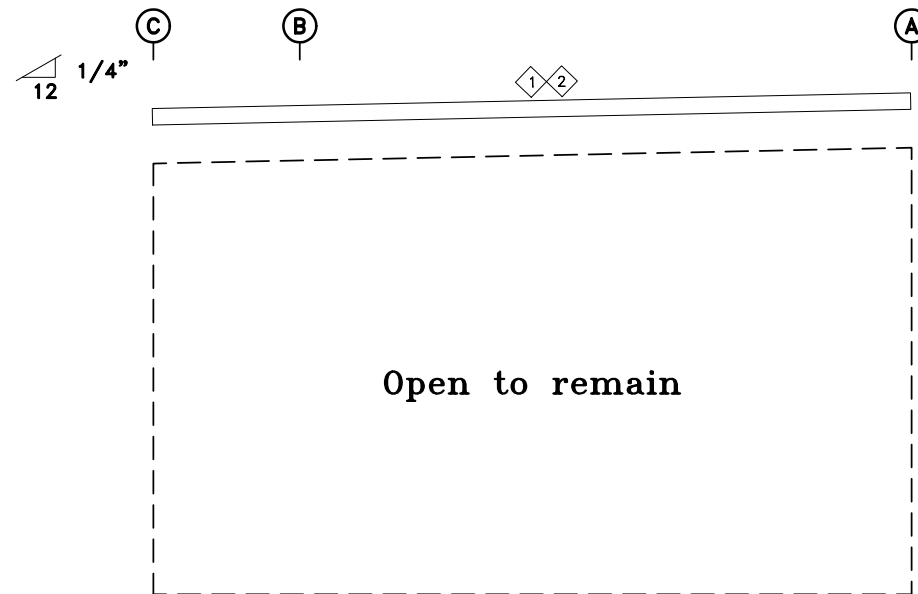
APPROVAL & PERMIT

JOB NAME: Rentfro Construction
PROJECT NAME: Winkler Terminal Canopy
JOB LOCATION: Wink, TX 79789
DRAWING TITLE: *SIDEWALL DRAWING*
DATE: 4/ 9/26 DET: JOB NO.: 26044 PG.: E-7

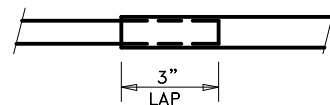
TRIM TABLE				
FRAME LINE 1				
◇ ID	QUAN	PART	LENGTH	DETAIL
1	1	RAKER243	22'-7"	TRIM #15
2	3	RCF-80-0	10'-3"	TRIM #15



ENDWALL FRAMING: FRAME LINE 1



ENDWALL SHEETING & TRIM: FRAME LINE 1



ALL TRIM LAPS ARE TO BE 3" LONG

NOTE: If Trim Lap Is More Than 3" Long, The Trim May Not Cover The Required Coverage Length.

APPROVAL DRAWINGS

- APPROVED AS DRAWN
- APPROVED AS NOTED
- NOT APPROVED

____ INITIAL

Please Check And Approve All Dimensions And Conditions. STANDARD STRUCTURES Must Be Notified Of Any Changes.

SSI STANDARD STRUCTURES INC.
MANUFACTURER OF METAL BUILDINGS & COMPONENTS

P.O. BOX 1912
ODESSA, TX. 79760
1-800-240-0335



ACCREDITED™
Metal Building Systems
AC 472

APPROVAL & PERMIT

JOB NAME: Rentfro Construction
PROJECT NAME: Winkler Terminal Canopy

JOB LOCATION: Wink, TX 79789

DRAWING TITLE: *ENDWALL DRAWING*

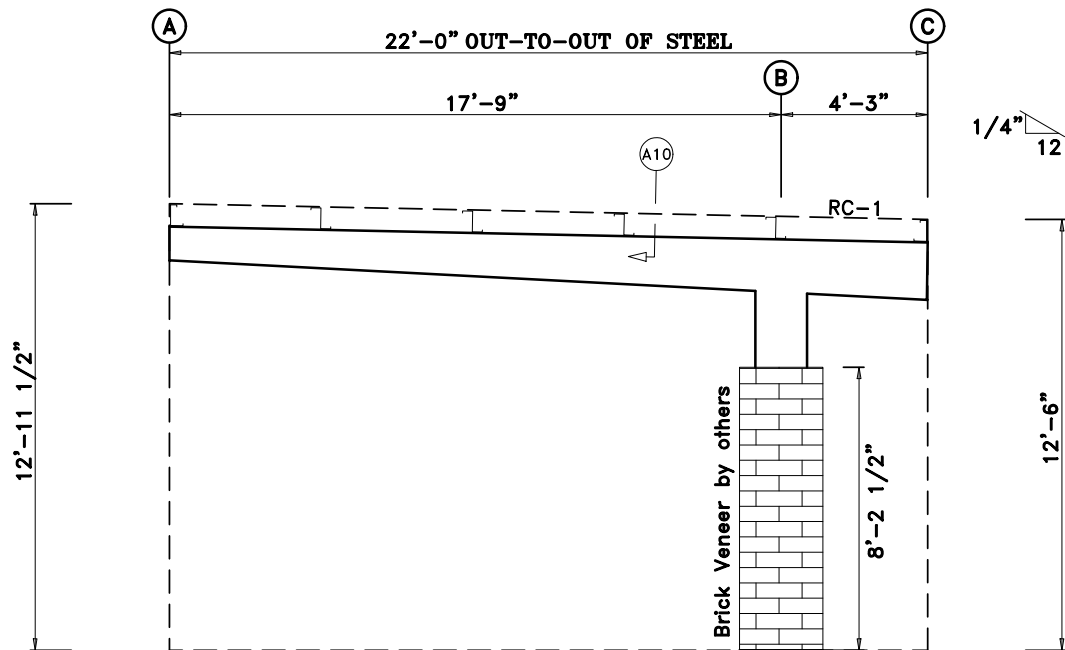
DATE: 4/ 9/26

DET:

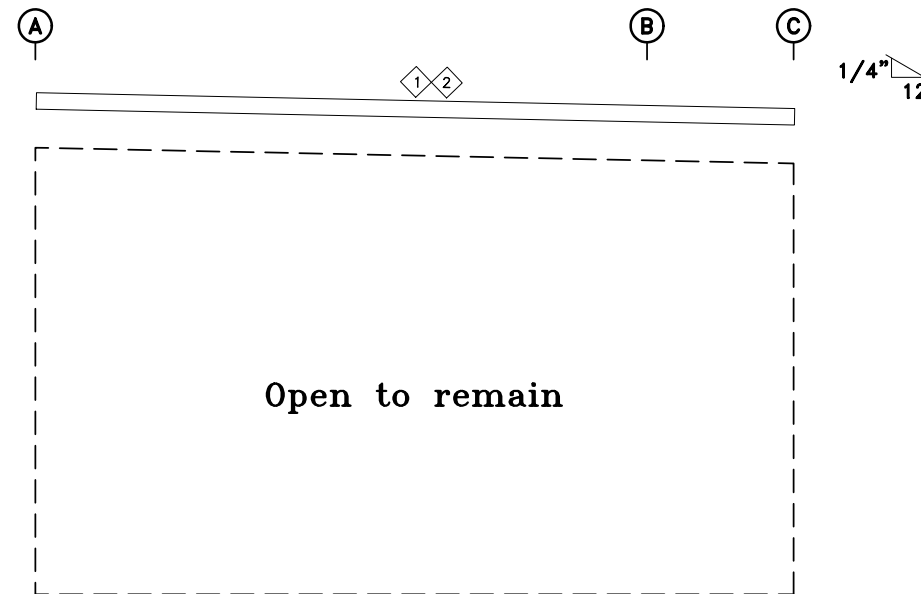
JOB NO.: 26044

PG.: E-8

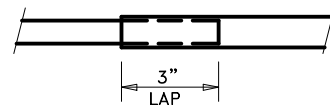
TRIM TABLE				
FRAME LINE 5				
◇ ID	QUAN	PART	LENGTH	DETAIL
1	1	RAKER243	22'-7"	TRIM #15
2	3	RCF-80-O	10'-3"	TRIM #15



ENDWALL FRAMING: FRAME LINE 5



ENDWALL SHEETING & TRIM: FRAME LINE 5



ALL TRIM LAPS ARE TO BE 3" LONG

NOTE: If Trim Lap Is More Than 3" Long, The Trim May Not Cover The Required Coverage Length.

APPROVAL DRAWINGS

- APPROVED AS DRAWN
- APPROVED AS NOTED
- NOT APPROVED

____ INITIAL

Please Check And Approve All Dimensions And Conditions. STANDARD STRUCTURES Must Be Notified Of Any Changes.

SSI STANDARD STRUCTURES INC.
 MANUFACTURER OF METAL BUILDINGS & COMPONENTS
 P.O. BOX 1912
 ODESSA, TX. 79760
 1-800-240-0335

IAS
 ACCREDITED™
 Metal Building Systems
 AC 472

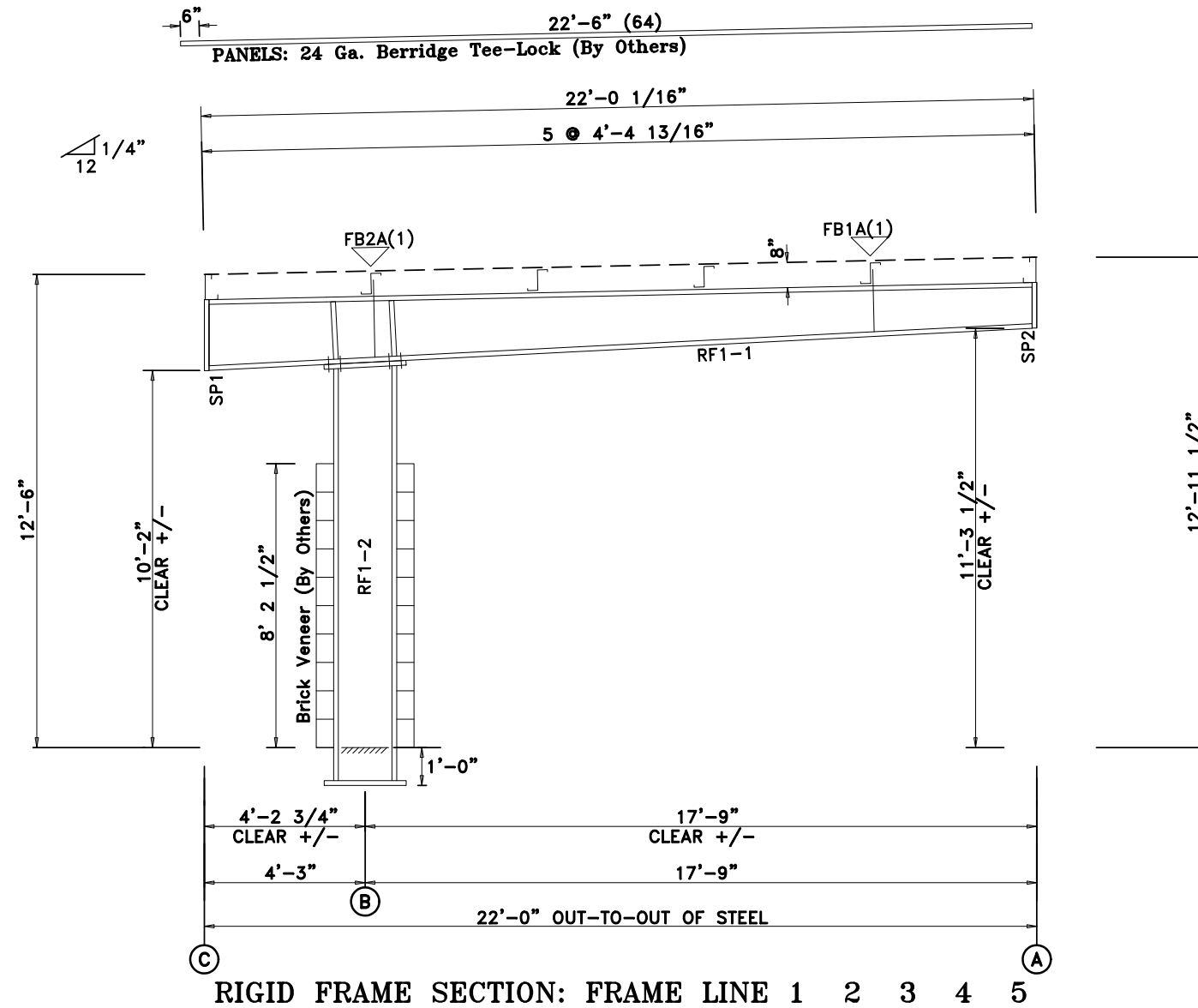
APPROVAL & PERMIT

JOB NAME: Rentfro Construction
 PROJECT NAME: Winkler Terminal Canopy
 JOB LOCATION: Wink, TX 79789
 DRAWING TITLE: *ENDWALL DRAWING*
 DATE: 4/ 9/26 DET: _____ JOB NO.: 26044 PG.: E-9

SPLICE PLATE & BOLT TABLE						CAP PLATE BOLTS									
Mark	Qty	Top	Bot	Int	Type	Dia	Length	Width	Thick	Length	Mark	Qty	Type	Dia	Length
SP1						6"	1'-8"	6"	1/4"	1'-8"	RF1-2	8	A325	3/4"	2"
SP2						6"	1'-0"	6"	1/4"	1'-0"					

MEMBER TABLE								
Mark	Web Depth		Web Plate		Outside Flange		Inside Flange	
	Start/End	Thick	Length	Thick	Length	W x Thk x Length	W x Thk x Length	
RF1-1	19.5/18.8	0.188	24.0	0.188	240.0	6 x 1/4" x 263.6	6 x 1/4" x 38.5	
RF1-2	18.8/11.5	0.188	240.0	0.250	135.0	8 x 1/2" x 134.1	6 x 1/4" x 200.8	
	17.0/17.0	0.250	135.0				8 x 1/2" x 135.0	

▽ FLANGE BRACES: Both Sides(U.N.)
 FBxxA(1)
 A - F2X2X14g



Angle of rotation at base	
Axis	Angle (deg)
Strong	0.245
Weak	0.177

Deflection at top of brick	
Location	Deflection (in)
8'-2 1/2"	0.3

APPROVAL DRAWINGS

APPROVED AS DRAWN
 APPROVED AS NOTED
 NOT APPROVED

____ INITIAL

Please Check And Approve All Dimensions
 And Conditions. STANDARD STRUCTURES
 Must Be Notified Of Any Changes.

SSI

STANDARD STRUCTURES INC.
 MANUFACTURER OF METAL BUILDINGS & COMPONENTS

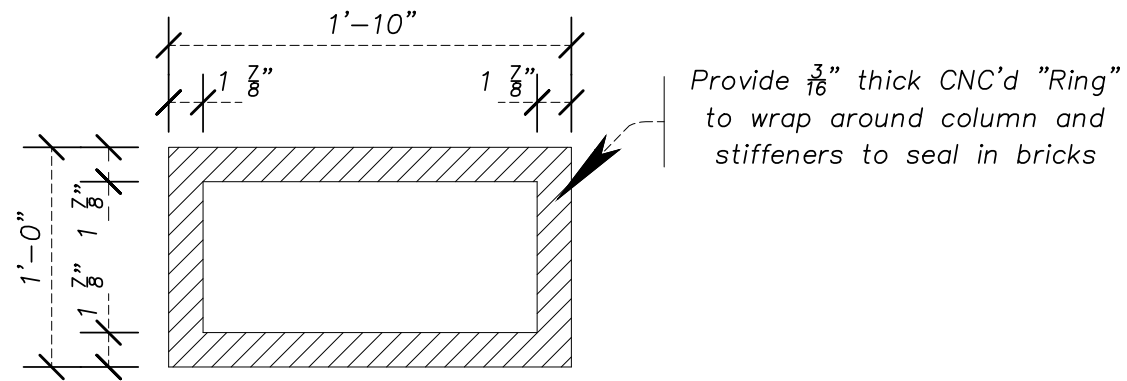
P.O. BOX 1912
 ODESSA, TX. 79760
 1-800-240-0335

IAS

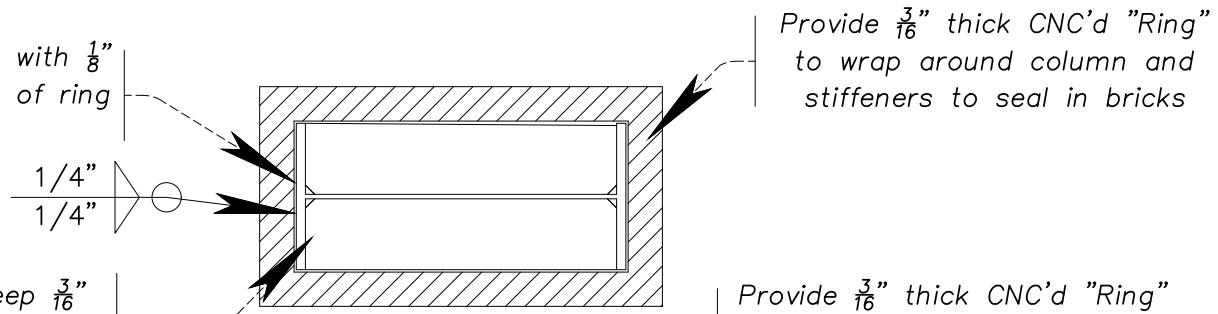
ACCREDITED™
 Metal Building Systems
 AC 472

APPROVAL & PERMIT

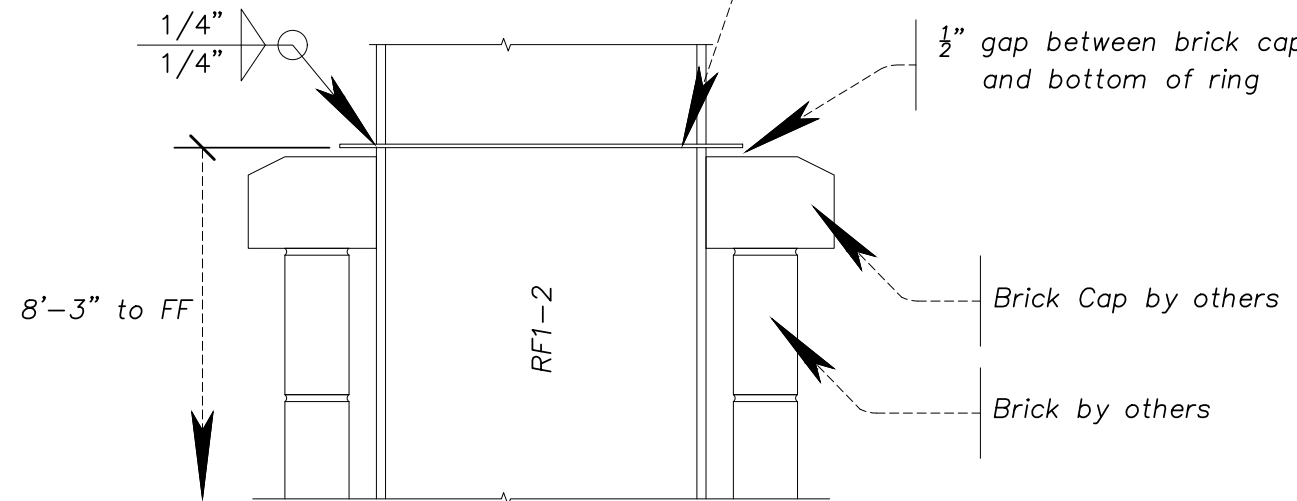
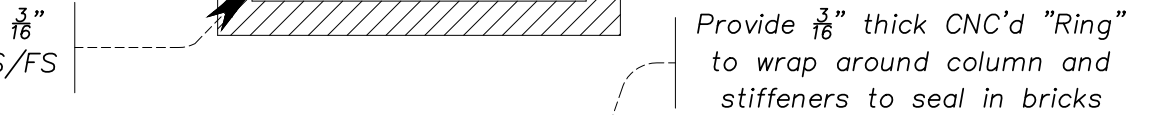
JOB NAME: Rentfro Construction
 PROJECT NAME: Winkler Terminal Canopy
 JOB LOCATION: Wink, TX 79789
 DRAWING TITLE: *RIGID FRAME SECTION*
 DATE: 4/ 9/26 DET: JOB NO.: 26044 PG.: E-10



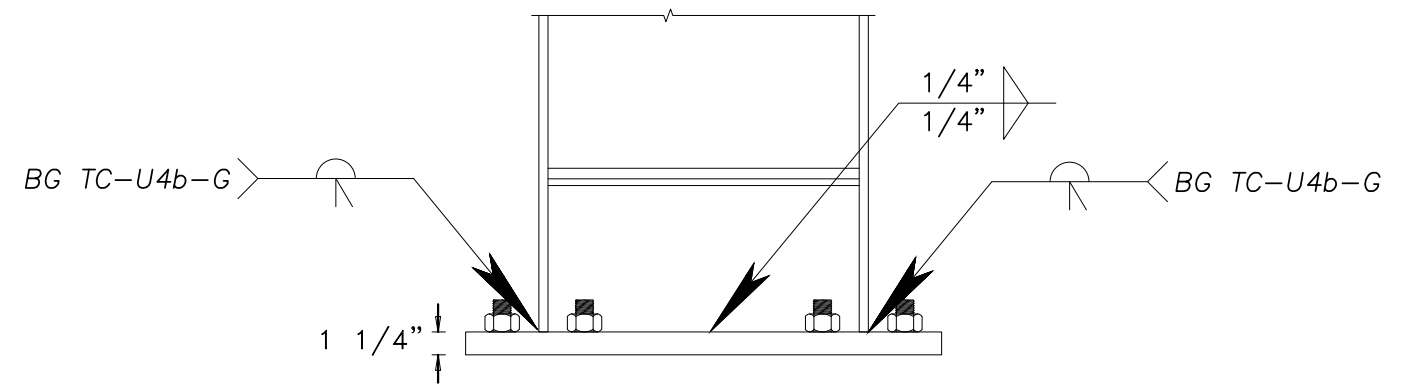
"Ring" to be CNC'd with 1/8" gap between inside of ring and column



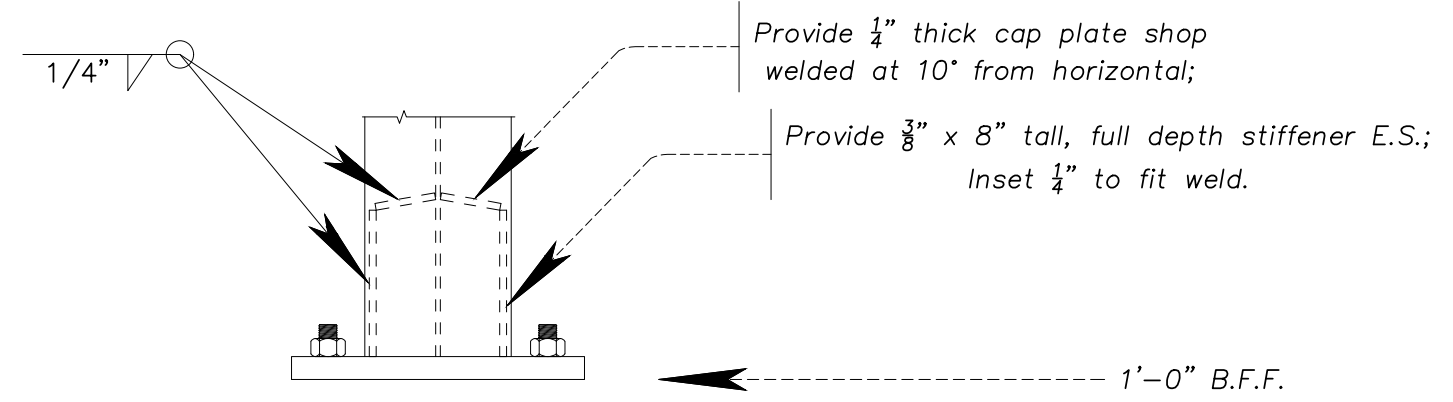
Provide 3 7/8" deep 3/16" thick stiffeners NS/FS



1 Steel Plate Above Brick Detail



2 Interior Column Base Plate Detail



3 Interior Column Base Plate Detail

APPROVAL DRAWINGS

- APPROVED AS DRAWN
- APPROVED AS NOTED
- NOT APPROVED

____ INITIAL

Please Check And Approve All Dimensions And Conditions. STANDARD STRUCTURES Must Be Notified Of Any Changes.

SSI STANDARD STRUCTURES INC.
MANUFACTURER OF METAL BUILDINGS & COMPONENTS

P.O. BOX 1912
ODESSA, TX. 79760
1-800-240-0335



APPROVAL & PERMIT

JOB NAME: Rentfro Construction			
PROJECT NAME: Winkler Terminal Canopy			
JOB LOCATION: Wink, TX 79789			
DRAWING TITLE: DETAIL DRAWINGS			
DATE: 4/ 8/26	DET:	JOB NO.: 26044	PG.: E-11